



293 Wright Street, Delavan, WI 53115

Phone: 800-468-7867

Fax: 800-390-5351

www.simerpump.com

OWNER'S MANUAL

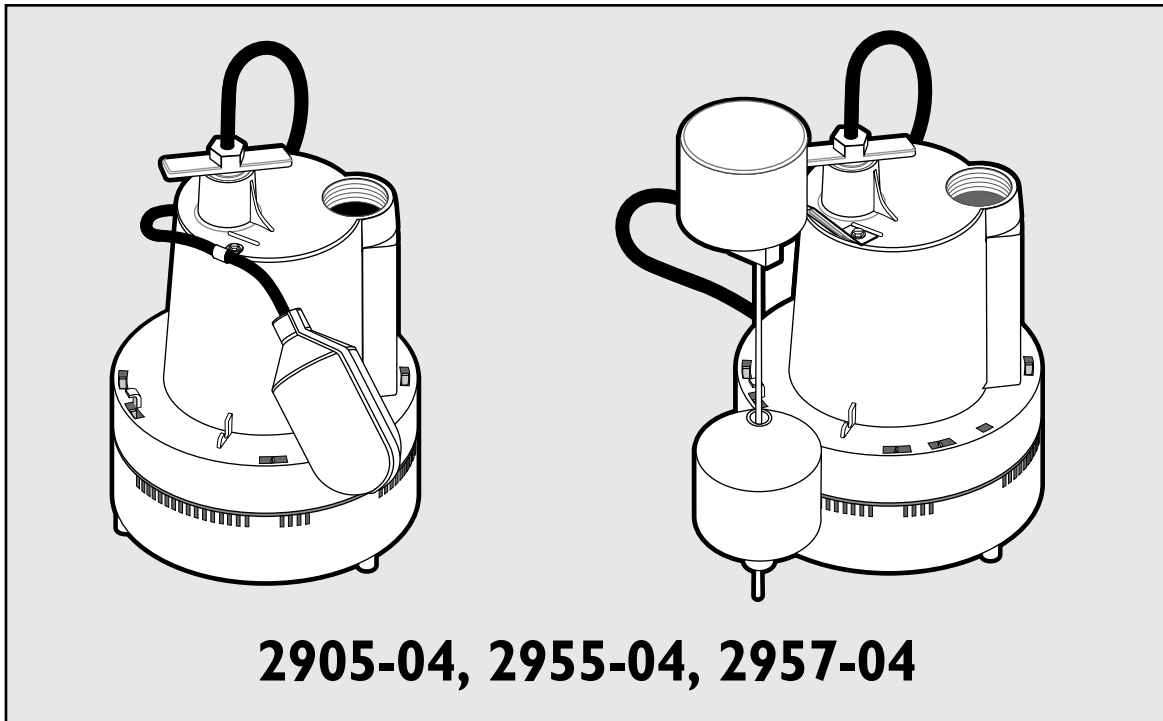
Submersible Sump Pump

NOTICE D'UTILISATION

Pompe de puisard submersible

MANUAL DEL USUARIO

Bomba sumergible de sumidero



Installation/Operation/Parts

For further operating, installation, or maintenance assistance:

Call 800-468-7867

English Pages 2-6

Installation/Fonctionnement/Pièces

Pour plus de renseignements concernant l'utilisation, l'installation ou l'entretien,

Composer le (800) 468-7867

Français Pages 7-11

Instalación/Operación/Piezas

Para mayor información sobre el funcionamiento, instalación o mantenimiento de la bomba:

Llame al 800-468-7867

Español..... Páginas 12-16

Important Safety Instructions

SAVE THESE INSTRUCTIONS - This manual contains important instructions that should be followed during installation, operation, and maintenance of the product. **▲** This is the safety alert symbol. When you see this symbol on your pump or in this manual, look for one of the following signal words and be alert to the potential for personal injury!

▲ DANGER indicates a hazard which, if not avoided, *will* result in death or serious injury.

▲ WARNING indicates a hazard which, if not avoided, *could* result in death or serious injury.

▲ CAUTION indicates a hazard which, if not avoided, *could* result in minor or moderate injury.

NOTICE addresses practices not related to personal injury.

Carefully read and follow all safety instructions in this manual and on pump.

Keep safety labels in good condition. Replace missing or damaged safety labels.

California Proposition 65 Warning

▲ WARNING This product and related accessories contain chemicals known to the State of California to cause cancer, birth defects or other reproductive harm.

1. Know the pump application, limitations, and potential hazards. Pump water only with this pump.
2. **Do not use this pump in water with fish present. If any oil leaks out of the motor it can kill fish.**
3. Disconnect the power before servicing.
4. Release all pressure within the system before servicing any component.
5. Drain all the water from the system before servicing.
6. Secure the discharge line before starting the pump. An unsecured discharge line will whip, possibly causing personal injury and/or property damage.
7. Check hoses for weak or worn condition before each use, making certain that all connections are secure.
8. Periodically inspect the sump, pump and system components. Keep free of debris and foreign objects. Perform routine maintenance as required.
9. Provide a means of pressure relief for pumps whose discharge line can be shut-off or obstructed.
10. Personal Safety:
 - a. Wear safety glasses at all times when working with pumps.
 - b. Keep work area clean, uncluttered and properly lit – replace all unused tools and equipment.
 - c. Keep visitors at a safe distance from work area.
 - d. Make workshop child-proof – with padlocks, master switches, and by removing starter keys.
11. When wiring an electrically driven pump, follow all electrical and safety codes that apply.
12. This equipment is only for use on 115 volt and is equipped with an approved 3-conductor cord and 3-prong, grounding-type plug.

▲ WARNING Risk of electric shock. Can shock, burn or kill. To reduce the risk of electric shock, pull the plug before servicing. Pump is supplied with a grounding conductor and grounding-type attachment plug. Be sure it is connected only to a properly grounded grounding-type receptacle.

Where a 2-prong wall receptacle is encountered, it must be replaced with a properly grounded 3-prong receptacle installed in accordance with codes and ordinances that apply. This pump has not been investigated for use in swimming pool areas.

13. A ground fault circuit interrupter is recommended for use with any electrical appliance submerged in water. Installation and all wiring should be performed by a qualified electrician.
14. Make certain the power source conforms to the requirements of your equipment.
15. Protect the electrical cord from sharp objects, hot surfaces, oils, and chemicals. Avoid kinking the cord. Replace or repair damaged or worn cords immediately.
16. Do not touch an operating motor. Motors can operate at high temperatures.
17. Do not handle the pump or pump motor with wet hands or when standing on a wet or damp surface, or in water.

▲ WARNING Risk of electric shock. Can shock, burn or kill. If your basement has water or moisture on floor, do not walk on the wet area until all power has been turned off. If the shut-off box is in the basement, call electric company or hydro authority to shut-off the service to house, or call your local fire department for instructions. Failure to follow this warning can result in fatal electrical shock.

18. **DO NOT** splice the electrical power cord.
19. **DO NOT** allow the electrical cord plug to be submerged.
20. **DO NOT** use extension cords. They are a fire hazard and can reduce voltage sufficiently to prevent pumping and/or damage motor.
21. Connect or wire the pump to an individual branch circuit with no other outlets or equipment in the circuit. Size fuses or circuit breakers according to the specifications.

Specifications

Power supply required..... 115V, 60 HZ
 Liquid Temp. Range..... 32° F-120° F (0°-49° C)
 Individual Branch Circuit Required..... 15 Amps
 Discharge Adapter 1-1/4" MNPT

Pump water only with this pump.

NOTICE This unit is not designed as a waterfall or fountain pump, or for applications involving salt water or brine! Use with waterfalls, fountains, salt water or brine will void warranty.

Do not use where water recirculates.

Not designed for use as a swimming pool drainer.

Motor, Switch, and Cord Specifications

Model Number	HP	Max. Load Amps	Individual Branch Circuit Required (Amps)	Cord Length	Switch Setting in inches (mm)	
					On	Off
2905-04	1/4	6.0	15	8'	10" (254)	3" (76)
2955-04	1/3	10.0	15	8'	11" (279)	4" (102)
2957-04	1/3	10.0	15	8'	7-1/2" (191)	2-1/2" (64)

Performance

Model	GPM (LPM) AT TOTAL FEET (m)				
	5 (1.5m)	10 (3m)	15 (4.6m)	20 (6.1m)	25 (7.6m)
CAPACITY GALLONS(L)/HOUR					
2905-04	1,170 (4,429)	1,020 (3,840)	810 (3,066)	510 (1,931)	0 (0)
2955-04	1,740	1,620	1,260	720	60
2957-04	(6,600)	(6,120)	(4,740)	(2,700)	(240)

Installation

- Install tethered switch models in a sump pit with a minimum diameter of 14" (356mm). Install vertical switch models in a sump pit with a minimum diameter of 11" (280mm). Construct the sump pit of tile, concrete, steel or plastic. Check the local codes for approved materials.
The pump should not be installed on clay, earth or sand surfaces. Clean the sump pit of small stones and gravel which could clog the pump. Keep the pump suction housing clear of debris.
- Install the pump in the pit so the switch operating mechanism has maximum possible clearance.
- Install an in-line check valve to prevent flow backwards through the pump when the pump shuts off.
- Install the discharge plumbing.**
 - When using rigid pipe, use plastic pipe. Wrap the discharge pipe thread with PTFE pipe thread sealant tape. Screw the pipe into the pump discharge port hand tight +1 – 1-1/2 turns.
NOTICE Do not use ordinary pipe joint compound on plastic pipe. Pipe joint compound can attack plastics.
NOTICE Thread the discharge pipe into the pump body carefully to avoid stripping or crossing threads.
 - If a flexible discharge hose is used, make sure the pump is secured in the sump to prevent movement. Do not use a flexible discharge pipe in any permanent installation.
CAUTION Risk of flooding. Can cause personal injury and/or property damage. Failure to secure pump may allow pump movement, switch interference and prevent pump from starting or stopping.
NOTICE The discharge piping should be as short as possible to reduce pipe friction losses. Discharge pipe diameter should be equal to or larger than the discharge size of the pump. Smaller pipe diameters will restrict the capacity of the pump and reduce pump performance.
- Secure the discharge line before starting the pump.
To reduce motor noise and vibrations, a short length of rubber hose (e.g. radiator hose) can be connected into the discharge line near the pump using suitable clamps.

If the pump discharge line is exposed to outside sub-freezing atmosphere, the portion of the line exposed must be installed so any water remaining in the pipe will drain to the outfall by gravity. Failure to do this can cause any water trapped in the discharge line to freeze which could result in damage to pump.

- Power Supply:** This pump is designed for 115 V., 60 Hz., operation and requires a minimum 15 amp individual branch circuit. Both the pump and switch are supplied with 3-wire cord sets with grounding-type plugs. The switch plug is inserted directly into the outlet and the pump plug inserts into the opposite end of switch plug.

WARNING Risk of electric shock. Can shock, burn or kill. Pump is supplied with a grounding conductor and grounding-type attachment plug. To reduce the risk of electric shock, be certain that it is connected only to a properly grounded, grounding type receptacle such as a grounded water pipe or a properly grounded metallic raceway or ground wire system. Ground terminal on pump cord plug is provided for your protection. **DO NOT REMOVE!**

A ground fault circuit interrupter is recommended for use with any electrical appliance submerged in water. For installation of such a circuit, consult a licensed electrician.

- After the piping and the check valve (if needed) have been installed, the unit is ready for operation
- Check the operation by filling the sump with water and observing pump operation through one complete cycle.

CAUTION Risk of flooding. Can cause personal injury and/or property damage. Failure to make this operational check may lead to flooding and premature failure.

Operation

WARNING Risk of electric shock. Can shock, burn or kill. Do not handle a pump or pump motor with wet hands or when standing on wet or damp surface, or in water.

- Keep the pump inlet screen clear.
- The shaft seal depends on water for lubrication. Do not operate the pump unless it is submerged in water as the seal may be damaged if the pump is allowed to run dry.
- The motor is equipped with an automatic reset thermal protector. If the temperature in the motor should rise unduly, the switch will cut off all of the power before any damage can be done to the motor. When the motor has cooled sufficiently, the switch will reset automatically and restart the motor. If the protector trips repeatedly, the pump should be removed and checked for the cause of the difficulty. Low voltage, long extension cords, a clogged impeller, very low head or lift, etc., could cause cycling. Refer to the "Troubleshooting Chart".

- Periodically inspect the pump, system components and sump for debris and foreign objects. Keep the sump free of all refuse. Perform routine maintenance as required.

CAUTION Risk of flooding. Can cause personal injury and/or property damage. This pump comes with the automatic float switch mounted on the motor cover ready for operation. Do not change switch settings. Refer to the “Motor, Switch & Cord Specifications” chart for switch settings.

Maintenance

To Clean the Pump Screen:

NOTICE Attempting to disassemble motor will void warranty.

WARNING Risk of electric shock. Can shock, burn or kill. Always unplug the pump from the power source before servicing any system component. Do not lift pump by power cord.

- Disconnect power before servicing.

WARNING Risk of electric shock. Can shock, burn or kill. When servicing the system always disconnect power cord from the electrical outlet.

- Loosen the discharge pipe.
- Use the pump handle to lift the pump out of the sump pit and place the pump on a clean level surface.

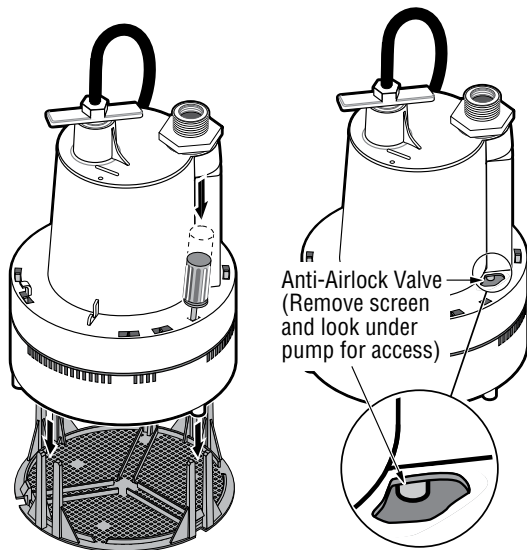


Figure 1 – To clean the screen and anti-airlock valve.

- To clean the screen, use a screwdriver to unsnap the screen, remove and rinse off the screen.
- Re-install the screen. Be sure all the snaps catch.
- Put the pump back into the sump pit.
- Re-install the discharge pipe.
- Check the system operation by filling the basin with water and observing the pump’s operation through one complete cycle.

CAUTION Risk of flooding. Can cause personal injury and/or property damage. Failure to make this operational check can lead to improper operation, premature pump failure and flooding.

To Replace the Vertical Float Switch:

NOTICE The float must be able to complete its entire cycle without interference from any other object.

- Mount the bracket on the switch housing with the bracket mounting screws.

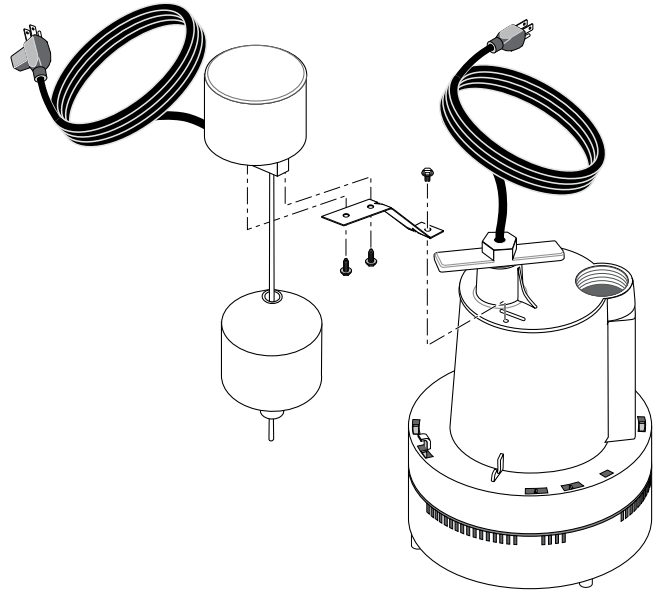


Figure 2 - Vertical Float Switch Replacement.

NOTICE Make sure the pin holds the float rod in the switch housing; otherwise the pump will not shut off.

NOTICE Pull gently on the rod to make sure that it cannot come out of the switch housing.

- Mount the switch assembly on the pump with the screw provided.
- Run the pump through one complete cycle to verify switch operation is correct and that nothing interferes with the switch’s operation.

CAUTION Risk of flooding. Can cause personal injury and/or property damage. Failure to make this operational check can lead to improper operation, premature pump failure and flooding.

Airlocks

When a pump airlocks, it runs but does not move any water. An airlock will cause the pump to overheat and fail.

This pump has a small hole in the side of the pump housing. This is an anti-airlock valve. If you suspect an airlock, insert a hat pin or a pipe cleaner into the anti-airlock hole to clean out the debris.

Symptom	Probable Cause(s)	Corrective Action
Pump won't start or run.	Blown fuse or breaker. Low line voltage. Defective motor. Defective float switch. Float obstructed.	If blown, replace with fuse of proper size or reset breaker. If voltage under recommended minimum, check size of wiring from main switch on property. If OK, contact power company or hydro authority. Replace pump. Replace float switch. Remove obstruction.
Pump starts and stops too often.	Backflow of water from piping. Faulty float switch.	Install or replace check-valve. Replace float switch.
Pump won't shut off.	Defective float switch. Restricted discharge (obstacle in piping). Float obstructed.	Replace float switch. Remove pump and clean pump and piping. Remove obstruction.
Pump operates but delivers little or no water.	Low line voltage. Worn or plugged impeller. Anti airlock vent hole is plugged.	If voltage under recommended minimum, check size of wiring from main switch on property. If OK, contact power company or hydro authority. Replace pump. Clean out the vent hole with a hat pin or pipe cleaner.

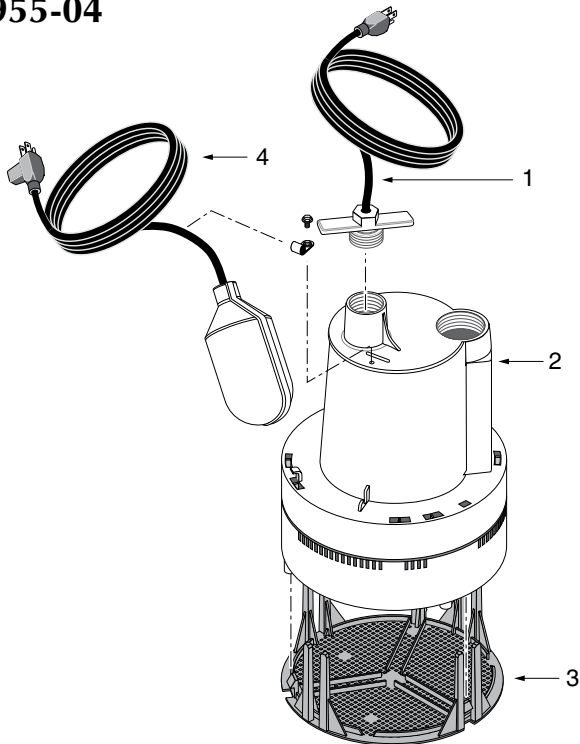
Repair Parts List

Key No.	Part Description	Qty.	2905-04	2955-04	2957-04
1	Power Cord	1	PS117-54-TSU	PS117-54-TSU	PS117-54-TSU
2	Cover, Motor Assembly	1	**	**	**
3	Inlet Screen	1	PS18-128P	PS18-127P	PS18-127P
4	Switch Assembly	1	FP18-15BD-P2	FP18-15BD-P2	FPS17-66*

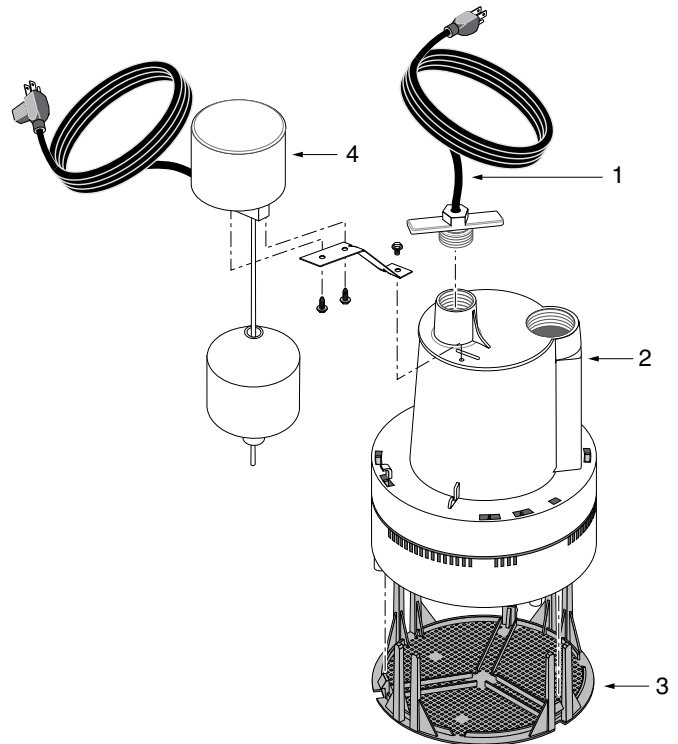
* Replacement vertical switch must be mounted on discharge pipe.

** If the motor fails, replace the pump.

2905-04 2955-04



2957-04



Retain Original Receipt For Warranty Eligibility

Limited Warranty

This Limited Warranty is effective June 1, 2011 and replaces all undated warranties and warranties dated before June 1, 2011. SIMER warrants to the original consumer purchaser ("Purchaser" or "You") that its products are free from defects in material and workmanship for a period of twelve (12) months from the date of the original consumer purchase. If, within twelve (12) months from the original consumer purchase, any such product shall prove to be defective, it shall be repaired or replaced at SIMER's option, subject to the terms and conditions set forth herein. Note that this limited warranty applies to manufacturing defects only and not to ordinary wear and tear. All mechanical devices need periodic parts and service to perform well. This limited warranty does not cover repair when normal use has exhausted the life of a part or the equipment.

The original purchase receipt and product warranty information label are required to determine warranty eligibility. Eligibility is based on purchase date of original product – not the date of replacement under warranty. The warranty is limited to repair or replacement of original purchased product only, not replacement product (i.e. one warranty replacement allowed per purchase). Purchaser pays all removal, installation, labor, shipping, and incidental charges.

For parts or troubleshooting assistance, DO NOT return product to your retail store. Contact SIMER Customer Service at 1-800-468-7867.

Claims made under this warranty shall be made by returning the product (except sewage pumps, see below) to the retail outlet where it was purchased or to the factory immediately after the discovery of any alleged defect. SIMER will subsequently take corrective action as promptly as reasonably possible. No requests for service will be accepted if received more than 30 days after the warranty expires. Warranty is not transferable and does not apply to products used in commercial/rental applications.

Sewage Pumps

DO NOT return a sewage pump (that has been installed) to your retail store. Contact SIMER Customer Service. Sewage pumps that have seen service and been removed carry a contamination hazard with them.

If your sewage pump has failed:

- Wear rubber gloves when handling the pump;
- For warranty purposes, return the pump's cord tag and original receipt of purchase to the retail store;
- Dispose of the pump according to local disposal ordinances.

Exceptions to the Twelve (12) Month Limited Warranty

Product	Warranty Period
BW85P, M40P	90 days
2115, 2300, 2310, 2330, 2943, 2955, 2956, 2957, A5500	2 Years
4" Submersible Well Pumps, 2945, 2958, 2975PC, 3075SS, 3963, 3984, 3995	3 Years
Pre-Charged Pressure Tanks, 3985, 3986, 3988, 3989, 5910, 5950, 5955, 5965, 5975	5 Years

General Terms and Conditions; Limitation of Remedies

You must pay all labor and shipping charges necessary to replace product covered by this warranty. This warranty does not apply to the following: (1) acts of God; (2) products which, in SIMER's sole judgement, have been subject to negligence, abuse, accident, misapplication, tampering, or alteration; (3) failures due to improper installation, operation, maintenance or storage; (4) atypical or unapproved application, use or service; (5) failures caused by corrosion, rust or other foreign materials in the system, or operation at pressures in excess of recommended maximums.

This warranty sets forth SIMER's sole obligation and purchaser's exclusive remedy for defective products.

SIMER SHALL NOT BE LIABLE FOR ANY CONSEQUENTIAL, INCIDENTAL, OR CONTINGENT DAMAGES WHATSOEVER.


THE FOREGOING WARRANTIES ARE EXCLUSIVE AND IN LIEU OF ALL OTHER EXPRESS AND IMPLIED WARRANTIES, INCLUDING BUT NOT LIMITED TO THE IMPLIED WARRANTIES OF MERCHANTABILITY AND FITNESS FOR A PARTICULAR PURPOSE. THE FOREGOING WARRANTIES SHALL NOT EXTEND BEYOND THE DURATION PROVIDED HEREIN.


Some states do not allow the exclusion or limitation of incidental or consequential damages or limitations on how long an implied warranty lasts, so the above limitations or exclusions may not apply to You. This warranty gives You specific legal rights and You may also have other rights which vary from state to state.

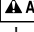
SIMER • 293 Wright Street • Delavan, WI U.S.A. 53115
Phone: 800-468-7867 • Fax: 800-390-5351 • www.simerpump.com

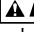
Directives de sécurité importantes

Conservez ces directives – Ce manuel renferme d'importantes directives qu'il faut suivre durant l'installation et l'entretien de la pompe.

Ce symbole  indique qu'il faut être prudent. Lorsque ce symbole apparaît sur la pompe ou dans cette Notice, rechercher une des mises en garde qui suivent, car elles indiquent un potentiel de blessures corporelles!

Le mot signal  **DANGER** indique un danger qui, s'il n'est pas évité, causera la mort ou des blessures graves.

Le mot signal  **AVERTISSEMENT** indique un risque qui, s'il n'est pas évité, pourrait causer la mort ou des blessures graves.

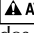
Le mot signal  **ATTENTION** indique un risque qui, s'il n'est pas évité, pourrait causer des blessures mineures ou modérées.

Le mot **AVIS** est utilisé pour les pratiques qui ne sont pas reliées aux blessures personnelles.


Lire attentivement toutes les consignes de sécurité contenues dans cette Notice ou collées sur la pompe.

Garder les autocollants de sécurité en bon état; les remplacer s'ils manquent ou s'ils ont été endommagés.

Avertissement lié à la Proposition 65 de la Californie

 **AVERTISSEMENT** Ce produit et les accessoires connexes contiennent des produits chimiques reconnus dans l'État de la Californie comme pouvant provoquer des cancers, des anomalies congénitales ou d'autres dangers relatifs à la reproduction.


- Il faut connaître les utilisations de la pompe, ses limites et les dangers potentiels que présentent son utilisation. Ne pomper que de l'eau avec cette pompe.
- Ne pas utiliser cette pompe s'il y a présence de poissons dans l'eau. Une fuite d'huile provenant du moteur pourrait tuer les poissons.**
- S'assurer que le courant alimentant la pompe a été coupé avant d'intervenir sur la pompe.
- Dissiper toute la pression du système avant d'intervenir sur un composant du système.
- Vider toute l'eau contenue dans le système avant de procéder à un entretien.
- Immobiliser le tuyau de refoulement avant de démarrer la pompe. Un tuyau de refoulement non immobilisé se mettra à fouetter et risquera d'éclater ou d'entraîner des dégâts matériels et/ou causer des blessures corporelles.
- Avant d'utiliser la pompe, s'assurer que les tuyaux ne sont pas défectueux, qu'ils ne comportent pas de signes d'usure et que tous les raccords sont bien serrés.
- Inspecter périodiquement le puisard, la pompe et les composants du système. Les débarrasser des débris et des corps étrangers. Effectuer l'entretien périodique comme il est indiqué.
- Prévoir un système de dissipation de la pression sur les pompes dont le tuyau de refoulement risque d'être fermé ou obstrué.
- Sécurité personnelle :
 - Toujours porter des lunettes de sécurité pour intervenir sur la pompe.
 - Garder la zone de travail propre, non encombrée et bien éclairée – remettre en place tous les outils et tous les équipements que l'on n'utilise plus.
 - Ne laisser personne s'approcher de la zone de travail.
 - La zone de travail doit être à l'épreuve des enfants, c.-à-d. qu'elle doit être sécuritaire en posant des cadenas, des interrupteurs principaux et en retirant les clés des démarreurs.
- Lorsque l'on branche une électropompe sur le courant, toujours respecter les codes de sécurité et de l'électricité en vigueur.
- Cette pompe ne fonctionne que sur le courant alternatif de 115 volts et elle est équipée d'un cordon électrique approuvé à 3 conducteurs muni d'une fiche à 3 broches, dont une de mise à la terre.

 **AVERTISSEMENT** **Risque de secousses électriques.** Pouvant causer des brûlures, voire la mort. Pour réduire les risques de secousses électriques, débrancher la fiche du cordon électrique de la prise de courant avant d'intervenir sur la pompe. Cette pompe n'a pas été mise à l'essai pour être utilisée en tant que pompe de piscine. La pompe est livrée avec un conducteur de mise à la terre et une fiche à trois broches. Cette fiche ne doit être branchée que dans une prise de courant à trois trous adéquatement mise à la terre.

Si la prise de courant ne comporte que 2 trous, elle devra être remplacée par une prise de courant à 3 trous dont un de mise à la terre. De plus, elle devra être posée conformément aux codes et aux règlements en vigueur.

Cette pompe n'a pas été mise à l'essai pour être utilisée aux alentours d'une piscine.

- Il est recommandé d'utiliser un disjoncteur de fuite à la terre avec tous les appareils électriques immergés dans l'eau. Toute l'installation et tout le câblage doivent être effectués par un électricien qualifié.
- S'assurer que le courant alimentant la pompe est conforme aux caractéristiques de la pompe.
- Protéger le cordon électrique de la pompe contre les objets tranchants, les surfaces chaudes, l'huile et les produits chimiques. Éviter de tortiller le cordon électrique. Le remplacer ou le réparer immédiatement s'il est usé ou endommagé.
- Ne pas toucher au moteur de la pompe pendant qu'elle fonctionne. Motors can operate at high temperatures.
- Ne pas manipuler une pompe ni son moteur si on a les mains humides ou si on se tient debout sur une surface mouillée, humide ou dans l'eau.

 **AVERTISSEMENT** **Risque de secousses électriques.** Pouvant causer des brûlures, voire la mort. Si le plancher du sous-sol est humide ou recouvert d'eau, ne pas marcher dessus tant que le courant n'aura pas été coupé. Si la boîte des disjoncteurs se trouve au sous-sol, appeler la compagnie d'électricité pour lui demander de couper le branchement de l'habitation ou appeler le service des incendies local pour de plus amples renseignements. Si on ne respecte pas cet avertissement, on risque d'être mortellement électrocuté.

- NE PAS** épisser le cordon électrique.
- NE PAS** permettre à la fiche du cordon électrique d'être immergée.
- NE PAS** utiliser un cordon prolongateur, car une telle pratique présente un risque d'incendie et la tension peut être suffisamment réduite au point d'empêcher l'eau d'être pompée et/ou d'endommager le moteur.
- Brancher la pompe ou la câbler sur un circuit de dérivation séparé sur lequel aucun autre équipement ou prise de courant ne sera branché. Size fuses or circuit breakers according to the specifications.

Caractéristiques

Courant d'alimentation requis..... 115 V, 60 Hz
 Gamme des températures
 du liquide pompé de 0 ° à 49 °C (de 32 °F à 120 °F)
 Intensité minimum du circuit..... 15 ampères
 Adaptateur de refoulement 1 1/4 po MNPT

Ne pomper que de l'eau avec cette pompe.

AVIS Cette pompe n'est pas conçue pour être utilisée en tant que pompe de fontaine ou de chute d'eau ni dans des eaux salées ou de saumure! Son utilisation avec une chute d'eau, une fontaine, de l'eau salée ou de saumure annulera la garantie.

Ne pas utiliser où de l'eau recircule.

Cette pompe n'est pas conçue pour vider les piscines.

Caractéristiques du moteur, de l'interrupteur et du cordon électrique

Numéro du modèle	ch	Charge maximum (en ampères)	Circuit de dérivation séparé requis (en ampères)	Longueur du cordon électrique	Réglages de l'interrupteur en pouces (mm)	
					Marche	Arrêt
2905-04	1/4	6,0	15	8'	10 po (254)	3 po (76)
2955-04	1/3	10,0	15	8'	11 po (279)	4 po (102)
2957-04	1/3	10,0	15	8'	7-1/2 po (191)	2-1/2 po (64)

Débites

Modèle	Gal/min (L/min) POMPÉS À LA HAUTEUR TOTALE DE REFOULEMENT EN PIEDS (m)				
	5 (1,5m)	10 (3m)	15 (4,6m)	20 (6,1m)	25 (7,6m)
	GALLONS(L)/HAUTEUR				
2905-04	1,170 (4,429)	1,020 (3,840)	810 (3,066)	510 (1,931)	0 (0)
2955-04	1,740 (6,600)	1,620 (6,120)	1,260 (4,740)	720 (2,700)	60 (240)
2957-04					

Installation

1. Installer les modèles à interrupteur à cordon dans un puisard ayant un diamètre minimal de 14 po (356 mm). Installer les modèles à interrupteur vertical dans un puisard ayant un diamètre minimal de 11 po (280 mm). Le puisard doit être construit en carreaux, en béton, en acier ou en plastique. Consulter les codes de la municipalité pour connaître les matériaux approuvés.

La pompe ne doit pas être posée sur une surface en glaise, en terre ou en sable. Enlever les petites pierres et le gravier du fond du puisard pour qu'ils ne bouchent pas la pompe. La crépine d'aspiration de la pompe doit toujours être débarrassée des corps étrangers.

2. Installer la pompe dans le puisard permettant d'obtenir un dégagement maximum pour le fonctionnement de l'interrupteur à flotteur.
3. Poser un clapet de non retour en ligne pour que l'eau ne retourne pas dans la pompe lorsqu'elle s'arrêtera.
4. **Branchement du tuyau de refoulement.**

A. Utiliser un tuyau rigide en plastique et envelopper les filets du tuyau de ruban d'étanchéité en PTFE pour filetage. À la main, visser le tuyau de refoulement sur la pompe, puis le serrer fermement de 1 tour à 1 1/2 tour de plus.

AVIS Ne pas utiliser de pâte pour raccords filetés sur les tuyaux en plastique, car elle risque d'attaquer le plastique.

AVIS Visser prudemment le tuyau de refoulement dans le corps de la pompe en faisant bien attention de ne pas arracher ni fausser les filets.

- B. Si on utilise un tuyau de refoulement souple, s'assurer que la pompe est immobilisée en toute sécurité dans le puisard pour l'empêcher de se déplacer. Ne pas utiliser un tuyau de refoulement souple si l'installation est permanente.

ATTENTION **Risque d'inondation.** Peut causer le mauvais fonctionnement ou une panne prématurée de la pompe. Si on n'immobilise pas adéquatement la pompe, elle risque de se déplacer, l'interrupteur à flotteur risque de ne pas fonctionner adéquatement et la pompe risque de ne pas démarrer ou de ne pas s'arrêter.

AVIS Le tuyau de refoulement doit être aussi court que possible pour minimiser les pertes de charge par frottement. Le diamètre du tuyau de refoulement doit être le même, sinon plus gros, que le diamètre de l'orifice de refoulement de la pompe. Un tuyau de diamètre plus petit limitera le débit de la pompe, ce qui minimisera son rendement.

- C. Immobiliser le tuyau de refoulement avant de démarrer la pompe. Pour réduire le bruit que pourrait faire le moteur et les vibrations qu'il produit, un petit morceau de tuyau en caoutchouc (une durite de radiateur, par ex.) pourra être branché sur le tuyau de

refoulement, près de la pompe.

Si le tuyau de refoulement de la pompe risque d'être exposé au gel, l'installer de façon que la partie exposée au gel puisse se vider par gravité. Si l'on ne respecte pas cette recommandation, l'eau risque de rester emprisonnée dans le tuyau de refoulement et de geler, ce qui endommagera la pompe.

5. **Courant électrique :** Cette pompe est conçue pour fonctionner sur le courant alternatif de 115 V, 60 Hz et sur un circuit séparé de 15 ampères minimum. La pompe et l'interrupteur à flotteur sont munis de cordons à 3 conducteurs, eux mêmes munis d'une fiche de mise à la terre. La fiche de l'interrupteur à flotteur se branche directement dans la prise de courant et la fiche de la pompe se branche à l'arrière de la fiche de l'interrupteur à flotteur.

AVERTISSEMENT **Risque de secousses électriques.** Pouvant causer des brûlures, voire la mort. La pompe est livrée avec un conducteur et une fiche de mise à la terre. Pour réduire les risques de secousses électriques, s'assurer que la pompe n'est branchée que dans un dispositif de mise à la terre, adéquatement mis à la terre, comme un tuyau d'eau mis à la terre ou un chemin de câbles métallique adéquatement mis à la terre, ou un système de fil de mise à la terre. À des fins de protection, le cordon électrique de la pompe est muni d'une fiche dotée d'une broche de mise à la terre. **NE JAMAIS ENLEVER CETTE BROCHE!**

Il est recommandé de brancher tous les appareils électriques immergés dans l'eau sur un circuit protégé par un disjoncteur de fuite à la terre. Pour l'installation d'un tel circuit, s'adresser à un électricien qualifié.

6. Après avoir branché les tuyaux et posé un clapet de non retour (le cas échéant), la pompe est prête à fonctionner.
7. Vérifier le fonctionnement de la pompe en remplissant le puisard d'eau et en observant le fonctionnement de la pompe sur un cycle complet.

ATTENTION **Risque d'inondation.** Peut causer le mauvais fonctionnement ou une panne prématurée de la pompe. Ne pas procéder à cette vérification de fonctionnement peut causer un fonctionnement inadéquat, à une panne prématurée de la pompe et une inondation.

Fonctionnement

AVERTISSEMENT **Risque de secousses électriques.** Pouvant causer des brûlures, voire la mort. Ne pas manipuler la pompe ni le moteur de la pompe si on a les mains humides ou lorsqu'on se tient debout sur une surface humide ou trempée ou lorsqu'on se tient dans l'eau.

1. Toujours tenir la crépine d'aspiration de la pompe dégagée de tout débris.
2. Le joint de l'arbre dépend de l'eau pour sa lubrification. Ne pas faire fonctionner la pompe si elle n'est pas immergée dans l'eau. Le joint de la pompe sera endommagé si la pompe fonctionne à sec.
3. Le moteur est équipé d'un dispositif de protection thermique à réenclenchement automatique. Si la température du moteur devait s'élever exagérément, le disjoncteur coupera le courant alimentant le moteur avant que le moteur soit endommagé. Dès que le moteur aura suffisamment refroidi, le disjoncteur se réenclenchera automatiquement et le moteur redémarrera. Si le dispositif de protection contre les surcharges se déclenche de façon répétitive, déterminer la pompe et déterminer la cause de l'incident. Une tension trop basse, des cordons prolongateurs trop longs, un impulseur bouché, une hauteur de refoulement trop basse, etc. peuvent être la cause de ce cyclage. Pour de plus amples renseignements, se reporter au tableau "Recherche des pannes".

4. Inspecter périodiquement la pompe, les composants du système et le puisard à la recherche de débris et de corps étrangers. Garder le puisard toujours débarrassé des débris. Procéder à l'entretien périodique comme il est stipulé.

⚠ ATTENTION **Risque d'inondation.** Peut causer le mauvais fonctionnement ou une panne prématurée de la pompe. Cette pompe, qui est livrée prête à être utilisée, est dotée d'un interrupteur à flotteur à fonctionnement automatique monté sur le couvercle du moteur. Ne pas modifier les réglages de l'interrupteur. Pour connaître les réglages de l'interrupteur, se reporter au tableau « Caractéristiques du moteur, de l'interrupteur et du cordon électrique ».

Entretien

Pour nettoyer la crépine de la pompe

AVIS Essayer de démonter le moteur annulera la garantie.

⚠ AVERTISSEMENT **Risque de secousses électriques.** Pouvant causer des brûlures, voire la mort. Toujours débrancher la pompe du courant avant d'intervenir sur un composant du système. Ne jamais lever la pompe par son cordon électrique.

1. Avant d'intervenir sur la pompe, couper le courant qui l'alimente.

⚠ AVERTISSEMENT **Risque de secousses électriques.** Pouvant causer des brûlures, voire la mort. Avant d'intervenir sur le système, toujours débrancher le cordon électrique de la prise de courant.

2. Desserrer le tuyau de refoulement.
3. Lever la pompe par sa poignée pour la sortir du puisard, puis la poser sur une surface propre et de niveau.
4. Pour nettoyer la crépine, utiliser un tournevis pour la dégraffer (se reporter à la Figure 1), retirer et rincer la crépine.

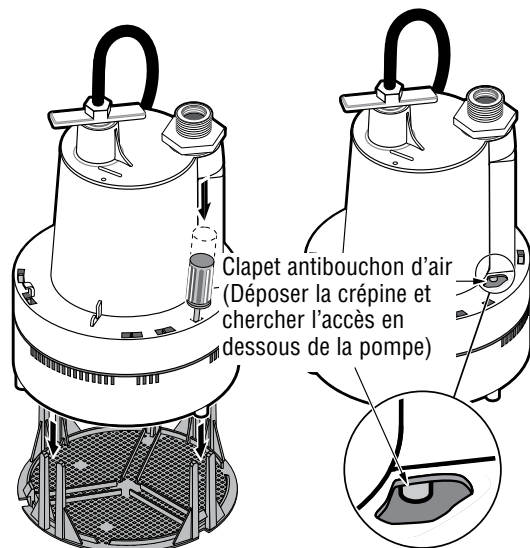


Figure 1 - Pour nettoyer la crépine et le clapet antibouchon d'air.

5. Reposer la crépine. S'assurer que tous les fermoirs sont bien serrés.
6. Remettre la pompe dans le puisard.
7. Rebrancher le tuyau de refoulement.
8. Vérifier le fonctionnement du système en remplissant le puisard d'eau et en observant le fonctionnement de la pompe sur un cycle complet.

⚠ ATTENTION **Risque d'inondation.** Peut causer le mauvais fonctionnement ou une panne prématurée de la pompe. Ne pas procéder à cette vérification de fonctionnement risque de causer un mauvais fonctionnement et une panne prématurée de la pompe, ainsi qu'une inondation.

Pour remplacer un interrupteur à flotteur vertical

AVIS Le flotteur doit pouvoir se déplacer sur tout son arc sans être gêné d'autres objets.

1. À l'aide des vis de fixation, poser le support sur le boîtier de l'interrupteur. Se reporter à la Figure 2.

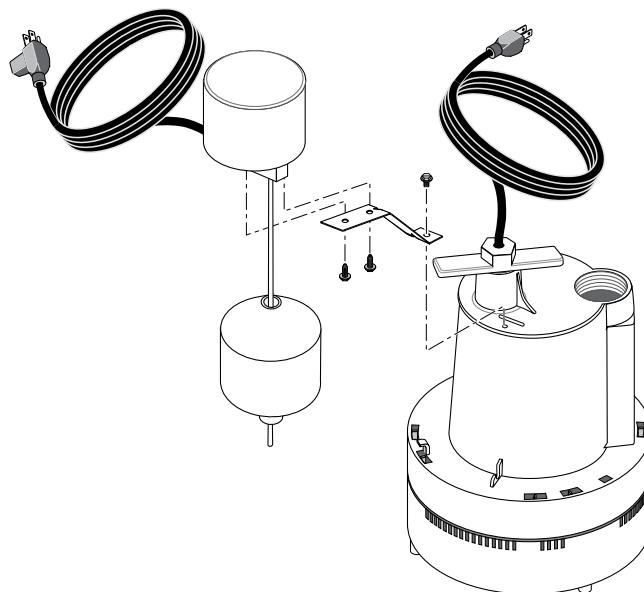


Figure 2 – Remplacement de l'interrupteur à flotteur vertical

AVIS S'assurer que l'axe retient bien la tige dans le boîtier du flotteur; sinon la pompe ne s'arrêtera pas de fonctionner.

AVIS Tirer prudemment sur la tige pour s'assurer qu'elle ne puisse pas se détacher du boîtier de l'interrupteur.

2. Poser l'interrupteur sur la pompe à l'aide des vis fournies.
3. Faire fonctionner la pompe sur un cycle complet pour vérifier le bon fonctionnement de l'interrupteur et s'assurer que rien ne gêne le fonctionnement de l'interrupteur.

⚠ ATTENTION **Risque d'inondation.** Peut causer le mauvais fonctionnement ou une panne prématurée de la pompe. Ne pas procéder à cette vérification de fonctionnement risque de causer un mauvais fonctionnement et une panne prématurée de la pompe, ainsi qu'une inondation.

Bouchons d'air

Si des bouchons d'air se forment dans la pompe, la pompe continuera de fonctionner mais ne débitera pas d'eau. Un bouchon d'air peut causer la surchauffe de la pompe, et éventuellement sa panne.

Un petit trou est pratiqué dans le corps de cette pompe. Se reporter à Figure 1. C'est ce qu'on appelle un clapet antibouchon d'air. Si on soupçonne qu'il y a un bouchon d'air, introduire une épingle ou du nettoyant de tuyau dans le trou antibouchon d'air pour enlever les débris.

Symptômes	Causes possibles	Remèdes
La pompe ne démarre pas ou ne fonctionne pas.	Fusible sauté disjoncteur désarmé. Tension de ligne basse. Moteur défectueux. Interrupteur à flotteur défectueux. Flotteur obstrué.	Le remplacer par un fusible de calibre adéquat ou réarmer le disjoncteur Si la tension est inférieure à la tension minimum recommandée, vérifier le calibre des conducteurs côté disjoncteur principal de la propriété. Si le calibre des conducteurs est bon, s'adresser à la compagnie d'électricité. Remplacer la pompe. Remplacer l'interrupteur à flotteur. Enlever l'obstruction.
La pompe démarre et s'arrête trop souvent.	Circulation à contre-courant de l'eau dans les tuyaux. Interrupteur à flotteur défectueux.	Poser un clapet de non retour ou le remplacer. Remplacer l'interrupteur à flotteur.
La pompe ne s'arrête pas.	Interrupteur à flotteur défectueux. Refoulement obstrué (obstruction dans le tuyau). Flotteur obstrué.	Remplacer l'interrupteur à flotteur. Déposer la pompe et la nettoyer ainsi que les tuyaux. Enlever l'obstruction.
La pompe fonctionne mais ne débite pas d'eau ou débite très peu d'eau.	Tension de ligne basse. Pièces usées ou bien impulseur bouché. Trou antibouchon d'air bouché.	Si la tension est inférieure à la tension minimum recommandée, vérifier le calibre des conducteurs côté interrupteur principal de la propriété. Si le calibre des conducteurs est bon, s'adresser à la compagnie d'électricité. Remplacer la pompe. Nettoyer le trou antibouchon d'air avec une épingle ou du nettoyant de tuyau.

Liste de pièces de rechange

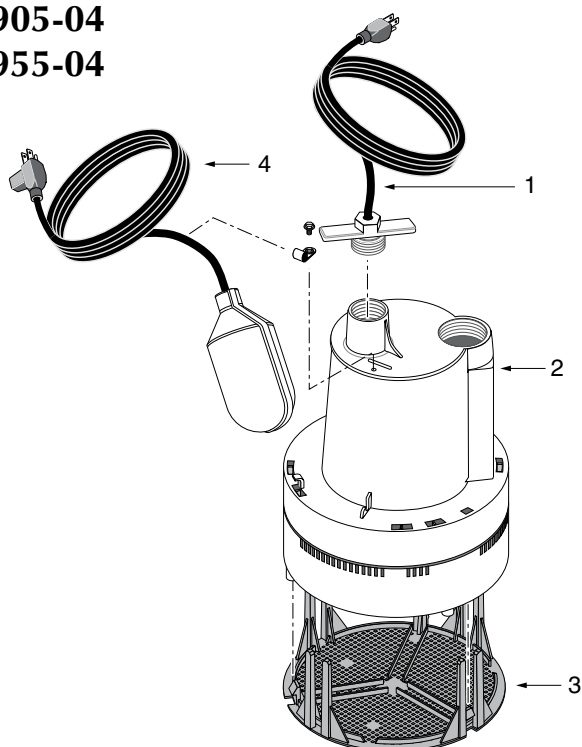
Réf.	Désignation	Qté	2905-04	2955-04	2957-04
1	Cordon électrique	1	PS117-54-TSU	PS117-54-TSU	PS117-54-TSU
2	Couvercle du moteur	1	**	**	**
3	Crépine d'aspiration	1	PS18-128P	PS18-127P	PS18-127P
4	Interrupteur	1	FP18-15BD-P2	FP18-15BD-P2	FPS17-66*

* L'interrupteur vertical de rechange doit être monté sur le tuyau de refoulement.

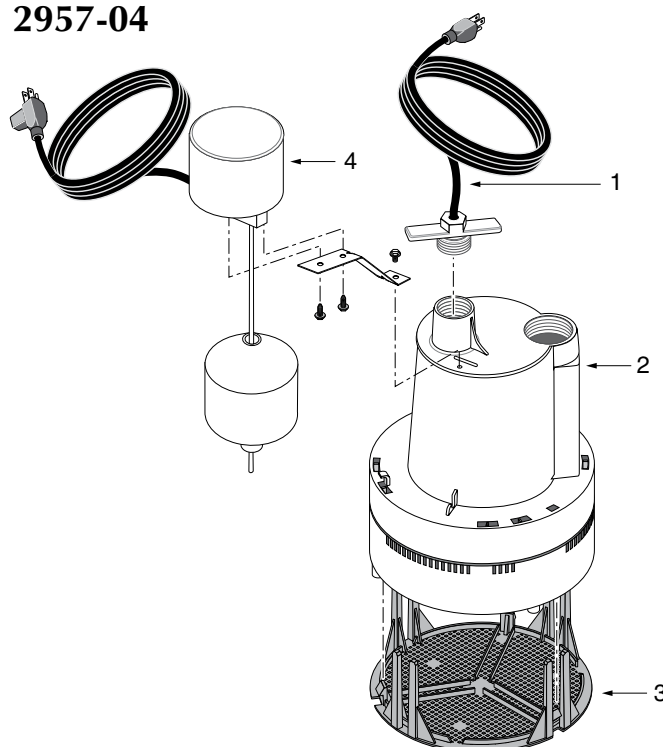
** Si le moteur tombe en panne, remplacer la pompe au complet.

2905-04

2955-04



2957-04



Conservé le reçu de caisse original aux fins d'admissibilité à la garantie

Garantie limitée

La présente garantie limitée est entrée en vigueur le 1er juin 2011 et remplace toute garantie non datée ou antérieure à cette date. SIMER garantit à l'acheteur/au consommateur d'origine (l'Acheteur) que ses produits sont exempts de tout vice de matériau et de fabrication. Cette garantie est valable pendant douze (12) mois à partir de la date d'achat d'origine. Si, dans les douze (12) mois suivant la date d'achat d'origine, un produit se révèle défectueux, il doit être réparé ou remplacé, à la discrétion de SIMER, selon les modalités énoncées aux présentes. Il est à noter que la présente garantie limitée s'applique aux défauts de fabrication seulement. Elle ne couvre pas l'usure normale. Tout dispositif mécanique doit faire l'objet d'un entretien périodique pour veiller à son bon fonctionnement. La présente garantie limitée ne couvre pas les réparations attribuables à l'usure normale d'une pièce ou de l'équipement.

Le reçu de caisse original et l'étiquette d'information sur la garantie sont nécessaires pour déterminer l'admissibilité à la garantie. Cette dernière est établie en fonction de la date d'achat de l'article et non de la date de son remplacement sous garantie. La garantie se limite à la réparation ou au remplacement de l'article original seulement et ne couvre pas l'article de rechange (c.-à-d. un article remplacé sous garantie par achat). L'Acheteur assume les frais de retrait, d'installation, de transport et tous les frais accessoires.

Pour obtenir des pièces ou de l'aide technique, NE PAS retourner le produit au détaillant. Contacter le service à la clientèle de SIMER au 1 800 468-7867.

Toute demande de règlement en vertu de la présente garantie doit être faite en retournant l'article (à l'exception des pompes de puisard; voir la marche à suivre ci-dessous) au magasin où celui-ci a été acheté ou à l'usine dès qu'une défectuosité est soupçonnée. SIMER prendra les mesures correctives nécessaires dans un délai rapide et raisonnable. Aucune demande de réparation ne sera acceptée plus de 30 jours après l'expiration de la garantie.

La garantie ne peut être cédée et ne s'applique pas aux produits utilisés à des fins commerciales ou de location.

Pompes d'eaux d'égout

NE PAS RETOURNER une pompe d'eaux d'égout (qui a été installée) au détaillant. Communiquer avec le service à la clientèle de SIMER. Les pompes d'eaux d'égout qui ont été utilisées, puis retirées présentent un risque de contamination.

En cas de défaillance de la pompe d'eaux d'égout :

- Porter des gants en caoutchouc pour manipuler la pompe.
- À des fins de garantie, retourner l'étiquette figurant sur le cordon de la pompe et l'original du reçu au détaillant.
- Mettre la pompe au rebut conformément à la réglementation locale.

Exceptions à la garantie limitée de douze (12) mois

Produit	Période de garantie
BW85P, M40P	90 jours
2115, 2300, 2310, 2330, 2943, 2955, 2956, 2957, A5500	2 ans
Pompe pour puits submersibles de 4 pouces, 2945, 2958, 2975PC, 3075SS, 3963, 3984, 3995	3 ans
Réservoir préchargé de système d'eau, 3985, 3986, 3988, 3989, 5910, 5950, 5955, 5965, 5975	5 ans

Modalités générales et restriction des recours

L'Acheteur doit payer tous les frais de main d'œuvre et de transport nécessaires au remplacement du produit garanti couvert par cette garantie. Cette garantie ne s'applique pas à ce qui suit : (1) Les catastrophes naturelles; (2) Les produits qui, selon SIMER, ont fait l'objet d'une négligence, d'une utilisation abusive, d'un accident, d'une mauvaise application ou d'une altération; (3) Les défaillances dues à une installation, une utilisation, un entretien ou un entreposage inappropriés; (4) Une application, une utilisation ou une réparation atypique ou non approuvée; (5) Les défaillances causées par la corrosion, la rouille ou d'autres matériaux étrangers au système, ou par une utilisation à une pression supérieure au maximum recommandé.

Cette garantie établit la responsabilité unique de SIMER et le recours exclusif de l'Acheteur en cas de produit défectueux.

SIMER NE POURRA TRE TENUE RESPONSABLE DE TOUT DOMMAGE INDIRECT OU CONSÉCUTIF QUEL QU'IL SOIT.

LA GARANTIE LIMITÉE SUSMENTIONNÉE EST EXCLUSIVE ET REMPLACE TOUTES LES AUTRES GARANTIES EXPRESSES ET TACITES, Y COMPRIS, MAIS SANS S'Y LIMITER, LES GARANTIES DE QUALITÉ MARCHANDE ET D'ADAPTATION À UN USAGE PARTICULIER. LA GARANTIE LIMITÉE SUSMENTIONNÉE NE DOIT PAS ÊTRE PROLONGÉE AU-DELÀ DE LA DURÉE PRÉVUE AUX PRÉSENTES.

Certains États ne permettent pas l'exclusion ou la limitation des dommages indirects ou consécutifs, ni les limitations relatives à la durée des garanties implicites. Par conséquent, il se peut que les limitations ou les exclusions ci-dessus ne s'appliquent pas. Cette garantie procure des droits juridiques précis à l'Acheteur. Cependant, il est possible de bénéficier d'autres droits, qui varient selon l'État.

SIMER • 293 Wright Street • Delavan, WI U.S.A. 53115

Téléphone : 800 468-7867 • Télécopieur : 800 390-5351 • www.simerpump.com

Instrucciones importantes de seguridad

Guarde estas instrucciones - Este manual contiene instrucciones importantes que se deben seguir durante la instalación y el mantenimiento del bombas de sumidero.

⚠ Este es un símbolo de alerta sobre la seguridad. Cuando vea este símbolo en su bomba o en este manual, busque para ver si hay alguna de las siguientes palabras de señal y esté alerta a la posibilidad de lesiones personales.

⚠ PELIGRO indica un riesgo que, de no evitarse, *provocará* la muerte o lesiones de gravedad.

⚠ ADVERTENCIA indica un riesgo que, de no evitarse, *podría provocar* la muerte o lesiones de gravedad.

⚠ PRECAUCIÓN indica un riesgo que, de no evitarse, *podría provocar* lesiones leves o moderadas.

AVISO hace referencia a una práctica no relacionada con una lesión física.

Lea y siga cuidadosamente todas las instrucciones de seguridad en este manual y en la bomba.

Mantenga las etiquetas de seguridad en buenas condiciones. Reemplace las etiquetas de seguridad faltantes o dañadas.

Advertencia de la Proposición 65 de California

⚠ ADVERTENCIA Este producto y accesorios relacionados contienen sustancias químicas reconocidas en el Estado de California como causantes de cáncer, malformaciones congénitas y otros daños al sistema reproductivo.

1. Conozca los usos de la bomba, sus limitaciones y los posibles peligros.
2. **No use esta bomba en agua con peces. Si hay una fuga de aceite del motor puede matar a los peces.**
3. Desconecte la corriente antes de realizar trabajos de reparación o mantenimiento. Bombear solamente agua con esta bomba.
4. Descargue toda la presión dentro del sistema antes de reparar o prestar servicio a cualquiera de los componentes.
5. Drene toda el agua del sistema antes de realizar trabajos de reparación o mantenimiento.
6. Fije la línea de descarga antes de encender la bomba. Si la línea de descarga no está firmemente fija, podrá sacudirse y provocar lesiones personales y/o daños materiales.
7. Verifique que las mangueras no estén débiles o gastadas antes de cada uso, asegurándose de que todas las conexiones estén firmes.
8. Periódicamente, inspeccione los componentes del sumidero, de la bomba y del sistema. Manténgalos libres de escombros y objetos foráneos. Realice los procedimientos de mantenimiento de rutina necesarios.
9. Suministre un medio de descarga de presión para las bombas cuya línea de descarga pueda quedar cerrada u obstruida.
10. Seguridad personal:
 - a. Use gafas de seguridad en todo momento cuando trabaje con bombas.
 - b. Mantenga el área de trabajo limpia, ordenada y debidamente iluminada - vuelva a colocar en su lugar toda herramienta y equipo que no esté en uso.
 - c. Mantenga a los visitantes a una distancia segura del área de trabajo.
 - d. Asegúrese de que el área sea "a prueba de niños" - con candados, interruptores maestros y verificando que se hayan retirado las llaves de encendido.
11. Cuando realice el cableado de una bomba de accionamiento eléctrico, cumpla con todos los códigos de electricidad y seguridad que correspondan.
12. Este equipo se debe usar solamente con 115 voltios y viene equipado con un cordón aprobado de 3 conductores y un enchufe de 3 clavijas con conexión a tierra.

⚠ ADVERTENCIA **Riesgo de choque eléctrico.** Puede provocar choque, quemadura o muerte. Para reducir el peligro de choque eléctrico, desenchufe la bomba antes de realizar trabajos de reparación o mantenimiento. La bomba viene equipada con un conductor de

puesta a tierra y un enchufe de conexión a tierra. Asegúrese de que esté conectado solamente a un tomacorriente de puesta a tierra debidamente conectado a tierra.

En el caso de receptáculos de 2 clavijas, estos deberán ser reemplazados por un tomacorriente de 3 clavijas debidamente conectado a tierra e instalado conforme a los códigos y reglamentos que correspondan. No se ha investigado la operación de esta bomba para su uso en áreas de piscinas de natación.

13. Se recomienda usar un disyuntor de escape a tierra con todo aparato eléctrico sumergido en agua. La instalación y todo el cableado deben ser realizados por un electricista habilitado.
14. Verifique que la fuente de corriente cumpla con los requisitos de su equipo.
15. Proteja el cordón eléctrico de objetos afilados, superficies calientes, aceites y sustancias químicas. Evite que el cordón se tuerza. Reemplace o repare inmediatamente todo cordón averiado o gastado.
16. No toque un motor en funcionamiento. Motors can operate at high temperatures.
17. No maneje la bomba, el motor de la bomba, ni cambie los fusibles con las manos mojadas o cuando esté parado en suelo húmedo o mojado, o en el agua.

⚠ ADVERTENCIA **Riesgo de choque eléctrico.** Puede provocar choque, quemadura o muerte. Si su sótano tiene agua o el piso está húmedo, no camine en el área mojada hasta que no haya desactivado toda fuente de corriente eléctrica. Si la llave de paso está en el sótano, llame a la compañía de electricidad o de energía para cortar el servicio a su casa, o llame al departamento de bomberos de su localidad para solicitar instrucciones. El incumplimiento de esta advertencia puede resultar en un choque eléctrico mortal.

18. **NO** empalme el cordón eléctrico.
19. **NO** permita que se sumerja el enchufe del cordón eléctrico.
20. **NO** use cordones de alargue ya que representan un peligro de incendio y pueden reducir la tensión lo suficiente como para evitar el bombeo y/o perjudicar el motor.
21. Conecte o cablee la bomba a un ramal individual, sin otras tomas ni equipos en el circuito. size fuses or circuit breakers according to the specifications.

Especificaciones

Suministro de corriente requerido..... 115V, 60 Hz
 Gama de temp. del líquido..... 32° F - 120° F (0° - 49° C)
 Requisito (mínimo) del ramal individual..... 15 amperios
 Adaptador de descarga: NPT macho de 1-1/4"

Bombear solamente agua con esta bomba.

AVISO Este aparato no está diseñado como bomba de cascada o fuente, ni para aplicaciones con agua salada o de mar. El uso con cascadas, fuentes, agua salada o de mar anulará la garantía.

No usar en donde hay recirculación de agua.

No ha sido diseñado para usar como desagüador de piscinas de natación.

Especificaciones del motor, interruptor y cordón eléctrico

Modelo No.	HP	Carga total del Motor en Amperios	Requisito de ramal individual (Amps.)	Largo del cordón	Graduación del interruptor en pulgadas (mm)	
					Encendido	Apagado
2905-04	1/4	6.0	15	8'	10" (254)	3" (76)
2955-04	1/3	10.0	15	8'	11" (279)	4" (102)
2957-04	1/3	10.0	15	8'	7-1/2" (191)	2-1/2" (64)

Desempeño

Modelo	GPM (LPM) a altura total en pies (M)				
	5 (1.5m)	10 (3m)	15 (4.6m)	20 (6.1m)	25 (7.6m)
CAPACIDAD EN GALONES (LITROS)/HORA					
2905-04	1,170 (4,429)	1,020 (3,840)	810 (3,066)	510 (1,931)	0 (0)
2955-04	1,740 (6,600)	1,620 (6,120)	1,260 (4,740)	720 (2,700)	60 (240)
2957-04					

Instalación

- Instalar los modelos de interruptor anclado en un foso de recogida con un diámetro mínimo de 14" (356 mm). Instalar los modelos de interruptor vertical en un foso de recogida con un diámetro mínimo de 11" (280 mm). Construya el foso de sumidero de baldosas, hormigón, acero o plástico. Verifique los códigos locales con respecto a los materiales aprobados.

La bomba no se debe instalar sobre superficies de arcilla, tierra o arena. Limpie el foso del sumidero para eliminar las piedras pequeñas y la grava que puedan obstruir la bomba. Mantenga la caja de aspiración de la bomba libre de escombros.

- Instale la bomba en el foso de forma que el mecanismo de operación del interruptor tenga el mayor huelgo posible.
- Instale una válvula de retención en línea para evitar el retroflujo a través de la bomba cuando ésta se cierre.
- Instale la plomería de descarga.
 - Cuando use una tubería rígida, use una tubería de plástico. Envuelva la rosca de la tubería de descarga con cinta sellante de PTFE para roscas de tubería. Atornille la tubería en la abertura de descarga de la bomba apretando entre +1 y 1-1/2 vueltas. **AVISO** No use compuesto común para uniones de tubos en tuberías de plástico. El compuesto para uniones de tubos puede atacar al plástico. **AVISO** Enrosque la tubería de descarga en el cuerpo de la bomba cuidando de no desgarrar ni cruzar las roscas.
 - Si se usa una manguera flexible de descarga, asegúrese de que la bomba esté firmemente colocada en el sumidero para impedir el movimiento. No use una tubería flexible de descarga en una instalación permanente.

⚠ PRECAUCIÓN **Riesgo de inundación.** Puede provocar lesiones personales y/o daños materiales. Si la bomba no se coloca firmemente, podrá haber un movimiento en la bomba e interferencia en el interruptor que impedirá que la bomba se encienda y se detenga debidamente.

AVISO La tubería de descarga debe ser lo más corta posible para reducir las pérdidas por fricción de la tubería. El diámetro de la tubería de descarga debe ser igual o mayor que el tamaño de la descarga de la bomba. Diámetros de bomba menores pueden restringir la capacidad de la bomba y reducir su rendimiento.

- Coloque firmemente la línea de descarga antes de encender la bomba. Para reducir el ruido y las vibraciones del motor, se puede conectar una manguera corta de caucho (por ej. manguera de radiador) en la línea de descarga, cerca de la bomba, usando abrazaderas adecuadas. Si la línea de descarga de la bomba está expuesta a la

intemperie a temperaturas heladas, la porción de la línea que quede expuesta, deberá ser instalada de manera que el agua que permanezca en la tubería se desagüe hacia la salida por gravedad. Si se ignora esta precaución, existe el riesgo de que el agua que quede atrapada en la descarga se congele y dañe la bomba.

- Suministro de corriente eléctrica.** Esta bomba ha sido diseñada para funcionar a 115V, 60 Hz. y requiere un ramal individual de 15 amperios como mínimo. Tanto la bomba como el interruptor vienen con un juego de cordón trifilar y enchufe con puesta a tierra. El enchufe del interruptor se inserta directamente en el tomacorriente y el enchufe de la bomba se inserta en el extremo opuesto del enchufe del interruptor.

⚠ ADVERTENCIA **Riesgo de choque eléctrico.** Puede provocar choque, quemadura o muerte. La bomba viene provista de un conductor de puesta a tierra y un enchufe de conexión a tierra. Para reducir el riesgo de choque eléctrico, verifique que se conecte solamente a un tomacorriente de puesta a tierra debidamente conectado a una tubería de agua puesta a tierra, una canalización metálica debidamente puesta a tierra, o un sistema de cableado a tierra. El borne de puesta a tierra en el enchufe del cordón de la bomba viene provisto para su protección. ¡NO LO RETIRE!

Se recomienda el uso de un disyuntor de descarga a tierra para usar con cualquier aparato eléctrico sumergido en el agua. Consulte a un electricista habilitado para la instalación de un circuito de este tipo.

- Después de haber instalado la tubería y la válvula de retención (si se requiere), la unidad estará lista para funcionar.
- Inspeccione la operación del sistema observando el funcionamiento de la bomba durante un ciclo completo.

⚠ PRECAUCIÓN **Riesgo de inundación.** Puede provocar lesiones personales y/o daños materiales. Si no se realiza esta verificación de la operación, existe el riesgo de un funcionamiento inadecuado, una falla prematura e inundaciones.

Operación

⚠ ADVERTENCIA **Riesgo de choque eléctrico.** Puede provocar choque, quemadura o muerte. No opere la bomba o el motor de la bomba con las manos mojadas o cuando esté parado sobre una superficie mojada o húmeda, o en el agua.

- Mantenga la criba de entrada de la bomba limpia.
- El sello del eje depende del agua para su lubricación. No opere la bomba a menos que se encuentre sumergida en agua, ya que el sello se perjudicará si la bomba marcha en seco.
- El motor está equipado con un protector térmico de reposición automático. Si la temperatura del motor aumenta indebidamente, el interruptor cortará la corriente antes de que se dañe el motor. Cuando el motor se haya enfriado lo suficiente, el interruptor se reposicionará automáticamente y arrancará el motor de nuevo. Si el protector se dispara repetidamente, debe sacar la bomba y debe buscar la causa del problema. Baja tensión, cordones de alargue largos, impulsor obstruido, muy poca altura o alza, etc. pueden provocar los ciclos. Remítirse al "Cuadro de Localización de Fallas".
- Inspeccione periódicamente la bomba, los componentes del sistema y el sumidero para asegurarse de que no haya residuos u objetos extraños. Mantenga el sumidero libre de desechos. Lleve a cabo un mantenimiento de rutina según sea necesario.

⚠ PRECAUCIÓN **Riesgo de inundación.** Puede provocar lesiones personales y/o daños materiales. Esa bomba viene con el interruptor automático de flotador montado en la tapa del motor listo para operar. No cambie las graduaciones del interruptor. Remítase al cuadro “Especificaciones del motor, interruptor y cordón eléctrico” para las graduaciones del interruptor.

Mantenimiento

Para limpiar la criba de la bomba:

AVISO El intentar desarmar el motor invalidará la garantía.

⚠ ADVERTENCIA **Riesgo de choque eléctrico.** Puede provocar choque, quemadura o muerte. Siempre desconecte la bomba de la fuente de corriente eléctrica antes de reparar cualquier componente del sistema. No levante la bomba por medio del cordón eléctrico.

1. Desconecte la corriente eléctrica antes de realizar trabajos de reparación.

⚠ ADVERTENCIA **Riesgo de choque eléctrico.** Puede provocar choque, quemadura o muerte. Cuando esté realizando trabajos de reparación, siempre desconecte el cordón eléctrico de la salida de corriente eléctrica.

2. Afloje la tubería de descarga.
3. Use el mango de la bomba para sacar la bomba del foso del sumidero y coloque la bomba sobre una superficie nivelada y limpia.
4. Para limpiar la rejilla, utilice un destornillador para desabrocharla (refiérase a la Figura 1), remueva y enjuague la rejilla.

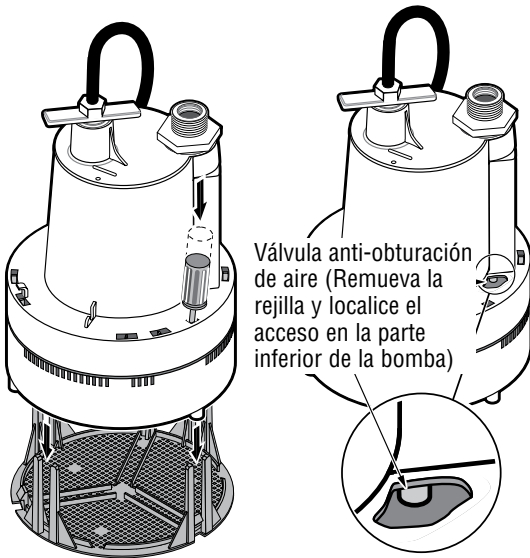


Figura 1 - Para limpiar la criba y la válvula anti bolsa de aire.

5. Vuelva a instalar la criba. Asegúrese que todos los broches enganchen bien ajustadamente.
6. Coloque nuevamente la bomba en el foso del sumidero.
7. Re-instale la tubería de descarga.
8. Inspeccione el funcionamiento del sistema llenando el depósito con agua y observando el funcionamiento de la bomba durante un ciclo completo.

⚠ PRECAUCIÓN **Riesgo de inundación.** Puede provocar lesiones personales y/o daños materiales. El no realizar esta inspección de funcionamiento puede resultar en un funcionamiento inadecuado, una falla prematura e inundación.

Cómo reemplazar el interruptor de flotador vertical:

AVISO El flotador debe poder completar todo su ciclo sin interferencia de objeto alguno.

1. Monte el soporte en la caja del interruptor con los tornillos del soporte de montaje. Ver figura 2.

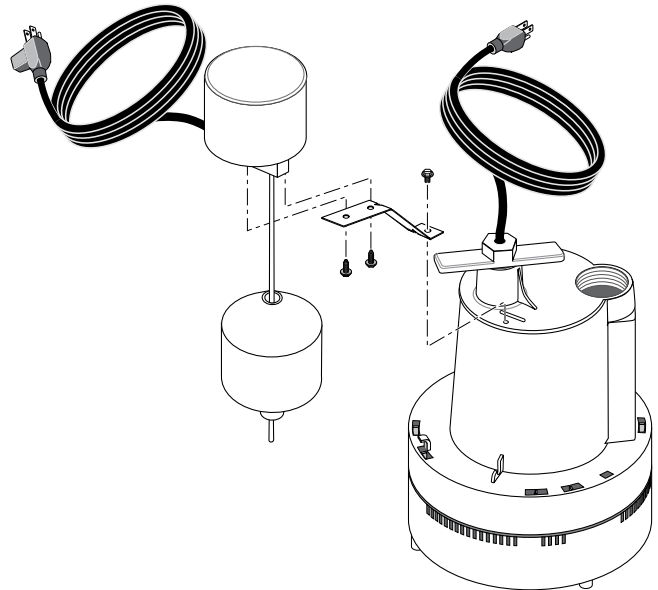


Figura 2 – Cómo reemplazar el interruptor del flotador vertical

AVISO Verifique que el pasador sostenga la varilla del flotador en la caja del interruptor, de lo contrario la bomba no va a cerrar.

AVISO Jale suavemente de la varilla para asegurarse de que no puede salirse de la caja del interruptor.

2. Monte la unidad del interruptor en la bomba con los tornillos que se proveen.
3. Haga funcionar la bomba durante un ciclo completo para verificar que el funcionamiento del interruptor es correcto y sin interferencias.

⚠ PRECAUCIÓN **Riesgo de inundación.** Puede provocar lesiones personales y/o daños materiales. El no realizar esta inspección de funcionamiento puede resultar en un funcionamiento inadecuado, una falla prematura e inundación.

Bolsas de aire

Cuando una bomba tiene obturaciones por bolsas de aire, funciona pero no mueve el agua. Una bolsa de aire hará que la bomba se recaliente y falle.

Esta bomba tiene un pequeño orificio del lado de la caja de la bomba. Ver figura 1. Es una válvula anti-bolsas de aire. Si sospecha que hay bolsas de aire, inserte una aguja o un alambre en el orificio anti-bolsas de aire para quitar los residuos.

Síntoma	Causa(s) probable(s)	Acción correctiva
La bomba no arranca o no marcha.	Fusible quemado o disyuntor. Baja tensión de línea. Motor defectuoso. Interruptor de flotador defectuoso. Flotador obstruido.	Si está quemado, reemplace por un fusible del tamaño adecuado o reposicione el disyuntor. Si la tensión es inferior al mínimo recomendado, verifique el tamaño de los cables desde el interruptor principal en la propiedad. Si es el correcto, comuníquese con la empresa de energía o de suministro de corriente eléctrica. Reemplace la bomba. Reemplace el interruptor de flotador. Elimine la obstrucción.
La bomba no se apaga.	Retroflujo de agua desde la tubería. Interruptor de flotador defectuoso.	Instale o reemplace la válvula de retención. Reemplace el interruptor de flotador.
La bomba arranca y se detiene con demasiada frecuencia.	Interruptor de flotador defectuoso. Descarga restringida (obstáculo en la tubería). Flotador obstruido.	Reemplace el interruptor de flotador. Saque la bomba y limpie la bomba y la tubería. Elimine la obstrucción.
La bomba funciona pero descarga poco o nada de agua.	Baja tensión de línea. Piezas gastadas o impulsor tapado. El orificio de ventilación anti-bolsas de aire está obstruido.	Si la tensión es inferior al mínimo recomendado, verifique el tamaño de los cables desde el interruptor principal en la propiedad. Si es el correcto, comuníquese con la empresa de energía o de suministro de corriente eléctrica. Reemplace la bomba. Limpie el orificio de ventilación con una aguja o un alambre.

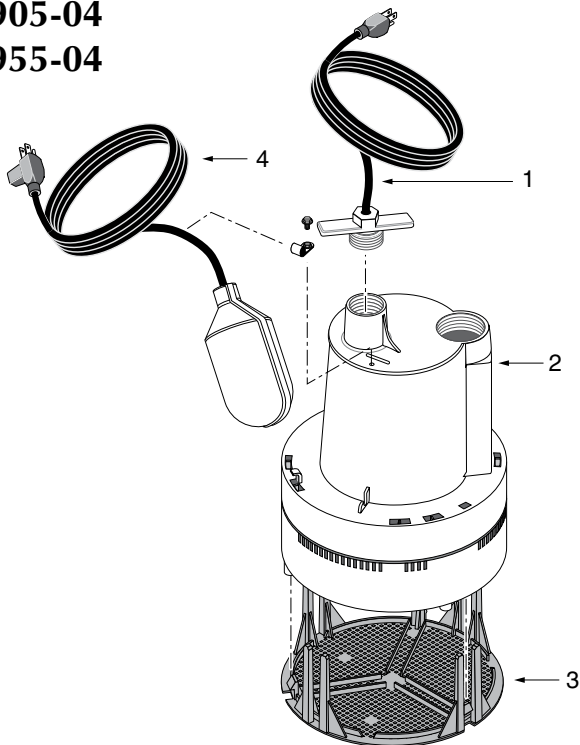
Lista de piezas de repuesto

Clave No.	Descripción de la pieza	Cant.	2905-04	2955-04	2957-04
1	Cordón eléctrico	1	PS117-54-TSU	PS117-54-TSU	PS117-54-TSU
2	Tapa, Unidad del motor	1	**	**	**
3	Criba de admisión	1	PS18-128P	PS18-127P	PS18-127P
4	Unidad del interruptor	1	FP18-15BD-P2	FP18-15BD-P2	FPS17-66*

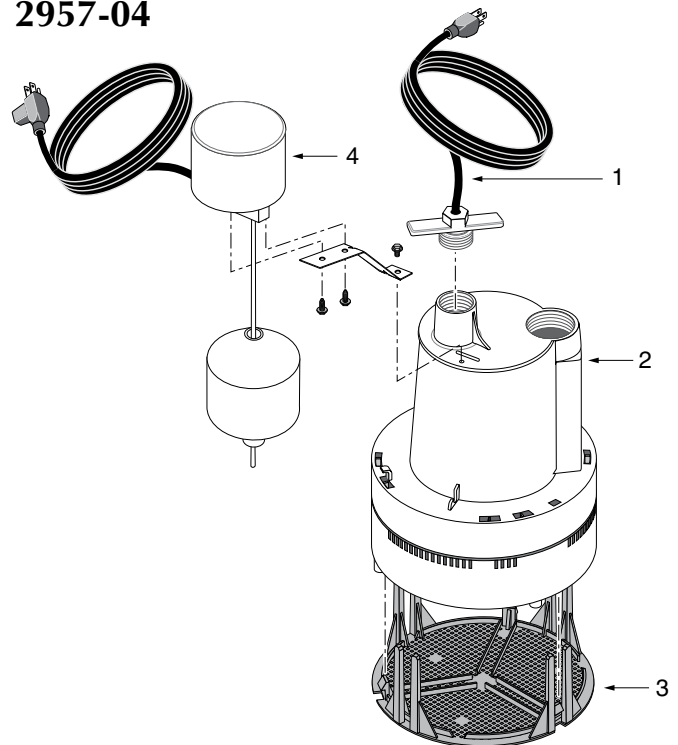
* El interruptor vertical de repuesto debe de ser fijado sobre la tubería de descarga.

** Si falla el motor, reemplace la bomba completa.

2905-04
2955-04



2957-04



Retener el recibo original a fin de determinar la elegibilidad para la garantía

Garantía limitada

Esta Garantía Limitada entra en vigor el 1 de junio de 2011 y sustituye toda garantía sin fecha o garantía con fecha anterior al 1 de junio de 2011.

SIMER le garantiza al comprador consumidor original (el "Comprador" o "Usted") de sus productos, que éstos estarán libres de defectos en materiales y en mano de obra por un período de doce (12) meses, a partir de la fecha de la compra original del consumidor. Si dentro de los doce (12) meses a partir de la fecha de la compra inicial del consumidor, Será reparado o reemplazado a opción de la SIMER, sujeto a los términos y condiciones establecidos en la presente. Tome nota de que esta garantía limitada cubre defectos de manufactura solamente y no el desgaste común. Todos los aparatos mecánicos periódicamente necesitan repuestos y servicio para un funcionamiento correcto. Esta garantía limitada no cubre las reparaciones que se realicen cuando el uso normal haya agotado la vida útil de una pieza o del aparato.

Es necesario retener el recibo de compra original y la etiqueta de información de la garantía a fin de determinar la elegibilidad para la garantía. La elegibilidad se basa en la fecha de compra del producto original - no en la fecha del reemplazo bajo la garantía. La garantía es limitada y cubre solamente la reparación o el reemplazo del producto original adquirido, no del producto reemplazado (es decir que se permite un reemplazo por compra bajo la garantía). El comprador pagará todos los costos de remoción, instalación, mano de obra y envío necesarios, así como todo costo adicional asociado.

Si necesita piezas o resolución de problemas, NO regrese el producto a la tienda minorista. Llame el Servicio a la Clientela de SIMER al 1-800-468-7867.

Las reclamaciones hechas bajo esta garantía se realizarán mediante la devolución del producto (a excepción de las bombas cloacales - ver a continuación) al concesionario de venta al público en donde se haya adquirido o a la fábrica, inmediatamente después de haber descubierto cualquier presunto defecto. SIMER entonces tomará la medida correctiva tan pronto como sea razonablemente posible. No se aceptarán solicitudes de servicio, si se reciben más de 30 días después del vencimiento de esta garantía.

La garantía no es transferible y no cubre productos utilizados en aplicaciones comerciales o de alquiler.

Bombas cloacales

NO devuelva una bomba cloacal (que se haya instalado) a su tienda minorista. Comuníquese con el Departamento de Atención al Cliente de SIMER. Las bombas cloacales que hayan estado en servicio y se hayan removido pueden representar un peligro de contaminación.

Si su bomba cloacal ha fallado:

- Use guantes de caucho cuando manipule la bomba;
- Para los fines de la garantía, devuelva la etiqueta del cordón de la bomba y el recibo de compra original a la tienda minorista;
- Descarte la bomba cumpliendo con todas las normas locales que correspondan para su eliminación.

Excepciones para la garantía limitada de doce (12) meses

Producto	Período de garantía
BW85P, M40P	90 días
2115, 2300, 2310, 2330, 2943, 2955, 2956, 2957, A5500	2 años
Bombas de pozo sumergibles de 4", 2945, 2958, 2975PC, 3075SS, 3963, 3984, 3995	3 años
Tanque precargado del sistema de agua, 3985, 3986, 3988, 3989, 5910, 5950, 5955, 5965, 5975	5 años

Términos y condiciones generales; Limitación de recursos

Usted deberá pagar por todos los gastos de mano de obra y de envío necesarios para reemplazar el producto cubierto por esta garantía. Esta garantía no se aplicará en las siguientes situaciones: (1) caso de fuerza mayor (2) productos que, a sólo juicio de SIMER hayan sido sometidos a negligencia, abuso, accidente, mala aplicación, manejo indebido o alteraciones; (3) fallas debido a instalación, operación, mantenimiento o almacenamiento inadecuados; (4) aplicaciones, usos o servicios que no sean normales o aprobados; (5) fallas provocadas por corrosión, herrumbre u otros materiales extraños en el sistema, o una operación a presiones que excedan los máximos recomendados.

Esta garantía establece la única obligación de SIMER y el recurso exclusivo del Comprador con respecto a los productos defectuosos. SIMER NO SE HARÁ RESPONSABLE DE NINGÚN DAÑO CONSECUENTE, INCIDENTAL O CONTINGENTE.

LAS GARANTÍAS LIMITADAS QUE ANTECEDEN SON EXCLUSIVAS Y EN LUGAR DE TODA OTRA GARANTÍA EXPLÍCITA E IMPLÍCITA, INCLUYENDO, PERO SIN LIMITARSE A LAS GARANTÍAS IMPLÍCITAS DE COMERCIABILIDAD E IDONEIDAD PARA UN FIN ESPECÍFICO. LAS GARANTÍAS LIMITADAS QUE ANTECEDEN NO SE EXTENDERÁN MÁS ALLÁ DEL PERÍODO DE DURACIÓN INDICADO EN LA PRESENTE.

Algunos Estados no permiten la exclusión o limitación de daños incidentales o consecuentes o de limitaciones de tiempo sobre garantías implícitas, de modo que es posible que las limitaciones o exclusiones que preceden no correspondan en su caso. Esta garantía le otorga derechos legales específicos y es posible que Usted también tenga otros derechos que pueden variar de un Estado al otro.

SIMER • 293 Wright Street • Delavan, WI U.S.A. 53115
Teléfono: 800-468-7867 • Fax: 800-390-5351 • www.simerpump.com