



293 Wright St., Delavan, WI 53115

Phone: 1-800-468-7867

1-800-546-7867

Fax: 1-800-390-5351

OWNER'S MANUAL

## Submersible Electronic Pool Cover Pump

---

NOTICE D'UTILISATION

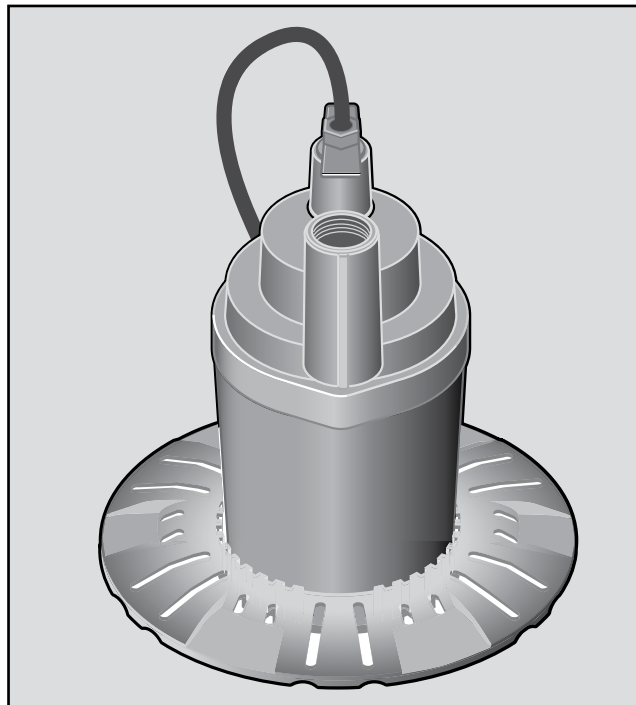
## Pompe submersible électronique pour couverture de piscine

---

MANUAL DEL USUARIO

## Bomba sumergible electrónica para cubierta de piscina

---



### MODEL 2125PCP

#### Installation/Operation/Parts

*For further operating, installation, or maintenance assistance:*

**Call 1-800-468-7867**

**English ..... Pages 2-5**

#### Installation/Fonctionnement/Pièces

*Pour plus de renseignements concernant l'utilisation, l'installation ou l'entretien,*

**Composer le 1 (800) 468-7867**

**Français ..... Pages 6-9**

#### Instalación/Operación/Piezas

*Para mayor información sobre el funcionamiento, instalación o mantenimiento de la bomba:*

**Llame al 1-800-468-7867**

**Español..... Páginas 10-13**

GENERAL SAFETY

**IMPORTANT SAFETY INSTRUCTIONS**

When installing and using this electrical equipment, basic safety precautions should always be followed, including the following:

**READ AND FOLLOW ALL INSTRUCTIONS**

**▲WARNING** To reduce the risk of injury, do not permit children to use this product unless they are closely supervised at all times.

**▲WARNING** Risk of Electric Shock. Connect only to a properly-grounded, grounding type receptacle. The pump requires 115 volt, single phase current. The pump is protected by a ground-fault circuit interrupter (GFCI) built into the plug. Do not modify the cord, plug, or GFCI.

Do not bury cord. Locate cord to minimize abuse from lawn mowers, hedge trimmers, and other equipment.

**▲WARNING** To reduce the risk of electric shock, replace damaged cord immediately.

**▲WARNING** To reduce the risk of electric shock, do not use an extension cord to connect the unit to the electrical supply; provide a properly located outlet.

**SAVE THESE INSTRUCTIONS**

**▲WARNING** The pump motor is equipped with an automatically resetting thermal protector and may restart unexpectedly.

DO NOT plug in the pump while standing in water or on a wet or damp surface.

DO NOT use in water where fish are present (oil in motor can kill fish).

DO NOT pick up the pump by the power cord.

Protect the electrical cord from sharp objects, hot surfaces, oil, and chemicals. Avoid kinking the cord.

Unplug the pump before servicing it or attempting to clean it.

Secure the discharge hose before starting the pump. An unsecured discharge hose may whip, which can cause personal injury and property damage.

Keep the pump, base, and inlet screen free of debris and foreign objects.

**California Proposition 65 Warning**

**▲WARNING** This product and related accessories contain chemicals known to the State of California to cause cancer, birth defects or other reproductive harm.

**SPECIFICATIONS**

Power supply required ..... 115V, 60 HZ.  
 Liquid Temp. Range .....Max. 77°F (25°C)  
 Operation Position .....Vertical  
 Individual Branch Circuit Required ..... 15 Amp  
 Operating Depth Beginning min ..... 3/4"  
 (water level) Ending max..... 1/4"  
 Discharge..... 1" NPT (25 mm)

**DESCRIPTION**

The submersible pump is designed for water removal from pool covers in home swimming pool applications. Unit is constructed of hi-impact corrosion resistant plastic. Screened inlet and base prevent large solids from entering pump and protect pool cover.

**NOTICE:** This unit is not designed for applications involving salt water or brine! Use with salt water or brine will void warranty.

**PERFORMANCE**

GPH (LPH) AT TOTAL FEET (M)						
3'	5'	10'	15'	18'	20'	22'
(0.91)	(1.52)	(3.05)	(4.57)	(5.49)	(6.09)	(6.70)
1410 gal (5337 L)	1320 gal (4997 L)	1080 gal (4088 L)	840 gal (3180 L)	630 gal (2385 L)	420 gal (1590 L)	0 gal (0 L)

**INSTALLATION**

**▲WARNING** Hazardous voltage. Can shock, burn or cause death. Do not use power cord to lift motor. Always use handle.

1. Pump should always stand upright on base when operating. Do not suspend pump by means of discharge hose or power cord. Keep pump inlet screen clear.
2. To install a garden hose, first install adapter provided with pump.

**NOTICE:** To keep friction as low as possible, hose must be 5/8" or larger. Keep hose as short as possible.

3. If, in your application, backflow is a problem when the pump stops, prevent it by installing a 1" NPT check valve in the pump discharge.
4. Power Supply: Pump is designed for 115V., 60 HZ. operation and requires an individual branch circuit of 15 amperes or more capacity. It is supplied with a 3-wire cord set with grounding-type, GFCI protected plug for use in a 3-wire, grounded outlet. For safety, pump should always be electrically grounded to a suitable electrical ground such as a grounded water pipe or a properly grounded metallic raceway or ground wire system. Do not cut off the round grounding prong.

**▲WARNING** Risk of sudden starts. Can result in an electrical shock or the pinching of hands or tools. The pump motor is equipped with automatic resetting thermal protector and may restart unexpectedly. Protector tripping is indication of motor overloading as a result of operating pump at high pressure, excessively high or low voltage, inadequate wiring, incorrect motor connections, or a defective motor or pump.

## OPERATION

**▲ WARNING** Risk of electrical shock. Can burn or cause death. Do not handle pump or pump motor with wet hands or when standing on wet or damp surface, or in water. Disconnect power from pump before handling, servicing, or attempting to repair pump.

**NOTE:** The power cord for this pump is equipped with a Ground Fault Circuit Interrupter (GFCI). The GFCI will shut down the pump in the event of leakage of electrical current from the pump motor or cord to ground. If the pump does not respond when plugged in, unplug it, reset the GFCI (push the RESET button on the plug) and plug it in again. If it still doesn't respond, make sure that the circuit breaker for the branch circuit is in the 'on' position (closed). If the circuit breaker is closed and the pump doesn't respond, consult a licensed electrician. DO NOT TRY TO MODIFY the cord or plug, and do not remove the GFCI.

The Electronic Pool Cover Pump is fully Automatic in Operation. The "smart" controller periodically starts the pump to sense if water is present. If it senses water it will run for a period of time occasionally cycling off for a few seconds and turning on to verify it has water to remove and not just stirring a small puddle. If no water is detected the start cycle delay will gradually increase. As soon as water is detected the sequence repeats again.

**NOTICE:** When you plug the pump into the outlet, it will start and run for 5 seconds. It will then cycle as described above.

If the unit is put in the water and started, interrupting the water flow into the pump during the 5-second water-sensing run will cause it to wait 2-1/2 minutes before restarting.

1. The motor is equipped with an automatically resetting thermal overload protector. If the motor gets too hot, the overload protector will stop the motor before it is damaged. When the motor has cooled sufficiently, the overload protector will reset itself and the motor will restart.

**NOTICE:** If the overload protector stops the pump repeatedly, disconnect the power from the pump and check it to find the problem. Low voltage, clogged impeller, too much back pressure in the discharge hose (as when pumping through 50' (15 M) of coiled hose), or extended running of pump with no load, can all cause overheating.

2. The water being pumped cools the motor, allowing the pump to run continuously at any depth of water above 1/4". However, if the motor overload stops the pump, allow it to cool for one hour before restarting. The motor will not restart before the overload has cooled.

## LOCKED ROTOR

To restart the pump manually, unplug it and plug it in again.

1. If the rotor is locked, UNPLUG THE PUMP, remove the base, shield, and screen, and clean out the rotor.

**▲ WARNING** Risk of dangerous or fatal electrical shock.

Disconnect the pump from the power source before disassembling the pump or cleaning out the rotor.

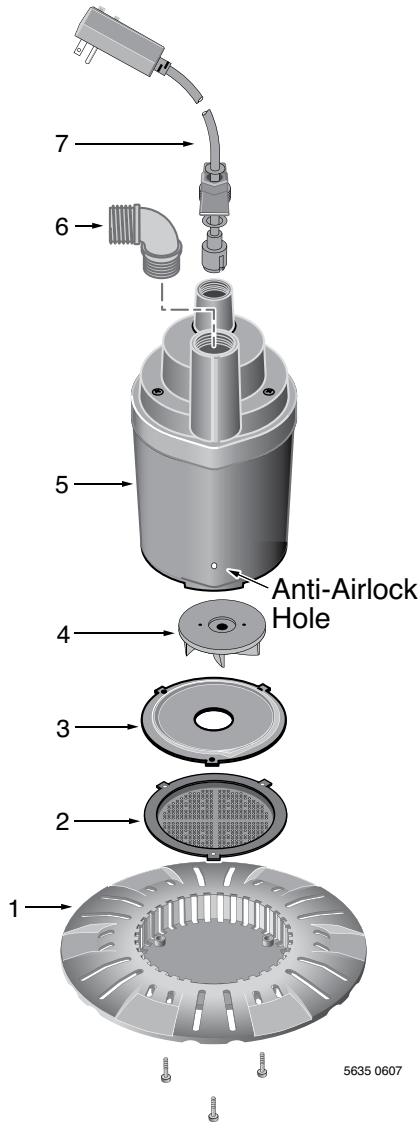
2. See Page 4 for important information about the alignment of the screen and shield when you reassemble them. Note that the pump will not operate correctly if these parts are not correctly installed.
3. Once you have reassembled the pump, reset it on the pool cover and plug it in again to resume normal operation.

## AIRLOCKS

When a pump airlocks, it runs but does not move any water. An airlock will cause the pump to overheat and fail. This pump has an anti-airlock hole in the side of the pump body. If you suspect an airlock, unplug the pump, clean out the anti-airlock hole with a paper clip or piece of wire, and restart the pump.

**NOTICE:** If the outlet of the discharge hose is submerged you must have a 1/8" hole in the discharge hose to prevent airlock. This hole must be open to air.

**NOTICE:** If you move the pump or the pump airlocks, be sure to drain the hose before trying to restart the pump.



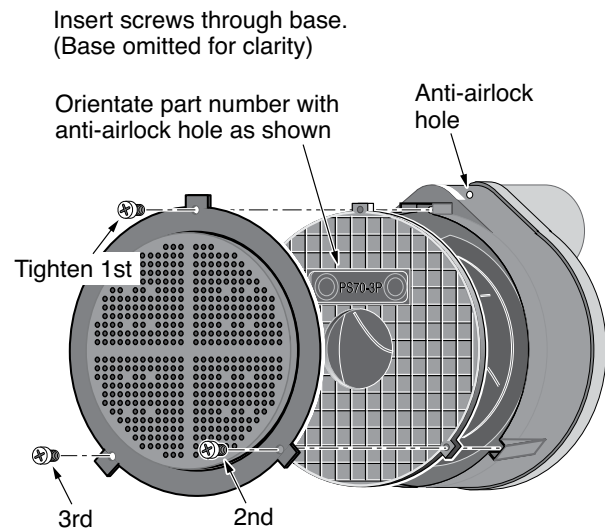
## REPAIR PARTS

Key	Part Description	Qty.	Part No.
1	Base	1	PS70-83
2	Screen	1	PS8-6P
3	Shield	1	PS70-3P
4	Impeller	1	PS5-25P
5	Motor	1	**
6	90° Garden Hose Adapter	1	PS74-78
7	Power Cord	1	PS17-1505

**NOTICE:** To purchase a check valve, call Customer Service at 1-800-365-6832 and order part number PW73-63.

\*\* If motor fails, replace entire pump.

• Not Illustrated.



**Assemble Screen and Shield as shown.**

## TROUBLESHOOTING

**⚠ WARNING** Risk of electrical shock and sudden start.

Disconnect electrical power to pump before attempting to troubleshoot or work on it.

SYMPTOM	POSSIBLE CAUSE(S)	CORRECTIVE ACTION
Pump won't start or run	Blown fuse Low line voltage  Defective motor Impeller	If blown, replace with fuse of proper size If voltage under recommended minimum, check size of wiring from main switch on property. If OK, contact power company. Replace pump Remove base and screen, locate source of binding
Pump operates but delivers little or no water	Low line voltage  Something caught in impeller Small diameter garden hose or long discharge line Check valve installed without vent hole Air lock Coils or bends in hose	Call power company  Clean out impeller Use larger diameter garden hose or 1" flexible pipe. Eliminate any excess hose. Short hoses work best Drill a 1/16" - 1/8" (1.6 - 3.2 mm) dia. hole between pump discharge & check valve Turn off pump for a few seconds, clean out anti-airlock hole and restart pump Straighten hose

**For parts or assistance, call Simer Customer Service at 1-800-468-7867**

**Retain Original Receipt for Warranty Eligibility**

**Limited Warranty**

This Limited Warranty is effective June 1, 2011 and replaces all undated warranties and warranties dated before June 1, 2011. SIMER warrants to the original consumer purchaser (“Purchaser” or “You”) that its products are free from defects in material and workmanship for a period of twelve (12) months from the date of the original consumer purchase. If, within twelve (12) months from the original consumer purchase, any such product shall prove to be defective, it shall be repaired or replaced at SIMER’s option, subject to the terms and conditions set forth herein. Note that this limited warranty applies to manufacturing defects only and not to ordinary wear and tear. All mechanical devices need periodic parts and service to perform well. This limited warranty does not cover repair when normal use has exhausted the life of a part or the equipment.

The original purchase receipt and product warranty information label are required to determine warranty eligibility. Eligibility is based on purchase date of original product – not the date of replacement under warranty. The warranty is limited to repair or replacement of original purchased product only, not replacement product (i.e. one warranty replacement allowed per purchase). Purchaser pays all removal, installation, labor, shipping, and incidental charges.

For parts or troubleshooting assistance, DO NOT return product to your retail store. Contact SIMER Customer Service at 800-468-7867.

Claims made under this warranty shall be made by returning the product (except sewage pumps, see below) to the retail outlet where it was purchased immediately after the discovery of any alleged defect. SIMER will subsequently take corrective action as promptly as reasonably possible. No requests for service will be accepted if received more than 30 days after the warranty expires. Warranty is not transferable and does not apply to products used in commercial/rental applications.

**Sewage Pumps**

DO NOT return a sewage pump (that has been installed) to your retail store. Contact SIMER Customer Service. Sewage pumps that have seen service and been removed carry a contamination hazard with them.

If your sewage pump has failed:

- Wear rubber gloves when handling the pump;
- For warranty purposes, return the pump’s cord tag and original receipt of purchase to the retail store;
- Dispose of the pump according to local disposal ordinances.

**Exceptions to the Twelve (12) Month Limited Warranty**

Product	Warranty Period
BW85P, M40P	90 days
2115, 2300, 2310, 2330, 2883, 2886, 2943, 2955, 2956, 2957, A5300, A5500	2 Years
4” Submersible Well Pumps, 2945, 2958, 2975PC, 3075SS, 3963, 3984, 3995, 4185, 4185P, 4186, 4188, 4190	3 Years
Pre-Charged Pressure Tanks, 3985, 3986, 3988, 3989, 5910, 5950, 5955, 5965, 5975	5 Years

**General Terms and Conditions; Limitation of Remedies**

You must pay all labor and shipping charges necessary to replace product covered by this warranty. This warranty does not apply to the following: (1) acts of God; (2) products which, in SIMER’s sole judgement, have been subject to negligence, abuse, accident, misapplication, tampering, or alteration; (3) failures due to improper installation, operation, maintenance or storage; (4) atypical or unapproved application, use or service; (5) failures caused by corrosion, rust or other foreign materials in the system, or operation at pressures in excess of recommended maximums.

This warranty sets forth SIMER’s sole obligation and purchaser’s exclusive remedy for defective products.

SIMER SHALL NOT BE LIABLE FOR ANY CONSEQUENTIAL, INCIDENTAL, OR CONTINGENT DAMAGES WHATSOEVER.

THE FOREGOING WARRANTIES ARE EXCLUSIVE AND IN LIEU OF ALL OTHER EXPRESS AND IMPLIED WARRANTIES, INCLUDING BUT NOT LIMITED TO THE IMPLIED WARRANTIES OF MERCHANTABILITY AND FITNESS FOR A PARTICULAR PURPOSE. THE FOREGOING WARRANTIES SHALL NOT EXTEND BEYOND THE DURATION PROVIDED HEREIN.

Some states do not allow the exclusion or limitation of incidental or consequential damages or limitations on how long an implied warranty lasts, so the above limitations or exclusions may not apply to You. This warranty gives You specific legal rights and You may also have other rights which vary from state to state.

**SIMER • 293 Wright Street • Delavan, WI U.S.A. 53115**  
**Phone: 800-468-7867 • Fax: 800-390-5351 • www.simerpump.com**

## SÉCURITÉ GÉNÉRALE

**IMPORTANTES  
CONSIGNES DE SÉCURITÉ**

Toujours observer les mesures de sécurité de base lors de l'installation et l'utilisation de cet équipement électrique, y compris les consignes suivantes :

**LIRE ET SUIVRE TOUTES  
CES CONSIGNES**

**▲ AVERTISSEMENT** Pour minimiser le risque de blessures, ne pas permettre aux enfants d'utiliser ce produit, à moins qu'ils soient toujours surveillés de près.

**▲ AVERTISSEMENT** Risque de secousses électriques. Ne brancher ce cordon électrique que dans une prise de courant adéquatement mise à la terre. La pompe nécessite un courant monophasé de 115 volts. La pompe est protégée par un disjoncteur de fuite à la terre incorporé dans la fiche. Ne pas modifier le cordon, fiche ou disjoncteur de fuite à la terre.

Ne pas enfouir le cordon. Le placer pour le protéger des tondeuses à gazon, des taille-haies et d'autres équipements.

**▲ AVERTISSEMENT** Pour minimiser le risque de secousses électriques, remplacer immédiatement le cordon s'il est endommagé.

**▲ AVERTISSEMENT** Pour minimiser le risque de secousses électriques, ne pas utiliser un cordon prolongateur pour brancher la pompe au courant électrique; faire en sorte que la prise de courant soit bien située.

**CONSERVER CES CONSIGNES**

**▲ AVERTISSEMENT** Le moteur de la pompe est équipé d'un protecteur thermique à remise en marche automatique et peut démarrer brusquement.

NE PAS brancher la pompe au courant en se tenant debout dans l'eau ou sur une surface mouillée ou humide.

NE PAS utiliser la pompe dans des eaux contenant des poissons (l'huile du moteur peut tuer les poissons).

NE PAS lever la pompe par son cordon électrique.

Protéger le cordon électrique contre les objets tranchants, les surfaces chaudes, l'huile et les produits chimiques. Éviter de faire des nœuds avec le cordon.

Débrancher la pompe avant de procéder à son entretien ou de la nettoyer.

Immobiliser le tuyau de refoulement avant de démarrer la pompe. Un tuyau non immobilisé pourrait agir comme un fouet et causer des blessures corporelles et des dommages matériels.

Garder la pompe, la base et la grille d'arrivée exemptes de débris et de corps étrangers.

**Avertissement lié à la Proposition 65 de la Californie**

**▲ AVERTISSEMENT** Ce produit et les accessoires connexes contiennent des produits chimiques reconnus dans l'État de la Californie comme pouvant provoquer des cancers, des anomalies congénitales ou d'autres dangers relatifs à la reproduction.

**CARACTÉRISTIQUES TECHNIQUES**

Alimentation requise ..... 115V, 60HZ  
Température du liquide (gamme) ..... Max. 25°C (77°F)  
Position en marche..... Verticale  
Circuit de dérivation individuel requis ..... 15 amp.  
Profondeur durant  
fonctionnement Début min. .... 19,1mm (3/4")  
(niveau d'eau) Fin max..... 6,4mm (1/4")  
Déversement ..... 1" NPT

**DESCRIPTION**

La pompe submersible est conçue pour pomper l'eau des couvertures de piscines de maison. Cette pompe est en plastique à résistance très élevée aux chocs et à la corrosion. L'orifice d'admission est protégé par une crépine qui empêche les grosses matières solides de pénétrer dans la pompe.

**NOTA :** Cette pompe n'est pas conçue pour pomper de l'eau salée ni de la saumure! La garantie sera annulée si cette pompe est utilisée pour pomper de l'eau salée ou de la saumure.

**RENDEMENT**

LPH (GPH) À UN NOMBRE TOTAL DE MÈTRES (PIEDS)						
0,91 (3')	1,52 (5')	3,05 (10')	4,57 (15')	5,49 (18')	6,09 (20')	6,70 (22')
5 337 L (1410 gal)	4 997 L (1320 gal)	4 088 L (1080 gal)	3 180 L (840 gal)	2 385 L (630 gal)	1 590 L (420 gal)	0 L (0 gal)

**INSTALLATION**

**▲ AVERTISSEMENT** Tension dangereuse. Risque de secousses électriques, de brûlures, voire de mort. Ne pas utiliser le câble d'alimentation pour lever le moteur. Toujours faire usage des poignées.

1. Cette pompe doit toujours être en position debout sur sa base pendant le fonctionnement. Ne pas suspendre la pompe à l'aide du tuyau de refoulement ou du cordon électrique. Maintenir le filtre à l'admission propre.
2. Pour la pose d'un tuyau d'arrosage, tout d'abord poser l'adaptateur fourni avec la pompe.

**NOTA :** Pour garder le frottement au minimum, le diamètre du tuyau doit être de 5/8 de pouce au minimum et aussi court que possible.

3. Si, en fonction de l'utilisation, le refoulement représente un problème lorsque la pompe s'arrête, poser un clapet antiretour de 1 pouce NPT côté refoulement de la pompe.
4. Source d'alimentation: La pompe est conçue pour du 115V et 60HZ et requiert un circuit de dérivation individuel de 15 ampères ou plus. Elle est fournie avec un cordon trifilaire et une fiche de type mise à la terre et protégée par un disjoncteur de fuite à la terre pour une prise de courant trifilaire mise à la terre. Pour des raisons de sécurité, la pompe doit toujours être mise à la masse à un sol adéquate, avec un conduit d'eau, une canalisation métallique ou un système métallique reliés à la masse. Ne pas couper la dent ronde de mise à la masse.

**▲ AVERTISSEMENT** Risque de démarrages brusques, pouvant causer des secousses électriques ou le pincement des mains ou des outils. Le moteur de la pompe est équipé d'un protecteur contre les surcharges thermiques à réenclenchement automatique et il risque de redémarrer inopinément. Le déclenchement du protecteur est une indication que le moteur est surchargé suite à un fonctionnement sous haute pression de la pompe, à une tension excessivement haute ou basse, à un mauvais câblage, à de mauvaises connexions du moteur ou à un moteur ou à une pompe défectueux.

## FONCTIONNEMENT

**⚠ AVERTISSEMENT** **Risque de secousses électriques. Risque de brûlures, voire de mort.** Ne pas manipuler la pompe ni le moteur lorsqu'on a les mains humides ou lorsqu'on se tient sur une surface humide ou dans l'eau. Couper le courant avant de manipuler la pompe, de l'entretenir ou d'essayer de la réparer.

**NOTA :** Le cordon électrique pour cette pompe est équipé d'un disjoncteur de fuite à la terre. Le disjoncteur arrêtera la pompe s'il y a une fuite de courant électrique du moteur de la pompe ou du cordon à la terre. Si la pompe ne répond pas lorsqu'elle est branchée, la débrancher, réarmer le disjoncteur de fuite à la terre (appuyer sur la touche RESET sur la fiche) et rebrancher la pompe. Si elle ne répond toujours pas, s'assurer que le disjoncteur du circuit de dérivation est en position « on » (fermée). Si le disjoncteur est fermé et la pompe ne répond pas, consulter un électricien qualifié. **NE PAS ESSAYER DE MODIFIER** le cordon ou la fiche, et ne pas enlever le disjoncteur.

Le fonctionnement de la pompe électronique pour couverture de piscine est entièrement automatique. Le contrôleur « intelligent » démarre périodiquement la pompe pour détecter s'il y a présence d'eau. Si la pompe détecte de l'eau, elle fonctionnera occasionnellement de temps en temps pour déterminer si elle doit pomper l'eau ou si elle ne fait qu'agiter une petite flaque d'eau. Si la pompe ne détecte pas d'eau, son cycle de démarrage augmentera progressivement. Dès qu'elle détectera la présence d'eau, la séquence se répétera.

**NOTA :** Lorsque la pompe est branchée dans la prise de courant, elle démarrera et fonctionnera pendant 5 secondes. Le contrôleur fera ensuite fonctionner la pompe comme il est décrit ci-dessus.

Si la pompe est mise dans l'eau, puis qu'on la démarre et qu'ensuite on interrompt le débit dans la pompe pendant son fonctionnement de détection d'eau de 5 secondes, la pompe attendra 2-1/2 minutes avant de redémarrer.

1. Le moteur est équipé d'un protecteur contre les surcharges thermiques à réenclenchement automatique. Si le moteur surchauffe, le protecteur contre les surcharges arrêtera le moteur avant qu'il soit endommagé. Dès que le moteur aura suffisamment refroidi, le protecteur contre les surcharges réenclenchera le moteur qui redémarrera.

**NOTA :** Si le protecteur contre les surcharges arrête la pompe de façon répétitive, débrancher la pompe et déterminer le problème. Une basse tension, un impulseur bouché, une contre-pression trop importante dans le tuyau de refoulement (comme pomper de l'eau dans un tuyau enroulé ayant jusqu'à 50 pieds [15 mètres]) ou un fonctionnement prolongé à vide de la pompe causera une surchauffe.

2. L'eau pompée refroidit le moteur, ce qui permet à la pompe de fonctionner continuellement à condition que la profondeur de l'eau soit supérieure à 1/4 de pouce. Toutefois, si une surcharge du moteur arrête la pompe, le laisser refroidir pendant une heure avant de le redémarrer. Le moteur ne redémarrera pas tant que la surcharge n'aura pas refroidi.

## ROTOR BLOQUÉ

Pour démarrer la pompe manuellement, la débrancher, puis la rebrancher.

1. Si le rotor est toujours bloqué, DÉBRANCHER LA POMPE, déposer le socle, le protecteur et le filtre, puis nettoyer le rotor.

**⚠ AVERTISSEMENT** **Risque de secousses électriques dangereuses ou mortelles.** Débrancher la pompe du courant électrique avant de démonter la pompe ou de nettoyer le rotor.

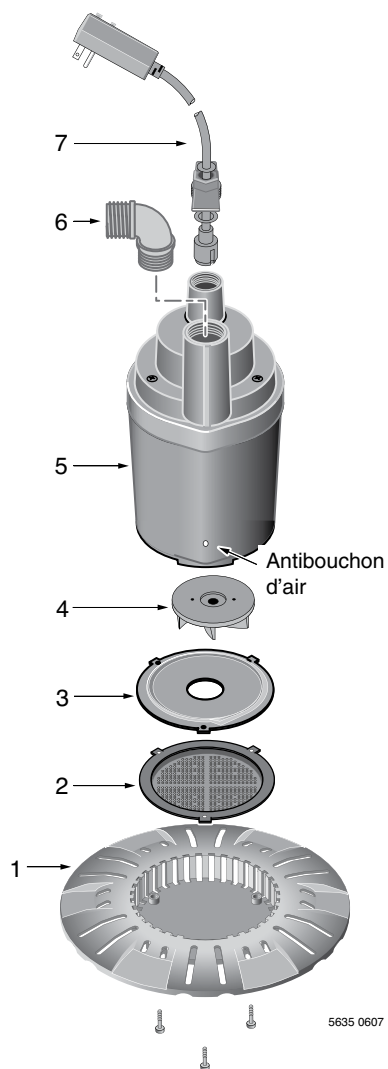
2. Se référer à la page 4 pour des renseignements importants au sujet de l'orientation du filtre et du protecteur lors du remontage de ceux-ci. Noter que la pompe ne fonctionnera pas adéquatement s'ils ne sont pas correctement posés.
3. Une fois que la pompe est remontée, la replacer sur la couverture de piscine et la brancher de nouveau pour reprendre le fonctionnement normal.

## BOUCHON D'AIR

Si un bouchon d'air se forme dans la pompe, elle fonctionnera mais ne débitera pas d'eau. Un bouchon d'air causera la surchauffe de la pompe, puis sa panne. Le corps de cette pompe comporte, à sa partie inférieure, un trou antibouchon. Si l'on soupçonne un bouchon d'air, débrancher la pompe, nettoyer le trou antibouchon d'air avec un trombone ou un morceau de fil de fer, puis redémarrer la pompe.

**REMARQUE :** Si la sortie du tuyau de refoulement est immergée, il faudra un trou de 0,32 cm (1/8 po) dans le tuyau de refoulement afin d'empêcher les bouchons d'air. Ce trou doit toujours être ouvert à l'air libre.

**REMARQUE :** Si la pompe est déplacée ou s'il y a un bouchon d'air dans la pompe, s'assurer de vidanger le tuyau avant de tenter de redémarrer la pompe.



## PIÈCES DE RECHANGE

Réf.	Description	Qté	N° de pièce
1	Base	1	PS70-83
2	Filtre	1	PS8-6P
3	Protecteur	1	PS70-3P
4	Impulseur	1	PS5-25P
5	Moteur	1	**
6	Adaptateur 90° de tuyau d'arrosage	1	PS74-78
7	Câble d'alimentation	1	PS17-1505

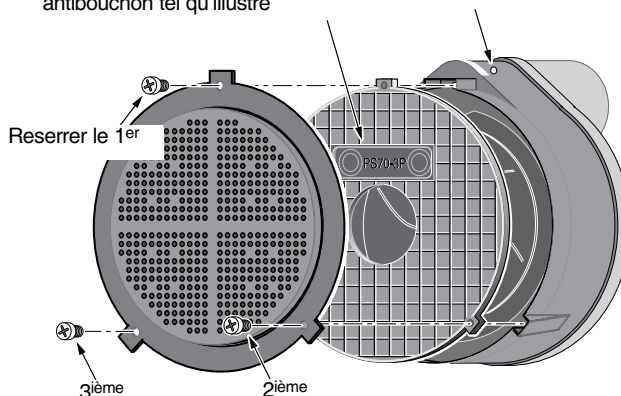
**REMARQUE :** Pour acheter un clapet antiretour, appeler le service à la clientèle au 1 (800) 365-6832 et commander le numéro de pièce suivant : PW73-63.

\*\* Si le moteur tombe en panne, remplacer la pompe.

- Non représenté.

Insérer les vis à travers la base.  
(La base est omise pour fins de clarté)

Aligner le numéro de pièce au trou  
antibouchon tel qu'illustré



**Assembler le filtre et le protecteur tel qu'illustré.**

## RECHERCHE DES PANNES

**⚠ AVERTISSEMENT** Risque de secousses électriques et de démarrages soudains.  
Débrancher la pompe de la prise de courant avant de la réparer ou de l'entretenir.

SYMPTÔMES	CAUSE(S) PROBABLE(S)	ACTION CORRECTIVE
La pompe ne démarre pas	Le fusible a sauté La tension est faible  Le moteur est défectueux Roue hélice	S'il a sauté, le remplacer avec un fusible de la taille appropriée Si la tension est inférieure au minimum recommandé, vérifier la taille du câblage depuis l'interrupteur principal sur place. Si tout est en règle, contacter la compagnie d'électricité Remplacer la pompe Retirer la base et le filtre, repérer la source de l'obstruction
La pompe fonctionne mais elle déverse peu ou pas d'eau	La tension est faible Quelque chose obstrue la roue hélice Tuyau d'arrosage de petit diamètre ou conduite de refoulement longue clapet antiretour monté sans trou d'évent Bouchon d'air  Le tuyau est enroulé en serpentín ou plié	Appeler la compagnie d'électricité Nettoyer la roue hélice  Utiliser un tuyau souple de 1 pouce ou un tuyau d'arrosage de plus grand diamètre. Éliminer toute longueur de tuyau souple en trop. Des tuyaux souples courts fonctionnent mieux Percer un trou d'un diamètre de 1,6 - 3,2mm (1/16" - 1/8") entre la voie de déversement de la pompe et la le clapet antiretour Arrêter la pompe pendant quelques secondes, nettoyer le trou antibouchon d'air, puis redémarrer la pompe Le redresser



## Conserver le reçu de caisse original aux fins d'admissibilité à la garantie

### Garantie limitée

La présente garantie limitée est entrée en vigueur le 1er juin 2011 et remplace toute garantie non datée ou antérieure à cette date. SIMER garantit à l'acheteur/au consommateur d'origine (l'Acheteur) que ses produits sont exempts de tout vice de matériau et de fabrication. Cette garantie est valable pendant douze (12) mois à partir de la date d'achat d'origine. Si, dans les douze (12) mois suivant la date d'achat d'origine, un produit se révèle défectueux, il doit être réparé ou remplacé, à la discrétion de SIMER, selon les modalités énoncées aux présentes. Il est à noter que la présente garantie limitée s'applique aux défauts de fabrication seulement. Elle ne couvre pas l'usure normale. Tout dispositif mécanique doit faire l'objet d'un entretien périodique pour veiller à son bon fonctionnement. La présente garantie limitée ne couvre pas les réparations attribuables à l'usure normale d'une pièce ou de l'équipement.

Le reçu de caisse original et l'étiquette d'information sur la garantie sont nécessaires pour déterminer l'admissibilité à la garantie. Cette dernière est établie en fonction de la date d'achat de l'article et non de la date de son remplacement sous garantie. La garantie se limite à la réparation ou au remplacement de l'article original seulement et ne couvre pas l'article de rechange (c.-à-d. un article remplacé sous garantie par achat). L'Acheteur assume les frais de retrait, d'installation, de transport et tous les frais accessoires.

Pour obtenir des pièces ou de l'aide technique, NE PAS retourner le produit au détaillant. Contacter le service à la clientèle de SIMER au 800 468-7867.

Toute demande de règlement en vertu de la présente garantie doit être faite en retournant l'article (à l'exception des pompes de puisard; voir la marche à suivre ci-dessous) au magasin où celui-ci a été acheté dès qu'une défectuosité est soupçonnée. SIMER prendra les mesures correctives nécessaires dans un délai rapide et raisonnable. Aucune demande de réparation ne sera acceptée plus de 30 jours après l'expiration de la garantie.

La garantie ne peut être cédée et ne s'applique pas aux produits utilisés à des fins commerciales ou de location.

### Pompes d'eaux d'égout

NE PAS RETOURNER une pompe d'eaux d'égout (qui a été installée) au détaillant. Communiquer avec le service à la clientèle de SIMER. Les pompes d'eaux d'égout qui ont été utilisées, puis retirées présentent un risque de contamination.

En cas de défaillance de la pompe d'eaux d'égout :

- Porter des gants en caoutchouc pour manipuler la pompe.
- À des fins de garantie, retourner l'étiquette figurant sur le cordon de la pompe et l'original du reçu au détaillant.
- Mettre la pompe au rebut conformément à la réglementation locale.

### Exceptions à la garantie limitée de douze (12) mois

Produit	Période de garantie
BW85P, M40P	90 jours
2115, 2300, 2310, 2330, 2883, 2886, 2943, 2955, 2956, 2957, A5300, A5500	2 ans
Pompe pour puits submersibles de 4 pouces, 2945, 2958, 2975PC, 3075SS, 3963, 3984, 3995, 4185, 4185P, 4186, 4188, 4190	3 ans
Réservoir préchargé de système d'eau, 3985, 3986, 3988, 3989, 5910, 5950, 5955, 5965, 5975	5 ans

### Modalités générales et restriction des recours

L'Acheteur doit payer tous les frais de main d'œuvre et de transport nécessaires au remplacement du produit garanti couvert par cette garantie. Cette garantie ne s'applique pas à ce qui suit : (1) Les catastrophes naturelles; (2) Les produits qui, selon SIMER, ont fait l'objet d'une négligence, d'une utilisation abusive, d'un accident, d'une mauvaise application ou d'une altération; (3) Les défaillances dues à une installation, une utilisation, un entretien ou un entreposage inappropriés; (4) Une application, une utilisation ou une réparation atypique ou non approuvée; (5) Les défaillances causées par la corrosion, la rouille ou d'autres matériaux étrangers au système, ou par une utilisation à une pression supérieure au maximum recommandé.

Cette garantie établit la responsabilité unique de SIMER et le recours exclusif de l'Acheteur en cas de produit défectueux.

SIMER NE POURRA TRE TENUE RESPONSABLE DE TOUT DOMMAGE INDIRECT OU CONSÉCUTIF QUEL QU'IL SOIT.

LA GARANTIE LIMITÉE SUSMENTIONNÉE EST EXCLUSIVE ET REMPLACE TOUTES LES AUTRES GARANTIES EXPRESSES ET TACITES, Y COMPRIS, MAIS SANS S'Y LIMITER, LES GARANTIES DE QUALITÉ MARCHANDE ET D'ADAPTATION À UN USAGE PARTICULIER. LA GARANTIE LIMITÉE SUSMENTIONNÉE NE DOIT PAS ÊTRE PROLONGÉE AU-DELÀ DE LA DURÉE PRÉVUE AUX PRÉSENTES.

Certains États ne permettent pas l'exclusion ou la limitation des dommages indirects ou consécutifs, ni les limitations relatives à la durée des garanties implicites. Par conséquent, il se peut que les limitations ou les exclusions ci-dessus ne s'appliquent pas. Cette garantie procure des droits juridiques précis à l'Acheteur. Cependant, il est possible de bénéficier d'autres droits, qui varient selon l'État.

**SIMER • 293 Wright Street • Delavan, WI U.S.A. 53115**

**Téléphone : 800 468-7867 • Télécopieur : 800 390-5351 • [www.simerpump.com](http://www.simerpump.com)**

SEGURIDAD GENERAL

**IMPORTANTES INSTRUCCIONES DE SEGURIDAD**

Cuando instale y use este equipo eléctrico, deben observarse siempre precauciones de seguridad básicas, entre las que se incluyen las siguientes:

**LEA Y SIGA TODAS LAS INSTRUCCIONES**

**⚠ ADVERTENCIA** Para reducir el riesgo de lesión, no permita que los niños utilicen este producto a menos que estén siendo supervisados atentamente en todo momento.

**⚠ ADVERTENCIA** Riesgo de descarga eléctrica. Conectar sólo a un recipiente tipo conexión a tierra bien puesto a tierra. La bomba requiere corriente monofásica de 115 voltios. La bomba está protegida por un disyuntor incorporado en el enchufe. No modifique el cable, el enchufe o el disyuntor.

No entierre el cable. Ubique el cable para minimizar el abuso por las máquinas de cortar césped, cortadoras de setos y otro equipo.

**⚠ ADVERTENCIA** Para reducir el riesgo de descarga eléctrica, cambie el cable dañado inmediatamente.

**⚠ ADVERTENCIA** Para reducir el riesgo de descarga eléctrica, no utilice un alargador para conectar el aparato al suministro eléctrico; proporcione un tomacorriente ubicado adecuadamente.

**CONSERVE ESTAS INSTRUCCIONES**

**⚠ ADVERTENCIA** El motor de la bomba está equipado con un protector térmico de reajuste automático y puede volver a ponerse en marcha inesperadamente.

NO enchufe la bomba mientras esté parado en agua o en una superficie mojada o húmeda.

NO la use en agua donde haya peces (el gasoil en el motor puede matar a los peces).

NO levante la bomba por el cordón de alimentación.

Proteja el cable eléctrico de objetos filosos, superficies calientes, aceite y productos químicos. Evite enroscar el cable.

Desenchufe la bomba antes de repararla o de intentar limpiarla.

Asegure la manguera de impulsión antes de poner en marcha la bomba. Una manguera de impulsión no asegurada puede golpear y causar lesión personal o daño a la propiedad.

Mantenga la bomba, la base y el filtro de entrada sin desechos ni objetos extraños.

**Advertencia de la Proposición 65 de California**

**⚠ ADVERTENCIA** Este producto y accesorios relacionados contienen sustancias químicas reconocidas en el Estado de California como causantes de cáncer, malformaciones congénitas y otros daños al sistema reproductivo.

**ESPECIFICACIONES**

Corriente requerida ..... 115V, 60 Hz  
 Rango temperatura del líquido ..... Máx. 25°C (77°F)  
 Posición de operación ..... Vertical  
 Requiere un ramal individual ..... 15 A  
 Nivel de operación Mín. inicial ..... 19,1 mm (3/4")  
 (nivel de agua) Máx. final ..... 6,4 mm (1/4")  
 Descarga ..... 1" NPT

**DESCRIPCIÓN**

La bomba sumergible está diseñada para la extracción de agua de las cubiertas de piscinas en aplicaciones de piscinas domésticas. La bomba está fabricada de plástico de alto impacto resistente a la corrosión. El filtro de entrada y la base evitan que entren a la bomba grandes sustancias sólidas y protegen la cubierta de la piscina.

**AVISO:** Esta unidad no ha sido diseñada para uso con agua salada o salubre. El uso con agua salada o salubre anulará la garantía.

**RENDIMIENTO**

LPH (GPH) A METROS (PIES) TOTALES						
0,91 (3')	1,52 (5')	3,05 (10')	4,57 (15')	5,49 (18')	6,09 (20')	6,70 (22')
5 337 L (1410 gal)	4 997 L (1320 gal)	4 088 L (1080 gal)	3 180 L (840 gal)	2 385 L (630 gal)	1 590 L (420 gal)	0 L (0 gal)

**INSTALACIÓN**

**⚠ ADVERTENCIA** Tension peligrosa. Puede causar choque, quemaduras, o muerte. No levante el motor por el cordón de alimentación. Use siempre la manija.

1. La bomba debe estar siempre en posición vertical sobre la base cuando esté en funcionamiento. No suspenda la bomba mediante la manguera de impulsión o el cordón de alimentación. Mantenga limpio el filtro de entrada de la bomba.
2. Para instalar una manguera de jardín, instale primero el adaptador suministrado con la bomba.

**ATENCION:** Para mantener la fricción reducida a un mínimo, la manguera debe tener un diámetro de 5/8" o más grande. La manguera debe ser tan corta como sea posible.

3. Si, en su aplicación, el retroflujo es un problema cuando la bomba se detiene, evítelo instalando una válvula de retención de 1" NPT en la descarga de la bomba.
4. Fuente de alimentación: La bomba está diseñada para operar a 115V y 60 Hz y requiere un ramal individual de 15 amperes o más de capacidad. Se suministra con un juego de cordón de 3 alambres con enchufe tipo conexión a tierra protegido por un disyuntor para ser utilizado en un tomacorriente puesto a tierra de 3 alambres. Por razones de seguridad, la bomba debe estar conectada siempre a una tierra eléctrica adecuada tal como una tubería de agua conectada a tierra o una canalización eléctrica metálica conectada a tierra de forma adecuada o un sistema de cables conectado a tierra. No corte la clavija redondeada de tierra.

**⚠ ADVERTENCIA** Riesgo de arranques repentinos. Puede provocar un choque eléctrico o puede apretar las manos o las herramientas. El motor de la bomba viene equipado con un protector térmico de reposición automática y puede volver a arrancar inesperadamente. El disparo del protector indica que el motor se está recalentando como consecuencia de que la bomba está funcionando a una presión alta, de que existe una tensión excesivamente alta o baja, un cableado incorrecto, conexiones incorrectas del motor o un motor o una bomba defectuosos.

## OPERACIÓN

**⚠ ADVERTENCIA** **Riesgo de choque eléctrico. Puede producir quemaduras o la muerte.** No maneje la bomba ni el motor de la bomba con manos húmedas o cuando esté parado sobre superficies húmedas o mojadas, o sobre agua. Desconecte la corriente eléctrica de la bomba antes de realizar trabajos de mantenimiento o reparaciones en la bomba.

**NOTA:** El cordón eléctrico para esta bomba viene equipado con un Disyuntor de Escape a Tierra ("GFCI", según sus siglas en inglés). El GFCI apagará la bomba en caso de haya una fuga de corriente eléctrica desde el motor o el cordón de la bomba a tierra. Si la bomba no responde cuando esté enchufada, desenchúfela, reposicione el GFCI (oprima el botón de REPOSICIÓN (RESET) en la ficha) y vuelva a enchufarla. Si aún no responde, verifique que el disyuntor para el ramal esté en la posición encendida (cerrado). Si el disyuntor está cerrado y la bomba no responde, consulte con un electricista certificado. NO TRATE DE MODIFICAR el cordón ni la ficha, ni retire el GFCI.

La Bomba electrónica para cubierta de piscina es de funcionamiento totalmente automático. El controlador "inteligente" enciende la bomba periódicamente para detectar si hay agua. Si detecta agua funcionará por un período de tiempo, deteniéndose ocasionalmente por unos segundos y volviéndose a encender para verificar que haya agua para remover y no solamente un pequeño charco. Si no se detecta agua, la demora del ciclo de marcha aumentará gradualmente. Tan pronto como se detecte agua, la secuencia se volverá a repetir.

**AVISO:** Cuando enchufe la bomba en el tomacorriente, se pondrá en marcha y funcionará por 5 segundos. Luego iniciará el ciclo descrito anteriormente. Luego comenzará el ciclo que se describe arriba.

Si la unidad se coloca en el agua y se pone en funcionamiento, interrumpiendo el flujo de agua hacia la bomba durante la operación de detección de agua de 5 segundos, ésta esperará 2-1/2 minutos antes de volver a comenzar.

1. El motor viene equipado con un protector de sobrecarga térmica que se vuelve a graduar automáticamente. Si el motor se recalienta, el protector de sobrecarga detiene el motor antes de que se perjudique. Cuando el motor se ha enfriado lo suficiente, el protector de sobrecarga se gradúa automáticamente y vuelve a arrancar el motor.

**AVISO:** Si el protector de sobrecarga detiene la operación de la bomba repetidamente, desconecte la corriente eléctrica de la bomba e inspeccione para encontrar el problema. Tensiones bajas, impulsores bloqueados, demasiada presión en la manguera de descarga (como en los casos en que se bombea a través de 50 pies - 15 metros - de manguera enredada), o una operación prolongada de la bomba sin carga, pueden causar recalentamiento.

2. El agua que se bombea enfría el motor, lo que permite que la bomba continúe funcionando a cualquier profundidad de agua por encima de 1/4 de pulgada. Sin embargo, si la sobrecarga del motor detiene la bomba, deje que se enfríe por una hora antes de volver a encenderla. El motor no volverá a funcionar antes de que la sobrecarga se haya enfriado.

## ROTOR BLOQUEADO

Para reiniciar la bomba manualmente, desenchúfela y enchúfela nuevamente.

1. Si el rotor está bloqueado, DESENCHUFE LA BOMBA, retire la base, el casco y el filtro y limpie el rotor.

**⚠ ADVERTENCIA** **Riesgo de descarga eléctrica peligrosa o mortal.**

Desconecte la bomba de la fuente de alimentación antes de desmontar la bomba o de limpiar el rotor.

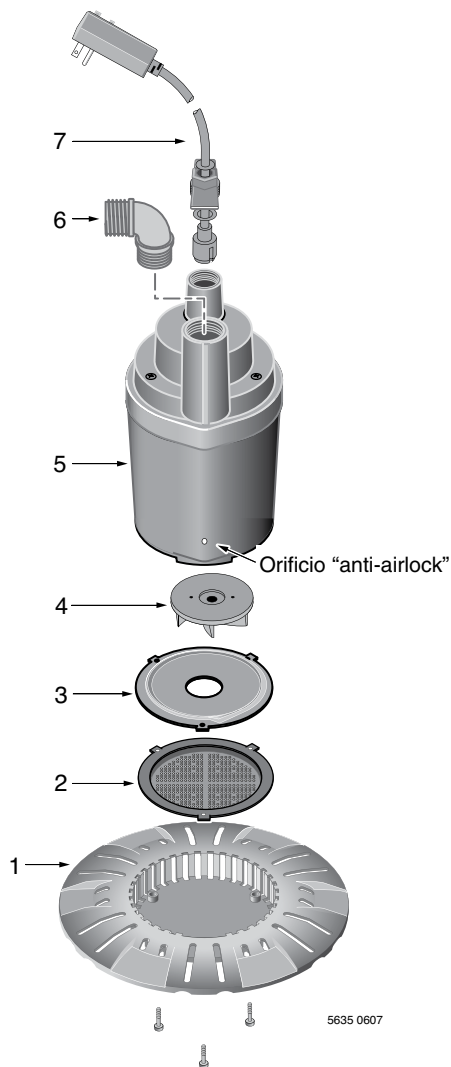
2. Véase la página 4 para consultar información importante sobre el alineamiento del filtro y el casco cuando vuelva a ensamblarlos. Observe que la bomba no funcionará correctamente si estas piezas no están instaladas de forma correcta.
3. Una vez que haya vuelto a ensamblar la bomba, vuelva a ponerla en la cubierta de la piscina y vuelva a enchufarla para que continúe el funcionamiento normal.

## BOLSAS DE AIRE ("AIRLOCK")

Cuando el flujo de la bomba disminuye o se para debido a bolsas de aire, la bomba marcha pero no mueve agua. Una bolsa de aire puede hacer que la bomba se recaliente y falle. Esta bomba posee un orificio "anti-airlock" en el costado de la unidad. Si usted sospecha que hay una bolsa de aire, desenchufe la bomba, limpie el orificio "anti-airlock" con un clip de papel o un trozo de alambre y vuelva a activarla.

**AVISO:** Si el tomacorriente de la manguera de impulsión está sumergido debe tener un orificio de 1/8" en la manguera para evitar bolsas de aire. Este orificio debe estar abierto al aire.

**AVISO:** Si mueve la bomba o si hay bolsas de aire en la bomba, asegúrese de drenar la manguera antes de tratar de volver a encender la bomba.



## REPUESTOS

Clave	Descripción	Cant.	N° de Pieza
1	Base	1	PS70-83
2	Filtro	1	PS8-6P
3	Protector térmico	1	PS70-3P
4	Impulsor	1	PS5-25P
5	Motor	1	**
6	Adaptador de manguera de jardín de 90°	1	PS74-78
7	Cordón de alimentación	1	PS17-1505

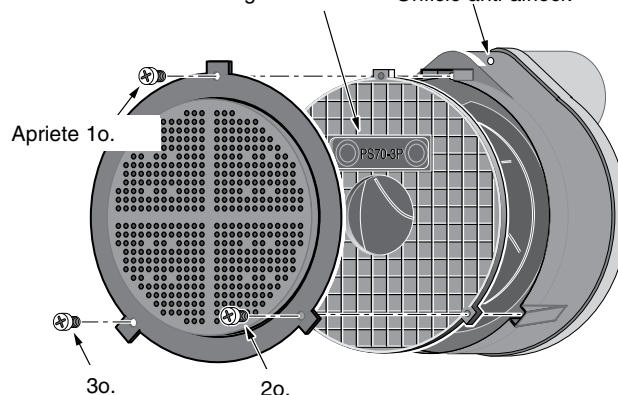
AVISO: Para adquirir una válvula de retención, llame al Departamento de Atención al Cliente, 1-800-365-6832 y encargue el repuesto PW73-63.

\*\* Si el motor falla, reemplace la bomba.

- No ilustrado.

Insertar los tornillos a través de la base.  
(No se muestra la base para mayor claridad)

Dirija el número de la pieza con el orificio anti-airlock según se ilustra Orificio anti-airlock



Ensamble la pantalla y el casco según se ilustra.

## LOCALIZACIÓN DE FALLAS

**⚠ ADVERTENCIA** Riesgo de choque eléctrico y arranque repentino.

Desconecte la corriente eléctrica a la bomba antes de tratar de localizar una falla o de realizar trabajos en la misma.

SÍNTOMA	CAUSAS PROBABLES	SOLUCIÓN
La bomba no arranca o no funciona	Fusible fundido Bajo voltaje de línea  Motor defectuoso Impulsor	Si está fundido, reemplácelo por un fusible del tamaño adecuado Si el voltaje es inferior al mínimo recomendado, compruebe el tamaño de los cables procedentes del interruptor principal de las instalaciones. Si está bien, consulte con la compañía eléctrica Reemplace la bomba Saque la base y el filtro, ubique la fuente de fijación
La bomba funciona pero no suministra agua o muy poca agua	Bajo voltaje de línea Objeto atascado en el rodete Manguera de jardín de diámetro chico o línea de descarga larga Examine la válvula instalada sin respiradero Bolsa de aire (disminución de flujo) Espirales o dobleces en la manguera	Llame a la compañía de electricidad Limpie el impulsor Use una manguera de jardín de mayor diámetro o un tubo flexible de 1". Deseche el exceso de manguera. Las mangueras cortas funcionan mejor  Taladre un agujero de 1,6 a 3,2 mm (1/16" a 1/8") de diámetro entre la descarga de la bomba y la válvula de retención Apague la bomba por unos segundos, limpie el orificio "anti-airlock" y luego vuelva a activarla Enderece la manguera

**Si necesita repuestos o asistencia llame al Servicio al Cliente de Simer, 1-800-468-7867**

**Retener el recibo original a fin de determinar la elegibilidad para la garantía**

**Garantía limitada**

Esta Garantía Limitada entra en vigor el 1 de junio de 2011 y sustituye toda garantía sin fecha o garantía con fecha anterior al 1 de junio de 2011.

SIMER le garantiza al comprador consumidor original (el "Comprador" o "Usted") de sus productos, que éstos estarán libres de defectos en materiales y en mano de obra por un período de doce (12) meses, a partir de la fecha de la compra original del consumidor. Si dentro de los doce (12) meses a partir de la fecha de la compra inicial del consumidor, será reparado o reemplazado a opción de la SIMER, sujeto a los términos y condiciones establecidos en la presente. Tome nota de que esta garantía limitada cubre defectos de manufactura solamente y no el desgaste común. Todos los aparatos mecánicos periódicamente necesitan repuestos y servicio para un funcionamiento correcto. Esta garantía limitada no cubre las reparaciones que se realicen cuando el uso normal haya agotado la vida útil de una pieza o del aparato.

Es necesario retener el recibo de compra original y la etiqueta de información de la garantía a fin de determinar la elegibilidad para la garantía. La elegibilidad se basa en la fecha de compra del producto original - no en la fecha del reemplazo bajo la garantía. La garantía es limitada y cubre solamente la reparación o el reemplazo del producto original adquirido, no del producto reemplazado (es decir que se permite un reemplazo por compra bajo la garantía). El comprador pagará todos los costos de remoción, instalación, mano de obra y envío necesarios, así como todo costo adicional asociado.

Si necesita piezas o resolución de problemas, NO regrese el producto a la tienda minorista. Llame el Servicio a la Clientela de SIMER al 800-468-7867.

Las reclamaciones hechas bajo esta garantía se realizarán mediante la devolución del producto (a excepción de las bombas cloacales - ver a continuación) al concesionario de venta al público en donde se haya adquirido, inmediatamente después de haber descubierto cualquier presunto defecto. SIMER entonces tomará la medida correctiva tan pronto como sea razonablemente posible. No se aceptarán solicitudes de servicio, si se reciben más de 30 días después del vencimiento de esta garantía.

La garantía no es transferible y no cubre productos utilizados en aplicaciones comerciales o de alquiler.

**Bombas cloacales**

NO devuelva una bomba cloacal (que se haya instalado) a su tienda minorista. Comuníquese con el Departamento de Atención al Cliente de SIMER. Las bombas cloacales que hayan estado en servicio y se hayan removido pueden representar un peligro de contaminación.

Si su bomba cloacal ha fallado:

- Use guantes de caucho cuando manipule la bomba;
- Para los fines de la garantía, devuelva la etiqueta del cordón de la bomba y el recibo de compra original a la tienda minorista;
- Descarte la bomba cumpliendo con todas las normas locales que correspondan para su eliminación.

**Excepciones para la garantía limitada de doce (12) meses**

Producto	Período de garantía
BW85P, M40P	90 días
2115, 2300, 2310, 2330, 2883, 2886, 2943, 2955, 2956, 2957, A5300, A5500	2 años
Bombas de pozo sumergibles de 4", 2945, 2958, 2975PC, 3075SS, 3963, 3984, 3995, 4185, 4185P, 4186, 4188, 4190	3 años
Tanque precargado del sistema de agua, 3985, 3986, 3988, 3989, 5910, 5950, 5955, 5965, 5975	5 años

**Términos y condiciones generales; Limitación de recursos**

Usted deberá pagar por todos los gastos de mano de obra y de envío necesarios para reemplazar el producto cubierto por esta garantía. Esta garantía no se aplicará en las siguientes situaciones: (1) caso de fuerza mayor (2) productos que, a sólo juicio de SIMER hayan sido sometidos a negligencia, abuso, accidente, mala aplicación, manejo indebido o alteraciones; (3) fallas debido a instalación, operación, mantenimiento o almacenamiento inadecuados; (4) aplicaciones, usos o servicios que no sean normales o aprobados; (5) fallas provocadas por corrosión, herrumbre u otros materiales extraños en el sistema, o una operación a presiones que excedan los máximos recomendados.

Esta garantía establece la única obligación de SIMER y el recurso exclusivo del Comprador con respecto a los productos defectuosos. SIMER NO SE HARÁ RESPONSABLE DE NINGÚN DAÑO CONSECUENTE, INCIDENTAL O CONTINGENTE.

LAS GARANTÍAS LIMITADAS QUE ANTECEDEN SON EXCLUSIVAS Y EN LUGAR DE TODA OTRA GARANTÍA EXPLÍCITA E IMPLÍCITA, INCLUYENDO, PERO SIN LIMITARSE A LAS GARANTÍAS IMPLÍCITAS DE COMERCIABILIDAD E IDONEIDAD PARA UN FIN ESPECÍFICO. LAS GARANTÍAS LIMITADAS QUE ANTECEDEN NO SE EXTENDERÁN MÁS ALLÁ DEL PERÍODO DE DURACIÓN INDICADO EN LA PRESENTE.

Algunos Estados no permiten la exclusión o limitación de daños incidentales o consecuentes o de limitaciones de tiempo sobre garantías implícitas, de modo que es posible que las limitaciones o exclusiones que preceden no correspondan en su caso. Esta garantía le otorga derechos legales específicos y es posible que Usted también tenga otros derechos que pueden variar de un Estado al otro.

**SIMER • 293 Wright Street • Delavan, WI U.S.A. 53115**  
**Teléfono: 800-468-7867 • Fax: 800-390-5351 • www.simerpump.com**

THIS PAGE INTENTIONALLY LEFT BLANK

THIS PAGE INTENTIONALLY LEFT BLANK

