



# Pentaflex Series

7.0 GPM HIGH PRESSURE PUMPS

**Flojet Pentaflex® Series 7.0 GPM High Pressure Pumps - the industry's most powerful diaphragm pumps in it's class and price range.**

The Flojet Pentaflex pumps are engineered and constructed with the latest co-injection mold diaphragm technology, which virtually eliminates potential leak paths. This latest innovation offers unequaled pump performance and life.

Also, Flojet's unique five chamber design allows these pumps to operate at exceptional flow rates and pressures. With operating pressures exceeding 60 psi and self-priming capabilities exceeding 10ft, Flojet Pentaflex pumps are designed to be the most versatile pumps on the market today.

The Flojet Pentaflex series high pressure pumps are available now in 12 and 24V DC models, and being made from Santo/EPDM and Santo/Viton makes them capable of handling some tough chemicals without corroding.

## Features and Benefits

- Unrivaled 7 gallons per minute
- High pressure / high capacity
- Self-priming even when dry
- Corrosion resistant
- Easy, low-cost and convenient servicing
- Long life sealed motor



**FLOJET**  
a xylem brand

# Pentaflex Series 7.0 GPM HIGH PRESSURE PUMPS

## Pentaflex 7.0 outperforms the competition in performance and affordability!

In a side by side comparison, the Flojet PentaFlex 7.0 series outperforms the competition hands down at a price that can't be beat! The Flojet Pentaflex series offers a powerful 5 chamber design that offers an unrivaled 6 gallons per minute at the standard operating pressure of 60 psi.

### Applications



#### • General Industrial

- Chemical washdown
- High Flow Intermittent Duty Application
- Spraying



#### • Agricultural

- Agricultural Spraying



#### • Construction

- Dewatering



#### • Water

- Water Systems



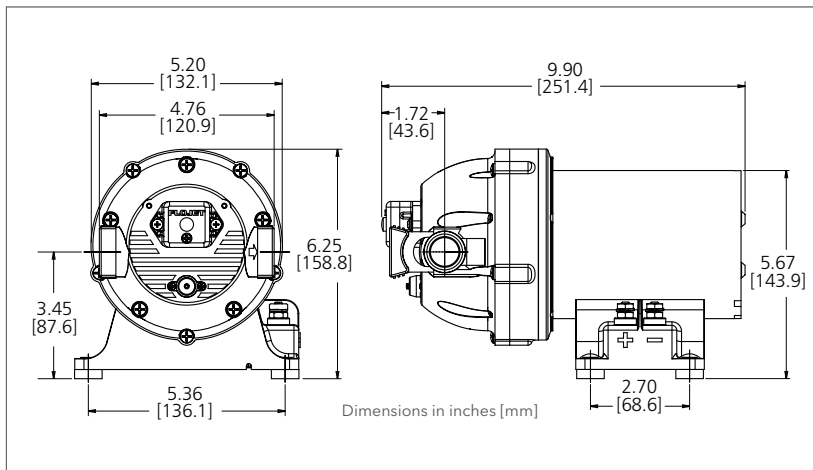
#### • Carwash

- Carwash Chemical Dispensing

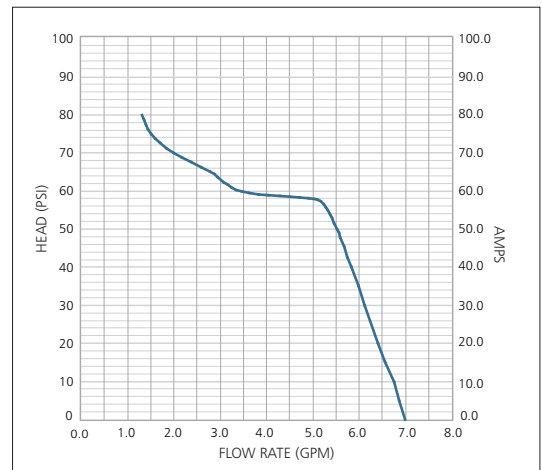
### Specifications

Pump Design	Motor operated 5 chamber diaphragm
Motor	Permanent magnet DC
Voltage	12/24V DC
Pump Head	Glass filled nylon
Elastomers	Diaphragm-Santoprene*; Check valves-EPDM or Viton
Max. Flow Rate	7.0 gpm 26.5 lpm
Max. Pressure	Switch cut-off 5.5 bar, max running pressure 4.1, bar max pressure 80 psi, max running pressure 60 psi
Max. Liquid Temp.	4 - Min, 71 - Max °C, 40 - Min, 160 - Max °F
Duty Cycle	Intermittent
Weight	6.35kg 14.0lb
Certifications	CE
Port Size inlet / outlet - Standard	3/4" (19mm)

### Dimensional Drawings



### Head-Flow Chart



Model #s	Volts	Switch PSI (BAR)	Bypass PSI (BAR)	Diaphragm	Check Valve	Open Flow GPM (LPM)	Fittings
R7300142A (available now)	12	80 (5.5)	Yes	Santoprene	EPDM	7.0 (26.5)	3/4" HB ST
R7300342A (available now)	24	80 (5.5)	Yes	Santoprene	EPDM	7.0 (26.5)	3/4" HB ST
R7300132A (available in June)	12	80 (5.5)	Yes	Santoprene	Viton	7.0 (26.5)	3/4" HB ST
R7300332A (available in June)	24	80 (5.5)	Yes	Santoprene	Viton	7.0 (26.5)	3/4" HB ST



Warranty: All products of the company are sold and all services of the company are offered subject to the company's warranty and terms and conditions of sale, copies of which will be furnished upon request. The information provided herein is for guidance only, it does not constitute a guarantee of the performance or specification of any individual product or component.

[www.xylem.com](http://www.xylem.com)

USA  
Xylem, Inc.  
Cape Ann Industrial Park  
Gloucester, MA 01930  
Tel: (978) 281-0440  
Fax: (978) 283-2619

UK  
Xylem, Inc.  
Bingley Road, Hoddesdon  
Hertfordshire EN11 0BU  
Tel: +44 (0) 1992 450145  
Fax: +44 (0) 1992 467132

GERMANY  
Xylem, Inc.  
Oststrasse 28  
22844 Norderstedt  
Tel: +49-40-53 53 73-0  
Fax: +49-40-53 53 73-11

JAPAN  
NHK Jabsco Company Ltd.  
3-21-10, Shin-Yokohama  
Kohoku-Ku, Yokohama, 222-0033  
Tel: +81-045-475-8906  
Fax: +81-045-477-1162

ITALY  
Xylem, Inc.  
Via Tommaseo, 6  
20059 Vimercate, Milano  
Tel: +39 039 685 2323  
Fax: +39 039 666 307