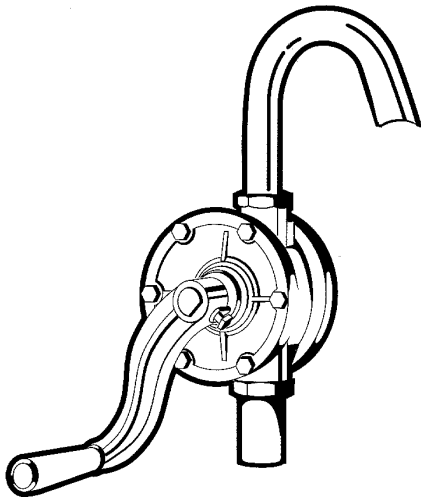


FILL-RITE®

S Standard Duty
One Year Warranty

SD62 ROTARY PUMP

Owner's Operation & Safety Manual



SAFETY INSTRUCTIONS

To ensure safe and efficient operation, it is essential to read and follow each of these warnings and precautions.

1. **Improper use or installation of this product can cause serious bodily injury or death.**
2. Do NOT smoke near pump or use pump near an open flame. Fire could result.



WARNING

This product should not be used for fluid transfer into aircraft. This product is not suited for use with fluids for human consumption or fluids containing water.

GENERAL DESCRIPTION

The Fill-Rite SD62 hand operated rotary vane transfer pump, with its smooth and easy turning handle, can deliver approximately 7.5 gallons of fluid per minute (100 revolutions).

TECHNICAL INFORMATION

Design Features:

- 1" NPT inlet, 1" O.D. discharge spout
- Heavy duty cast iron construction
- Smooth, easy action
- 2" NPT threaded bung adapter
- Suction pipe included

Fluid Compatibility

If in doubt about compatibility of a specific fluid, contact supplier of fluid to check for any adverse reactions to the following wetted materials:

- Cast Iron
- Galvanized Steel
- Neoprene

The SD62 is compatible with the following fluids:

- Diesel, Kerosene, Machine Oil, Fuel Oil, Agricultural Fluids, Detergents, Lube Oil, Noncorrosive Petroleum Products

DO NOT use the SD62 with the following fluids:

- Organic Solvents, Strong Alkalis, Strong Acids, Water

INSTALLATION

Use oil resistant pipe compound or teflon tape on all threaded joints.

1. Assemble suction pipe per exploded view of pump.
2. Slip barrel bung over suction pipe nipple.
3. Place assembly into tank or barrel and tighten bung adaptor mounting flange.
4. Screw pump inlet onto suction pipe nipple.
5. Set pump height by tightening bung adaptor clamp screw into suction pipe nipple.

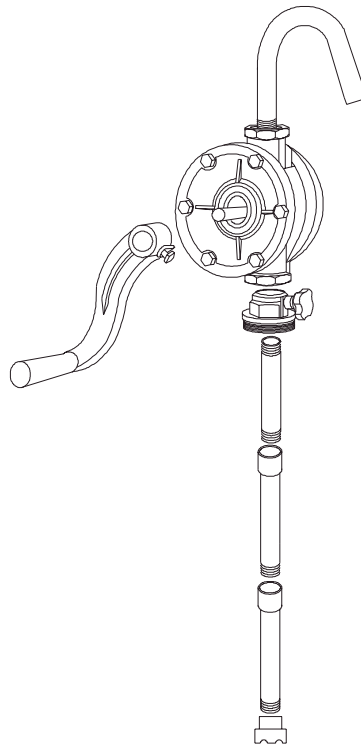
OPERATING INSTRUCTIONS

1. Rotate handle several times clockwise, (direction indicated by arrow mark).
2. If a hose is attached to the outlet spout, liquid will be continuously delivered by siphon effect as long as there is a head between the liquid levels.
3. Siphon effect stops by turning the handle approximately 30°. Leakage in the hose joints will destroy the siphon effect. Use care to ensure good connections when attaching the hose.

REPAIR

Pumps needing repair should be taken to an authorized repair shop or returned to factory for service. Pumps must be thoroughly flushed before being returned for repair.

SD62 PUMP PARTS LIST			
ITM. NO.	PART NO.	DESCRIPTION	QTY.
1	SD62G8547	Pump Body	1



TROUBLESHOOTING GUIDE

	<u>POSSIBLE CAUSE</u>	<u>SOLUTION</u>
Pump will not prime	<ol style="list-style-type: none"> 1. Suction line problem 2. Vanes sticking 3. Gasket leakage 4. Excessive rotor or vane wear 	<p>Check for leaks in suction line</p> <p>Check vanes and slots for nicks, burrs or wear</p> <p>Tighten covers and joints</p> <p>Check rotor and vanes for excessive wear or damage</p>
Low pump capacity	<ol style="list-style-type: none"> 1. Suction line problem 2. Excessive rotor or vane wear 	<p>Check for leaks in suction line</p> <p>Check rotor and vanes for excessive wear or damage</p>
Pump fluid leakage	<ol style="list-style-type: none"> 1. Dirty Seal 2. Bad seal 3. Gasket leakage 	<p>Clean O-ring seal and seat area</p> <p>Replace seal</p> <p>Tighten covers and joints</p>

PRODUCT WARRANTY

Tuthill Transfer Systems ("Manufacturer") warrants to each consumer buyer of its Fill-Rite products (the "Buyer"), from the date of invoice or sales receipt, that goods of its manufacture ("Goods") will be free from defects of material and workmanship. Duration of this warranty is as follows:

- Heavy Duty Products - Two years
- Standard Duty Products – One year
- Economy Duty Products – One year
- Cabinet pumps, Parts, and Accessories -One year

Manufacturer's sole obligation under the foregoing warranties will be limited to either, at Manufacturer's option, replacing or repairing defective Goods (subject to limitations hereinafter provided) or refunding the purchase price for such Goods theretofore paid by the Buyer, and Buyer's exclusive remedy for breach of any such warranties will be enforcement of such obligations of Manufacturer. If Manufacturer so

requests the return of the Goods, the Goods will be redelivered to Manufacturer in accordance with Manufacturer's instructions F.O.B. Factory. The remedies contained herein shall constitute the sole recourse of the Buyer against Manufacturer for breach of warranty. IN NO EVENT SHALL MANUFACTURER'S LIABILITY ON ANY CLAIM FOR DAMAGES ARISING OUT OF THE MANUFACTURE SALE, DELIVERY OR USE OF THE GOODS EXCEED THE PURCHASE PRICE OF THE GOODS. The foregoing warranties will not extend to Goods subjected to misuse, neglect, accident or improper installation or maintenance, or which have been altered or repaired by anyone other than Manufacturer or its authorized representative. THE FOREGOING WARRANTIES ARE EXCLUSIVE AND IN LIEU OF ALL OTHER WARRANTIES OF MERCHANTABILITY, FITNESS FOR PURPOSE OF ANY OTHER TYPE, WHETHER EXPRESS OR IMPLIED. No person may vary the foregoing warranties and remedies except in writing signed by a duly authorized officer of Manufacturer. Warranties or remedies that differ from the foregoing shall not otherwise be binding on Manufacturer. The Buyer's acceptance of delivery of the Goods constitutes acceptance of the foregoing warranties and remedies, and all conditions and limitations thereof.



8825 Aviation Drive
Fort Wayne, Indiana USA 46809
Tel 260 747-7524 Fax 260 747-3159