

Owners Installation, Operation, and Safety Manual



FILL-RITE.

Digital Liquid Meter

Series 900 – High Flow

Models

900D, 900D1.5, 900DBSPT, 900D1.5BSPT

Table of Contents

Owners Installation, Operation, and Safety Manual.....	1
Table of Contents.....	2
Thank You!.....	2
About This Manual	2
Safety Information	3
Installation	3
Procedure for Meter Calibration	4
Operating Instructions	5
Low Battery Warning.....	6
Storage.....	6
Troubleshooting	6
Fluid Compatibility.....	7
Assembly and Disassembly	7
Illumination	8
Repair.....	8
Safety Testing Approvals	8
Replacement Parts Information.....	9




Thank You!

Thank you for your purchase of the Fill-Rite 900 series meter! Your Fill-Rite product comes with over 80 years of fluid transfer experience behind it, providing you the value that comes with superior performance, user friendly design, long service life, and solid, simple engineering. Experience that gives you peace of mind.

Rest Easy – It’s Tuthill!

About This Manual

From initial concept and design through its final production, your Fill-Rite meter is built to give you years of trouble free use. To insure it provides that service, **it is critical that you read this entire manual prior to attempting to install or operate your new meter.** Become familiar with the terms and diagrams, and pay close attention to the highlighted areas with the following labels:

-  **WARNING!** Emphasizes an area in which personal injury or even death could result from failure to follow instructions properly. Mechanical damage may also occur.
-  **IMPORTANT!** These boxes contain information that illustrates a point that may save time or may be key to proper operation, or clarifies a step.
-  **CAUTION!** Failure to observe a “Caution” can cause damage to the equipment.

At Fill-Rite, your satisfaction with our products is paramount to us. If you have questions or need assistance with your product, please contact us at 1-800-634-2695 (M-F 8 AM–5 PM ET).

Safety Information



WARNING! To insure safe and proper operation of your equipment, it is critical to read and adhere to all of the following safety warnings and precautions. Improper installation or use of this product can cause serious bodily injury or death!

- 1) **NEVER** smoke near the meter, or use the meter near open flames when metering a flammable liquid! Fire can result!
- 2) A "Fill-Rite" Filter should be used on the meter outlet to insure no foreign material is transferred to the fuel tank.
- 3) Threaded pipe joints and connections should be sealed with the appropriate sealant or sealant tape to minimize the possibility of leaks.
- 4) Storage tanks should be securely anchored to prevent shifting or tipping when full or empty.
- 5) To minimize static electricity build up, use only static wire conductive hose when metering flammable fluids, and keep the fill nozzle in contact with the container being filled during the filling process.
- 6) **DO NOT** exceed 50 psi/ 3.5 BARS line pressure.
- 7) **DO NOT** install additional foot valve or check valve without a pressure relief valve; otherwise the meter may rupture.



WARNING! This product should not be used to transfer fluids any type of aviation fuel.

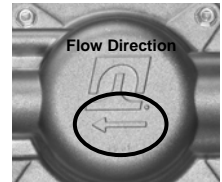


WARNING! This product is not suited for use with fluids intended for human or animal consumption or fluids containing water. Nickel plated meters are approved for use with non-potable water, antifreeze, certain agricultural chemicals, and other specialized water applications.

Installation

Meters are furnished for horizontal piping; left to right flow. The display can be rotated to any of four positions for horizontal or vertical piping and for either direction of flow.

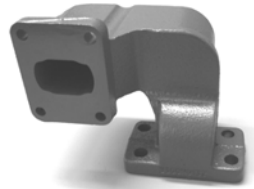
1. Determine direction for fluid to flow.
2. Install meter **observing directional arrow on casting on back of meter (circled)**. Liquid **MUST** flow in the direction of the arrow for proper operation.
3. Once the meter is plumbed into place, remove four screws (circled) on corners of meter face (Torx T25 bit required).
4. Rotate meter face assembly to desired orientation.
5. Replace four screws.
6. Complete installation by making sure the joints are properly sealed and meter is positioned for easy viewing and use.



CAUTION! Threaded pipe joints and connections should be sealed with the appropriate sealant or sealant tape to minimize the possibility of leaks.



IMPORTANT! If you have purchased this meter as part of a "Kit", the meter flange base is drilled with 4 holes. This allows the meter to be used with 300 and 700 series pumps. Line the meter bracket up for installation and insert the bolts in the two holes that align with the corresponding holes on the pump outlet. Once the meter bracket is bolted securely in place install the two plugs in the holes that were not used to prevent moisture from entering them.



Meter Calibration

Meter calibration is required upon installation, after disassembly, after significant wear, or when dispensing a different viscosity fluid. Calibration must be done between 6 and 40 GPM (23 and 151 LPM). Meter calibration can be easily changed by following the calibration procedure. A container of **KNOWN** volume will be needed for the calibration procedure. For the 900 series digital meter, a five gallon container or larger, or a 20 liter container or larger should be used.

Procedure for Meter Calibration

Unit of measure and calibration is configured using a 3-step process.

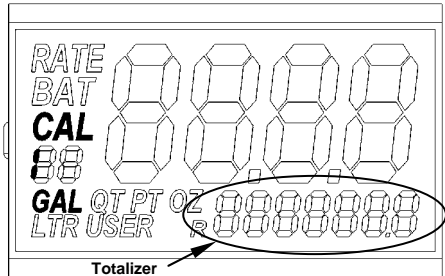
- 1) Select the desired unit of measure
- 2) Fill a container with a known volume using the desired fluid.
- 3) Enter the amount of fluid dispensed.

Prior to calibration, the unit must be placed in calibration mode. Simultaneously press and hold the CAL and TOTAL buttons for 5 seconds to enter Calibration Mode.



IMPORTANT! When calibrating, the totalizers will not increase in value.

- 1) The unit will default to the last unit of measure used.
- 2) Press and release the TOTAL button to toggle through the available units of measure.
- 3) Press and hold the CAL button for 2 seconds to move to the next step.
- 4) If the meter is left untouched for 2 minutes or the RESET button is pressed, the unit will automatically exit Calibration Mode and ignore any changes in volume.



IMPORTANT! Dispensing into a container with a known volume allows the unit to automatically calculate the internal scaling value to compensate for fluid viscosities and the system flow rate.

- 1) CAL 2 will be displayed.
- 2) Begin dispensing fluid into the container.
- 3) **FILL** will begin to blink after fluid flow is detected.
- 4) Dispense the desired amount fluid; stop flow as soon as desired level is reached.
- 5) Press and hold the CAL button for 2 seconds to move to the next step.

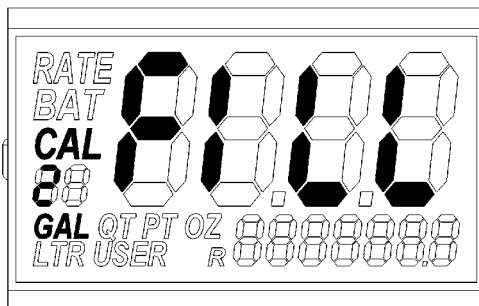


IMPORTANT! If left untouched for 2 minutes, or the RESET button is pressed, the meter will exit Calibration Mode and any dispensed fluid will be ignored.

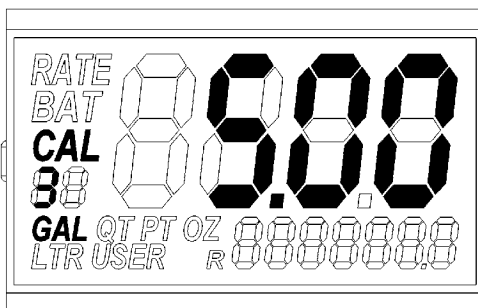
- 1) Pressing and holding the CAL button for 2 seconds before dispensing into a container will cause the meter to skip a fill operation and only change the unit of measure.



IMPORTANT! For maximum accuracy, try to get as close as possible to the dispensed volume **without changing flow rate.**



- 1) The left-most digit will begin blinking.
- 2) Use the TOTAL button to scroll from 0 to 9 until the desired number has been selected.
- 3) Press and release the CAL button to move to the next digit.
- 4) Repeat Steps 3-4 until the amount of dispensed fluid has been entered.



- 5) If you make a mistake entering a digit, press and release the TOTAL button repeatedly until the digit is active again.
- 6) Press and hold the CAL button for 2 seconds to complete the calibration process regardless of the current digit selected.
- 7) If at the last digit and the CAL button is pressed for less than 2 seconds, the process should roll back to the left-most digit, but retain the current value. This allows the user to edit an incorrect value.
- 8) An error check for gross calibration errors (+/- 15%) will be performed unless USER units are selected. If an error is detected, the meter will display Err0 until a button is pressed and the calibration process is aborted.
- 9) If the meter is left untouched for 2 minutes or the RESET button is pressed, the unit will automatically exit Calibration Mode and ignore any changes.

Operating Instructions

For accurate measurement and to prevent meter damage, dispenser and piping must always be filled with liquid and be free of air. The meter portion of your dispenser should be calibrated per instructions in this manual prior to its use.

The Fill-Rite 900 Series Digital Meter face incorporates three buttons that control all the operation and calibration functions.

To turn the display on, or wake the meter from "Sleep" mode, simply press any button on the face. The display will turn on and you can proceed with the function you desire. Dispensing fluid will also turn the meter display on.





IMPORTANT! When the meter is in the “Deep Sleep” mode, dispensing fluid will **NOT** turn the meter on. The meter will not display or accumulate any fluid that is dispensed while in “Deep Sleep” mode.

- The last count and selected totalizer is retained and displayed when the meter is turned on.
- Pressing and releasing the TOTAL button will switch between the resettable and non-resettable totalizers. (The R icon will be displayed when the resettable total is displayed).
- Pressing and holding the RESET button for 2 seconds will reset the counter.
- Pressing and holding the RESET button and TOTAL buttons for 2 seconds will reset the totalizer. **The resettable totalizer must be active in order to reset it.**
- Pressing and holding the RESET button and CAL buttons for 2 seconds will display the software version for 2 seconds and then perform a segment check for 3 seconds, and then restore the display.
- Pressing and holding the CAL button for 5 seconds will place the meter into a deep sleep mode.



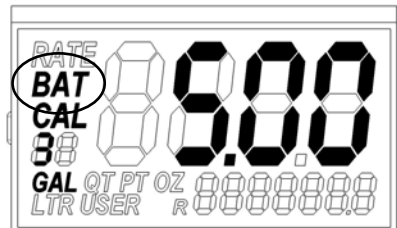
IMPORTANT! “Deep Sleep” mode is designed to maintain a status of operational readiness while offering battery conservation. The meter should be placed in this mode when:

- Flushing the unit so the dispensed volume is not counted.
- Traveling over rough surfaces (off-road) where fluid is being jostled and you don’t want volume from the motion to be counted.
- Extending battery life; there is no penalty for repeatedly placing it in deep sleep.

- After 30 seconds of inactivity, the display will blank to conserve battery power.
- If the meter is connected to the external power source, the display will not blank unless forced into deep sleep mode.
- If external power is removed, the meter will revert to battery only operating characteristics and vice-versa.
- The counter and totalizer 2 can be reset even if fluid flow is detected. The meter will continue counting during the 2 second RESET button press, then reset to 0, then resume counting.

Low Battery Warning

The digital display includes a “Low Battery” warning indicator. When the battery reaches a level low enough to require replacement, the display will show “BAT” as a reminder to change the battery. When necessary, replace batteries per procedure on page 8.



Storage

If your meter is to be stored for a period of time, clean it thoroughly. This will help protect the meter from possible damage.

Troubleshooting

The following troubleshooting guide is designed to help you with basic diagnostics and repairs if you should encounter abnormal service from your 900 series meter. We recommend you use only genuine Fill-Rite parts. These parts, and additional service information is available through your authorized Fill-Rite dealer.

Further troubleshooting information can be found in your pump manual. If you need additional assistance, please contact us at 1-800-634-2695 (M-F 8 AM-5 PM ET).

Concern	Possible Cause	Recommended Repair
Counter inaccurate.	Meter mis-calibrated.	Check calibration and recalibrate as necessary (directions on page 4).
	Air in lines or metering chamber.	Check line seals and joints for leakage; seal leaks appropriately.
	Measuring gears or disc are sticking.	Clean or replace internal metering components as necessary.
Low flow capacity.	Clogged meter chamber.	Clean meter chamber; clean or replace screens and filters in piping.
Meter body cracks.	Excess line pressure.	Install pressure relief valve to allow high pressure to bleed back to the tank. Replace meter.
Nutating Disc Broken.	Sudden high pressure fluid hitting disc.	Avoid surge flows by installing a shut-off valve on outlet of meter; install meter as close to the pump as possible, keep piping full of liquid. Replace broken disc.

Fluid Compatibility

The 900D series meter **IS** compatible with the following fluids:

Diesel Fuel Bio-Diesel (up to B20) Mineral Spirits Heptane Hexane

The 900D series meter **IS NOT** compatible with the following fluids:

Bleach Hydrochloric Acid Ink Sulfuric Acid Salt Water Gasoline



CAUTION! If in doubt about compatibility of a specific fluid, contact supplier of fluid to check for any adverse reactions to the following wetted materials:

Aluminum Stainless Steel Fluorocarbon Buna N Polyester Nickel Acetal

Assembly and Disassembly

The 900 Series Meter consist of a chamber housing, measuring chamber, drive shaft, digital counter assembly, and cover. The design of the meter is such that it can be completely disassembled without disturbing the piping (refer to diagram on page 9 for item number parts).

Accessing the Battery

For access to the batteries (2 AA batteries) (figure 1):

- 1) Remove the four screws at the top and bottom of the front bezel (Torx #T25).
- 2) Lift bezel off. Batteries are located on the back side of the display; use a Phillips head screwdriver to remove the cover screws to access the batteries.
- 3) Reassemble by reversing this procedure.

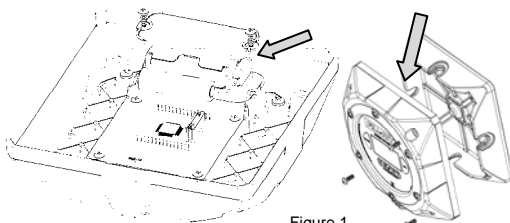


Figure 1

Meter Chamber Assembly

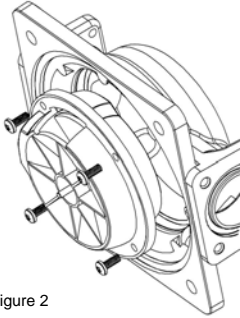


Figure 2

The Meter Chamber consists of upper and lower chambers, a rotating disc, and four screws (figure 2).

- 1) To expose the meter chamber assembly, and seal remove 4 screws.
- 2) The meter chamber can be dislodged by removing 4 screws.

Reassemble by reversing this procedure.



IMPORTANT! If replacing any components of the meter chamber, **the complete assembly must be replaced due to its precision method of construction.** This will assure a proper fit, and correct operation of the chamber.

Repair

Meters needing repairs should be taken to an authorized repair facility. Meters **MUST** be triple rinsed before taking them in for repairs.



IMPORTANT! When returning a meter for service, it must be triple rinsed and accompanied by a note stating what chemicals have been pumped through it. Meters not adhering to these specifications may be refused for service.

Safety Testing Approvals

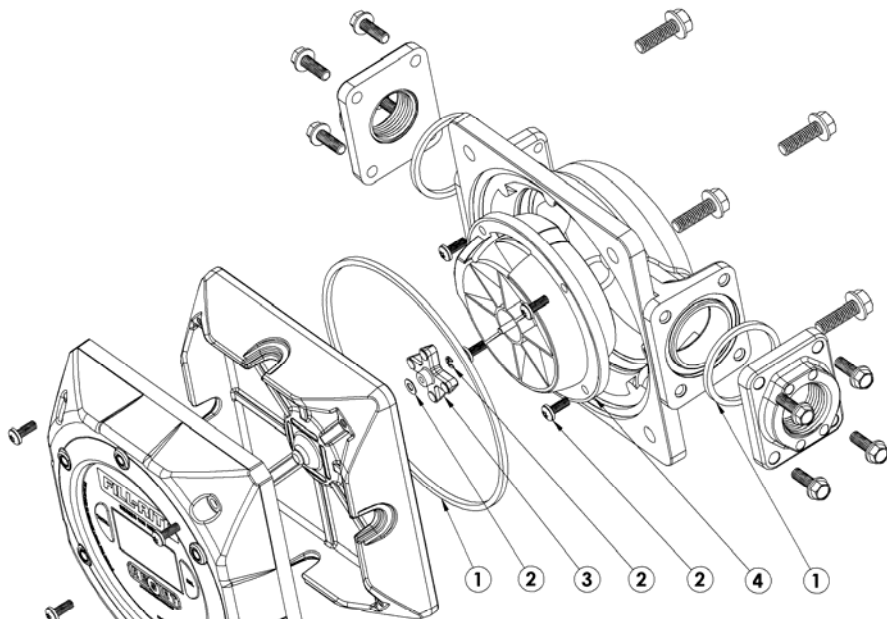
The **Fill-Rite** 900D series meters have been tested for compliance to the standards set forth by Underwriters Laboratories (UL), UL Canada, ATEX, and other testing organizations. **To determine which specific compliances apply to your particular meter, refer to the faceplate for information and compliance logos.**



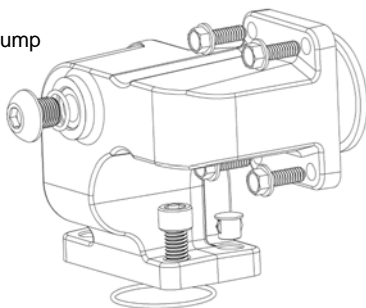
Replacement Parts Information

Replacement parts can be obtained through any authorized Fill-Rite dealer. Be sure to use only genuine Fill-Rite replacement parts for your service and maintenance needs. For a list of authorized dealers, please visit our web site at "www.fillrite.com".

Models 900D, 900D1.5, 900DBSPT, 900D1.5BSPT



KIT900PF
Meter to Pump
Flange Kit



900 Series Digital Meter Replacement Parts Kit

Kit Number	#	Description	Qty
KIT 900DKY	1	Required Seal	3
	2	Required Fasteners	4
	3	Magnetic Driver	1
	4	Chamber Assembly	1

Electrical Installation Information

Internal Power (Battery Power)

All 900D Series Digital Meters are battery powered. The meter is equipped with a battery tray located behind the faceplate on the circuit board itself. Power on these units is supplied by two alkaline “AA” batteries. With normal use, these batteries should provide 2 – 4 years of use. The digital display contains an integral warning of low battery level (see page 6 for details). Lithium batteries can also be used to provide extended service life (typically 4 – 6 years in normal service). If there are questions regarding appropriate replacement batteries for your meter, please contact your Fill-Rite Customer Service Technical Support Representative at 1-800-634-2695 (M-F 8 AM–5 PM ET). Incorrect battery selection may void UL certification.



WARNING! The 900D Digital Meter should **NOT** be installed in an explosive atmosphere!

Tuthill Product Warranty

Tuthill Transfer Systems (“Manufacturer”) warrants each consumer buyer of its Fill-Rite products (“Buyer”) from the date of invoice or sales receipt, that goods of its manufacture (“Goods”) shall be free from defects of materials and workmanship. Duration of the warranty is as follows:

- Heavy Duty Products – Two Years
- Standard Duty Products – One Year
- Economy Duty Products – One Year
- Cabinet Meters, Parts, and Accessories – One Year

Manufacturers sole obligation under the foregoing warranties will be limited to either – at Manufacturers option – repairing or replacing defective goods (subject to limitations hereinafter provided) or refunding the purchase price for such Goods theretofore paid by the buyer, and Buyers exclusive remedy for breach of any such warranties will be enforcement of such obligations of the Manufacturer. If the Manufacturer so requests the return of such Goods, the Goods will be redelivered to the manufacturer in accordance with Manufacturers instructions FOB Factory. The remedies contained herein shall constitute the sole recourse of the Buyer against the Manufacturer for breach of warranty. **IN NO EVENT SHALL THE MANUFACTURER’S LIABILITY FOR ANY CLAIM FOR DAMAGES ARISING OUT OF THE MANUFACTURE, SALE, DELIVERY, OR USE OF THE GOODS EXCEED THE PURCHASE PRICE.** The foregoing warranties will not extend to goods subject to misuse, neglect, accident, improper installation or maintenance, or have been repaired by anyone other than the Manufacturer or its authorized representative. **THE FOREGOING WARRANTIES ARE EXCLUSIVE AND IN LIEU OF ALL OTHER WARRANTIES OF MERCHANTABILITY, FITNESS FOR PURPOSE OF ANY OTHER TYPE, WHETHER EXPRESSED OR IMPLIED.** No person may vary the foregoing warranties or remedies, except in writing signed by a duly authorized officer of the Manufacturer. The Buyer’s acceptance of delivery of the Goods constitutes acceptance of the foregoing warranties and remedies, and all conditions and limitations thereof.

Tuthill Corporation recommends you retain your sales receipt as proof of purchase.

Technical Specifications and Information

Dimensions: 6.75" (H) x 8.46" (W) x 4.10" (D)

Accuracy: $\pm 1.25\%$

Repeatability: $\pm 0.25\%$ at calibrated flow rate.

Flow Rate: 6 to 40 GPM

Pressure Rating: 50 psi

Construction: Aluminum

Units of Measure: ounces, pints, quarts, liters, gallons, 1 "Special Unit of Measure" option.

Counter: 4 digit resettable counter; (.01 – 9999 units).

Totalizers: 7 digit non-resettable "Master" totalizer, 7- digit resettable secondary.

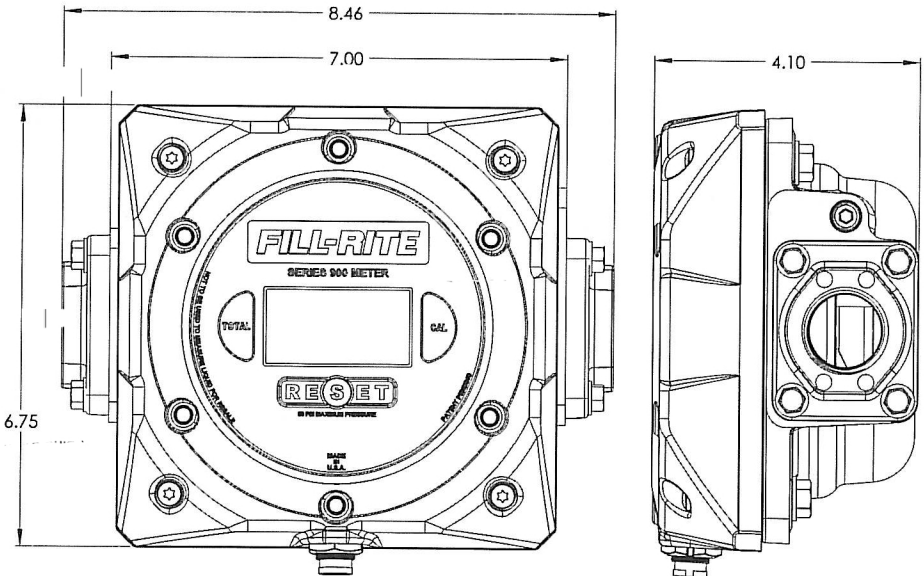
Mounting Options: Can be installed for vertical or horizontal mounting by rotating display accordingly.

Approvals: UL / cUL / ATEX Listing (see page 8 for information on specific certifications).

Power Supply: 2 "AA" batteries* (Alkaline or approved equivalent; Lithium optional for extended battery life*); optional external power supply on certain models.

Expected Battery Life: 2 – 4 years of normal use with standard Alkaline batteries.

Operating Temperature Range: -10° to 180° F.



NOTES

**Manual de instalación, operación y
seguridad del propietario**



Medidor digital de líquido

Serie 900 – Flujo alto

Modelos

900D, 900D1.5, 900DBSPT, 900D1.5BSPT

Tabla de contenido

Manual de instalación, operación y seguridad del propietario	1
Tabla de contenido	2
¡Gracias!	2
Acerca de este manual	2
Información de seguridad	3
Instalación	3
Procedimiento para la calibración del medidor	4
Instrucciones de operación	5
Advertencia de pilas descargadas	6
Almacenamiento	6
Solución de problemas	6
Compatibilidad de líquidos	7
Montaje y desmontaje	7
Reparación	8
Aprobaciones de pruebas de seguridad	8
Información sobre repuestos	9

¡Gracias!

¡Gracias por adquirir el medidor Fill-Rite serie 900! Su producto Fill-Rite cuenta con más de 80 años de experiencia en transferencia de líquidos, lo que le brindará valor, junto con un rendimiento superior, un diseño fácil de usar, una larga vida útil y un diseño de ingeniería simple y resistente. La experiencia que le proporciona tranquilidad.

¡Relájese, es Tuthill!

Acerca de este manual

Desde el concepto y el diseño inicial hasta el producto final, el medidor Fill-Rite se fabrica para darle años de servicio sin ningún problema. Para garantizar que proporcione dicho servicio, **es fundamental que lea por completo este manual antes de intentar instalar y operar su nuevo medidor.** Familiarícese con los términos y diagramas, y ponga mucha atención a las áreas destacadas con las siguientes etiquetas:



¡ADVERTENCIA! Destaca un área en que se pueden producir lesiones corporales e incluso la muerte si no se siguen las instrucciones de manera adecuada. También se pueden producir daños mecánicos.



¡IMPORTANTE! Estos cuadros contienen información que ilustra un punto que podría ahorrar tiempo o ser clave para la operación adecuada, o que clarifica un paso.



¡PRECAUCIÓN! No poner atención al aviso de "Precaución" podría provocar daños al equipo.

En Fill-Rite, su satisfacción con nuestros productos es primordial para nosotros. Si tiene cualquier duda o necesita asistencia con nuestros productos, comuníquese con nosotros al 1-800-634-2695 (lunes a viernes de 8 AM a 5 PM, hora del este).

Información de seguridad



¡ADVERTENCIA! Para garantizar la operación segura y adecuada del equipo, es fundamental que lea y respete todas las precauciones y advertencias de seguridad que se indican a continuación. ¡La instalación o el uso incorrectos de este producto pueden provocar lesiones físicas graves o la muerte!

- 1) **¡NUNCA** fume cerca del medidor ni lo utilice cerca de una llama mientras mida un líquido inflamable! ¡Se puede producir un incendio!
- 2) En el orificio de salida del medidor se debe usar un filtro "Fill-Rite" para garantizar que ningún material extraño se transfiera al tanque de combustible.
- 3) Las juntas de tuberías roscadas y las conexiones se deben sellar con un sellador adecuado o cinta selladora para minimizar las posibilidades de filtraciones.
- 4) Los tanques de almacenamiento deben estar correctamente anclados para evitar su desplazamiento o volcamiento cuando estén llenos o vacíos.
- 5) Para minimizar la acumulación de electricidad estática, utilice sólo un tubo flexible conductor de cableado estático cuando mida líquidos inflamables y mantenga la boquilla llena en contacto con el recipiente que se esté llenando durante el proceso de llenado.
- 6) **NO** exceda los 3,5 bar (50 psi) de presión en la tubería.
- 7) **NO** instale una válvula de contención o una válvula de retención adicional sin una válvula de alivio de presión, de lo contrario el medidor podría romperse.



¡ADVERTENCIA! Este producto no se debe usar para transferir ningún tipo de líquido usado en la aviación.



¡ADVERTENCIA! Este producto no es apto para su uso con líquidos destinados al consumo humano o líquidos que contengan agua. Los medidores niquelados están aprobados para su uso con agua no potable, anticongelante, ciertos productos químicos para la agricultura y otras aplicaciones de agua especializadas.

Instalación

Los medidores están diseñados para una disposición horizontal de las tuberías, con flujo de izquierda a derecha. The display can be rotated to any of four positions for horizontal or vertical piping and for either direction of flow.



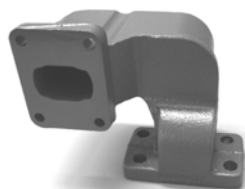
- 1) Determine la dirección de flujo del líquido.
- 2) Instale el medidor **teniendo presente la flecha direccional en la pieza fundida en la parte trasera del medidor (indicada en el círculo)**. El líquido **DEBE** fluir en la dirección de la flecha para que funcione correctamente.
- 3) Una vez que el medidor esté nivelado en su posición, retire los cuatro tornillos (indicados en círculos) en las esquinas de la superficie del medidor (se requiere una llave Torx T25).
- 4) Gire el conjunto de la superficie del medidor en la orientación que desee.
- 5) Vuelva a colocar los cuatro tornillos.
- 6) Complete la instalación asegurándose de que las juntas estén correctamente selladas y el medidor esté posicionado para que se pueda ver y usar fácilmente.



¡PRECAUCIÓN! Las juntas de tuberías roscadas y las conexiones se deben sellar con un sellador adecuado o cinta selladora para minimizar las posibilidades de filtraciones.



¡IMPORTANTE! Si compró este medidor como parte de un "juego", la base del reborde del medidor tiene 4 orificios taladrados. Esto permite que el medidor se use con las bombas de las series 300 y 700. Alinee el soporte del medidor para la instalación e inserte los pernos en los dos orificios que se alinean con los orificios correspondientes en la salida de la bomba. Una vez que el soporte del medidor esté apertado fijamente en su lugar, instale los dos tapones en los orificios que no se usaron para evitar que la humedad entre a ellos.



Calibración del medidor

El medidor se debe calibrar después de la instalación, después del desmontaje, después del desgaste significativo o al verter un líquido con una viscosidad distinta. La calibración se debe realizar entre 23 y 151 LPM (6 y 40 GPM). La calibración del medidor se puede cambiar fácilmente al seguir el procedimiento de calibración. Se necesitará un recipiente con un volumen **CONOCIDO** para el proceso de calibración. Para el medidor digital de la serie 900 se debe usar un recipiente de 20 litros o más (5 galones o más).

Procedimiento para la calibración del medidor

La unidad de medida y la calibración se configuran con un proceso de 3 pasos.

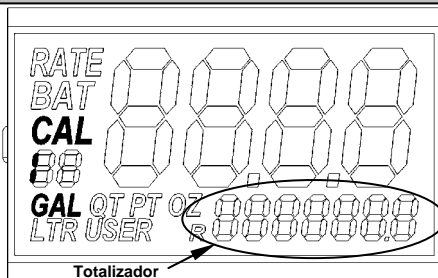
- 1) Seleccione la unidad de medida que desee.
- 2) Llene un recipiente con volumen conocido con el líquido que desee.
- 3) Ingrese la cantidad de líquido vertida.

Antes de la calibración, la unidad se debe colocar en modo de calibración. Mantenga presionado al mismo tiempo los botones CAL y TOTAL por 5 segundos para ingresar al modo de calibración.



¡IMPORTANTE! Al calibrar, los totalizadores no aumentarán en valor.

- 1) La unidad estará de manera predeterminada en la última unidad de medida utilizada.
- 2) Presione y suelte el botón TOTAL para alternar entre las unidades de medida disponibles.
- 3) Mantenga presionado el botón CAL por 2 segundos para ir al siguiente paso.
- 4) Si no se toca el medidor por 2 minutos o se presiona el botón RESET (Restablecer), la unidad saldrá automáticamente del modo de calibración e ignorará cualquier cambio en el volumen.



¡IMPORTANTE! Verter en un recipiente con volumen conocido permite que la unidad calcule automáticamente el valor de la escala interna para compensar las viscosidades de los líquidos y la velocidad de flujo del sistema.

- 1) Aparecerá CAL 2.
- 2) Comience a verter el líquido al recipiente.
- 3) **FILL** (Llenar) comenzará a parpadear después de que se detecte el líquido.
- 4) Vierta la cantidad de líquido que desee y detenga el flujo tan pronto como alcance el nivel deseado.
- 5) Mantenga presionado el botón CAL por 2 segundos para ir al siguiente paso.

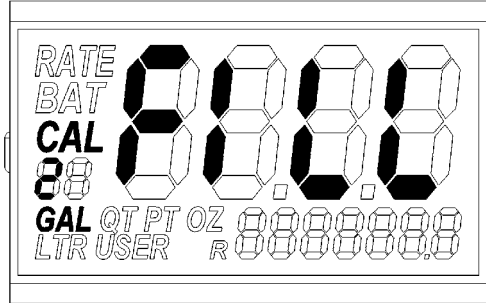


¡IMPORTANTE! Si no se toca el medidor por 2 minutos o se presiona el botón RESET, éste saldrá del modo de calibración e ignorará cualquier líquido vertido.

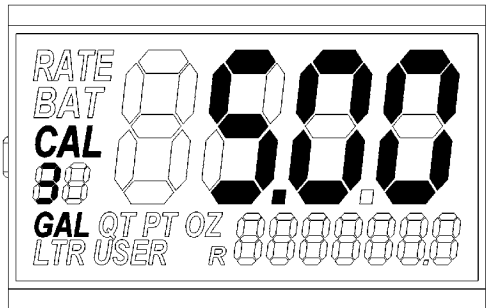
- 1) Si se mantiene presionado el botón CAL por 2 segundos antes de verter al recipiente, el medidor omitirá una operación de llenado y sólo cambiará la unidad de medida.



¡IMPORTANTE! Para lograr una máxima precisión, intente llegar lo más cerca posible del volumen vertido, **sin cambiar la velocidad de flujo**.



- 1) El dígito más a la izquierda comenzará a parpadear.
- 2) Use el botón TOTAL para desplazarse de 0 a 9 hasta seleccionar el número deseado.
- 3) Presione y suelte el botón CAL para moverse al siguiente dígito.
- 4) Repita los pasos 3 y 4 hasta que se haya ingresado la cantidad de líquido vertido.



- 5) Si se equivoca al ingresar un dígito, presione y suelte el botón TOTAL repetidamente hasta que se active nuevamente el dígito.
- 6) Mantenga presionado el botón CAL por 2 segundos para completar el proceso de calibración independiente del dígito actual seleccionado.
- 7) Si está en el último dígito y presiona el botón CAL por menos de 2 segundos, el proceso volverá al dígito más a la izquierda, pero mantendrá el valor actual. Esto le permite al usuario editar un valor incorrecto.
- 8) Se realizará una revisión de errores para detectar errores graves de calibración (+/- 15%) a menos que se seleccionen unidades de USUARIO. Si se detecta un error, el medidor mostrará Err0 hasta que se presione un botón y se cancele el proceso de calibración.
- 9) Si no se toca el medidor por 2 minutos o se presiona el botón RESET (Restablecer), la unidad saldrá automáticamente del modo de calibración e ignorará cualquier cambio.

Instrucciones de operación

Para obtener mediciones precisas y evitar que el medidor se dañe, el dispensador y el sistema de tuberías siempre deben estar llenos con líquido y no deben tener aire. La parte del medidor de su dispensador se debe calibrar según las instrucciones en este manual antes del uso.

La superficie del medidor digital de Fill-Rite de la serie 900 incorpora tres botones que controlan todas las operaciones y las funciones de calibración.

Para encender la pantalla o reactivar el medidor desde el modo de "suspensión", simplemente presione cualquier botón en la superficie. La pantalla se encenderá y puede continuar con la función que desee. Al verter líquido también se encenderá la pantalla.





¡IMPORTANTE! Cuando el medidor está en el modo de "espera reforzada", verter líquidos **NO** encenderá el medidor. El medidor no mostrará ni acumulará ningún líquido que se vierta mientras el medidor esté en el modo de "espera reforzada".

- El último conteo y el totalizador seleccionado se mantienen y se muestran cuando se enciende la pantalla.
- Al presionar y soltar el botón TOTAL se alternará entre los totalizadores con y sin restablecimiento. (Aparecerá el icono R cuando se muestre el totalizador con restablecimiento).
- Al mantener presionado el botón RESET por 2 segundos se restaurará el contador.
- Al mantener presionado los botones RESET y TOTAL por 2 segundos se restaurará el totalizador. **El totalizador con restablecimiento debe estar activo para poder restablecerlo.**
- Al mantener presionado los botones RESET y CAL por 2 segundos aparecerá la versión del software por 2 segundos y luego se realizará una revisión de segmento por 3 segundos, para luego restablecer la pantalla.
- Al mantener presionado el botón CAL por 5 segundos el medidor entrará en el modo de "espera reforzada".



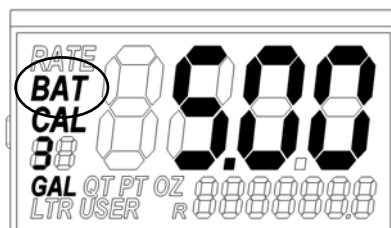
¡IMPORTANTE! El modo de "espera reforzada" está diseñado para mantener un estado de preparación operacional al mismo tiempo que se conserva la pila. El medidor se debe colocar en este modo cuando:

- Se purgue la unidad de manera que el volumen vertido no se cuente.
- Se desplace por superficies ásperas (fuera del camino) donde los líquidos se estén empujando y no desee que se cuente el volumen provocado por el movimiento.
- Se prolongue la vida útil de la pila, no hay multa por poner repetidamente en modo de espera reforzada.

- Después de 30 segundos de inactividad, la pantalla quedará en blanco para conservar la energía de la pila.
- Si el medidor está conectado a una fuente de alimentación externa, el medidor no quedará en blanco a menos que sea forzada a entrar en el modo de "espera reforzada".
- Si se retira la fuente de alimentación externa, el medidor volverá a las características de funcionamiento sólo con pila y viceversa.
- El contador y el totalizador 2 se pueden restaurar incluso si se detecta flujo de líquido. El medidor seguirá contando durante los 2 segundos que se mantiene presionado el botón RESET, luego se restablecerá en 0 y después seguirá contando.

Advertencia de pilas descargadas

La pantalla digital incluye un indicador de advertencia de "Pila baja". Cuando la pila llegue a un nivel lo suficientemente bajo como para necesitar un replazo, la pantalla mostrará "BAT" como un recordatorio para cambiar la pila. Cuando sea necesario, replazce las pilas según el procedimiento de la página 7.



Almacenamiento

Si se va a almacenar el medidor por un periodo prolongado, límpielo completamente. Esto ayudará a proteger el medidor de posibles daños.

Solución de problemas

La siguiente guía de solución de problemas está diseñada para ayudarle con los diagnósticos y reparaciones básicos en caso de que se encontrara con un funcionamiento anormal de su medidor de la serie 900. Recomendamos que use sólo piezas Fill-Rite originales. Estas piezas, además de información de mantenimiento adicional están disponibles mediante su distribuidor Fill-Rite autorizado.

En el manual de la bomba puede encontrar más información sobre la solución de problemas. Si necesita más asistencia, comuníquese con nosotros al 1-800-634-2695 (lunes a viernes de 8 AM a 5 PM, hora del este).

Precaución	Posible causa	Reparación recomendada
Cuento no preciso.	Mala calibración del medidor.	Revise la calibración y vuelva a calibrar según sea necesario (instrucciones en la página 4).
	Aire en la tubería o en la cámara del medidor.	Revise los sellos de las tuberías y las juntas en busca de filtraciones. Selle las juntas correctamente.
	El mecanismo de medición o los discos están bloqueados.	Limpié o reemplace los componentes de medición internos según sea necesario.
Baja capacidad de flujo.	Cámara del medidor obstruida.	Limpié la cámara del medidor, limpié o reemplace las rejillas o los filtros en las tuberías.
Grietas en el cuerpo del medidor.	Presión excesiva en la tubería.	Instale una válvula de alivio de presión para permitir que la presión alta se purgue de vuelta al tanque. Reemplace el medidor.
Disco de nutación roto.	Alta presión repentina del líquido golpea el disco.	Evite las subidas de flujo al instalar una válvula de cierre en la salida del medidor. Instale el medidor lo más cerca posible de la bomba y mantenga la tubería llena de líquido. Reemplace el disco roto.

Compatibilidad de líquidos

El medidor de la serie 900D **ES** compatible con los siguientes líquidos:

Combustible diesel Biodiesel (hasta B20) Alcoholes minerales Heptano Hexano

El medidor de la serie 900D **NO ES** compatible con los siguientes líquidos:

Cloro Ácido clorhídrico Tinta Ácido sulfúrico Agua salada Gasolina



¡PRECAUCIÓN! Si tiene dudas sobre la compatibilidad de líquidos específicos, comuníquese con el proveedor del líquido para verificar cualquier reacción adversa con los siguientes materiales húmedos:

Aluminio Acero inoxidable Fluorocarburo Buna N Poliéster Níquel Acetal

Montaje y desmontaje

El medidor de la serie 900 consiste en un alojamiento de la cámara, una cámara de medición, un eje de transmisión, un conjunto de contador y una cubierta. El medidor está diseñado de manera que se puede desmontar completamente sin perturbar el sistema de tuberías (consulte el diagrama en la página 9 para ver los números de piezas de los artículos).

Acceso a las pilas

Para tener acceso a las pilas (2 pilas AA) (figura 1):

- 1) Retire los cuatro tornillos en la parte superior e inferior de la tapa frontal (llave Torx nº T25).
- 2) Retire la tapa. Las pilas están ubicadas en la parte posterior de la pantalla. Use un destornillador Phillips para retirar los tornillos de la cubierta y tener acceso a las pilas.
- 3) Vuelva a montar revirtiendo el procedimiento.

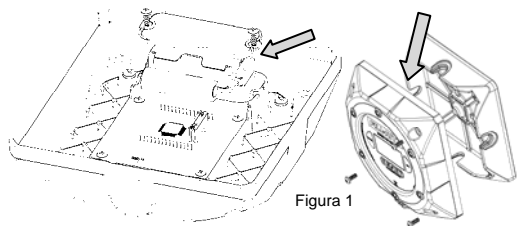


Figura 1

Conjunto de la cámara del medidor

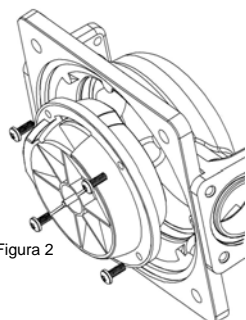


Figura 2

La cámara del medidor consiste en las cámaras superior e inferior, un disco de nutación y cuatro tornillos (figura 2).

- 1) Retire los 4 tornillos para exponer el conjunto de la cámara del medidor y el sello.
- 2) La cámara del medidor se puede sacar al retirar los 4 tornillos.

Vuelva a montar revirtiendo el procedimiento.



¡IMPORTANTE! Si se reemplaza cualquier componente de la cámara del medidor, **se debe reemplazar el conjunto completo debido a su método de fabricación de precisión.** Esto asegurará un ajuste adecuado y una correcta operación de la cámara.

Reparación

Los medidores que necesiten reparaciones se deben llevar a una instalación de reparación autorizada. Los medidores se **DEBEN** enjuagar tres veces antes de llevarlos a reparaciones.



¡IMPORTANTE! Al enviar un medidor a mantenimiento, se debe enjuagar tres veces y se debe acompañar con una nota que indique qué productos químicos se han bombeado por él. Los medidores que se no apeguen a estas especificaciones podrían ser rechazados.

Aprobaciones de pruebas de seguridad

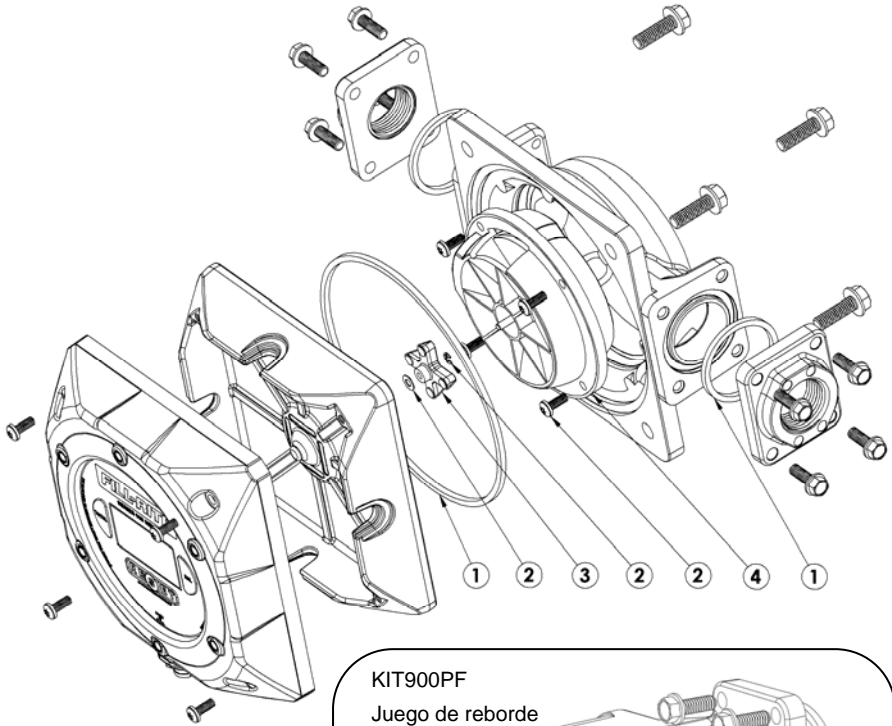
Los medidores de **Fili-Rite** de la serie 900D han pasado pruebas de seguridad para cumplir los estándares establecidos por Underwriters Laboratories (UL), UL Canada, ATEX y otras organizaciones reguladoras. **Para determinar qué estándares específicos se aplican a su medidor en particular, consulte la placa frontal para ver la información y los logos de cumplimiento.**



Información sobre repuestos

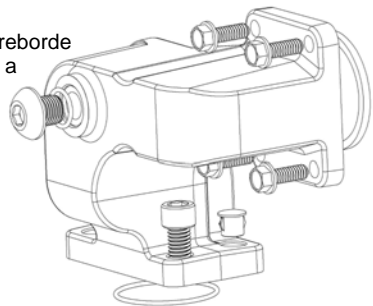
Los repuestos se pueden obtener por medio de un distribuidor Fill-Rite autorizado. Asegúrese de utilizar sólo piezas de repuesto originales de Fill-Rite para sus necesidades de servicio y mantenimiento. Si desea ver una lista de los distribuidores autorizados, visite nuestro sitio Web "www.fillrite.com".

Modelos 900D, 900D1.5, 900DBSPT, 900D1.5BSPT



KIT900PF

Juego de reborde de bomba a medidor



Juego de repuestos para el medidor digital de la serie 900

Número del juego	Nº	Descripción	Cant.
Juego 900DKY	1	Sello necesario	3
	2	Sujetadores necesarios	4
	3	Impulsor magnético	1
	4	Conjunto de la cámara	1

Información sobre la instalación eléctrica

Energía interna (energía de las pilas)

Los medidores de la serie 900D son alimentados por pilas. El medidor está equipado con una bandeja para pilas ubicada detrás de la placa frontal en la misma placa de circuito. Dos pilas alcalinas tamaño "AA" proporcionan energía a estas unidades. Con uso normal, estas pilas deberían proporcionar entre 2 a 4 años de uso. La pantalla digital contiene una advertencia integral de bajo nivel de la pila (consulte la página 6 para conocer más detalles). Para obtener una vida útil extendida, también se pueden utilizar pilas de litio (normalmente 4 a 6 años en uso normal). Si tiene alguna pregunta en relación con las pilas de reemplazo adecuadas para su medidor, comuníquese con su representante de asistencia técnica del Departamento de Servicio al Cliente de Fill-Rite al 1-800-634-2695 (lunes a viernes de 8 AM a 5 PM, hora del este). La elección incorrecta de pilas de reemplazo podría anular la certificación UL.



¡ADVERTENCIA! ¡El medidor digital 900D **NO** se debe instalar en una atmósfera explosiva!

Garantía de productos Tuthill

Tuthill Transfer Systems (en adelante el "Fabricante") garantiza a cada comprador consumidor de sus productos Fill-Rite (en adelante el "Comprador"), a partir de la fecha de la factura o comprobante de venta, que los bienes fabricados por la empresa (en adelante los "Bienes") no presentarán defectos de materiales ni de fabricación. La duración de la garantía es la siguiente:

- Productos para servicio pesado: dos años
- Productos para servicio estándar: un año
- Productos para servicio económico: un año
- Medidores de gabinete, piezas y accesorios: un año

La obligación exclusiva del Fabricante, de acuerdo con las garantías anteriores, se limitará, según la opción del Fabricante, a la reparación o reemplazo de los Bienes defectuosos, (sujeto a las limitaciones que se indican más adelante) o al reembolso del valor de la compra de tales Bienes pagados hasta entonces por el Comprador. El único recurso de los Compradores por el incumplimiento de cualquiera de estas garantías será el cumplimiento de tales obligaciones del Fabricante. Si el Fabricante solicita la devolución de tales Bienes, éstos se le reenviarán de acuerdo con las instrucciones de franco a bordo de la fábrica del Fabricante. Los recursos que se indican en este documento constituirán el recurso exclusivo del Comprador contra el Fabricante por el incumplimiento de la garantía. **EN NINGÚN CASO LA RESPONSABILIDAD DEL FABRICANTE POR CUALQUIER RECLAMO POR DAÑOS QUE SURJAN DE LA FABRICACIÓN, VENTA, ENTREGA O USO DE LOS BIENES EXCEDERÁ EL VALOR DE LA COMPRA.** Las garantías anteriores no se extenderán a bienes sujetos a uso indebido, negligencia, accidente, mantenimiento o instalación incorrecta, o que hayan sido reparados por alguien que no sea el Fabricante o sus representantes autorizados. **LAS GARANTÍAS ANTERIORES SON EXCLUSIVAS Y REEMPLAZAN TODA OTRA GARANTÍA DE COMERCIABILIDAD, IDONEIDAD PARA UN PROPÓSITO DE CUALQUIER OTRO TIPO, YA SEA EXPRESA O IMPLÍCITA.** Ninguna persona podrá variar las garantías o recursos anteriores excepto por escrito y firmado por un trabajador debidamente autorizado por el Fabricante. La aceptación de la entrega de los Bienes al Comprador constituye la aceptación de los recursos y las garantías anteriores, al igual que de todas las condiciones y limitaciones del presente documento.

Tuthill Corporation recomienda que conserve el comprobante de venta como prueba de su compra.

Información y especificaciones técnicas

Dimensiones: 17,1 cm (Al) x 21,5 cm (An) x 10,4 cm (P) (6,75 pulg. x 8,46 pulg. x 4,10 pulg.)

Precisión: $\pm 1,25\%$

Repetibilidad: $\pm 0,25\%$ a la velocidad de flujo calibrada.

Velocidad de flujo: 23 a 151 LPM (6 a 40 GPM)

Clasificación de presión: 3,5 bar (50 psi)

Fabricación: Aluminio

Unidades de medida: Onzas, pintas, cuartos de galón, litros, galones, 1 opción de "unidad de medida especial".

Contador: Contador con restablecimiento de 4 dígitos; (Unidades de 0,01 a 9999).

Totalizadores: Totalizador "maestro" sin restablecimiento de 7 dígitos, secundario con restablecimiento de 7 dígitos.

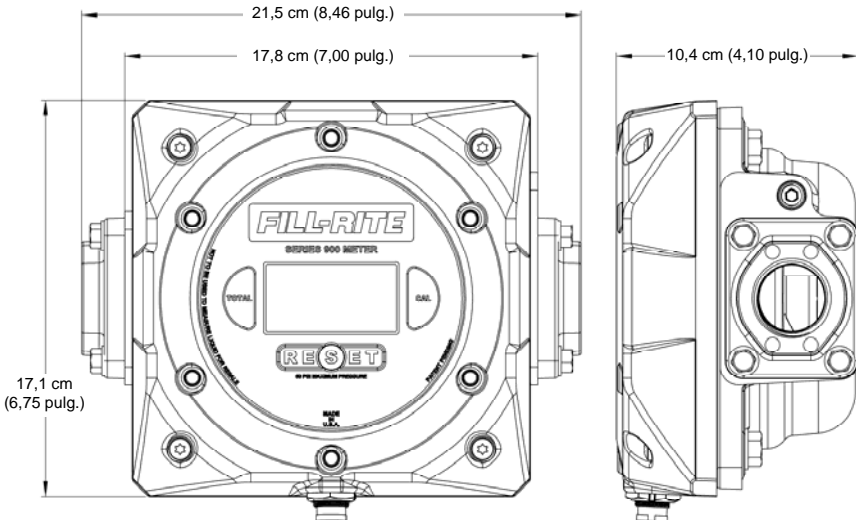
Opciones de montaje: Se puede instalar en montaje vertical u horizontal al girar la pantalla adecuadamente.

Aprobaciones: Lista UL / cUL / ATEX (consulte la página 8 para ver información sobre certificaciones específicas).

Suministro de energía: 2 pilas* "AA" (Alcalina o un equivalente aprobado; Litio opcional para vida útil extendida*); suministro de energía externo opcional en ciertos modelos.

Vida útil esperada de las pilas: 2 a 4 años de uso normal con pilas alcalinas normales.

Rango de temperatura de funcionamiento: -23 °C a 82 °C (-10 °F a 180 °F).



NOTAS

**Manuel d'installation, de fonctionnement et
de sécurité du propriétaire**



Compteur numérique de liquides

Série 900 – Grand débit

Modèles

900D, 900D1.5, 900DBSPT, 900D1.5BSPT

Table des matières

Manuel d'installation, de fonctionnement et de sécurité du propriétaire	1
Table de matières.....	2
Merci!.....	2
À propos du présent manuel	2
Sécurité	3
Installation	3
Procédure de calibrage de compteur	4
Mode d'utilisation.....	5
Avertissement de pile déchargée	6
Entreposage	6
Dépannage.....	6
Compatibilité des liquides	7
Montage et démontage	7
Réparation.....	8
Approbations d'essais de sécurité	8
Pièces de rechange.....	9

Merci !

Merci d'avoir fait l'achat du compteur Fill-Rite Série 900 ! Ce produit Fill-Rite est fabriqué avec plus de 80 ans d'expérience en transfert de liquides derrière lui offrant ainsi la valeur qui accompagne une performance supérieure, un design convivial, une longue durée de vie et une ingénierie solide et simple. Une expérience qui vous donne une tranquillité d'esprit.

Ayez l'esprit tranquille – C'est Tuthill !

À propos du présent manuel

Dès le concept le design initiaux jusqu'à sa production finale, le compteur Fill-Rite es construit pour offrir des années d'utilisation sans heurt. Pour s'assurer qu'il offre ce service, **il est essentiel de lire le présent manuel dans son intégralité avant de tenter d'installer ou de faire fonctionner ce nouveau compteur.** Connaître les termes et schémas, et faire particulièrement attention aux zones mises en surbrillance avec les étiquettes suivantes :



AVERTISSEMENT ! Souligne une zone dans laquelle une blessure corporelle voire la mort pourrait résulter du manque de respect des instructions. Des dommages mécaniques peuvent également se produire.



IMPORTANT ! Ces boîtes contiennent des informations qui illustrent un point qui peut économiser du temps ou peut être essentiel à un bon fonctionnement ou clarifie une étape.



ATTENTION ! Ne pas observer une mise en garde « Attention » peut

Votre satisfaction de nos produits est primordiale pour Fill-Rite. Pour toute question ou tout besoin d'assistance concernant ce produit, prière de nous contacter en composant le 1-800-634-2695 (du lundi au vendredi, de 8 h à 17 h HE).

Sécurité



AVERTISSEMENT ! Pour assurer un fonctionnement sûr et approprié de l'équipement, il est essentiel de lire et d'adhérer à l'ensemble des avertissements et précautions de sécurité suivants. Une mauvaise installation ou utilisation de ce produit peut entraîner des blessures corporelles voire la mort !

- 1) **NE JAMAIS** fumer à proximité du compteur ni utiliser le compteur à proximité de flammes nues lors du dosage d'un liquide inflammable ! L'incendie peut résulter !
- 2) Un filtre « Fill-Rite » doit être utilisé sur la sortie du compteur pour assurer qu'aucun corps étranger ne soit transféré dans le réservoir de carburant.
- 3) Les joints de tuyaux filetés et les connexions doivent être étanchéifiés avec un produit ou un ruban d'étanchéité approprié pour minimiser la possibilité de fuites.
- 4) Les réservoirs de stockage doivent être solidement ancrés pour prévenir tout déplacement ou renversement quand ils sont pleins ou vides.
- 5) Pour minimiser les dépôts d'électricité statique, utiliser un tuyau conducteur de fil statique pour doser les liquides inflammables et conserver la buse de remplissage en contact avec le conteneur qui se remplit durant le processus de remplissage.
- 6) **NE PAS** excéder 3,5 BARS (50 psi) de pression de ligne.
- 7) **NE PAS** installer de clapet de pied additionnel ou de clapet de non-retour sans vanne de surpression ; autrement, le compteur risque de se rompre.



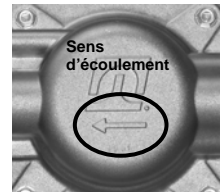
AVERTISSEMENT ! Ce produit ne doit pas être utilisé pour transférer des liquides de tout type de carburant aviation.



AVERTISSEMENT ! Ce produit ne doit pas être utilisé avec des liquides prévus pour la consommation humaine ou animale, ou des liquides contenant de l'eau. Les compteurs nickelés sont approuvés pour être utilisés avec de l'eau non potable, de l'antigel, de certains produits chimiques agricoles et d'autres applications d'eau spécialisées.

Installation

Les compteurs sont fournis pour une canalisation horizontale ; débit de gauche à droite. L'affichage peut être tourné dans une des quatre positions pour la canalisation horizontale ou verticale et pour un débit dans un sens ou un autre.



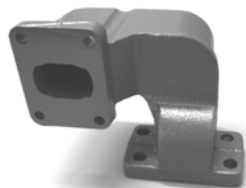
1. Déterminer le sens d'écoulement du liquide.
2. Installer le compteur **en observant la flèche directionnelle sur le moulage sur l'arrière du compteur (encerclé)**. Le liquide DOIT s'écouler dans le sens de la flèche pour un bon fonctionnement.
3. Une fois le compteur plombé en place, retirer quatre vis (encerclées) sur les coins de la face du compteur (embout Torx T25 requis).
4. Faire tourner l'ensemble de face de compteur vers la position souhaitée.
5. Remettre les quatre vis en place.
6. Terminer l'installation en s'assurant que les joints sont correctement étanches et que le compteur est positionné de manière à pouvoir être vu et utilisé facilement.



ATTENTION ! Les joints de tuyaux filetés et les connexions doivent être étanchéifiés avec un produit ou un ruban d'étanchéité approprié pour minimiser la possibilité de fuites.



IMPORTANT ! Si le compteur a été acheté comme partie d'un « Kit », la base de bride de compteur est percée de 4 trous. Ceci permet au compteur d'être utilisé avec des pompes de Séries 300 et 700. Aligner le support du compteur pour l'installation et insérer les boulons dans les deux trous qui s'alignent avec les trous correspondants sur la sortie de pompe. Une fois que le support de compteur est solidement boulonné en place, installer les deux bouchons dans les trous qui n'ont pas été utilisés pour prévenir l'entrée d'humidité.



Calibrage du compteur

Un calibrage de compteur est requis lors de l'installation, après le démontage, à la suite d'une usure considérable ou lors de la distribution d'un liquide de viscosité différente. Le calibrage doit être effectué en 23 et 151 l/min (6 et 40 GPM). Le calibrage du compteur peut facilement être changé en suivant la procédure de calibrage suivante. Il faudra un conteneur de volume **CONNU** pour la procédure de calibrage. Pour le compteur numérique de Série 900, un conteneur de 20 litres (5 gallons) ou plus doit être utilisé.

Procédure de calibrage de compteur

On configure l'unité de mesure et de calibrage à l'aide d'un processus à 3 étapes.

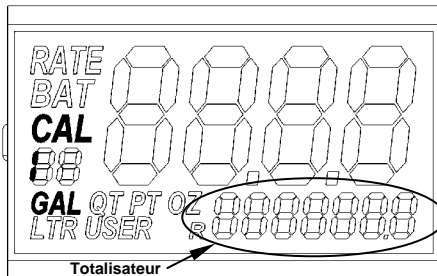
- 1) Sélectionner l'unité de mesure souhaitée.
- 2) Remplir un conteneur d'un volume connu à l'aide du liquide souhaité.
- 3) Saisir la quantité de liquide distribué.

Avant le calibrage, l'unité doit être placée en mode Calibrage. Appuyer sur les boutons CAL et TOTAL simultanément et les maintenir enfoncés pendant 5 secondes pour entrer en mode Calibrage.



IMPORTANT ! Lors du calibrage, les totalisateurs n'augmenteront pas en valeur.

- 1) L'unité, par défaut, passera à la dernière unité de mesure utilisée.
- 2) Appuyer sur le bouton TOTAL et le relâcher pour basculer entre les unités disponibles de mesure.
- 3) Appuyer sur le bouton CAL et le maintenir enfoncé pendant 2 secondes pour passer à l'étape suivante.
- 4) Si on ne touche pas le compteur pendant 2 minutes ou si le bouton RESET (Réinitialisation) est appuyé, l'unité quittera automatiquement le mode Calibrage et ignorera tout changement de volume.



IMPORTANT ! La distribution dans un conteneur d'un volume connu permet à l'unité de calculer automatiquement la valeur de mise à l'échelle interne pour compenser les viscosités de liquides et le débit du système.

- 1) CAL 2 s'affichera.
- 2) Commencer à distribuer le liquide dans le conteneur.
- 3) **FILL** [remplissage] commencera à clignoter une fois que l'écoulement du liquide est détecté.
- 4) Distribuer la quantité souhaitée de liquide ; arrêter l'écoulement dès que le niveau désiré est atteint.
- 5) Appuyer sur le bouton CAL et le maintenir enfoncé pendant 2 secondes pour passer à l'étape suivante.

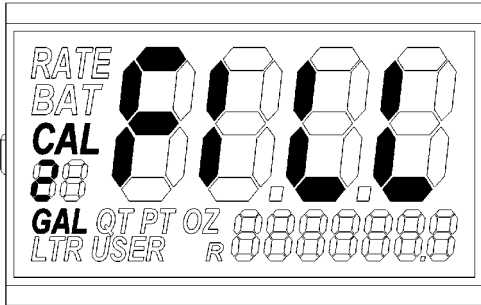


IMPORTANT ! Si laissé non touché pendant 2 minutes ou si le bouton RESET [réinitialisation] est appuyé, le compteur quittera le Mode Calibrage et tout liquide distribué sera ignoré.

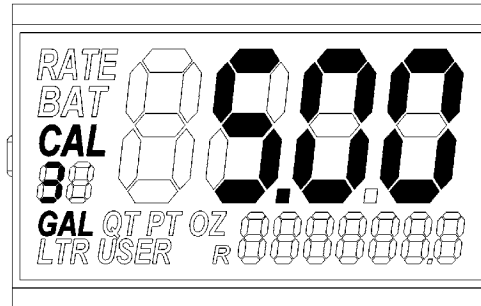
- 1) Appuyer sur le bouton CAL et le maintenir enfoncé pendant 2 secondes avant de distribuer dans un conteneur forcera le compteur à sauter l'opération de remplissage et ne changera que l'unité de mesure.



IMPORTANT ! Pour une précision maximum, essayer d'être aussi près que possible du volume distribué **sans changer le débit.**



- 1) Le chiffre le plus à gauche commencera à clignoter.
- 2) À l'aide du bouton TOTAL, faire défiler de 0 à 9 jusqu'à sélection du nombre souhaité.
- 3) Appuyer sur le bouton CAL et le relâcher pour passer au chiffre suivant.
- 4) Refaire les étapes 3-4 jusqu'à ce que le montant de liquide distribué ait été saisi.
- 5) En cas d'erreur lors de la saisie d'un chiffre, appuyer sur le bouton TOTAL et le relâcher à plusieurs reprises jusqu'à ce que le chiffre soit de nouveau actif.



- 6) Appuyer sur le bouton CAL et le maintenir enfoncé pendant 2 secondes pour terminer le processus de calibrage et ce, quel que soit le chiffre actuel sélectionné.
- 7) Si au dernier chiffre et que le bouton CAL est appuyé pendant moins de 2 secondes, le processus doit revenir au chiffre le plus à gauche, mais retenir la valeur actuelle. Ceci permet à l'utilisateur de modifier une valeur incorrecte.
- 8) Un contrôle d'erreur pour erreurs grossières de calibrage (+/- 15 %) sera effectué sauf si les unités USER [Utilisateur] sont sélectionnées. En cas de détection d'erreur, le compteur affichera Err0 jusqu'à ce qu'un bouton soit appuyé et que le processus de calibrage soit avorté.
- 9) Si on ne touche pas le compteur pendant 2 minutes ou si le bouton RESET (Réinitialisation) est appuyé, l'unité quittera automatiquement le mode Calibrage et ignorera tout changement.

Mode d'utilisation

Pour mesurer avec précision et prévenir tout dommage du compteur, le distributeur et la tubulure doivent toujours être remplis de liquide et exempt d'air. La portion du compteur du distributeur doit être calibrée selon le mode d'utilisation du présent manuel.

La face du Compteur numérique Fill-Rite Série 900 incorpore trois boutons qui contrôlent toutes les fonctions de fonctionnement et de calibrage.

Pour activer l'affichage ou éveiller le compteur du mode « Sleep » [veille], il suffit d'appuyer sur n'importe quel bouton sur la face. L'affichage s'activera et on peut continuer avec la fonction souhaitée. La distribution du liquide activera également l'affichage du compteur.





IMPORTANT ! Quand le compteur est mode « Deep Sleep » [veille profonde], la distribution de liquide **N'ACTIVERA PAS** le compteur. Le compteur n'affichera ni accumulera de liquide qui est distribué tout en étant en mode « Deep Sleep » [veille profonde].

- Le dernier compte et le totalisateur sélectionné sont retenus et affichés lorsque le compteur est activé.
- Appuyer et relâcher le bouton TOTAL pour basculer entre les totalisateurs réinitialisables et non réinitialisables. (L'icône R s'affichera lorsque le total réinitialisable est affiché).
- Appuyer et maintenir le bouton RESET [réinitialisation] pendant 2 secondes pour réinitialiser le compteur.
- Appuyer et maintenir le bouton RESET [réinitialisation] et les boutons TOTAL pendant 2 seconde pour réinitialiser le totalisateur. **Le totalisateur réinitialisable doit être actif pour le réinitialiser.**
- Appuyer sur le bouton RESET et les boutons CAL et les maintenir enfoncés pendant 2 secondes pour afficher la version logicielle pendant 2 secondes puis effectuer un contrôle de segment pendant 3 secondes, et restaurer ensuite l'affichage.
- Appuyer sur le bouton CAL et le maintenir enfoncé pendant 5 secondes pour mettre le compteur en mode veille profonde.



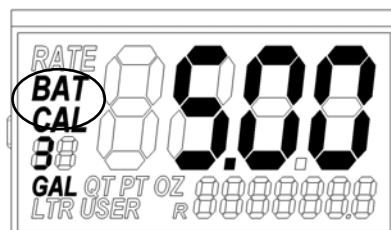
IMPORTANT ! Le mode « Deep Sleep » [veille profonde] est conçu pour maintenir un statut de préparation opérationnelle tout en offrant une conservation de piles. Le compteur doit être mis dans ce mode lors de ce qui suit :

- Rinçage de l'unité de manière à ce que le volume distribué ne soit pas compté.
- Déplacement sur surfaces irrégulières (hors terrain) où le liquide est agité et que l'on ne veut pas compter le volume provenant du mouvement.
- Prolongement de la durée de vie des piles ; il n'y a pas de sanction pour la mettre en mode veille profonde à plusieurs reprises.

- Au bout de 30 secondes d'inactivité, l'affichage sera vide pour conserver l'alimentation par pile.
- Si le compteur est connecté à la source d'alimentation externe, l'affichage ne sera pas vide à moins d'être forcé en mode de veille profonde.
- Si l'alimentation externe est désactivée, le compteur passera aux caractéristiques fonctionnant uniquement sur piles et vice-versa.
- Le compteur et le totalisateur 2 peuvent être réinitialisés même en cas de détection d'écoulement de liquide. Le compteur continuera de compter pendant les 2 secondes où le bouton RESET est appuyé, puis se réinitialisera à 0 et recommencera à compter.

Avertissement de pile déchargée

L'affichage numérique inclut un voyant d'avertissement « Low Battery » [pile déchargée]. Lorsque la pile atteint un niveau suffisamment bas pour nécessiter un remplacement, l'affichage indique « BAT » comme rappel de changement de pile. Le cas échéant, remplacer les piles selon la procédure à la page 7.



Entreposage

Si le compteur doit être entreposé pendant une période prolongée, le nettoyer à fond et ce, pour le protéger de tout dommage éventuel.

Dépannage

Le guide de dépannage suivant est conçu pour aider avec les diagnostics et réparations de base en cas de service anormal du compteur Série 900. Il est recommandé de n'utiliser que des pièces authentiques Fill-Rite. Ces pièces, ainsi que toute information additionnelle sur l'entretien, sont disponibles auprès du concessionnaire homologué Fill-Rite.

D'autres informations concernant le dépannage figurent dans le manuel de la pompe. Pour tout besoin d'assistance additionnelle, prière de nous contacter en composant le 1-800-634-2695 (du lundi au vendredi, de 8 h à 17 h HE).

Problème	Cause possible	Réparation recommandée
Compteur inexact.	Compteur mal calibré.	Vérifier le calibrage et recalibrer si besoin est (instructions en page 4).
	Présence d'air dans les conduites ou la chambre de dosage.	Vérifier les joints de conduite et les joints pour fuite éventuelle ; étanchéifier les fuites de manière appropriée.
	Engrenages de mesure ou disque sont grippés.	Nettoyer ou remplacer les composantes de dosage internes selon les besoins.
Débit faible.	Chambre de compteur colmatée.	Nettoyer la chambre de compteur ; nettoyer ou remplacer les tamis et les filtres dans la tuyauterie.
Corps du compteur se fissure.	Pression de ligne excessive.	Installer une vanne de surpression pour permettre à la haute pression de se purger dans le réservoir. Remplacer le compteur.
Disque oscillant cassé.	Contact soudain de liquide à haute pression avec le disque.	Éviter des sauts de débit en installant un robinet d'arrêt sur la sortie du compteur ; installer le compteur aussi près de la pompe que possible, en conservant la tuyauterie remplie de liquide. Remplacer le disque cassé.

Compatibilité des liquides

Le compteur de la Série 900D EST compatible avec les liquides suivants :

Carburant diesel Biodiesel (jusqu'à B20) Essences minérales Heptane Hexane

Le compteur de la Série 900D N'EST PAS compatible avec les liquides suivants :

Eau de Javel Acide chlorhydrique Encre Acide sulfurique Eau de mer Essence



ATTENTION ! En cas de doute de compatibilité d'un liquide spécifique, contacter le fournisseur du liquide pour vérifier toute réaction nuisible aux matériaux mouillés suivants :

Aluminium Acier inoxydable Fluorocarbure Buna N Polyester Nickel Acétal

Montage et démontage

Le compteur de Série 900 comporte un compartiment de chambre, chambre de mesure, arbre d'entraînement, ensemble de compteur numérique et couvercle. Le design du compteur est tel qu'il peut être complètement démonté sans entraver la canalisation (consulter le schéma en page 9 pour références d'articles).

Accès aux piles

Pour accéder aux piles (2 piles AA) (figure 1) :

- 1) Retirer les quatre vis en haut et en bas de l'enjoliveur avant (Torx n° T25).
- 2) Relever l'enjoliveur. Les piles se trouvent sur l'arrière de l'affichage ; utiliser un tournevis cruciforme pour retirer les vis de couvercle pour accéder aux piles.
- 3) Remonter en inversant cette procédure.

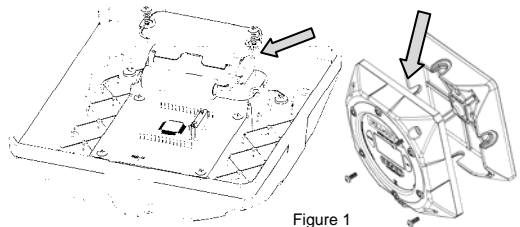


Figure 1

Ensemble de chambre de compteur

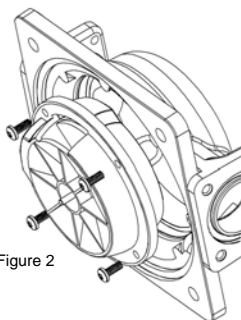


Figure 2

La chambre de compteur comporte des chambres supérieure et inférieure, un disque oscillant et quatre vis (figure 2).

- 1) Pour exposer l'ensemble de chambre de compteur et retirer les 4 vis.
- 2) La chambre de compteur peut être délogée en retirant 4 vis.

Remonter en inversant cette procédure.



IMPORTANT ! Lors du remplacement de toute composante de la chambre de compteur, **l'ensemble complet doit être remplacé en raison de sa méthode précise de construction.** Ceci assurera une bonne tenue et un fonctionnement correcte de la chambre.

Réparation

Les compteurs ayant besoin d'être réparés doivent être apportés à un établissement de réparations agréé. Les compteurs DOIVENT être rincés à trois reprises avant de les apporter pour réparations.



IMPORTANT ! Lors du retour d'un compteur pour réparation, il doit être rincé à trois reprises et accompagné d'une note indiquant quels produits chimiques y ont été pompés. Les compteurs n'adhérant pas à ces spécifications peuvent être refusés pour service.

Approbations d'essais de sécurité

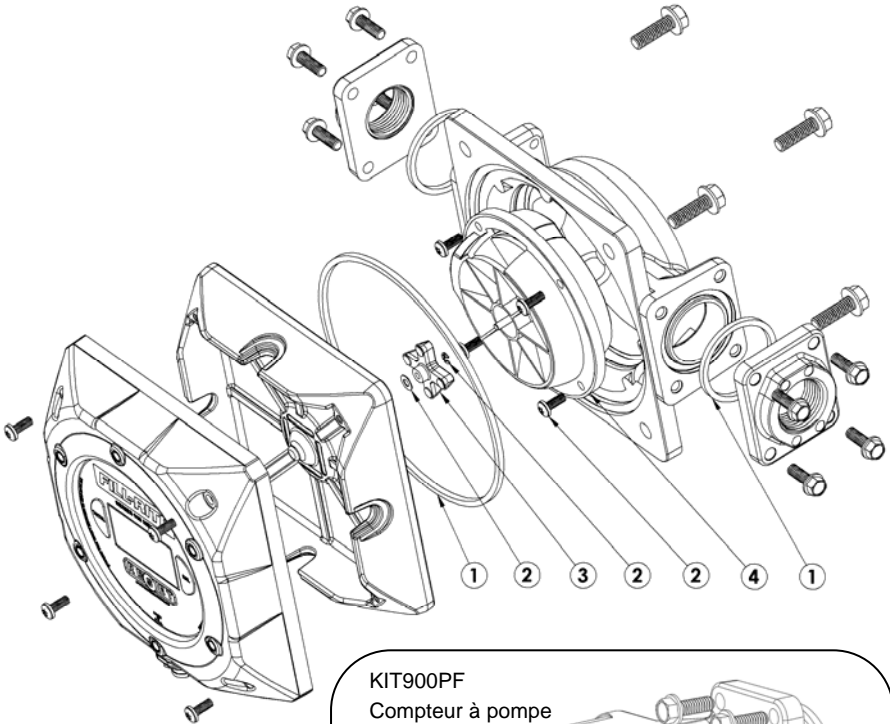
Les compteurs **Fill-Rite** Série 900D ont été testés pour conformité aux normes énoncées par Underwriters Laboratories (UL), UL Canada, ATEX et d'autres organismes d'essais. **Pour déterminer quelles conformités spécifiques s'appliquent au compteur en question, consulter la plaque signalétique pour toute information et tout logo de conformité.**



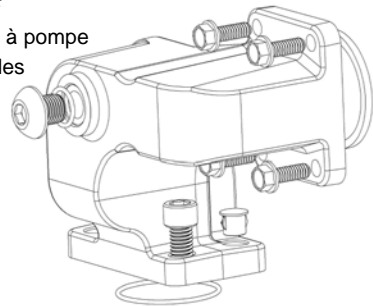
Pièces de rechange

Les pièces de rechange peuvent être obtenues auprès de tout concessionnaire Fill-Rite agréé. S'assurer de n'utiliser que des pièces de rechange Fill-Rite authentiques pour les besoins de service et de maintenance. Pour obtenir une liste de concessionnaires agréés, prière de consulter notre site Web à www.fillrite.com.

Modèles 900D, 900D1.5, 900DBSPT, 900D1.5BSPT



KIT900PF
Compteur à pompe
Kit de brides



Kit de pièces de rechange du compteur numérique Série 900

Référence de kit	#	Description	Qté
KIT 900DKY	1	Joint requis	3
	2	Fixations requises	4
	3	Entraîneur magnétique	1
	4	Ensemble de chambre	1

Installation électrique

Alimentation interne (alimentation sur piles)

Tous les compteurs numériques Série 900D sont alimentés sur piles. Le compteur est muni d'un plateau à piles situé derrière la plaque signalétique sur la carte de circuit imprimé elle-même. Ces unités sont alimentées par deux piles alcalines AA. Sous un emploi normal, ces piles doivent fournir entre 2 et 4 ans d'utilisation. L'affichage numérique contient un avertissement intégral de niveau de piles déchargées (voir détails en page 6). Des piles au lithium peuvent également être utilisées pour fournir une durée de vie prolongée (généralement entre 4 et 6 ans en service normal). Pour toute question concernant les piles de rechange appropriées pour le compteur, prière de contacter le représentant du support technique du Service à la clientèle Fill-Rite au 1-800-634-2695 (du lundi au vendredi de 8 h à 17 h HE). Une sélection incorrecte de piles risque d'annuler la certification UL.



AVERTISSEMENT ! Le Compteur numérique 900D **NE DOIT PAS** être installé dans une atmosphère explosive !

Garantie du produit Tuthill

Tuthill Transfer Systems (« Fabricant ») garantit à chaque acheteur consommateur de ses produits Fill-Rite (« Acheteur ») à compter de la date de la facture ou du reçu de vente, que les marchandises de sa fabrication (« Marchandises ») seront exemptes de tout vice de matériau et de fabrication. La durée de la garantie est comme suit :

- Produits de service intensif – Deux ans
- Produits de service standard – Un an
- Produits de service économique – Un an
- Compteurs armoires, pièces et accessoires – Un an

La seule obligation de Fabricant en vertu des garanties précédentes sera limitée soit – sur l'option du Fabricant – à la réparation soit au remplacement des marchandises défectueuses (sous réserve des limitations indiquées ci-après) ou au remboursement du prix d'achat pour lesdites Marchandises jusqu'alors payé par l'acheteur, et le recours exclusif de l'Acheteur pour rupture desdites garanties sera la mise en vigueur desdites obligations du Fabricant. Si le Fabricant demande le retour desdites Marchandises, celles-ci seront relivrées au fabricant conformément aux instructions du Fabricant FOB Usine. Les recours contenus aux présentes constitueront le seul recours de l'Acheteur contre le Fabricant pour violation de garantie. **LE FABRICANT NE SERA EN AUCUN CAS RESPONSABLE DE TOUTE REVENDICATION POUR DOMMAGES RÉSULTANT DE LA FABRICATION, DE LA VENTE, DE LA LIVRAISON OU DE L'UTILISATION DES MARCHANDISES EXCÉDANT LE PRIX D'ACHAT.** Les garanties précédentes ne s'étendront pas aux marchandises soumises à une mauvaise utilisation, une négligence, un accident, une installation ou une maintenance inappropriée, ou qui ont été réparées par quiconque autre que le Fabricant ou son représentant agréé. **LES GARANTIES PRÉCÉDENTES SONT EXCLUSIVES ET REMPLACENT TOUTE AUTRE GARANTIE DE QUALITÉ MARCHANDE OU D'ADAPTATION À UN USAGE PARTICULIER, QU'ELLE SOIT EXPRESSE OU TACITE.** Personne ne peut modifier les garanties ou recours précédents sauf par écrit et signé par un officier dûment agréé du Fabricant. L'acceptation par l'Acheteur de la livraison des Marchandises constitue l'acceptation des garanties et recours précédents ainsi que de toutes les conditions et limitations correspondantes.

Tuthill Corporation recommande de conserver le reçu de vente comme preuve d'achat.

Spécifications et informations techniques

Encombrement : 17,1 cm (H) x 21,5 cm (L) x 10,4 cm (P) (6,75 po x 8,46 po x 4,10 po)

Précision : $\pm 1.25\%$

Répétabilité : $\pm 0,25\%$ au débit calibré.

Débit : 23 à 151 l/min (6 à 40 gpm)

Capacité de pression : 3,5 BAR (50 psi)

Construction : Aluminium

Unités de mesure : onces, pintes, quarts, litres, gallons, 1 option « Unité spéciale de mesure ».

Compteur : Compteur réinitialisable à 4 chiffres ; (0,01 – 9 999 unités).

Totalisateurs : Totalisateur « maître » non réinitialisable à 7 chiffres, totalisateur secondaire réinitialisable à 7 chiffres.

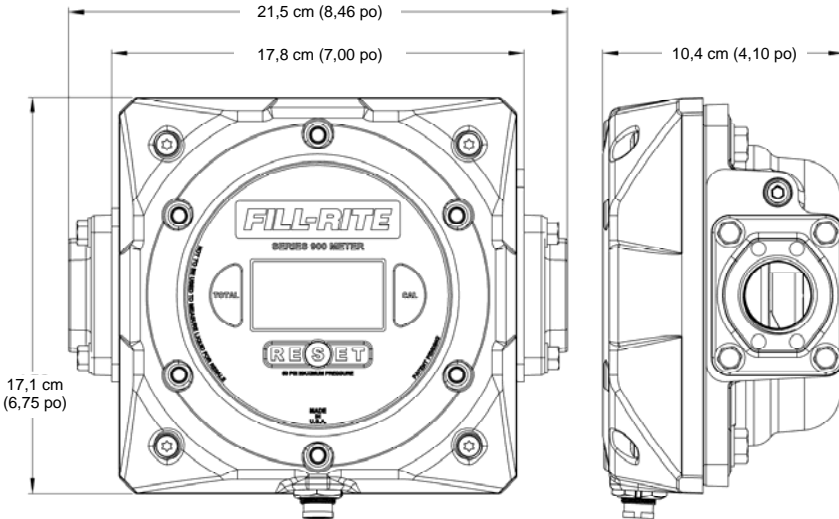
Options de montage : Peut être installé pour un montage vertical ou horizontal en faisant tourner l'affichage en conséquence.

Homologations : UL / cUL / ATEX Listing (voir page 8 pour informations sur homologations spécifiques).

Alimentation : 2 piles AA* (alcalines ou équivalent approuvé ; lithium en option pour durée de vie prolongée*); alimentation externe en option sur certains modèles.

Durée de vie de piles escomptée : 2 à 4 ans d'utilisation normale avec des piles alcalines standard.

Plage de température de fonctionnement : -23 à 82 °C (-10 à 180 °F).



REMARQUES