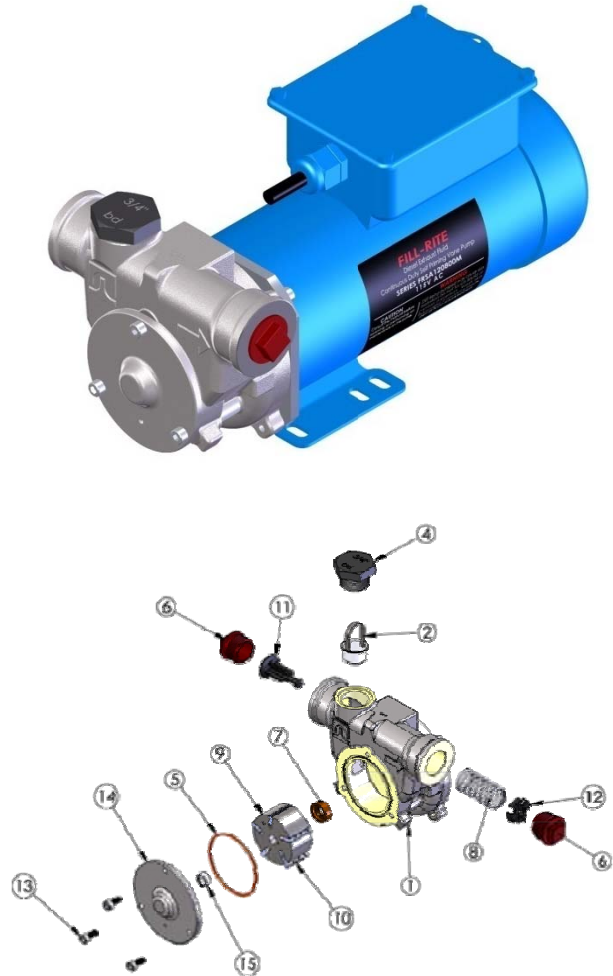


8 GPM Diesel Exhaust Fluid Pump

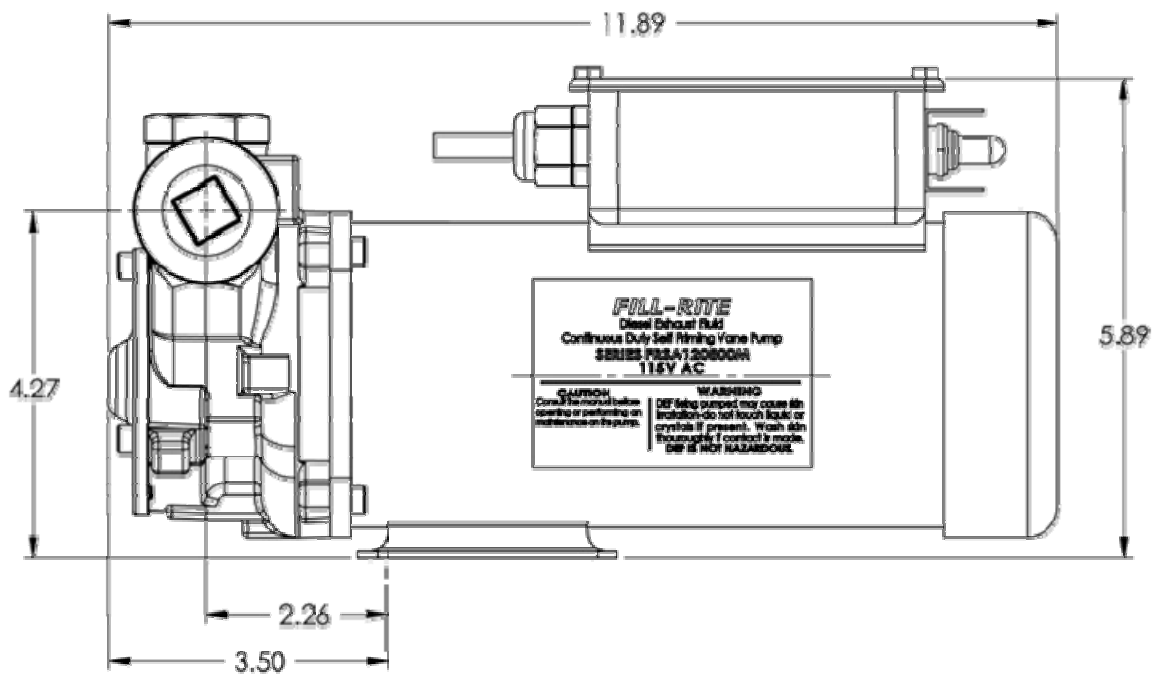
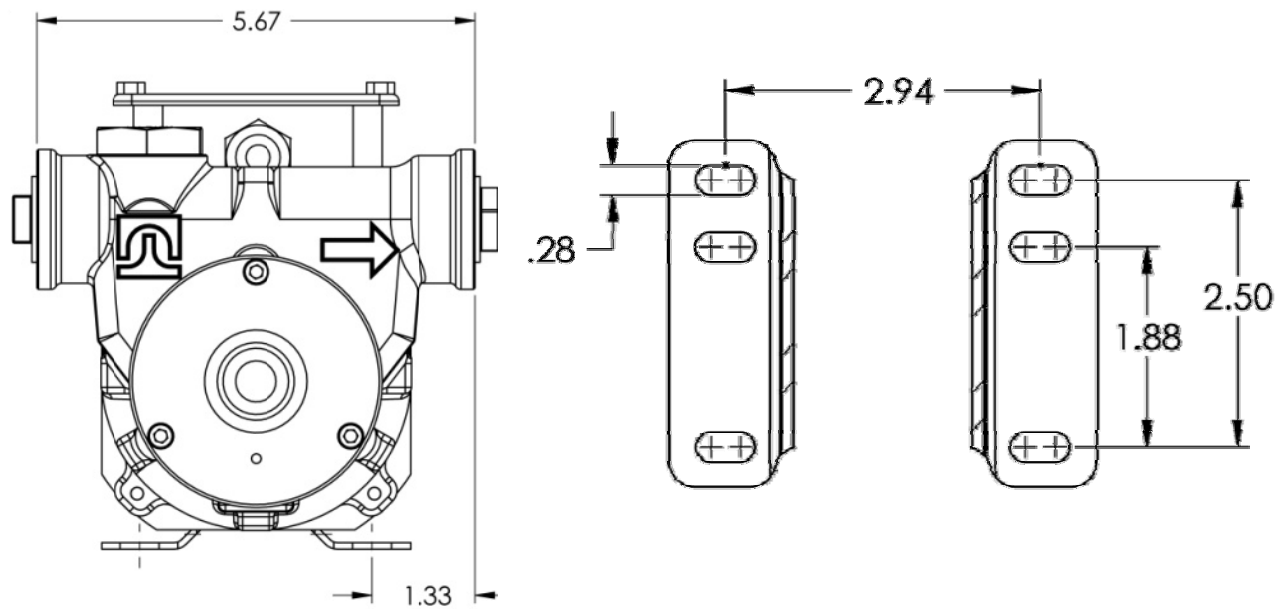
Technical Information

Material of Construction	
Housing	304SS
Shaft	304SS
Rotors	304SS
Vanes	POM / Acetal
Seal	Viton®
O-rings	Viton®
Bushings	Polypropolene
Product Specs	
Flow - GPM (LPM)	8 (30.3)
Pressure - PSI (Bar)	30 (2.07)
Min/Max Temp	5 to 120F
Motor HP (kW)	.5 (373)
Speed - RPM	3,450
Duty Cycle	Continuous
Max Viscosity - SSU	50
Porting Inlet / Outlet	NPT or BSPP
Motor Enclosure	TEFC
Efficiency	89%
Max FLA - amps	7.2
Misc	
Mounting	Foot
Certifications	Motor UL
Electrical input	110VAC
Platform (technology)	Vane Pump



LOP	Pump Type	GPM	Motor Detail	Seal	Thread	Pump Body	Pump Internals	REV
S-Sotera	V-Vane	8	AR - 115VAC 3450 RPM	D	N-NPT B-BSPP	S-Stainless	D-POM-Viton Seal	0

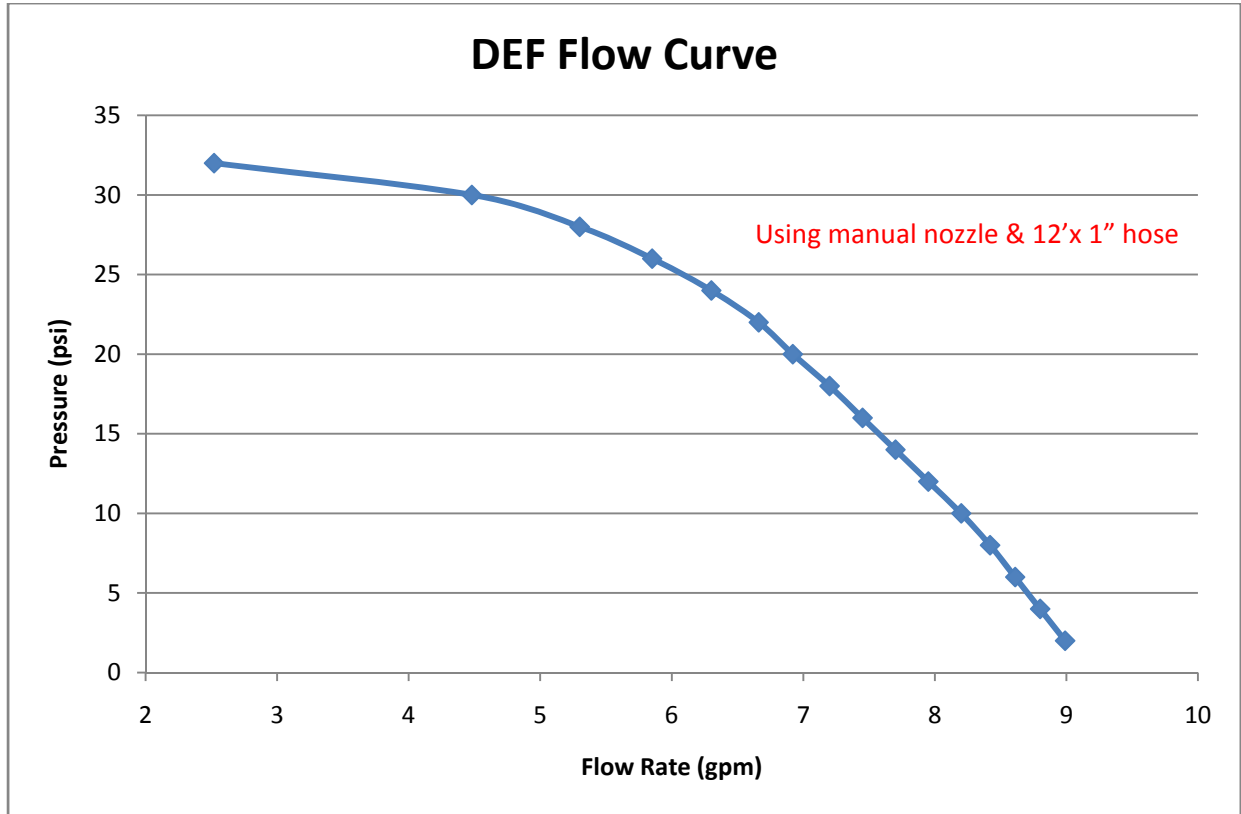
Dimensional Information



Performance Information

8GPM DEF Pump

DEF Flow Curve



Changes in temperatures, fluid viscosity, and system accessories may shift the performance curves.

Accessory Information

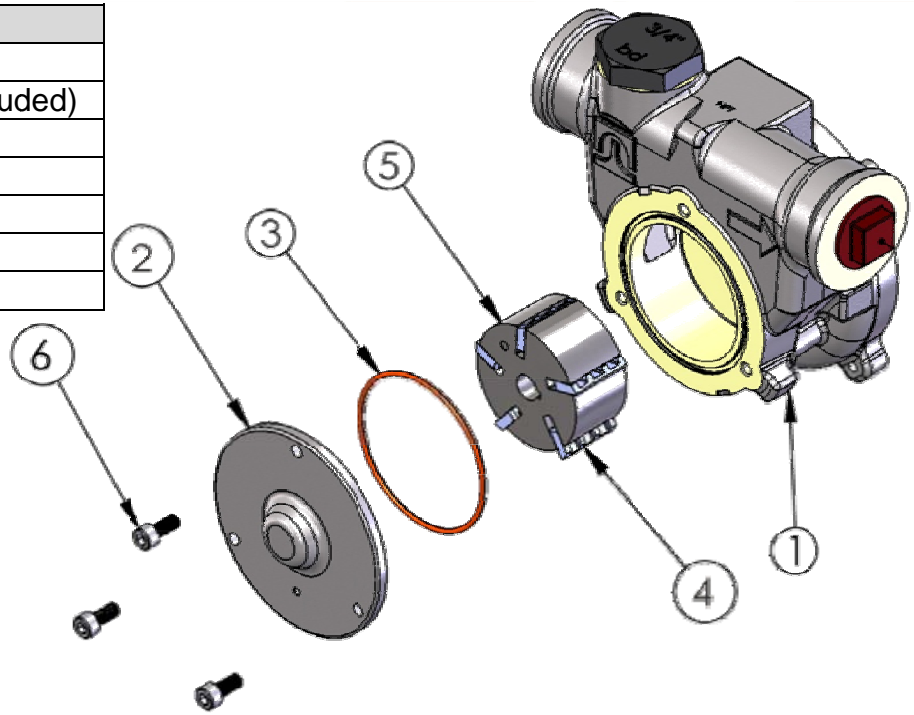
Accessories		
Part Number	Description	Contents
KITFR180MPPS	Tote Plate	Mounting plate for SV8 motor and nozzle rest
KITFR55DU	Drum Kit	Roller Base with Locking Roller Bearing Casters, Tote Plate Platform, Drum Lock Bar
TS06CEDMA-V01	Digital Meter	3/4" NPT Stainless Steel Precision Oval Gear Meter
825D075BSPP	Digital Meter	825 Series Sotera Nutating Disc Meter, BSPP Threads
FRNS075A	Nozzle	3/4" Automatic Dispensing Nozzle with hanging hook, BSPP threads



Tuthill Transfer Systems
 8825 Aviation Drive
 Ft. Wayne, IN 46809
 (260) 747-7529
 www.tuthill.com

Repair Kit Information

KIT180RG	
#	Description
1	Pump Housing (not included)
2	Rotor Cover
3	O-ring seal
4	Vanes
5	Rotor
6	Fastening Hardware



Rotor Orientation

