

Repair Kits (kit # / parts included)

KIT700SW: 55, 56

KIT700JC: 36, 53, 54

KIT700BV: 30, 31, 32

KIT700SL: 15 — 23

KIT700RG: 5, 6, 7, 24, 25, Cover

KIT700BG: 62

KIT700SG: 2, 3, 4

KIT120NB: 60, 61

KIT700BD*: 3, 7, 11, 15-23, 30, 33

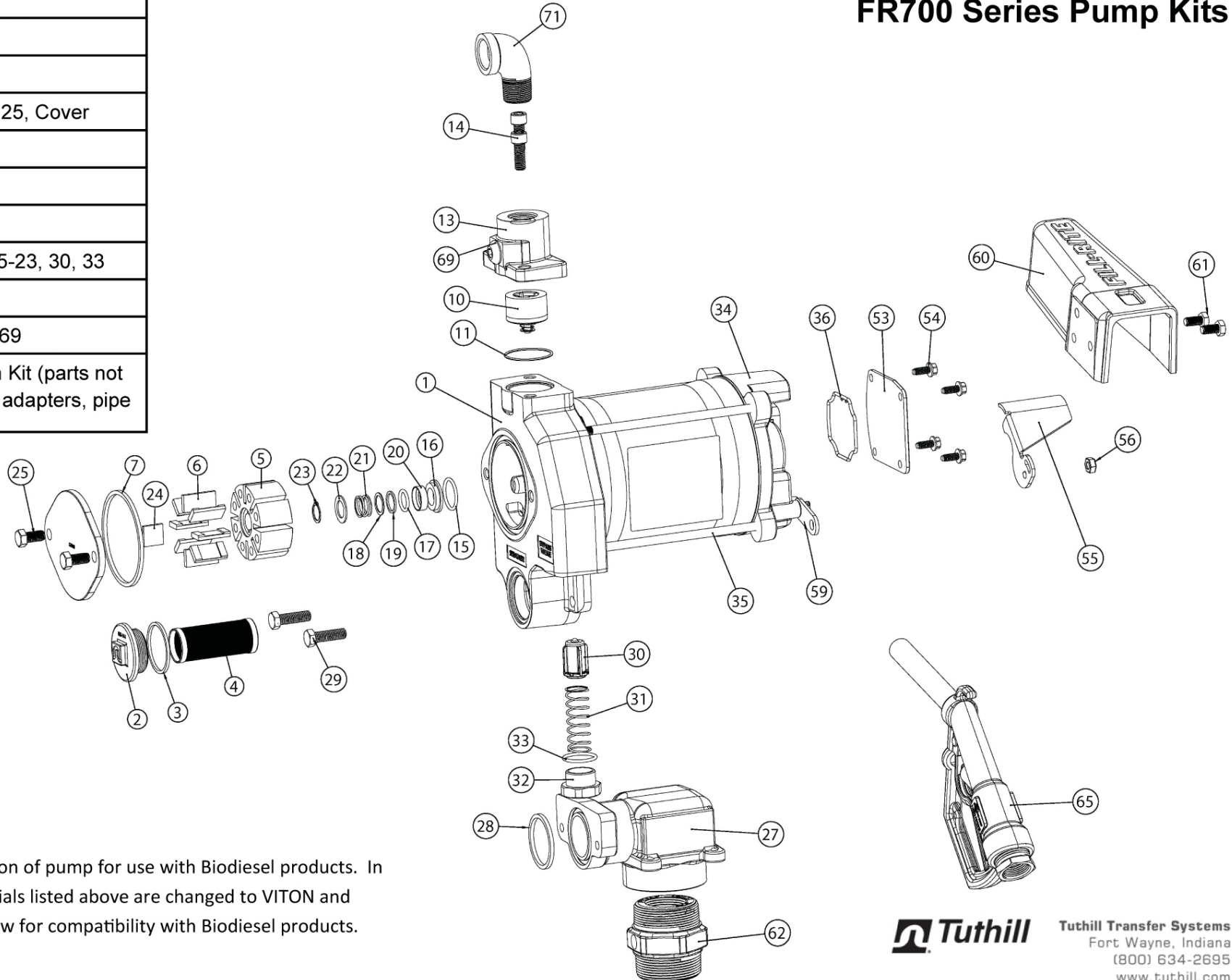
KIT700CV: 10, 11

KIT700OT: 11, 13, 14, 69

KIT700AS: Anti-Siphon Kit (parts not shown): Tube, O-rings, adapters, pipe

FILL-RITE®

FR700 Series Pump Kits



*KIT700BD is for conversion of pump for use with Biodiesel products. In this kit, the wetted materials listed above are changed to VITON and Fluorocarbon seals to allow for compatibility with Biodiesel products.