

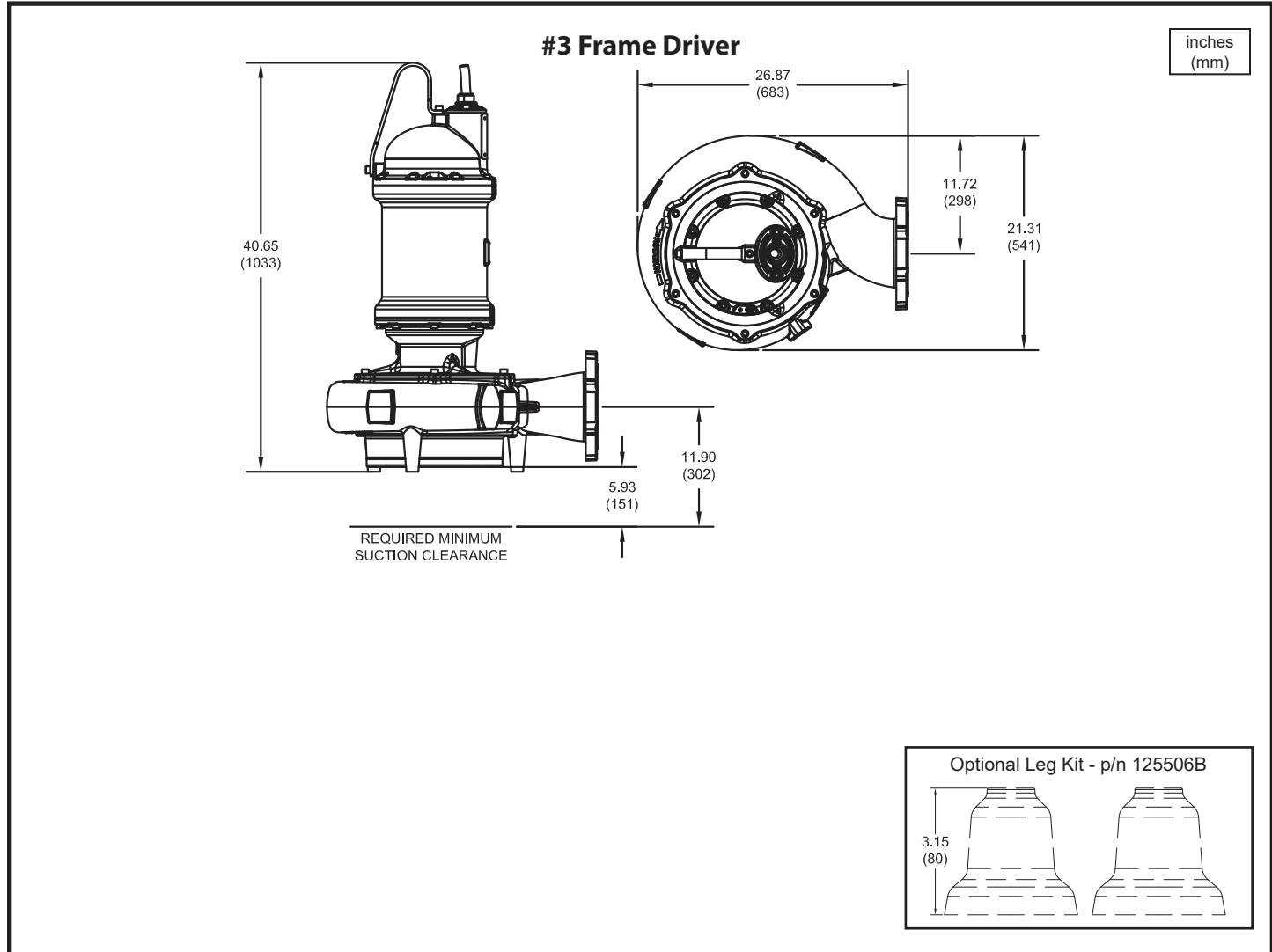
Size 6D (Dual Vane)

7366*-618

DEMING®

www.cranepumps.com

Demersible Chopper Pumps



Model No.	Imp. Dia. inches (mm)	HP	Volt	PH	Hz	RPM	NEMA Start Code	Full Load Amps	S.F.	S.F. Amps	Locked Rotor Amps	Cord P/N ▲	Cord Size
7366*-618-62-32N	9.25 (235)	25	460	3	60	1750	G	33.2	1.2	38.9	191.9	125499	8/4 - 18/4
7366*-618-77-32N	9.25 (235)	25	575	3	60	1750	G	26.6	1.2	31.1	153.5	125497	12/4 - 18/4
7366*-618-63-32N	9.84 (250)	30	460	3	60	1750	F	38.9	1.2	45.9	191.9	125499	8/4 - 18/4
7366*-618-78-32N	9.84 (250)	30	575	3	60	1750	F	31.1	1.2	36.7	153.5	125499	8/4 - 18/4

* FOR NON-EXPLOSION PROOF (STANDARD) MODELS, USE FIGURE NUMBER 7366N.

▲ CORD SOLD SEPARATELY.

IMPORTANT !

- 1.) MOISTURE AND TEMPERATURE SENSORS **MUST** BE CONNECTED TO VALIDATE THE CSA LISTING.
- 2.) A SPECIAL MOISTURE SENSOR RELAY IS REQUIRED IN THE CONTROL PANEL FOR PROPER OPERATION OF THE MOISTURE SENSORS. CONTACT CP&S FOR INFORMATION CONCERNING MOISTURE SENSING RELAYS FOR CUSTOMER SUPPLIED CONTROL PANELS.
- 3.) THESE PUMPS ARE CSA LISTED FOR PUMPING WATER AND WASTEWATER. **DO NOT USE TO PUMP FLAMMABLE LIQUIDS.** NOT SUITABLE FOR ENVIRONMENTS CONTAINING GASOLINE OR HEXANE.
- 4.) INSTALLATIONS SUCH AS DECORATIVE FOUNTAINS OR WATER FEATURES PROVIDED FOR VISUAL ENJOYMENT MUST BE INSTALLED IN ACCORDANCE WITH THE NATIONAL ELECTRIC CODE ANSI/NFPA 70 AND/OR THE AUTHORITY HAVING JURISDICTION. THIS PUMP IS NOT INTENDED FOR USE IN SWIMMING POOLS, RECREATIONAL WATER PARKS, OR INSTALLATIONS IN WHICH HUMAN CONTACT WITH PUMPED MEDIA IS A COMMON OCCURRENCE.
- 5.) A **NON-SPARKING** BREAKAWAY FITTING MUST BE USED TO VALIDATE THE EXPLOSION PROOF LISTING.
- 6.) WINDING RESISTANCE ± 7.5%. WINDING RESISTANCE MEASURED IN OHMS @ 25°C (BETWEEN LINES) AT MOTOR LEADS.
- 7.) PUMP RATED FOR OPERATION AT ± 10% VOLTAGE AT MOTOR.
- 8.) CORD SUFFIX: XF - 50 FEET, XJ - 75 FEET, OR XL - 100 FEET. CORD SOLD SEPARATELY.
- 9.) ALL EXPLOSION PROOF PUMPS AND MOTORS ARE CSA EXPLOSION-PROOF TO CLASS I DIVISION 1 GROUPS C&D T4 RATING

SECTION 42B
PAGE 48
DATE 2/19

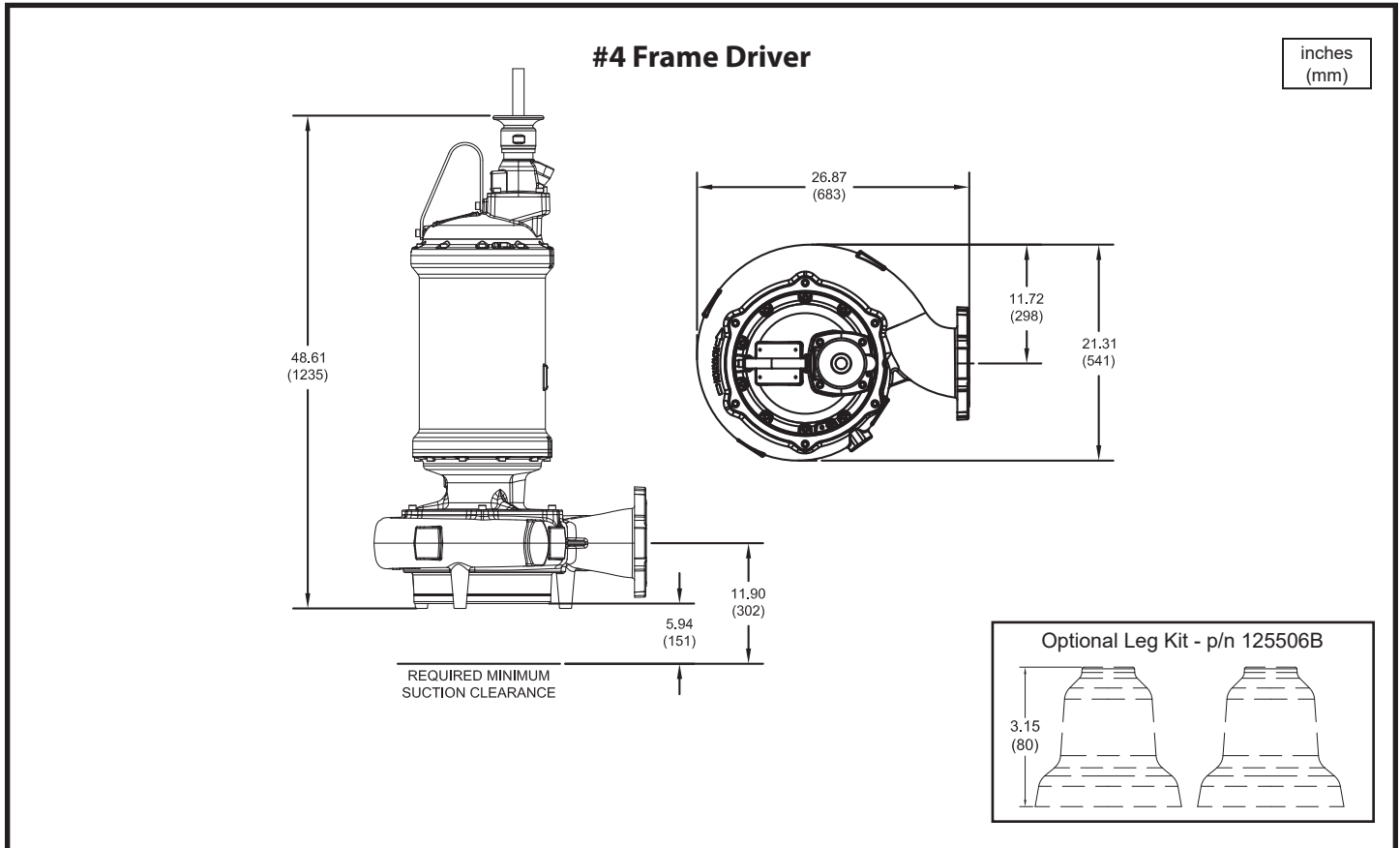
CRANE®

PUMPS & SYSTEMS

A Crane Co. Company

USA: (937) 778-8947 • Canada: (905) 457-6223 • International: (937) 615-3598

Demersible Chopper Pumps



Model No.	Imp. Dia. inches (mm)	HP	Voit	PH	Hz	RPM	NEMA Start Code	Full Load Amps	S.F.	S.F. Amps	Locked Rotor Amps	Cord P/N ▲	Cord Size
7366*-618-32-32N	9.25 (235)	25	208	3	60	1750	G	77.8	1.2	93.4	359.0	138319	2/4 - 18/4
			230					82.3		82.3		138319	2/4 - 18/4
7366*-618-33-32N	9.84 (250)	30	208	3	60	1750	E	93.4	1.2	116.9	359.0	138319	2/4 - 18/4
			230					82.3		98.7		138319	2/4 - 18/4
7366*-618-49-32N	10.63 (270)	40	230	3	60	1750	E	106.0	1.2	126.4	486.0	138319	2/4 - 18/4
7366*-618-64-32N	10.63 (270)	40	460	3	60	1750	E	53.0	1.2	63.2	243.0	138318	6/4 - 18/4
7366*-618-79-32N	10.63 (270)	40	575	3	60	1750	E	42.4	1.2	50.6	194.4	138317	8/4 - 18/4
7366*-618-65-32N	11.62 (295)	50	460	3	60	1750	F	67.1	1.2	79.0	339.0	138318	6/4 - 18/4
7366*-618-80-32N	11.62 (295)	50	575	3	60	1750	F	53.7	1.2	63.2	271.2	138318	6/4 - 18/4
7366*-618-66-32N	12.40 (315)	60	460	3	60	1750	E	79.0	1.2	95.5	339.0	138319	2/4 - 18/4
7366*-618-81-32N	12.40 (315)	60	575	3	60	1750	E	63.2	1.2	76.4	271.2	138318	6/4 - 18/4

* FOR NON-EXPLOSION PROOF (STANDARD) MODELS, USE FIGURE NUMBER 7366N.
▲ CORD SOLD SEPARATELY.

IMPORTANT !

- 1.) MOISTURE AND TEMPERATURE SENSORS **MUST** BE CONNECTED TO VALIDATE THE CSA LISTING.
- 2.) A SPECIAL MOISTURE SENSOR RELAY IS REQUIRED IN THE CONTROL PANEL FOR PROPER OPERATION OF THE MOISTURE SENSORS. CONTACT CP&S FOR INFORMATION CONCERNING MOISTURE SENSING RELAYS FOR CUSTOMER SUPPLIED CONTROL PANELS.
- 3.) THESE PUMPS ARE CSA LISTED FOR PUMPING WATER AND WASTEWATER. **DO NOT USE TO PUMP FLAMMABLE LIQUIDS.** NOT SUITABLE FOR ENVIRONMENTS CONTAINING GASOLINE OR HEXANE.
- 4.) INSTALLATIONS SUCH AS DECORATIVE FOUNTAINS OR WATER FEATURES PROVIDED FOR VISUAL ENJOYMENT MUST BE INSTALLED IN ACCORDANCE WITH THE NATIONAL ELECTRIC CODE ANSI/NFPA 70 AND/OR THE AUTHORITY HAVING JURISDICTION. THIS PUMP IS NOT INTENDED FOR USE IN SWIMMING POOLS, RECREATIONAL WATER PARKS, OR INSTALLATIONS IN WHICH HUMAN CONTACT WITH PUMPED MEDIA IS A COMMON OCCURRENCE.
- 5.) A **NON-SPARKING** BREAKAWAY FITTING MUST BE USED TO VALIDATE THE EXPLOSION PROOF LISTING.
- 6.) WINDING RESISTANCE ± 7.5%. WINDING RESISTANCE MEASURED IN OHMS @ 25°C (BETWEEN LINES) AT MOTOR LEADS.
- 7.) PUMP RATED FOR OPERATION AT ± 10% VOLTAGE AT MOTOR.
- 8.) CORD SUFFIX: XF - 50 FEET, XJ - 75 FEET, OR XL - 100 FEET. CORD SOLD SEPARATELY.
- 9.) ALL EXPLOSION PROOF PUMPS AND MOTORS ARE CSA EXPLOSION-PROOF TO CLASS I DIVISION 1 GROUPS C&D T4 RATING

Size 6D (Dual Vane)

7366*-618

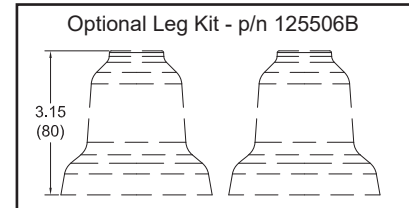
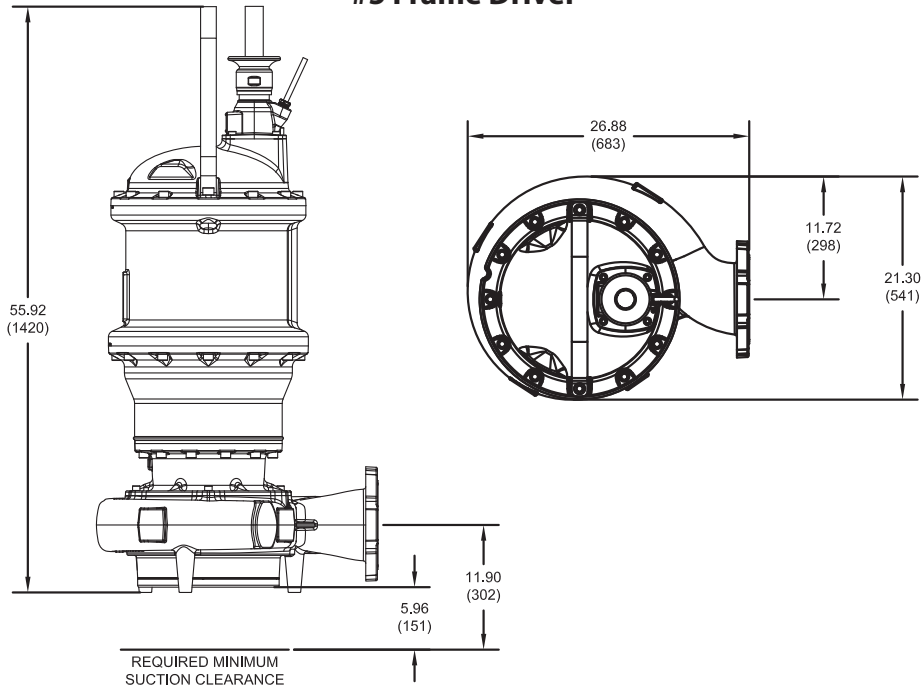
DEMING®

www.cranepumps.com

Demersible Chopper Pumps

#5 Frame Driver

inches
(mm)



Model No.	Imp. Dia. inches (mm)	HP	Volt	PH	Hz	RPM	NEMA Start Code	Full Load Amps	S.F.	S.F. Amps	Locked Rotor Amps	Cord P/N ▲	Cord Size
7366*-618-67-32N	13.19 (335)	75	460	3	60	1750	G	108.4	1.15	120.7	578.0	138319	2/4 - 18/4
7366*-618-82-32N	13.19 (335)	75	575	3	60	1750	G	86.7	1.15	96.6	462.4	138319	2/4 - 18/4
7366*-618-68-32N	14.37 (365)	100	460	3	60	1750	E	136.6	1.15	155.3	578.0	138319	2/4 - 18/4
7366*-618-83-32N	14.37 (365)	100	575	3	60	1750	E	109.2	1.15	124.2	462.4	138319	2/4 - 18/4
7366*-618-69-32N	14.57 (370)	125	460	3	60	1750	F	169.4	1.15	191.5	800.0	138320	1/0/4 - 18/4
7366*-618-84-32N	14.57 (370)	125	575	3	60	1750	F	135.6	1.15	153.2	640.0	138319	2/4 - 18/4

* FOR NON-EXPLOSION PROOF (STANDARD) MODELS, USE FIGURE NUMBER 7366N.

▲ CORD SOLD SEPARATELY.

IMPORTANT !

- 1.) MOISTURE AND TEMPERATURE SENSORS **MUST** BE CONNECTED TO VALIDATE THE CSA LISTING.
- 2.) A SPECIAL MOISTURE SENSOR RELAY IS REQUIRED IN THE CONTROL PANEL FOR PROPER OPERATION OF THE MOISTURE SENSORS. CONTACT CP&S FOR INFORMATION CONCERNING MOISTURE SENSING RELAYS FOR CUSTOMER SUPPLIED CONTROL PANELS.
- 3.) THESE PUMPS ARE CSA LISTED FOR PUMPING WATER AND WASTEWATER. **DO NOT USE TO PUMP FLAMMABLE LIQUIDS.** NOT SUITABLE FOR ENVIRONMENTS CONTAINING GASOLINE OR HEXANE.
- 4.) INSTALLATIONS SUCH AS DECORATIVE FOUNTAINS OR WATER FEATURES PROVIDED FOR VISUAL ENJOYMENT MUST BE INSTALLED IN ACCORDANCE WITH THE NATIONAL ELECTRIC CODE ANSI/NFPA 70 AND/OR THE AUTHORITY HAVING JURISDICTION. THIS PUMP IS NOT INTENDED FOR USE IN SWIMMING POOLS, RECREATIONAL WATER PARKS, OR INSTALLATIONS IN WHICH HUMAN CONTACT WITH PUMPED MEDIA IS A COMMON OCCURRENCE.
- 5.) A **NON-SPARKING** BREAKAWAY FITTING MUST BE USED TO VALIDATE THE EXPLOSION PROOF LISTING.
- 6.) WINDING RESISTANCE \pm 7.5%. WINDING RESISTANCE MEASURED IN OHMS @ 25°C (BETWEEN LINES) AT MOTOR LEADS.
- 7.) PUMP RATED FOR OPERATION AT \pm 10% VOLTAGE AT MOTOR.
- 8.) CORD SUFFIX: XF - 50 FEET, XJ - 75 FEET, OR XL - 100 FEET. CORD SOLD SEPARATELY.
- 9.) ALL EXPLOSION PROOF PUMPS AND MOTORS ARE CSA EXPLOSION-PROOF TO CLASS I DIVISION 1 GROUPS C&D T4 RATING

SECTION 42B
PAGE 50
DATE 2/20

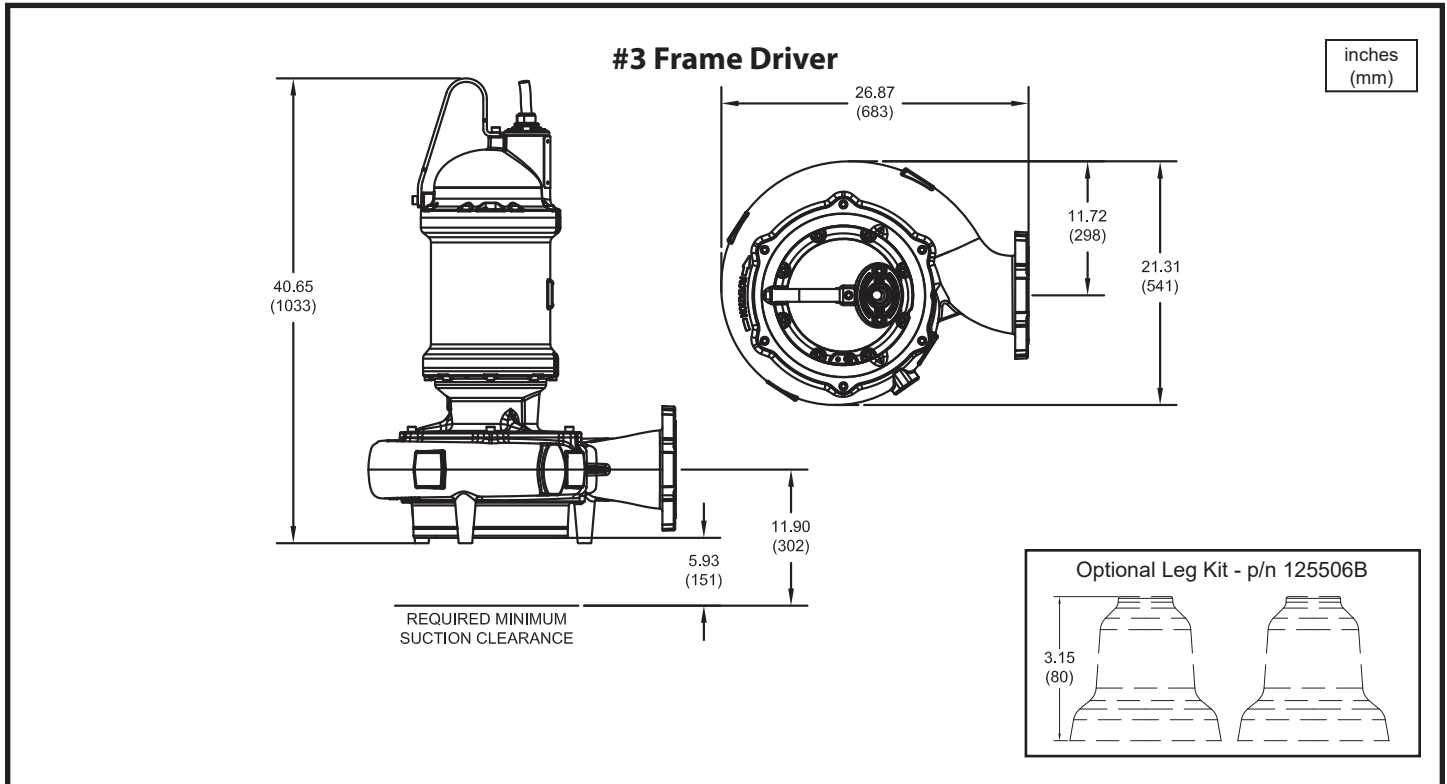
CRANE
®

PUMPS & SYSTEMS

A Crane Co. Company

USA: (937) 778-8947 • Canada: (905) 457-6223 • International: (937) 615-3598

Demersible Chopper Pumps



Model No.	Imp. Dia. inches (mm)	HP	Volt	PH	Hz	RPM	NEMA Start Code	Full Load Amps	S.F.	S.F. Amps	Locked Rotor Amps	Cord P/N ▲	Cord Size
7366*-622-1H-32N	9.25 (235)	7.5	208	3	60	1150	J	24.9	1.2	29.6	137.6	125496	12/4 - 18/4
			230					27.6					
			460					13.8					
7366*-622-73-32N	9.25 (235)	7.5	575	3	60	1150	J	9.6	1.2	11.0	55.0	125497	12/4 - 18/4
7366*-622-1J-32N	9.84 (250)	10	208	3	60	1150	F	32.9	1.2	41.0	137.6	125498	8/4 - 18/4
			230					35.8					
			460					17.9					
7366*-622-74-32N	9.84 (250)	10	575	3	60	1150	F	12.1	1.2	14.3	55.0	125497	12/4 - 18/4
7366*-622-1K-32N	11.42 (290)	15	208	3	60	1150	H	47.0	1.2	56.8	248.6	125498	8/4 - 18/4
			230					51.4					
			460					25.7					
7366*-622-75-32N	11.42 (290)	15	575	3	60	1150	H	17.6	1.2	20.6	99.4	125497	12/4 - 18/4
7366*-622-61-32N	12.80 (325)	20	460	3	60	1150	E	28.6	1.2	34.9	124.3	125499	8/4 - 18/4
7366*-622-76-32N	12.80 (325)	20	575	3	60	1150	E	22.9	1.2	27.9	99.4	125497	12/4 - 18/4

* FOR NON-EXPLOSION PROOF (STANDARD) MODELS, USE FIGURE NUMBER 7366N.

▲ CORD SOLD SEPARATELY.

IMPORTANT !

- 1.) MOISTURE AND TEMPERATURE SENSORS **MUST** BE CONNECTED TO VALIDATE THE CSA LISTING.
- 2.) A SPECIAL MOISTURE SENSOR RELAY IS REQUIRED IN THE CONTROL PANEL FOR PROPER OPERATION OF THE MOISTURE SENSORS. CONTACT CP&S FOR INFORMATION CONCERNING MOISTURE SENSING RELAYS FOR CUSTOMER SUPPLIED CONTROL PANELS.
- 3.) THESE PUMPS ARE CSA LISTED FOR PUMPING WATER AND WASTEWATER. **DO NOT USE TO PUMP FLAMMABLE LIQUIDS.** NOT SUITABLE FOR ENVIRONMENTS CONTAINING GASOLINE OR HEXANE.
- 4.) INSTALLATIONS SUCH AS DECORATIVE FOUNTAINS OR WATER FEATURES PROVIDED FOR VISUAL ENJOYMENT MUST BE INSTALLED IN ACCORDANCE WITH THE NATIONAL ELECTRIC CODE ANSI/NFPA 70 AND/OR THE AUTHORITY HAVING JURISDICTION. THIS PUMP IS NOT INTENDED FOR USE IN SWIMMING POOLS, RECREATIONAL WATER PARKS, OR INSTALLATIONS IN WHICH HUMAN CONTACT WITH PUMPED MEDIA IS A COMMON OCCURRENCE.
- 5.) A **NON-SPARKING** BREAKAWAY FITTING MUST BE USED TO VALIDATE THE EXPLOSION PROOF LISTING.
- 6.) WINDING RESISTANCE ± 7.5%. WINDING RESISTANCE MEASURED IN OHMS @ 25°C (BETWEEN LINES) AT MOTOR LEADS.
- 7.) PUMP RATED FOR OPERATION AT ± 10% VOLTAGE AT MOTOR.
- 8.) CORD SUFFIX: XF - 50 FEET, XJ - 75 FEET, OR XL - 100 FEET. CORD SOLD SEPARATELY.
- 9.) ALL EXPLOSION PROOF PUMPS AND MOTORS ARE CSA EXPLOSION-PROOF TO CLASS I DIVISION 1 GROUPS C&D T4 RATING

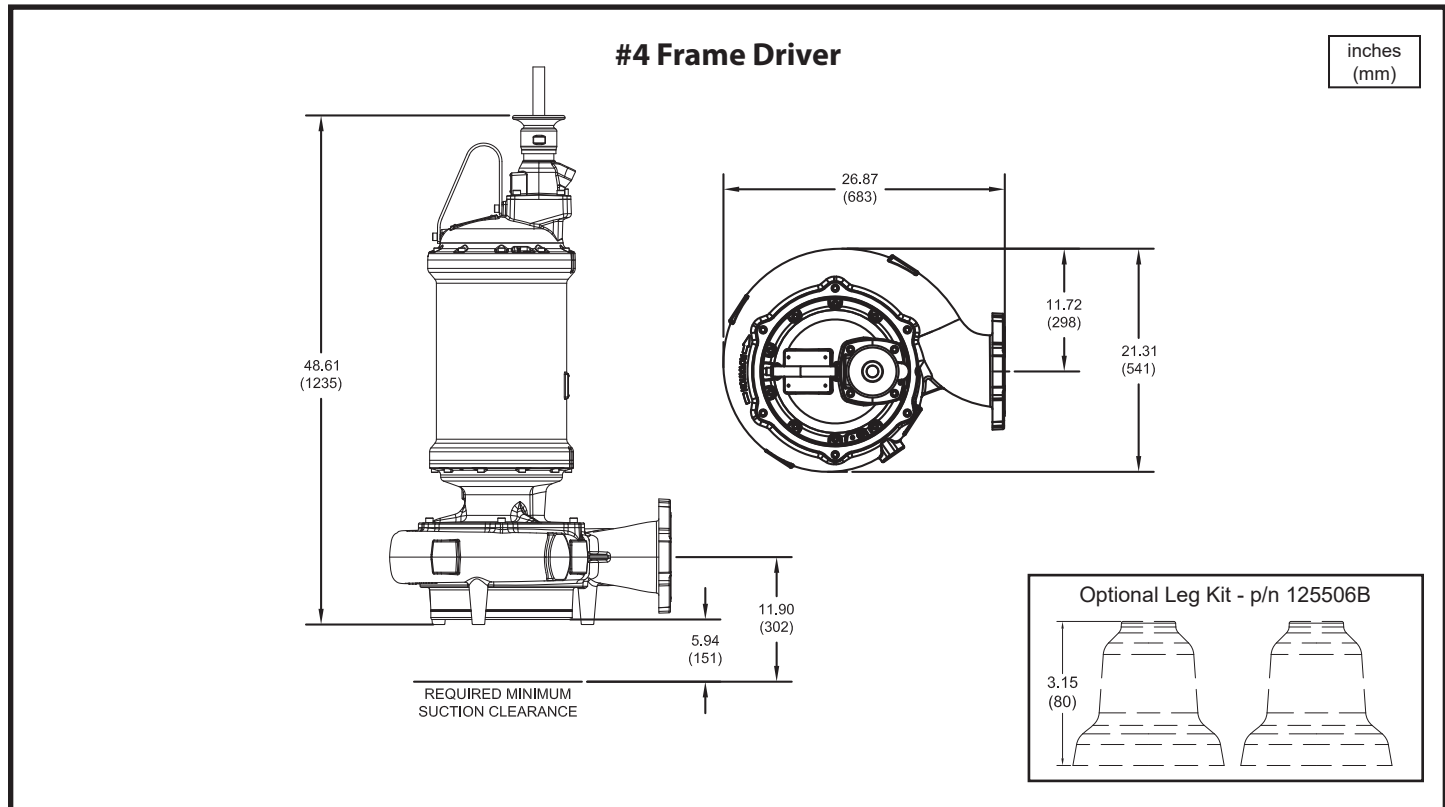
Size 6D (Dual Vane)

7366*-622

DEMING®

www.cranepumps.com

Demersible Chopper Pumps



Model No.	Imp. Dia. inches (mm)	HP	Volt	PH	Hz	RPM	NEMA Start Code	Full Load Amps	S.F.	S.F. Amps	Locked Rotor Amps	Cord P/N ▲	Cord Size
7366*-622-31-32N	12.80 (325)	20	208	3	60	1150	H	60.3	1.2	71.5	354.0	138318	6/4 - 18/4
			230					69.8		138318		6/4 - 18/4	
7366*-622-32-32N	13.58 (345)	25	208	3	60	1150	G	75.2	1.2	90.8	354.0	138319	2/4 - 18/4
			230					70.8		82.6		138319	2/4 - 18/4
7366*-622-92-32N	13.58 (345)	25	460	3	60	1150	G	35.4	1.2	41.3	177.0	138317	8/4 - 18/4
7366*-622-1B-32N	13.58 (345)	25	575	3	60	1150	G	28.3	1.2	33.0	141.6	138317	8/4 - 18/4
7366*-622-33-32N	14.17 (360)	30	208	3	60	1150	E	90.8	1.2	114.9	354.0	138319	2/4 - 18/4
			230					82.6		99.7		138319	2/4 - 18/4
7366*-622-93-32N	14.17 (360)	30	460	3	60	1150	E	41.3	1.2	49.9	177.0	138317	8/4 - 18/4
7366*-622-1C-32N	14.17 (360)	30	575	3	60	1150	E	33.0	1.2	39.9	141.6	138317	8/4 - 18/4
7366*-622-49-32N	14.57 (370)	40	230	3	60	1150	E	110.4	1.2	131.8	476.0	138319	2/4 - 18/4
7366*-622-64-32N	14.57 (370)	40	460	3	60	1150	E	55.2	1.2	65.9	238.0	138318	6/4 - 18/4
7366*-622-79-32N	14.57 (370)	40	575	3	60	1150	E	44.2	1.2	52.7	190.4	138317	8/4 - 18/4

* FOR NON-EXPLOSION PROOF (STANDARD) MODELS, USE FIGURE NUMBER 7366N.

▲ CORD SOLD SEPARATELY.

IMPORTANT !

- 1.) MOISTURE AND TEMPERATURE SENSORS **MUST** BE CONNECTED TO VALIDATE THE CSA LISTING.
- 2.) A SPECIAL MOISTURE SENSOR RELAY IS REQUIRED IN THE CONTROL PANEL FOR PROPER OPERATION OF THE MOISTURE SENSORS. CONTACT CP&S FOR INFORMATION CONCERNING MOISTURE SENSING RELAYS FOR CUSTOMER SUPPLIED CONTROL PANELS.
- 3.) THESE PUMPS ARE CSA LISTED FOR PUMPING WATER AND WASTEWATER. **DO NOT USE TO PUMP FLAMMABLE LIQUIDS.** NOT SUITABLE FOR ENVIRONMENTS CONTAINING GASOLINE OR HEXANE.
- 4.) INSTALLATIONS SUCH AS DECORATIVE FOUNTAINS OR WATER FEATURES PROVIDED FOR VISUAL ENJOYMENT MUST BE INSTALLED IN ACCORDANCE WITH THE NATIONAL ELECTRIC CODE ANSI/NFPA 70 AND/OR THE AUTHORITY HAVING JURISDICTION. THIS PUMP IS NOT INTENDED FOR USE IN SWIMMING POOLS, RECREATIONAL WATER PARKS, OR INSTALLATIONS IN WHICH HUMAN CONTACT WITH PUMPED MEDIA IS A COMMON OCCURRENCE.
- 5.) A **NON-SPARKING** BREAKAWAY FITTING MUST BE USED TO VALIDATE THE EXPLOSION PROOF LISTING.
- 6.) WINDING RESISTANCE ± 7.5%. WINDING RESISTANCE MEASURED IN OHMS @ 25°C (BETWEEN LINES) AT MOTOR LEADS.
- 7.) PUMP RATED FOR OPERATION AT ± 10% VOLTAGE AT MOTOR.
- 8.) CORD SUFFIX: XF - 50 FEET, XJ - 75 FEET, OR XL - 100 FEET. CORD SOLD SEPARATELY.
- 9.) ALL EXPLOSION PROOF PUMPS AND MOTORS ARE CSA EXPLOSION-PROOF TO CLASS I DIVISION 1 GROUPS C&D T4 RATING

SECTION 42B
PAGE 52
DATE 2/20

CRANE
A Crane Co. Company

PUMPS & SYSTEMS

USA: (937) 778-8947 • Canada: (905) 457-6223 • International: (937) 615-3598