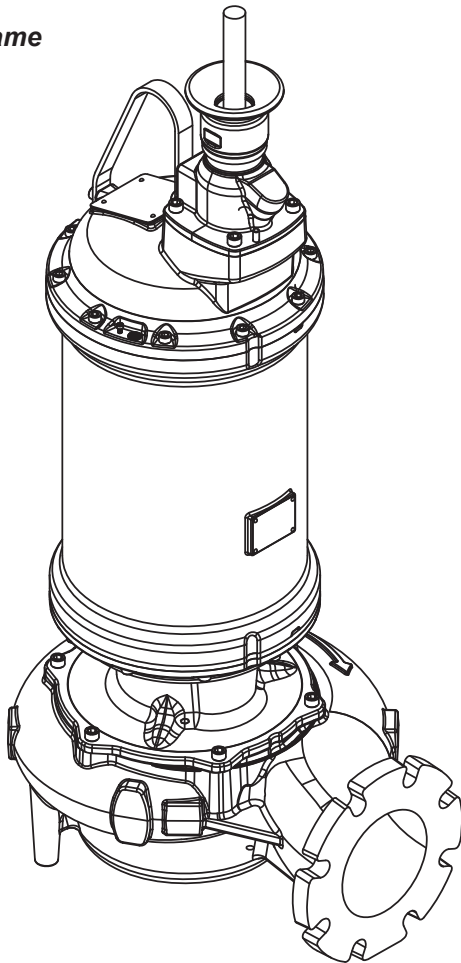


# DEMING®

## INSTALLATION and OPERATION MANUAL Demersible Chopper Pump

#4 Frame



**4MM**  
Monovane Pumps  
20 - 40HP, 1750RPM

**4MB**  
Monovane Pumps  
20 - 40HP, 1750RPM

**4MH**  
Monovane Pumps  
30 - 50HP, 1750RPM  
20HP, 1150RPM

**4MHA**  
Monovane Pumps  
20 - 25HP, 1150RPM

**4DH**  
Dual Vane Pumps  
20 - 50HP, 1750RPM  
20 - 30HP, 1150RPM

**6ML**  
Monovane Pumps  
20 - 30HP, 1750RPM

**6MM**  
Monovane Pumps  
30 - 50HP, 1750RPM  
20HP, 1150RPM

**6MH**  
Monovane Pumps  
50 - 60HP, 1750RPM  
20 - 30HP, 1150RPM

**6DL**  
Dual Vane Pumps  
20 - 30HP, 1750RPM

**6D**  
Dual Vane Pumps  
25 - 60HP, 1750RPM  
20 - 30HP, 1150RPM

**8D**  
Dual Vane Pumps  
20 - 60HP, 1750RPM  
20 - 40HP, 1150RPM  
10 - 15HP, 870RPM

**8T**  
Tri-Vane Pumps  
20 - 60HP, 1750RPM  
20 - 40HP, 1150RPM  
10 - 30HP, 870RPM

**10DH**  
Dual Vane Pumps  
25 - 40HP, 1150RPM  
10 - 25HP, 870RPM

**10DL**  
Dual Vane Pumps  
40HP, 1150RPM  
15 - 30HP, 870RPM

This product may be covered by one or more of the following patents and other patent(s) pending:  
NZ DSN NO. 424412, NZ DSN NO. 424413, AUS DSN NO. 201812608, AUS DSN NO. 201812609, EU Design Reg. 005293040-0001

### IMPORTANT!

*Read all instructions in this manual before operating pump.  
As a result of Crane Pumps & Systems, Inc., constant product improvement program,  
product changes may occur. As such Crane Pumps & Systems reserves the right to  
change product without prior written notification.*

**CRANE**

A Crane Co. Company

PUMPS & SYSTEMS

420 Third Street  
Piqua, Ohio 45356  
Phone: (937) 778-8947  
Fax: (937) 773-7157  
www.cranepumps.com

83 West Drive, Brampton  
Ontario, Canada L6T 2J6  
Phone: (905) 457-6223  
Fax: (905) 457-2650

P.O. Box 174515  
Jebel Ali, Dubai UAE  
Phone: (971) 4-886-4949  
Fax: (971) 4-886-4950

 **HYDRAULIC  
INSTITUTE**  
PROUD MEMBER

 **MEMBER**

Form No. 142695S-Rev. J

# TABLE OF CONTENTS

	SAFETY FIRST .....	3
A.	GENERAL INFORMATION .....	4
B.	INSTALLATION .....	4 - 18
	ELECTRICAL DATA .....	6 - 18
C.	START-UP OPERATION .....	18 - 19
D.	PREVENTATIVE MAINTENANCE .....	19
E.	SERVICE and REPAIR .....	19 - 20
F.	REPLACEMENT PARTS.....	21
	TROUBLE SHOOTING .....	22
	CROSS SECTION (Fig. 9) and EXPLODED VIEW (Fig. 10).....	23 - 24
	PARTS LISTS .....	25 - 50
	WARRANTY .....	53
	RETURNED GOODS POLICY.....	54
	WARRANTY REGISTRATION .....	54
	START-UP REPORT .....	55 - 56

# SAFETY FIRST!

Please Read This Before Installing Or Operating Pump.  
This information is provided for **SAFETY and to PREVENT EQUIPMENT PROBLEMS**. To help recognize this information, observe the following symbols:



**IMPORTANT!** Warns about hazards that can result in personal injury or Indicates factors concerned with assembly, installation, operation, or maintenance which could result in damage to the machine or equipment if ignored.

**CAUTION !** Warns about hazards that can or will cause minor personal injury or property damage if ignored. Used with symbols below.

**WARNING !** Warns about hazards that can or will cause serious personal injury, death, or major property damage if ignored. Used with symbols below.



Hazardous fluids can cause fire or explosions, burns or death could result.



Extremely hot - Severe burnes can occur on contact.



Biohazard can cause serious personal injury.



Hazardous fluids can Hazardous pressure, eruptions or explosions could cause personal injury or property damage.



Rotating machinery Amputation or severe laceration can result.



Hazardous voltage can shock, burn or cause death.

Only qualified personnel should install, operate and repair pump. Any wiring of pumps should be performed by a qualified electrician.



**WARNING !** - To reduce risk of electrical shock, pumps and control panels must be properly grounded in accordance with the National Electric Code (NEC) or the Canadian Electrical Code (CEC) and all applicable state, province, local codes and ordinances.

**WARNING!** - To reduce risk of electrical shock, always disconnect the pump from the power source before handling or servicing. Lock out power and tag.



**WARNING!** Operation against a closed discharge valve will cause premature bearing and seal failure on any pump, and on end suction and

self priming pump the heat build may cause the generation of steam with resulting dangerous pressures. It is recommended that a high case temperature switch or pressure relief valve be installed on the pump body.



**CAUTION!** Pumps build up heat and pressure during operation-allow time for pumps to cool before handling or servicing.



**WARNING!** - **DO NOT** pump hazardous materials (flammable, caustic, etc.) unless the pump is specifically designed and designated to handle them.



Do not block or restrict discharge hose, as discharge hose may whip under pressure.



**WARNING!** - **DO NOT** wear loose clothing that may become entangled in the impeller or other moving parts.

**WARNING!** - Keep clear of suction and discharge openings. **DO NOT** insert fingers in pump with power connected.



Always wear eye protection when working on pumps.



Make sure lifting handles are securely fastened each time before lifting. **DO NOT** operate pump without safety devices in place. Always replace safety devices that have been removed during service or repair. Secure the pump in its operating position so it can not tip over, fall or slide.

**DO NOT** exceed manufacturers recommendation for maximum performance, as this could cause the motor to overheat.

**DO NOT** remove cord and strain relief. Do not connect conduit to pump.



**WARNING!** Cable should be protected at all times to avoid punctures, cut, bruises and abrasions - inspect frequently. Never handle connected power cords with wet hands.

**WARNING!** To reduce risk of electrical shock, all wiring and junction connections should be made per the NEC or CEC and applicable state or province and local codes. Requirements may vary depending on usage and location.

**WARNING!** Submersible Pumps are not approved for use in swimming pools, recreational water installations, decorative fountains or any installation where human contact with the pumped fluid is common.



**WARNING!** Products Returned Must Be Cleaned, Sanitized, Or Decontaminated As Necessary Prior To Shipment, To Insure That Employees Will Not Be Exposed To Health Hazards In Handling Said Material. All Applicable Laws And Regulations Shall Apply.

Bronze/brass and bronze/brass fitted pumps may contain lead levels higher than considered safe for potable water systems. Lead is known to cause cancer and birth defects or other reproductive harm. Various government agencies have determined that leaded copper alloys should not be used in potable water applications. For non-leaded copper alloy materials of construction, please contact factory.



**IMPORTANT!** - Crane Pumps & Systems, Inc. is not responsible for losses, injury, or death resulting from a failure to observe these safety precautions, misuse or abuse of pumps or equipment.

## SECTION A: GENERAL INFORMATION

### A-1) To the Purchaser:

Congratulations! You are the owner of one of the finest pumps on the market today. CP&S pumps are products engineered and manufactured of high quality components. Over one hundred years of pump building experience along with a continuing quality assurance program combine to produce a pump which will stand up to the toughest applications. This manual will provide helpful information concerning installation, maintenance, and proper service guidelines.

### A-2) Receiving:

Upon receiving the pump, it should be inspected for damage or shortages. If damage has occurred, file a claim immediately with the company that delivered the pump. **MAKE CERTAIN TO RETAIN THIS MANUAL!**

### A-3) Storage:

**Short Term-** CP&S Pumps are manufactured for efficient performance following short inoperative periods in storage. For best results, pumps can be retained in storage, as factory assembled, in a dry atmosphere with constant temperatures for up to six (6) months.

**Long Term** - Any length of time exceeding six (6) months, but not more than twenty-four (24) months. The unit should be stored in a temperature controlled area, a roofed over walled enclosure that provides protection from the elements (rain, snow, wind-blown dust, etc.), and whose temperature can be maintained between +40 deg. F and +120 deg. F. (4.4 - 49°C). Pump should be stored in its original shipping container. On initial start up, rotate impeller by hand to assure seal and impeller rotate freely. If it is required that the pump be installed and tested before the long term storage begins, such installation will be allowed provided:

- 1.) The pump is not installed under water for more than one (1) month.
- 2.) Immediately upon satisfactory completion of the test, the pump is removed, thoroughly dried, repacked in the original shipping container, and placed in a temperature controlled storage area.

### A-4) Service Centers:

For the location of the nearest Deming Service Center, contact Crane Pumps & Systems, Inc., Service Department in Piqua, Ohio, telephone (937) 778-8947 or Crane Pumps & Systems Canada, in Brampton, Ontario, (905) 457-6223.

## SECTION B: INSTALLATION

### B-1) Location:

These self-contained pumping units are recommended for use in a sump, lift station or basin. This pump is designed for submerged continuous duty (15 minutes duty in air at nameplate horsepower), pumping sewage, effluent, wastewater or other nonexplosive or noncorrosive liquids not above 104°F (40°C). Never install the pump in a trench, ditch or hole with a dirt bottom; the legs will sink into the dirt and the suction will become plugged.

### B-1.1) Submergence:

It is recommended that the pump be operated at the minimum continuous duty submerged condition (See Fig. 1). The time required to draw the well down from top of motor to the minimum submergence level should not be greater than 15 minutes. **NOTE:** Outer shaft seal must be in liquid when motor is operated, whether motor is submerged or in air.

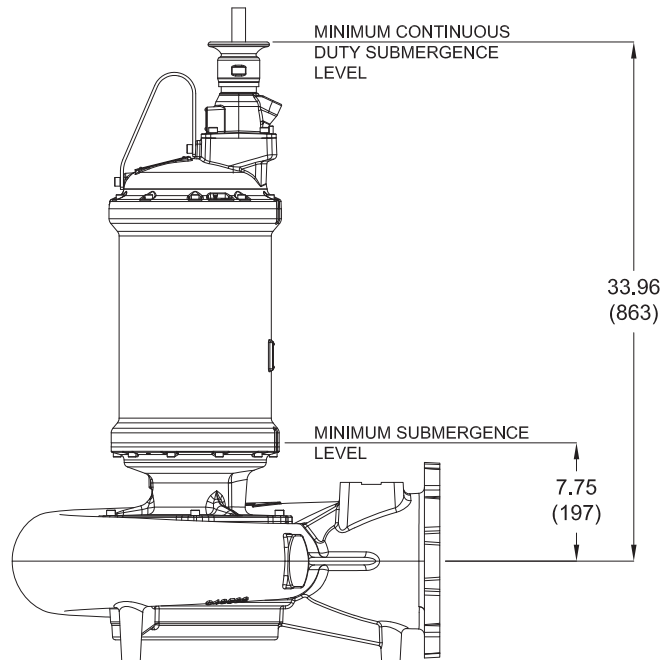


FIGURE 1

### B-2) Discharge:

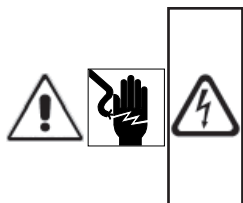
Discharge piping should be as short as possible. Both a check valve and a shut-off valve are recommended for each pump being used. The check valve is used to prevent backflow into the sump. Excessive backflow can cause flooding and/or damage to the pump. The shut-off valve is used to stop system flow during pump or check valve servicing.

Crane Pumps & Systems manufactures a break away fitting discharge system designed to allow the submersible wastewater pump to be installed or removed without requiring personnel to enter the wet well. Place the Break Away Fitting (BAF) in position. Temporarily secure the guide rails in the upper mounting brackets and locate the base elbow on the bottom of the wet well. Level the base elbow with grout and/or shims. Install the intermediate support brackets, if required. Make sure the rails are in a true vertical position so the pump will clear the access opening and will slide freely down the rails into place on the discharge base elbow. Once the rails are in proper alignment, bolt the base elbow into the floor of the station and connect the discharge pipe to the elbow. Connect the movable portion and other supplied fittings of the BAF onto the pump and lower into wet well. See the Break Away Fitting manual for more information.

**B-3) Liquid Level Controls:**

It is recommended to use a liquid level control system that allows the on and off point to be separated by at least twelve inches. An additional set point (lag point) should be incorporated with an alternator switching system for a duplex (two pump) station. A high level alarm may be required to alert maintenance personnel that there is a high water situation in the wet well should the output of the pump station drop below the inflow rate. A low level cut off may be installed to provide system shutdown if the main level control system malfunctions. The off point should be positioned so that the liquid level never drops below the minimum continuous duty point for the pump shown in Figure 1.

**B-4.1) Electrical Connections:**



**WARNING!** - All model pumps and control panels must be properly grounded per the NATIONAL ELECTRIC CODE or CANADIAN ELECTRIC CODE, State, Province and local codes. Improper grounding voids warranty.

**B-4) Power/Control Cord:**

The cord assembly mounted to the pump must not be modified in any way except for shortening to a specific application. Any splice between the pump and the control panel must be made in accordance with all applicable electric codes. It is recommended that a junction box (if used) be mounted outside the sump or be of at least Nema 6 or 6P construction with NEMA 6 or 6P watertight cord grips if located within the wet well. A water and vapor tight seal fitting **MUST** be used in conduit leaving the wet well to prevent moisture and gases from reaching the control panel. Prior to installation, the pump power cable should be inspected for nicks or damage. If damaged, the cord should be replaced before installation.

Install the cord assembly o-ring onto the cord assembly as shown in Figure 2. Align the hole in the cord assembly with the pin in the motor cap. Lower the cord assembly into the bore of the motor cap taking care to keep the pins aligned. Push the cord assembly into the motor housing until fully engaged. Install the four 12mm socket head cap screws through the cord assembly into the motor cap. Slowly tighten the four screws alternating in a cross pattern until the cord assembly is drawn down flush to the motor cap. The screws should then be torqued to 35 ft. lbs.

**CORD CLAMPING PLATE SHOULD BE DRAWN METAL TO METAL (35 FT/LBS BOLT TORQUE). IF A GAP EXISTS CONTINUE TO TIGHTEN BOLTS. DO NOT USE ANY TYPE OF SEALANT OR GREASE ON THE CORD ENTRY.**

**DO NOT USE THE POWER CORD TO LIFT PUMP.**

**NOTE: The White Wire Is Not A Neutral Or Ground Lead. The Black, White And Red Leads Are Power Carrying Conductors. The Green Lead Is For Connection To Ground.**

**B-4.1) Electrical Connections:**

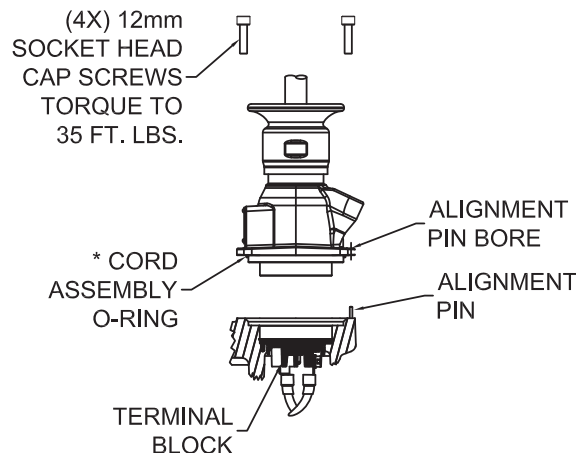
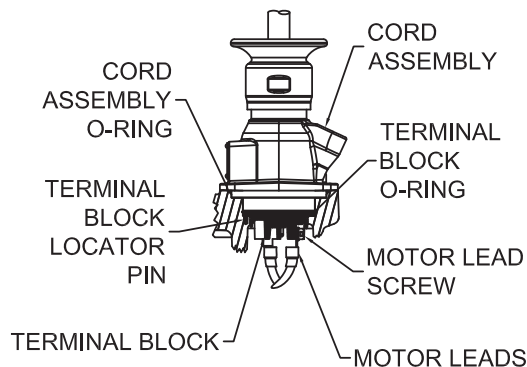
When the electrical connections are made, the lead wires from the power cable should be stripped so that the ground wire is at least two inches longer than the power leads. This will ensure that if the cable is inadvertently pulled out of the connection point, the ground wire will be the last lead to break the circuit.

**B-4.2) Wire Size:**

If additional cable is required consult a qualified electrician for proper wire size. Voltage drop due to wire resistance between the pump and power connection point should be limited to 3% when additional cable is added.

**WARRANTY NOTE:**

**Both the temperature sensor and moisture detection system must be connected to the motor circuitry such that the motor will be de-energized or sound alarm if excessive motor temperatures are reached and/or if water is detected in the seal chamber and/or motor chamber. Failure to have the above mentioned systems installed and operative, nullifies warranty**



\* FAILURE TO INSTALL O-RING VOIDS WARRANTY

**FIGURE 2**

MODEL NO.	SIZE	IMP. DIA. INCHES (MM)	HP	VOLT PH	HZ	RPM	NEMA START CODE	FULL LOAD AMPS	SERVICE FACTOR	SERVICE FACTOR AMPS	LOCKED ROTOR AMPS	DRIVER FRAME	CORD P/N ▲	CORD SIZE	CORD O.D.	WINDING RESISTANCE
7366N-411-16-32N	4MM	10.43 (265)	20	208	3	60	G	63.0	1.2	74.6	323.0	4	138318	6/4 - 18/4	1.14 ± .03	0.098
7366N-411-32-32N	4MM	10.83 (275)	25	208	3	60	G	77.8	1.2	93.4	359.0	4	138319	2/4 - 18/4	1.47 ± .03	0.098
				230				82.3								
7366N-411-33-32N	4MM	11.42 (290)	30	208	3	60	E	93.4	1.2	116.9	359.0	4	138319	2/4 - 18/4	1.47 ± .03	0.098
				230				98.7								
7366N-411-49-32N	4MM	11.61 (295)	40	230	3	60	E	106	1.2	126.4	486.0	4	138319	2/4 - 18/4	1.47 ± .03	.063
7366N-411-64-32N	4MM	11.61 (295)	40	460	3	60	E	53.0	1.2	63.2	243.0	4	138318	6/4 - 18/4	1.14 ± .03	.248
7366N-411-79-32N	4MM	11.61 (295)	40	575	3	60	E	42.4	1.2	50.6	194.4	4	138317	8/4 - 18/4	1.12 ± .02	.382
7366N-466-16-30N	4MB	9.84 (250)	20	208	3	60	G	63.0	1.2	74.6	323.0	4	138318	6/4 - 18/4	1.14 ± .03	0.88 - 2.14
7366N-466-32-30N	4MB	10.24 (260)	25	208	3	60	G	77.8	1.2	93.4	359.0	4	138319	2/4 - 18/4	1.47 ± .03	0.098
				230				82.3								
7366N-466-33-30N	4MB	10.83 (275)	30	208	3	60	E	93.4	1.2	116.9	359.0	4	138319	2/4 - 18/4	1.47 ± .03	0.098
				230				98.7								
7366N-466-49-30N	4MB	12.40 (315)	40	230	3	60	E	106.0	1.2	126.4	486.0	4	138319	2/4 - 18/4	1.47 ± .03	0.063
7366N-466-64-30N	4MB	12.40 (315)	40	460	3	60	E	53.0	1.2	63.2	243.0	4	138318	6/4 - 18/4	1.14 ± .03	0.248
7366N-466-79-30N	4MB	12.40 (315)	40	575	3	60	E	42.4	1.2	50.6	194.4	28	138318	6/4 - 18/4	1.14 ± .03	0.248
7366N-412-33-32N	4MH	11.42 (290)	30	208	3	60	E	93.4	1.2	116.9	359.0	4	138319	2/4 - 18/4	1.47 ± .03	0.098
				230				98.7								
7366N-412-49-32N	4MH	13.00 (330)	40	230	3	60	E	106.0	1.2	126.4	486.0	4	138319	2/4 - 18/4	1.47 ± .03	.063
				460				63.2								
7366N-412-64-32N	4MH	13.00 (330)	40	460	3	60	E	53.0	1.2	50.6	243.0	4	138318	6/4 - 18/4	1.14 ± .03	.248
				575				63.2								
7366N-412-79-32N	4MH	13.00 (330)	40	575	3	60	E	42.4	1.2	79.0	339.0	4	138317	8/4 - 18/4	1.12 ± .02	.382
				460				79.0								
7366N-412-65-32N	4MH	13.98 (355)	50	460	3	60	F	67.1	1.2	63.2	271.2	4	138318	6/4 - 18/4	1.14 ± .03	.15
				575				63.2								
7366N-412-80-32N	4MH	13.98 (355)	50	575	3	60	F	53.7	1.2	63.2	271.2	4	138318	6/4 - 18/4	1.14 ± .03	.245
				575				63.2								
7366N-447-31-32N	4MH	14.57 (370)	20	208	3	60	H	60.3	1.2	71.5	354.0	4	138318	6/4 - 18/4	1.14 ± .03	.1117
				230				69.8								

▲ CORD SOLD SEPARATELY.

**IMPORTANT !**

- 1.) MOISTURE AND TEMPERATURE SENSORS **MUST** BE CONNECTED TO VALIDATE THE CSA LISTING.
- 2.) A SPECIAL MOISTURE SENSOR RELAY IS REQUIRED IN THE CONTROL PANEL FOR PROPER OPERATION OF THE MOISTURE SENSORS. CONTACT CP&S FOR INFORMATION CONCERNING MOISTURE SENSING RELAYS FOR CUSTOMER SUPPLIED CONTROL PANELS.
- 3.) THESE PUMPS ARE CSA LISTED FOR PUMPING WATER AND WASTEWATER. **DO NOT USE TO PUMP FLAMMABLE LIQUIDS.** NOT SUITABLE FOR ENVIRONMENTS CONTAINING GASOLINE OR HEXANE.
- 4.) INSTALLATIONS SUCH AS DECORATIVE FOUNTAINS OR WATER FEATURES PROVIDED FOR VISUAL ENJOYMENT MUST BE INSTALLED IN ACCORDANCE WITH THE NATIONAL ELECTRIC CODE ANS/NFPA 70 AND/OR THE AUTHORITY HAVING JURISDICTION. THIS PUMP IS NOT INTENDED FOR USE IN SWIMMING POOLS; RECREATIONAL WATER PARKS, OR INSTALLATIONS IN WHICH HUMAN CONTACT WITH PUMPED MEDIA IS A COMMON OCCURRENCE.
- 5.) WINDING RESISTANCE ± 7.5%. WINDING RESISTANCE MEASURED IN OHMS @ 25°C (BETWEEN LINES) AT MOTOR LEADS.
- 6.) PUMP RATED FOR OPERATION AT ± 10% VOLTAGE AT MOTOR.
- 7.) CORD SUFFIX: XF - 50 FEET, XJ - 75 FEET, OR XL - 100 FEET. CORD SOLD SEPARATELY.

CHART 'A'



MODEL NO.	SIZE	IMP. DIA. INCHES (MM)	HP	VOLT	PH	HZ	RPM	NEMA START CODE	FULL LOAD AMPS	SERVICE FACTOR	SERVICE FACTOR AMPS	LOCKED ROTOR AMPS	DRIVER FRAME	CORD P/N ^	CORD SIZE	CORD O.D.	WINDING RESISTANCE
7366N-437-31-32N	4MHA	14.17 (360)	20	208	3	60	1150	H	60.3	1.2	71.5	354.0	4	138318	6/4 - 18/4	1.14 ± .03	0.1117
				230					69.8								
7366N-437-32-32N	4MHA	14.57 (370)	25	208	3	60	1150	G	75.2	1.2	90.8	354.0	4	138319	2/4 - 18/4	1.47 ± .03	0.1117
				230					82.6								
7366N-437-92-32N	4MHA	14.57 (370)	25	460	3	60	1150	G	35.4	1.2	41.3	177.0	4	138317	8/4 - 18/4	1.12 ± .02	0.4397
7366N-437-1B-32N	4MHA	14.57 (370)	25	575	3	60	1150	G	28.3	1.2	33.0	141.6	4	138317	8/4 - 18/4	1.12 ± .02	0.6857
7366N-414-16-32N	4DH	9.25 (235)	20	208	3	60	1750	G	63.0	1.2	74.6	323.0	4	138318	6/4 - 18/4	1.14 ± .03	0.098
7366N-414-32-32N	4DH	9.84 (250)	25	208	3	60	1750	G	77.8	1.2	93.4	359.0	4	138319	2/4 - 18/4	1.47 ± .03	0.098
				230					82.3								
7366N-414-33-32N	4DH	10.43 (265)	30	208	3	60	1750	E	93.4	1.2	116.9	359.0	4	138319	2/4 - 18/4	1.47 ± .03	0.098
				230					98.7								
7366N-414-49-32N	4DH	11.42 (290)	40	230	3	60	1750	E	106.0	1.2	126.4	486.0	4	138319	2/4 - 18/4	1.47 ± .03	.063
7366N-414-64-32N	4DH	11.42 (290)	40	460	3	60	1750	E	53.0	1.2	63.2	243.0	4	138318	6/4 - 18/4	1.14 ± .03	.248
7366N-414-79-32N	4DH	11.42 (290)	40	575	3	60	1750	E	42.4	1.2	50.6	194.4	4	138317	8/4 - 18/4	1.12 ± .02t	.382
7366N-414-65-32N	4DH	12.40 (315)	50	460	3	60	1750	F	67.1	1.2	79.0	339.0	4	138318	6/4 - 18/4	1.14 ± .03	.15
7366N-414-80-32N	4DH	12.40 (315)	50	575	3	60	1750	F	53.7	1.2	63.2	271.2	4	138318	6/4 - 18/4	1.14 ± .03	.245
7366N-414-66-32N	4DH	13.19 (335)	60	460	3	60	1750	E	79	1.2	95.5	339	4	138319	2/4 - 18/4	1.47 ± .03	.063
7366N-414-81-32N	4DH	13.19 (335)	60	575	3	60	1750	E	63.2	1.2	76.4	271.2	4	138318	6/4 - 18/4	1.14 ± .03	.248

▲ CORD SOLD SEPARATELY.

**IMPORTANT !**

- 1.) MOISTURE AND TEMPERATURE SENSORS **MUST** BE CONNECTED TO VALIDATE THE CSA LISTING.
- 2.) A SPECIAL MOISTURE SENSOR RELAY IS REQUIRED IN THE CONTROL PANEL FOR PROPER OPERATION OF THE MOISTURE SENSORS. CONTACT CP&S FOR INFORMATION CONCERNING MOISTURE SENSING RELAYS FOR CUSTOMER SUPPLIED CONTROL PANELS.
- 3.) THESE PUMPS ARE CSA LISTED FOR PUMPING WATER AND WASTEWATER. **DO NOT USE TO PUMP FLAMMABLE LIQUIDS.** NOT SUITABLE FOR ENVIRONMENTS CONTAINING GASOLINE OR HEXANE.
- 4.) INSTALLATIONS SUCH AS DECORATIVE FOUNTAINS OR WATER FEATURES PROVIDED FOR VISUAL ENJOYMENT MUST BE INSTALLED IN ACCORDANCE WITH THE NATIONAL ELECTRIC CODE ANSI/NFPA 70 AND/OR THE AUTHORITY HAVING JURISDICTION. THIS PUMP IS NOT INTENDED FOR USE IN SWIMMING POOLS, RECREATIONAL WATER PARKS, OR INSTALLATIONS IN WHICH HUMAN CONTACT WITH PUMPED MEDIA IS A COMMON OCCURRENCE.
- 5.) WINDING RESISTANCE ± 7.5%. WINDING RESISTANCE MEASURED IN OHMS @ 25°C (BETWEEN LINES) AT MOTOR LEADS.
- 6.) PUMP RATED FOR OPERATION AT ± 10% VOLTAGE AT MOTOR.
- 7.) CORD SUFFIX: XF - 50 FEET, XJ - 75 FEET, OR XL - 100 FEET. CORD SOLD SEPARATELY.

CHART 'B'

MODEL NO.	SIZE	IMP. DIA. INCHES (MM)	HP	VOLT	PH	HZ	RPM	NEMA START CODE	FULL LOAD AMPS	SERVICE FACTOR	SERVICE FACTOR AMPS	LOCKED ROTOR AMPS	DRIVER FRAME	CORD P/N A	CORD SIZE	CORD O.D.	WINDING RESISTANCE
7366N-449-31-32N	4DH	13.00 (330)	20	208 230	3	60	1150	H	60.3 57.2	1.2 1.2	71.5 69.8	354.0	4 4	138318 138318	6/4 - 18/4 6/4 - 18/4	1.14 ± .03	.1117
7366N-449-32-32N	4DH	13.78 (350)	25	208 230	3	60	1150	G	75.2 70.8	1.2 1.2	90.8 82.6	354.0	4 4	138319 138319	2/4 - 18/4 2/4 - 18/4	1.47 ± .03	.1117
7366N-449-92-32N	4DH	13.78 (350)	25	460	3	60	1150	G	35.4	1.2	41.3	177.0	4	138317	8/4 - 18/4	1.12 ± .02	.4397
7366N-449-1B-32N	4DH	13.78 (350)	25	575	3	60	1150	G	28.3	1.2	33.0	141.6	4	138317	8/4 - 18/4	1.12 ± .02	.6857
7366N-449-33-32N	4DH	14.17 (360)	30	208 230	3	60	1150	E	90.8 82.6	1.2 1.2	114.9 99.7	354.0	4 4	138319 138319	2/4 - 18/4 2/4 - 18/4	1.47 ± .03	.1117
7366N-449-93-32N	4DH	14.17 (360)	30	460	3	60	1150	E	41.3	1.2	49.9	177.0	4	138317	8/4 - 18/4	1.12 ± .02	.4397
7366N-449-1C-32N	4DH	14.17 (360)	30	575	3	60	1150	E	33.0	1.2	39.9	141.6	4	138317	8/4 - 18/4	1.12 ± .02	.6857
7366N-449-49-32N	4DH	14.57 (370)	40	230	3	60	1150	E	110.4	1.2	131.8	476	4	138319	2/4 - 18/4	1.47 ± .03	.063
7366N-449-64-32N	4DH	14.57 (370)	40	460	3	60	1150	E	55.2	1.2	65.9	238	4	138318	6/4 - 18/4	1.14 ± .03	.248
7366N-449-79-32N	4DH	14.57 (370)	40	575	3	60	1150	E	44.2	1.2	52.7	190.4	4	138317	8/4 - 18/4	1.12 ± .02t	.382
7366N-615-16-32N	6ML	9.25 (235)	20	208	3	60	1750	G	63.0	1.2	74.6	323.0	4	138318	6/4 - 18/4	1.47 ± .03	.098
7366N-615-32-32N	6ML	9.84 (250)	25	208 230	3	60	1750	G	77.8 71.4	1.2 1.2	93.4 82.3	359.0	4 4	138319 138319	2/4 - 18/4 2/4 - 18/4	1.47 ± .03	.098
7366N-615-33-32N	6ML	10.24 (260)	30	208 230	3	60	1750	E	93.4 82.3	1.2 1.2	116.9 98.7	359.0	4 4	138319 138319	2/4 - 18/4 2/4 - 18/4	1.47 ± .03	0.098
7366N-616-33-32N	6MM	10.83 (275)	30	208 230	3	60	1750	E	93.4 82.3	1.2 1.2	116.9 98.7	359.0	4 4	138319 138319	2/4 - 18/4 2/4 - 18/4	1.47 ± .03	.098
7366N-616-49-32N	6MM	11.81 (300)	40	230	3	60	1750	E	106.0	1.2	126.4	486.0	4	138319	2/4 - 18/4	1.47 ± .03	.063
7366N-616-64-32N	6MM	11.81 (300)	40	460	3	60	1750	E	53.0	1.2	63.2	243.0	4	138318	6/4 - 18/4	1.14 ± .03	.248
7366N-616-79-32N	6MM	11.81 (300)	40	575	3	60	1750	E	42.4	1.2	50.6	194.4	4	138317	8/4 - 18/4	1.12 ± .02	.382
7366N-616-65-32N	6MM	12.40 (315)	50	460	3	60	1750	F	67.1	1.2	79.0	339.0	4	138318	6/4 - 18/4	1.14 ± .03	.15
7366N-616-80-32N	6MM	12.40 (315)	50	575	3	60	1750	F	53.7	1.2	63.2	271.2	4	138318	6/4 - 18/4	1.14 ± .03	.245
7366N-620-31-32N	6MM	12.40 (315)	20	208 230	3	60	1150	H	60.3 57.2	1.2 1.2	71.5 69.8	354.0	4 4	138318 138318	6/4 - 18/4 6/4 - 18/4	1.14 ± .03	.1117

▲ CORD SOLD SEPARATELY.

**IMPORTANT !**

- 1.) MOISTURE AND TEMPERATURE SENSORS **MUST** BE CONNECTED TO VALIDATE THE CSA LISTING.
- 2.) A SPECIAL MOISTURE SENSOR RELAY IS REQUIRED IN THE CONTROL PANEL FOR PROPER OPERATION OF THE MOISTURE SENSORS. CONTACT CP&S FOR INFORMATION CONCERNING MOISTURE SENSING RELAYS FOR CUSTOMER SUPPLIED CONTROL PANELS.
- 3.) THESE PUMPS ARE CSA LISTED FOR PUMPING WATER AND WASTEWATER. **DO NOT USE TO PUMP FLAMMABLE LIQUIDS.** NOT SUITABLE FOR ENVIRONMENTS CONTAINING GASOLINE OR HEXANE.
- 4.) INSTALLATIONS SUCH AS DECORATIVE FOUNTAINS OR WATER FEATURES PROVIDED FOR VISUAL ENJOYMENT **MUST** BE INSTALLED IN ACCORDANCE WITH THE NATIONAL ELECTRIC CODE ANSI/NFPA 70 AND/OR THE AUTHORITY HAVING JURISDICTION. THIS PUMP IS NOT INTENDED FOR USE IN SWIMMING POOLS, RECREATIONAL WATER PARKS, OR INSTALLATIONS IN WHICH HUMAN CONTACT WITH PUMPED MEDIA IS A COMMON OCCURRENCE.
- 5.) WINDING RESISTANCE ± 7.5%. WINDING RESISTANCE MEASURED IN OHMS @ 25°C (BETWEEN LINES) AT MOTOR LEADS.
- 6.) PUMP RATED FOR OPERATION AT ± 10% VOLTAGE AT MOTOR.
- 7.) CORD SUFFIX: XF - 50 FEET, XJ - 75 FEET, OR XL - 100 FEET. CORD SOLD SEPARATELY.

**CHART 'C'**



MODEL NO.	SIZE	IMP. DIA. INCHES (MM)	HP	VOLT	PH	HZ	RPM	NEMA START CODE	FULL LOAD AMPS	SERVICE FACTOR	SERVICE FACTOR AMPS	LOCKED ROTOR AMPS	DRIVER FRAME	CORD P/N ▲	CORD SIZE	CORD O.D.	WINDING RESISTANCE
7366N-617-65-32N	6MH	12.80 (325)	50	460	3	60	1750	F	67.1	1.2	79.0	339.0	4	138318	6/4 - 18/4	1.14 ± .03	.15
7366N-617-80-32N	6MH	12.80 (325)	50	575	3	60	1750	F	53.7	1.2	63.2	271.2	4	138318	6/4 - 18/4	1.14 ± .03	.245
7366N-617-66-32N	6MH	13.58 (345)	60	460	3	60	1750	E	79.0	1.2	95.5	339.0	4	138319	2/4 - 18/4	1.47 ± .03	.15
7366N-617-81-32N	6MH	13.58 (345)	60	575	3	60	1750	E	63.2	1.2	76.4	271.2	4	138318	6/4 - 18/4	1.14 ± .03	.245
7366N-621-31-32N	6MH	13.58 (345)	20	208	3	60	1150	H	60.3	1.2	71.5	354.0	4	138318	6/4 - 18/4	1.14 ± .03	.1117
				230					57.2	1.2	69.8		4	138318	6/4 - 18/4		
7366N-621-32-32N	6MH	13.98 (355)	25	208	3	60	1150	G	75.2	1.2	90.8	354.0	4	138319	2/4 - 18/4	1.47 ± .03	.15
				230					70.8	1.2	82.6						
7366N-621-92-32N	6MH	13.98 (355)	25	460	3	60	1150	G	35.4	1.2	41.3	177.0	4	138317	8/4 - 18/4	1.12 ± .02	.4397
7366N-621-1B-32N	6MH	13.98 (355)	25	575	3	60	1150	G	28.3	1.2	33.0	141.6	4	138317	8/4 - 18/4	1.12 ± .02	.6857
7366N-621-33-32N	6MH	14.57 (370)	30	208	3	60	1150	E	90.8	1.2	114.9	354.0	4	138319	2/4 - 18/4	1.47 ± .03	.1117
				230					82.6	1.2	99.7		4	138319	2/4 - 18/4		
7366N-621-93-32N	6MH	14.57 (370)	30	460	3	60	1150	E	41.3	1.2	49.9	177.0	4	138317	8/4 - 18/4	1.12 ± .02	.4397
7366N-621-1C-32N	6MH	14.57 (370)	30	575	3	60	1150	E	33.0	1.2	39.9	141.6	4	138317	8/4 - 18/4	1.12 ± .02	.6857
7366N-663-16-32N	6DL	8.47 (215)	20	208	3	60	1750	G	63.0	1.2	74.6	323.0	4	138318	6/4 - 18/4	1.47 ± .03	.098
				208					77.8	1.2	93.4		4	138319	2/4 - 18/4		
7366N-663-32-32N	6DL	8.66 (220)	25	230	3	60	1750	G	71.4	1.2	82.3	359.0	4	138319	2/4 - 18/4	1.47 ± .03	.098
				208					93.4	1.2	116.9		4	138319	2/4 - 18/4		
7366N-663-33-32N	6DL	8.86 (225)	30	230	3	60	1750	E	82.3	1.2	98.7	359.0	4	138319	2/4 - 18/4	1.47 ± .03	0.098

▲ CORD SOLD SEPARATELY.

**IMPORTANT !**

- 1.) MOISTURE AND TEMPERATURE SENSORS **MUST** BE CONNECTED TO VALIDATE THE CSA LISTING.
- 2.) A SPECIAL MOISTURE SENSOR RELAY IS REQUIRED IN THE CONTROL PANEL FOR PROPER OPERATION OF THE MOISTURE SENSORS. CONTACT CP&S FOR INFORMATION CONCERNING MOISTURE SENSING RELAYS FOR CUSTOMER SUPPLIED CONTROL PANELS.
- 3.) THESE PUMPS ARE CSA LISTED FOR PUMPING WATER AND WASTEWATER. **DO NOT USE TO PUMP FLAMMABLE LIQUIDS.** NOT SUITABLE FOR ENVIRONMENTS CONTAINING GASOLINE OR HEXANE.
- 4.) INSTALLATIONS SUCH AS DECORATIVE FOUNTAINS OR WATER FEATURES PROVIDED FOR VISUAL ENJOYMENT **MUST** BE INSTALLED IN ACCORDANCE WITH THE NATIONAL ELECTRIC CODE ANSI/NFPA 70 AND/OR THE AUTHORITY HAVING JURISDICTION. THIS PUMP IS NOT INTENDED FOR USE IN SWIMMING POOLS, RECREATIONAL WATER PARKS, OR INSTALLATIONS IN WHICH HUMAN CONTACT WITH PUMPED MEDIA IS A COMMON OCCURRENCE.
- 5.) WINDING RESISTANCE ± 7.5%. WINDING RESISTANCE MEASURED IN OHMS @ 25°C (BETWEEN LINES) AT MOTOR LEADS.
- 6.) PUMP RATED FOR OPERATION AT ± 10% VOLTAGE AT MOTOR.
- 7.) CORD SUFFIX: XF - 50 FEET, XJ - 75 FEET, OR XL - 100 FEET. CORD SOLD SEPARATELY.

CHART 'D'

MODEL NO.	SIZE	IMP. DIA. INCHES (MM)	HP	VOLT	PH	HZ	RPM	NEMA START CODE	FULL LOAD AMPS	SERVICE FACTOR	SERVICE FACTOR AMPS	LOCKED ROTOR AMPS	DRIVER FRAME	CORD P/N ▲	CORD SIZE	CORD O.D.	WINDING RESISTANCE
7366N-618-32-32N	6D	9.25 (235)	25	208	3	60	1750	G	77.8	1.2	93.4	359.0	4	138319	2/4 - 18/4	1.47 ± .03	.098
				230					82.3								
7366N-618-33-32N	6D	9.84 (250)	30	208	3	60	1750	E	93.4	1.2	116.9	359.0	4	138319	2/4 - 18/4	1.47 ± .03	.098
				230					98.7								
7366N-618-49-32N	6D	10.63 (270)	40	230	3	60	1750	E	106.0	1.2	126.4	486.0	4	138319	2/4 - 18/4	1.47 ± .03	.063
				460					63.2								
7366N-618-64-32N	6D	10.63 (270)	40	460	3	60	1750	E	53.0	1.2	63.2	243.0	4	138318	6/4 - 18/4	1.14 ± .03	.248
				575					50.6								
7366N-618-79-32N	6D	10.63 (270)	40	575	3	60	1750	E	42.4	1.2	50.6	194.4	4	138317	8/4 - 18/4	1.12 ± .02	.382
				460					79.0								
7366N-618-65-32N	6D	11.61 (295)	50	460	3	60	1750	F	67.1	1.2	79.0	339.0	4	138318	6/4 - 18/4	1.14 ± .03	.15
				575					63.2								
7366N-618-80-32N	6D	11.61 (295)	50	575	3	60	1750	F	53.7	1.2	63.2	271.2	4	138318	6/4 - 18/4	1.14 ± .03	.245
				460					95.5								
7366N-618-66-32N	6D	12.40 (315)	60	460	3	60	1750	E	79.0	1.2	95.5	339.0	4	138319	2/4 - 18/4	1.47 ± .03	.15
				575					76.4								
7366N-618-81-32N	6D	12.40 (315)	60	575	3	60	1750	E	63.2	1.2	76.4	271.2	4	138318	6/4 - 18/4	1.14 ± .03	.245
7366N-622-31-32N	6D	12.80 (325)	20	208	3	60	1150	H	60.3	1.2	71.5	354.0	4	138318	6/4 - 18/4	1.14 ± .03	.1117
				230					69.8								
7366N-622-32-32N	6D	13.58 (345)	25	208	3	60	1150	G	75.2	1.2	90.8	354.0	4	138319	2/4 - 18/4	1.47 ± .03	.1117
				230					82.6								
7366N-622-92-32N	6D	13.58 (345)	25	460	3	60	1150	G	35.4	1.2	41.3	177.0	4	138317	8/4 - 18/4	1.12 ± .02	.4397
				575					33.0								
7366N-622-1B-32N	6D	13.58 (345)	25	575	3	60	1150	G	28.3	1.2	33.0	141.6	4	138317	8/4 - 18/4	1.12 ± .02	.6857
				208					114.9								
7366N-622-33-32N	6D	14.17 (360)	30	208	3	60	1150	E	82.6	1.2	99.7	354.0	4	138319	2/4 - 18/4	1.47 ± .03	.1117
				230					49.9								
7366N-622-93-32N	6D	14.17 (360)	30	460	3	60	1150	E	41.3	1.2	49.9	177.0	4	138317	8/4 - 18/4	1.12 ± .02	.4397
				575					39.9								
7366N-622-1C-32N	6D	14.17 (360)	30	575	3	60	1150	E	33.0	1.2	39.9	141.6	4	138317	8/4 - 18/4	1.12 ± .02	.6857
				230					131.8								
7366N-622-49-32N	6D	14.57 (370)	40	230	3	60	1150	E	110.4	1.2	131.8	476	4	138319	2/4 - 18/4		
				460					65.9								
7366N-622-64-32N	6D	14.57 (370)	40	460	3	60	1150	E	55.2	1.2	65.9	238	4	138318	6/4 - 18/4		
				575					52.7								
7366N-622-79-32N	6D	14.57 (370)	40	575	3	60	1150	E	44.2	1.2	52.7	190.4	4	138317	8/4 - 18/4		

▲ CORD SOLD SEPARATELY.

**IMPORTANT !**

- 1.) MOISTURE AND TEMPERATURE SENSORS **MUST** BE CONNECTED TO VALIDATE THE CSA LISTING.
- 2.) A SPECIAL MOISTURE SENSOR RELAY IS REQUIRED IN THE CONTROL PANEL FOR PROPER OPERATION OF THE MOISTURE SENSORS. CONTACT CP&S FOR INFORMATION CONCERNING MOISTURE SENSING RELAYS FOR CUSTOMER SUPPLIED CONTROL PANELS.
- 3.) THESE PUMPS ARE CSA LISTED FOR PUMPING WATER AND WASTEWATER. **DO NOT USE TO PUMP FLAMMABLE LIQUIDS.** NOT SUITABLE FOR ENVIRONMENTS CONTAINING GASOLINE OR HEXANE.
- 4.) INSTALLATIONS SUCH AS DECORATIVE FOUNTAINS OR WATER FEATURES PROVIDED FOR VISUAL ENJOYMENT MUST BE INSTALLED IN ACCORDANCE WITH THE NATIONAL ELECTRIC CODE ANS/NFPA 70 AND/OR THE AUTHORITY HAVING JURISDICTION. THIS PUMP IS NOT INTENDED FOR USE IN SWIMMING POOLS; RECREATIONAL WATER PARKS, OR INSTALLATIONS IN WHICH HUMAN CONTACT WITH PUMPED MEDIA IS A COMMON OCCURRENCE.
- 5.) WINDING RESISTANCE ± 7.5%. WINDING RESISTANCE MEASURED IN OHMS @ 25°C (BETWEEN LINES) AT MOTOR LEADS.
- 6.) PUMP RATED FOR OPERATION AT ± 10% VOLTAGE AT MOTOR.
- 7.) CORD SUFFIX: XF - 50 FEET, XJ - 75 FEET, OR XL - 100 FEET. CORD SOLD SEPARATELY.

CHART 'E'

MODEL NO.	SIZE	IMP. DIA. INCHES (MM)	HP	VOLT	PH	HZ	RPM	NEMA START CODE	FULL LOAD AMPS	SERVICE FACTOR	SERVICE FACTOR AMPS	LOCKED ROTOR AMPS	DRIVER FRAME	CORD P/N ▲	CORD SIZE	CORD O.D.	WINDING RESISTANCE
7366N-860-32-32N	8D	9.45 (240)	25.0	208	3	60	1750	G	77.8	1.2	93.4	359.0	4	138319	2/4 - 18/4	1.47 ± .03	.098
				230					82.3								
7366N-860-33-32N	8D	9.84 (250)	30.0	208	3	60	1750	E	93.4	1.2	116.9	359.0	4	138319	2/4 - 18/4	1.47 ± .03	.098
				230					98.7								
7366N-860-49-32N	8D	10.43 (265)	40.0	230	3	60	1750	E	106.0	1.2	126.4	486.0	4	138319	2/4 - 18/4	1.47 ± .03	.063
				460					63.2								
7366N-860-64-32N	8D	10.43 (265)	40.0	460	3	60	1750	E	53.0	1.2	63.2	243.0	4	138318	6/4 - 18/4	1.14 ± .03	.248
				575					50.6								
7366N-860-79-32N	8D	10.43 (265)	40.0	575	3	60	1750	E	42.4	1.2	50.6	194.4	4	138317	8/4 - 18/4	1.12 ± .02	.382
				460					79.0								
7366N-860-65-32N	8D	11.02 (280)	50.0	460	3	60	1750	F	67.1	1.2	79.0	339.0	4	138318	6/4 - 18/4	1.14 ± .03	.15
				575					63.2								
7366N-860-80-32N	8D	11.02 (280)	50.0	575	3	60	1750	F	53.7	1.2	63.2	271.2	4	138318	6/4 - 18/4	1.14 ± .03	.245
				460					95.5								
7366N-860-66-32N	8D	11.42 (290)	60.0	460	3	60	1750	E	79.0	1.2	95.5	339.0	4	138319	2/4 - 18/4	1.47 ± .03	.15
				575					76.4								
7366N-860-81-32N	8D	11.42 (290)	60.0	575	3	60	1750	E	63.2	1.2	76.4	271.2	4	138318	6/4 - 18/4	1.14 ± .03	.245
				208					60.3								
7366N-861-31-32N	8D	11.42 (290)	20.0	208	3	60	1150	H	60.3	1.2	71.5	354.0	4	138318	6/4 - 18/4	1.14 ± .03	.1117
				230					57.2								
7366N-861-32-32N	8D	12.01 (305)	25.0	208	3	60	1150	G	75.2	1.2	90.8	354.0	4	138319	2/4 - 18/4	1.47 ± .03	.1117
				230					70.8								
7366N-861-92-32N	8D	12.01 (305)	25.0	460	3	60	1150	G	35.4	1.2	41.3	177.0	4	138317	8/4 - 18/4	1.12 ± .02	.4397
				575					28.3								
7366N-861-1B-32N	8D	12.01 (305)	25.0	575	3	60	1150	G	28.3	1.2	33.0	141.6	4	138317	8/4 - 18/4	1.12 ± .02	.6857
				208					32.0								
7366N-862-39-32N	8D	10.83 (275)	7.5	208	3	60	870	L	34.6	1.2	35.0	230.0	4	138317	8/4 - 18/4	1.12 ± .02	.199
				230					36.9								
7366N-862-1U-32N	8D	10.83 (275)	7.5	460	3	60	870	L	17.3	1.2	18.5	115.0	4	138317	8/4 - 18/4	1.12 ± .02	.795
				575					13.9								
7366N-862-1V-32N	8D	10.83 (275)	7.5	575	3	60	870	L	37.2	1.2	42.0	92.0	4	138317	8/4 - 18/4	1.12 ± .02	1.27
				208					38.6								
7366N-862-37-32N	8D	11.81 (300)	10.0	208	3	60	870	L	19.3	1.2	21.1	230.0	4	138317	8/4 - 18/4	1.12 ± .02	.199
				230					42.2								
7366N-862-89-32N	8D	11.81 (300)	10.0	460	3	60	870	L	15.4	1.2	16.9	115.0	4	138317	8/4 - 18/4	1.12 ± .02	.795
				575					50.4								
7366N-862-98-32N	8D	11.81 (300)	10.0	575	3	60	870	L	48.4	1.2	59.0	92.0	4	138317	8/4 - 18/4	1.12 ± .02	1.27
				208					55.6								
7366N-862-38-32N	8D	12.01 (305)	15.0	208	3	60	870	G	50.4	1.2	55.6	230.0	4	138317	8/4 - 18/4	1.12 ± .02	.199
				230					27.8								
7366N-862-90-32N	8D	12.01 (305)	15.0	460	3	60	870	G	24.2	1.2	27.8	115.0	4	138317	8/4 - 18/4	1.12 ± .02	.795
				575					22.2								
7366N-862-99-32N	8D	12.01 (305)	15.0	575	3	60	870	G	19.4	1.2	22.2	92.0	4	138317	8/4 - 18/4	1.12 ± .02	1.27
				208					19.4								

▲ CORD SOLD SEPARATELY.

**IMPORTANT !**

- 1.) MOISTURE AND TEMPERATURE SENSORS **MUST** BE CONNECTED TO VALIDATE THE CSA LISTING.
- 2.) A SPECIAL MOISTURE SENSOR RELAY IS REQUIRED IN THE CONTROL PANEL FOR PROPER OPERATION OF THE MOISTURE SENSORS. CONTACT CP&S FOR INFORMATION CONCERNING MOISTURE SENSING RELAYS FOR CUSTOMER SUPPLIED CONTROL PANELS.
- 3.) THESE PUMPS ARE CSA LISTED FOR PUMPING WATER AND WASTEWATER. **DO NOT USE TO PUMP FLAMMABLE LIQUIDS.** NOT SUITABLE FOR ENVIRONMENTS CONTAINING GASOLINE OR HEXANE.
- 4.) INSTALLATIONS SUCH AS DECORATIVE FOUNTAINS OR WATER FEATURES PROVIDED FOR VISUAL ENJOYMENT **MUST** BE INSTALLED IN ACCORDANCE WITH THE NATIONAL ELECTRIC CODE ANS/NFPA 70 AND/OR THE AUTHORITY HAVING JURISDICTION. THIS PUMP IS NOT INTENDED FOR USE IN SWIMMING POOLS; RECREATIONAL WATER PARKS, OR INSTALLATIONS IN WHICH HUMAN CONTACT WITH PUMPED MEDIA IS A COMMON OCCURRENCE.
- 5.) WINDING RESISTANCE ± 7.5%. WINDING RESISTANCE MEASURED IN OHMS @ 25°C (BETWEEN LINES) AT MOTOR LEADS.
- 6.) PUMP RATED FOR OPERATION AT ± 10% VOLTAGE AT MOTOR.
- 7.) CORD SUFFIX: XF - 50 FEET, XJ - 75 FEET, OR XL - 100 FEET. CORD SOLD SEPARATELY.

CHART 'F'

MODEL NO.	SIZE	IMP. DIA. INCHES (MM)	HP	VOLT	PH	HZ	RPM	NEMA START CODE	FULL LOAD AMPS	SERVICE FACTOR	SERVICE FACTOR AMPS	LOCKED ROTOR AMPS	DRIVER FRAME	CORD P/N ▲	CORD SIZE	CORD O.D.	WINDING RESISTANCE
7366N-850-66-32N	8T	9.84 (250)	60.0	460	3	60	1750	E	79.0	1.2	95.5	339.0	4	138319	2/4 - 18/4	1.47 ± .03	.15
7366N-850-81-32N	8T	9.84 (250)	60.0	575	3	60	1750	E	63.2	1.2	76.4	271.2	4	138318	6/4 - 18/4	1.14 ± .03	.245
7366N-823-31-32N	8T	**	20.0	208 230	3	60	1150	H	60.3 57.2	1.2	71.5 69.8	354.0	4	138318	6/4 - 18/4	1.14 ± .03	.3277
7366N-823-32-32N	8T	10.24 (260)	25.0	208 230	3	60	1150	G	75.2 70.8	1.2	90.8 82.6	354.0	4	138319	2/4 - 18/4	1.47 ± .03	.1117
7366N-823-92-32N	8T	10.24 (260)	25.0	460	3	60	1150	G	35.4	1.2	41.3	177.0	4	138317	8/4 - 18/4	1.12 ± .02	.4397
7366N-823-1B-32N	8T	10.24 (260)	25.0	575	3	60	1150	G	28.3	1.2	33.0	141.6	4	138317	8/4 - 18/4	1.12 ± .02	.6857
7366N-823-33-32N	8T	10.63 (270)	30.0	208 230	3	60	1150	E	90.8 82.6	1.2	114.9 99.7	354.0	4	138319	2/4 - 18/4	1.47 ± .03	.1117
7366N-823-93-32N	8T	10.63 (270)	30.0	460	3	60	1150	E	41.3	1.2	49.9	177.0	4	138317	8/4 - 18/4	1.12 ± .02	.4397
7366N-823-1C-32N	8T	10.63 (270)	30.0	575	3	60	1150	E	33.0	1.2	39.9	141.6	4	138317	8/4 - 18/4	1.12 ± .02	.6857
7366N-823-49-32N	8T	11.61 (295)	40.0	230	3	60	1150	E	110.4	1.2	131.8	476.0	4	138319	2/4 - 18/4	1.47 ± .03	.0819
7366N-823-64-32N	8T	11.61 (295)	40.0	460	3	60	1150	E	55.2	1.2	65.9	238.0	4	138318	6/4 - 18/4	1.14 ± .03	.3277
7366N-823-79-32N	8T	11.61 (295)	40.0	575	3	60	1150	E	44.2	1.2	52.7	190.4	4	138317	8/4 - 18/4	1.12 ± .02	.5443

▲ CORD SOLD SEPARATELY.

**IMPORTANT !**

- 1.) MOISTURE AND TEMPERATURE SENSORS **MUST** BE CONNECTED TO VALIDATE THE CSA LISTING.
- 2.) A SPECIAL MOISTURE SENSOR RELAY IS REQUIRED IN THE CONTROL PANEL FOR PROPER OPERATION OF THE MOISTURE SENSORS. CONTACT CP&S FOR INFORMATION CONCERNING MOISTURE SENSING RELAYS FOR CUSTOMER SUPPLIED CONTROL PANELS.
- 3.) THESE PUMPS ARE CSA LISTED FOR PUMPING WATER AND WASTEWATER. **DO NOT USE TO PUMP FLAMMABLE LIQUIDS.** NOT SUITABLE FOR ENVIRONMENTS CONTAINING GASOLINE OR HEXANE.
- 4.) INSTALLATIONS SUCH AS DECORATIVE FOUNTAINS OR WATER FEATURES PROVIDED FOR VISUAL ENJOYMENT MUST BE INSTALLED IN ACCORDANCE WITH THE NATIONAL ELECTRIC CODE ANSI/NFPA 70 AND/OR THE AUTHORITY HAVING JURISDICTION. THIS PUMP IS NOT INTENDED FOR USE IN SWIMMING POOLS; RECREATIONAL WATER PARKS, OR INSTALLATIONS IN WHICH HUMAN CONTACT WITH PUMPED MEDIA IS A COMMON OCCURRENCE.
- 5.) WINDING RESISTANCE ± 7.5%. WINDING RESISTANCE MEASURED IN OHMS @ 25°C (BETWEEN LINES) AT MOTOR LEADS.
- 6.) PUMP RATED FOR OPERATION AT ± 10% VOLTAGE AT MOTOR.
- 7.) CORD SUFFIX: XF - 50 FEET, XJ - 75 FEET, OR XL - 100 FEET. CORD SOLD SEPARATELY.

CHART 'G'

MODEL NO.	SIZE	IMP. DIA. INCHES (MM)	HP	VOLT	PH	HZ	RPM	NEMA START CODE	FULL LOAD AMPS	SERVICE FACTOR	SERVICE FACTOR AMPS	LOCKED ROTOR AMPS	DRIVER FRAME	CORD P/N ▲	CORD SIZE	CORD O.D.	WINDING RESISTANCE
7366N-851-39-32N	8T	**	7.5	208 230	3	60	870	L	32.0 34.6	1.2	35.0 36.9	230.0	4	138317	8/4 - 18/4	1.12 ± .02	.199
7366N-851-1U-32N	8T	**	7.5	460	3	60	870	L	17.3	1.2	18.5	115.0	4	138317	8/4 - 18/4	1.12 ± .02	.795
7366N-851-1V-32N	8T	**	7.5	575	3	60	870	L	13.9	1.2	14.8	92.0	4	138317	8/4 - 18/4	1.12 ± .02	1.27
7366N-851-37-32N	8T	10.24 (260)	10.0	208 230	3	60	870	L	37.2 38.6	1.2	42.0 42.2	230.0	4	138317	8/4 - 18/4	1.12 ± .02	.199
7366N-851-89-32N	8T	10.24 (260)	10.0	460	3	60	870	L	19.3	1.2	21.1	115.0	4	138317	8/4 - 18/4	1.12 ± .02	.795
7366N-851-98-32N	8T	10.24 (260)	10.0	575	3	60	870	L	15.4	1.2	16.9	92.0	4	138317	8/4 - 18/4	1.12 ± .02	1.27
7366N-851-38-32N	8T	11.61 (295)	15.0	208 230	3	60	870	G	50.4 48.4	1.2	59.0 55.6	230.0	4	138317	8/4 - 18/4	1.12 ± .02	.199
7366N-851-90-32N	8T	11.61 (295)	15.0	460	3	60	870	G	24.2	1.2	27.8	115.0	4	138317	8/4 - 18/4	1.12 ± .02	.795
7366N-851-99-32N	8T	11.61 (295)	15.0	575	3	60	870	G	19.4	1.2	22.2	92.0	4	138317	8/4 - 18/4	1.12 ± .02	1.27
7366N-851-31-32N	8T	12.60 (320)	20.0	208 230	3	60	870	J	69.0 75.1	1.2	76.0 79.0	400.0	4	138318	6/4 - 18/4	1.14 ± .03	.121
7366N-851-91-32N	8T	12.60 (320)	20.0	460	3	60	870	J	37.6	1.2	41.1	200.0	4	138317	8/4 - 18/4	1.12 ± .02	.483
7366N-851-1A-32N	8T	12.60 (320)	20.0	575	3	60	870	J	30.1	1.2	32.9	160.0	4	138317	8/4 - 18/4	1.12 ± .02	.77
7366N-851-32-32N	8T	13.58 (345)	25.0	208 230	3	60	870	H	82.3 84.0	1.2	98.8 94.5	400.0	4	138319	2/4 - 18/4	1.47 ± .03	.121
7366N-851-92-32N	8T	13.58 (345)	25.0	460	3	60	870	H	42.0	1.2	47.2	200.0	4	138317	8/4 - 18/4	1.12 ± .02	.483
7366N-851-1B-32N	8T	13.58 (345)	25.0	575	3	60	870	H	33.6	1.2	37.8	160.0	4	138317	8/4 - 18/4	1.12 ± .02	.77
7366N-851-33-32N	8T	14.17 (360)	30.0	208 230	3	60	870	F	98.8 94.5	1.2	124.1 108.6	400.0	4	138319	2/4 - 18/4	1.47 ± .03	.121
7366N-851-93-32N	8T	14.17 (360)	30.0	460	3	60	870	F	47.2	1.2	54.3	200.0	4	138317	8/4 - 18/4	1.12 ± .02	.483
7366N-851-1C-32N	8T	14.17 (360)	30.0	575	3	60	870	F	37.8	1.2	43.5	160.0	4	138317	8/4 - 18/4	1.12 ± .02	.77

▲ CORD SOLD SEPARATELY.

**IMPORTANT !**

- 1.) MOISTURE AND TEMPERATURE SENSORS **MUST** BE CONNECTED TO VALIDATE THE CSA LISTING.
- 2.) A SPECIAL MOISTURE SENSOR RELAY IS REQUIRED IN THE CONTROL PANEL FOR PROPER OPERATION OF THE MOISTURE SENSORS. CONTACT CP&S FOR INFORMATION CONCERNING MOISTURE SENSING RELAYS FOR CUSTOMER SUPPLIED CONTROL PANELS.
- 3.) THESE PUMPS ARE CSA LISTED FOR PUMPING WATER AND WASTEWATER. **DO NOT USE TO PUMP FLAMMABLE LIQUIDS.** NOT SUITABLE FOR ENVIRONMENTS CONTAINING GASOLINE OR HEXANE.
- 4.) INSTALLATIONS SUCH AS DECORATIVE FOUNTAINS OR WATER FEATURES PROVIDED FOR VISUAL ENJOYMENT MUST BE INSTALLED IN ACCORDANCE WITH THE NATIONAL ELECTRIC CODE ANSI/NFPA 70 AND/OR THE AUTHORITY HAVING JURISDICTION. THIS PUMP IS NOT INTENDED FOR USE IN SWIMMING POOLS; RECREATIONAL WATER PARKS, OR INSTALLATIONS IN WHICH HUMAN CONTACT WITH PUMPED MEDIA IS A COMMON OCCURRENCE.
- 5.) WINDING RESISTANCE ± 7.5%. WINDING RESISTANCE MEASURED IN OHMS @ 25°C (BETWEEN LINES) AT MOTOR LEADS.
- 6.) PUMP RATED FOR OPERATION AT ± 10% VOLTAGE AT MOTOR.
- 7.) CORD SUFFIX: XF - 50 FEET, XJ - 75 FEET, OR XL - 100 FEET. CORD SOLD SEPARATELY.

CHART 'H'

MODEL NO.	SIZE	IMP. DIA. INCHES (MM)	HP	VOLT	PH	HZ	RPM	NEMA START CODE	FULL LOAD AMPS	SERVICE FACTOR	SERVICE FACTOR AMPS	LOCKED ROTOR AMPS	DRIVER FRAME	CORD P/N ▲	CORD SIZE	CORD O.D.	WINDING RESISTANCE
7366N-X54-32-32N	10DH	11.81 (300)	25.0	208 230	3	60	1150	G	75.2 70.8	1.2 1.2	90.8 82.6	354.0	4	138319	2/4 - 18/4	1.47 ± .03	.1117
7366N-X54-92-32N	10DH	11.81 (300)	25.0	460	3	60	1150	G	35.4	1.2	41.3	177.0	4	138317	8/4 - 18/4	1.12 ± .02	.4397
7366N-X54-1B-32N	10DH	11.81 (300)	25.0	575	3	60	1150	G	28.3	1.2	33.0	141.6	4	138317	8/4 - 18/4	1.12 ± .02	.6857
7366N-X54-33-32N	10DH	12.20 (310)	30.0	208 230	3	60	1150	E	90.8 82.6	1.2 1.2	114.9 99.7	354.0	4	138319	2/4 - 18/4	1.47 ± .03	.1117
7366N-X54-93-32N	10DH	12.20 (310)	30.0	460	3	60	1150	E	41.3	1.2	49.9	177.0	4	138317	8/4 - 18/4	1.12 ± .02	.4397
7366N-X54-1C-32N	10DH	12.20 (310)	30.0	575	3	60	1150	E	33.0	1.2	39.9	141.6	4	138317	8/4 - 18/4	1.12 ± .02	.6857
7366N-X54-49-32N	10DH	13.19 (335)	40.0	230	3	60	1150	E	110.4	1.2	131.8	476.0	4	138319	2/4 - 18/4	1.47 ± .03	.0819
7366N-X54-64-32N	10DH	13.19 (335)	40.0	460	3	60	1150	E	55.2	1.2	65.9	238.0	4	138318	6/4 - 18/4	1.14 ± .03	.3277
7366N-X54-79-32N	10DH	13.19 (335)	40.0	575	3	60	1150	E	44.2	1.2	52.7	190.4	4	138317	8/4 - 18/4	1.12 ± .02	.5443
7366N-X55-37-32N	10DH	11.42 (290)	10.0	208 230	3	60	870	L	37.2 38.6	1.2	42.0 42.2	230.0	4	138317	8/4 - 18/4	1.12 ± .02	.199
7366N-X55-89-32N	10DH	11.42 (290)	10.0	460	3	60	870	L	19.3	1.2	21.1	115.0	4	138317	8/4 - 18/4	1.12 ± .02	.795
7366N-X55-98-32N	10DH	11.42 (290)	10.0	575	3	60	870	L	15.4	1.2	16.9	92.0	4	138317	8/4 - 18/4	1.12 ± .02	1.27
7366N-X55-38-32N	10DH	12.60 (320)	15.0	208 230	3	60	870	G	50.4 48.4	1.2	59.0 55.6	230.0	4	138317	8/4 - 18/4	1.12 ± .02	.199
7366N-X55-90-32N	10DH	12.60 (320)	15.0	460	3	60	870	G	24.2	1.2	27.8	115.0	4	138317	8/4 - 18/4	1.12 ± .02	.795
7366N-X55-99-32N	10DH	12.60 (320)	15.0	575	3	60	870	G	19.4	1.2	22.2	92.0	4	138317	8/4 - 18/4	1.12 ± .02	1.27
7366N-X55-31-32N	10DH	13.58 (345)	20.0	208 230	3	60	870	J	69.0 75.1	1.2	76.0 79.0	400.0	4	138318	6/4 - 18/4	1.14 ± .03	.121
7366N-X55-91-32N	10DH	13.58 (345)	20.0	460	3	60	870	J	37.6	1.2	41.1	200.0	4	138317	8/4 - 18/4	1.12 ± .02	.483
7366N-X55-1A-32N	10DH	13.58 (345)	20.0	575	3	60	870	J	30.1	1.2	32.9	160.0	4	138317	8/4 - 18/4	1.12 ± .02	.77
7366N-X55-32-32N	10DH	14.17 (360)	25.0	208 230	3	60	870	H	82.3 84.0	1.2	98.8 94.5	400.0	4	138319	2/4 - 18/4	1.47 ± .03	.121
7366N-X55-92-32N	10DH	14.17 (360)	25.0	460	3	60	870	H	42.0	1.2	47.2	200.0	4	138317	8/4 - 18/4	1.12 ± .02	.483
7366N-X55-1B-32N	10DH	14.17 (360)	25.0	575	3	60	870	H	33.6	1.2	37.8	160.0	4	138317	8/4 - 18/4	1.12 ± .02	.77

▲ CORD SOLD SEPARATELY.

**IMPORTANT !**

- 1.) MOISTURE AND TEMPERATURE SENSORS **MUST** BE CONNECTED TO VALIDATE THE CSA LISTING.
- 2.) A SPECIAL MOISTURE SENSOR RELAY IS REQUIRED IN THE CONTROL PANEL FOR PROPER OPERATION OF THE MOISTURE SENSORS. CONTACT CP&S FOR INFORMATION CONCERNING MOISTURE SENSING RELAYS FOR CUSTOMER SUPPLIED CONTROL PANELS.
- 3.) THESE PUMPS ARE CSA LISTED FOR PUMPING WATER AND WASTEWATER. **DO NOT USE TO PUMP FLAMMABLE LIQUIDS.** NOT SUITABLE FOR ENVIRONMENTS CONTAINING GASOLINE OR HEXANE.
- 4.) INSTALLATIONS SUCH AS DECORATIVE FOUNTAINS OR WATER FEATURES PROVIDED FOR VISUAL ENJOYMENT MUST BE INSTALLED IN ACCORDANCE WITH THE NATIONAL ELECTRIC CODE ANS/NFPA 70 AND/OR THE AUTHORITY HAVING JURISDICTION. THIS PUMP IS NOT INTENDED FOR USE IN SWIMMING POOLS; RECREATIONAL WATER PARKS, OR INSTALLATIONS IN WHICH HUMAN CONTACT WITH PUMPED MEDIA IS A COMMON OCCURRENCE.
- 5.) WINDING RESISTANCE ± 7.5%. WINDING RESISTANCE MEASURED IN OHMS @ 25°C (BETWEEN LINES) AT MOTOR LEADS.
- 6.) PUMP RATED FOR OPERATION AT ± 10% VOLTAGE AT MOTOR.
- 7.) CORD SUFFIX: XF - 50 FEET, XJ - 75 FEET, OR XL - 100 FEET. CORD SOLD SEPARATELY.

CHART 'J'



MODEL NO.	SIZE	IMP. DIA. INCHES (MM)	HP	VOLT	PH	HZ	RPM	NEMA START CODE	FULL LOAD AMPS	SERVICE FACTOR	SERVICE FACTOR AMPS	LOCKED ROTOR AMPS	DRIVER FRAME	CORD P/N ▲	CORD SIZE	CORD O.D.	WINDING RESISTANCE
7366N-X52-49-32N	10DL	13.78 (350)	40.0	230	3	60	1150	E	110.4	1.2	131.8	476.0	4	138319	2/4 - 18/4	1.47 ± .03	.819
7366N-X52-64-32N	10DL	13.78 (350)	40.0	460	3	60	1150	E	55.2	1.2	65.9	238.0	4	138318	6/4 - 18/4	1.14 ± .03	.3277
7366N-X52-79-32N	10DL	13.78 (350)	40.0	575	3	60	1150	E	44.2	1.2	52.7	190.4	4	138317	8/4 - 18/4	1.12 ± .02	.5443
7366N-X53-38-32N	10DL	13.39 (340)	15.0	208 230	3	60	870	G	50.4 48.4	1.2	59.0 55.6	230.0	4	138317	8/4 - 18/4	1.12 ± .02	.199
7366N-X53-90-32N	10DL	13.39 (340)	15.0	460	3	60	870	G	24.2	1.2	27.8	115.0	4	138317	8/4 - 18/4	1.12 ± .02	.795
7366N-X53-99-32N	10DL	13.39 (340)	15.0	575	3	60	870	G	19.4	1.2	22.2	92.0	4	138317	8/4 - 18/4	1.12 ± .02	1.27
7366N-X53-31-32N	10DL	14.37 (365)	20.0	208 230	3	60	870	J	69.0 75.1	1.2	76.0 79.0	400.0	4	138318	6/4 - 18/4	1.14 ± .03	.121
7366N-X53-91-32N	10DL	14.37 (365)	20.0	460	3	60	870	J	37.6	1.2	41.1	200.0	4	138317	8/4 - 18/4	1.12 ± .02	.483
7366N-X53-1A-32N	10DL	14.37 (365)	20.0	575	3	60	870	J	30.1	1.2	32.9	160.0	4	138317	8/4 - 18/4	1.12 ± .02	.77
7366N-X53-32-32N	10DL	15.16 (385)	25.0	208 230	3	60	870	H	82.3 84.0	1.2	98.8 94.5	400.0	4	138319	2/4 - 18/4	1.47 ± .03	.121
7366N-X53-92-32N	10DL	15.16 (385)	25.0	460	3	60	870	H	42.0	1.2	47.2	200.0	4	138317	8/4 - 18/4	1.12 ± .02	.483
7366N-X53-1B-32N	10DL	15.16 (385)	25.0	575	3	60	870	H	33.6	1.2	37.8	160.0	4	138317	8/4 - 18/4	1.12 ± .02	.77
7366N-X53-33-32N	10DL	16.14 (410)	30.0	208 230	3	60	870	F	98.8 94.5	1.2	124.1 108.6	400.0	4	138319	2/4 - 18/4	1.47 ± .03	.121
7366N-X53-93-32N	10DL	16.14 (410)	30.0	460	3	60	870	F	47.2	1.2	54.3	200.0	4	138317	8/4 - 18/4	1.12 ± .02	.483
7366N-X53-1C-32N	10DL	16.14 (410)	30.0	575	3	60	870	F	37.8	1.2	43.5	160.0	4	138317	8/4 - 18/4	1.12 ± .02	.77

▲ CORD SOLD SEPARATELY.

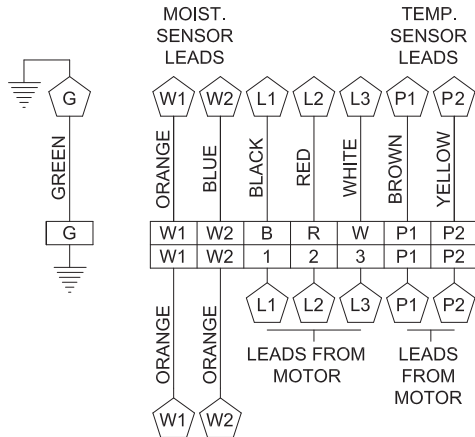
**IMPORTANT !**

- 1.) MOISTURE AND TEMPERATURE SENSORS **MUST** BE CONNECTED TO VALIDATE THE CSA LISTING.
- 2.) A SPECIAL MOISTURE SENSOR RELAY IS REQUIRED IN THE CONTROL PANEL FOR PROPER OPERATION OF THE MOISTURE SENSORS. CONTACT CP&S FOR INFORMATION CONCERNING MOISTURE SENSING RELAYS FOR CUSTOMER SUPPLIED CONTROL PANELS.
- 3.) THESE PUMPS ARE CSA LISTED FOR PUMPING WATER AND WASTEWATER. **DO NOT USE TO PUMP FLAMMABLE LIQUIDS.** NOT SUITABLE FOR ENVIRONMENTS CONTAINING GASOLINE OR HEXANE.
- 4.) INSTALLATIONS SUCH AS DECORATIVE FOUNTAINS OR WATER FEATURES PROVIDED FOR VISUAL ENJOYMENT MUST BE INSTALLED IN ACCORDANCE WITH THE NATIONAL ELECTRIC CODE ANSI/NFPA 70 AND/OR THE AUTHORITY HAVING JURISDICTION. THIS PUMP IS NOT INTENDED FOR USE IN SWIMMING POOLS; RECREATIONAL WATER PARKS, OR INSTALLATIONS IN WHICH HUMAN CONTACT WITH PUMPED MEDIA IS A COMMON OCCURRENCE.
- 5.) WINDING RESISTANCE ± 7.5%. WINDING RESISTANCE MEASURED IN OHMS @ 25°C (BETWEEN LINES) AT MOTOR LEADS.
- 6.) PUMP RATED FOR OPERATION AT ± 10% VOLTAGE AT MOTOR.
- 7.) CORD SUFFIX: XF - 50 FEET, XJ - 75 FEET, OR XL - 100 FEET. CORD SOLD SEPARATELY.

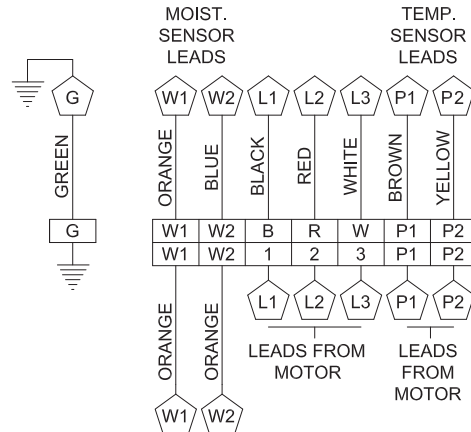
CHART 'K'

THREE PHASE 460-575 VOLT AC	
Power Cable	Motor Lead ID
Green (Ground)	Green
Black	1
Red	2
White	3

MOISTURE AND TEMPERATURE SENSORS	
Control Cable	Lead ID
Brown	P1 (Temperature Sensor)
Yellow	P2 (Temperature Sensor)
Orange	W1 (Moisture Sensor)
Blue	W2 (Moisture Sensor)

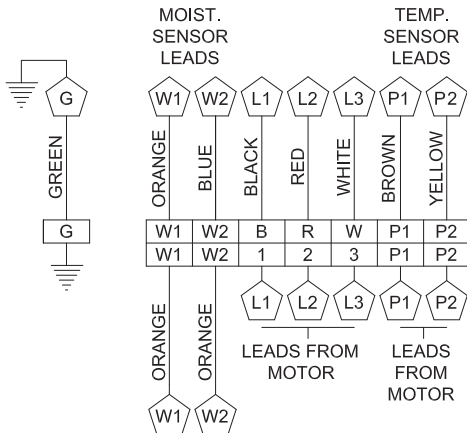


INTERNAL PUMP CONNECTIONS  
THREE PHASE: 460/575 VOLTS



INTERNAL PUMP CONNECTIONS  
THREE PHASE: 575 VOLTS

THREE PHASE 208-230 VOLT AC	
Power Cable	Motor Lead ID
Green (Ground)	Green
Black	1
Red	2
White	3



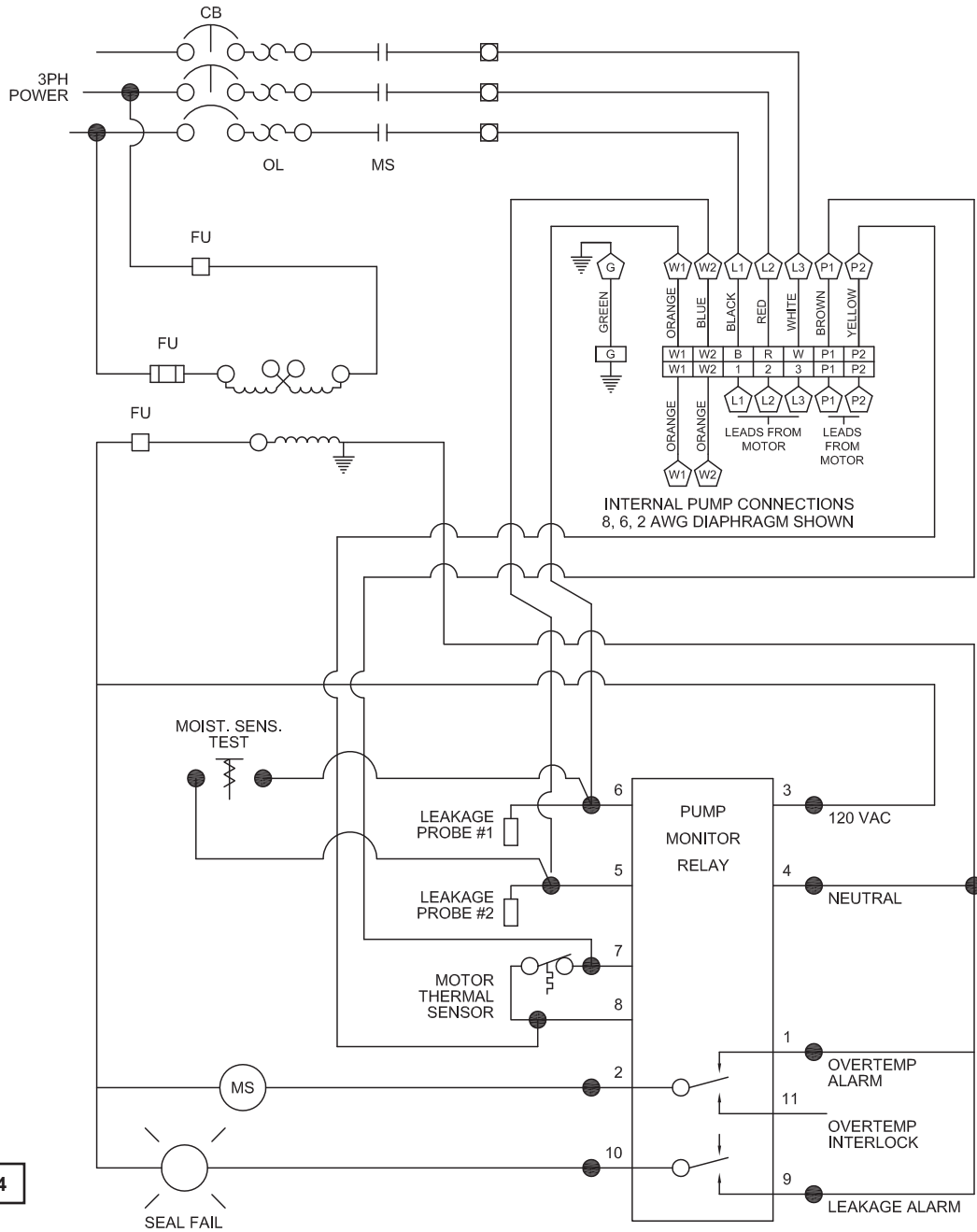
INTERNAL PUMP CONNECTIONS  
THREE PHASE: 208-230 VOLTS

FIGURE 3

**External Ground Note:**

(Grd symbol) An external ground screw is provided on the side of the motor cap which can be used for supplemental bonding connection where local codes permit or require such connection.

## WIRING DIAGRAM



**FIGURE 4**

**B-4.3) Overload Protection:**

Current sensing overloads must be provided in the pump control panel and should be properly sized for the full load current of the pump. Three normally closed (N/C) thermal sensors wired in series (one per phase) are embedded in the motor windings and will detect excessive heat in the event an overload condition occurs. Upon sensing the over temperature condition, the normally closed contact in the sensors will open and turn the pump off when wired in series with the motor contactor control circuit. The thermal sensor leads marked P1 and P2 MUST be connected in series with the pilot circuit of the magnetic motor controller located in the control panel so that the thermostat will open the circuit before dangerous temperatures are reached.

A manual momentary start switch is required to prevent the automatic restarting of the motor when the thermostat resets, refer to Figure 4.

In the event of an over temperature condition, the source of this condition should be determined and rectified before the pump is put back into normal operation. **DO NOT LET THE PUMP CYCLE OR RUN IF AN OVER TEMPERATURE CONDITION OCCURS!**

If current through the temperature sensor exceeds the values listed, an intermediate control circuit relay must be used to reduce the current or the sensor will not work properly.

<b>Volts</b>	<b>Continuous Amperes</b>	<b>Inrush Amperes</b>
110-120	3.00	30.0
220-240	1.50	15.0
440-480	0.75	7.5

**B-4.4) Moisture Sensors:**

A normally open (N/O) set of moisture probes are installed in the pump seal chamber, which can be used to detect any moisture present in the seal chamber and/or motor chamber. A 330 K-Ohm, 1 watt test resistor is mounted between the probes to allow for verification that the moisture sensor circuit is in-tact using a multi-meter. The moisture sensors MUST be connected to moisture detector control in the control panel. The normally closed (N/C) contact of the moisture detector MUST be connected in series with the control circuit of the motor contactor. Wiring must be provided from the moisture detector sensor probe leads of the motor designated W1 and W2. In the event of moisture detection, the pump should be pulled and the source of the failure located and repaired. **IF MOISTURE DETECTION HAS OCCURRED, SCHEDULE MAINTENANCE AS SOON AS POSSIBLE!**

**B-4.5) Control Panel and Electrical System:**

The control panel and the electrical system MUST be properly designed and wired to include at least, but not limited to the following;

- a. Proper grounding per NEC.
- b. A temperature sensing circuit (See Fig. 4)
- c. A moisture detection circuit with continuity test circuit (See Fig. 4)
- d. A level control system.
- e. A main power manual disconnect and lock out.
- f. A motor starter and overload system.

It is advisable that all three phase control panels be purchased from the factory.

If a panel is to be supplied locally, it is recommended that the Crane Pumps & Systems Pump Monitor Relay (P/N 134667) be used to perform the control circuit functions for the Temperature and Moisture Sensor Monitoring described in sections B4.3 and B4.4. The Pump Monitor Relay was designed to perform these functions in a compact module that can be base or panel mounted and is resistant to noise issues found with some VFD's. Indicator lights on the front display notify the operator in the event of a fault condition for either temperature, moisture or both. Normally open and normally closed contacts are flexible to accommodate nearly any wiring scenario and the moisture sensor sensitivity can be adjusted to prevent nuisance alarms.

**B-5) When Used with a Variable Speed Drive:**

Maximum turndown should not exceed 2:1. Drive should be set to operate in constant torque mode.

**SECTION: C START-UP OPERATION**

**C-1) Check Voltage and Phase:**

Before operating pump, compare the voltage and phase information stamped on the pump's identification plate to the available power.

**C-2) Check Pump Rotation:**

Before putting pump into service for the first time, the motor rotation must be checked. Improper motor rotation can result in poor pump performance and can damage the motor and/or pump. To check the rotation, suspend the pump freely, momentarily apply power and observe the "kickback". "Kickback" should always be in a counter-clockwise direction as viewed from the top of the pump motor housing and will always be in the opposite direction of the rotation arrows cast in the pump volute.

**C-2.1) Incorrect Rotation for Three-Phase Pumps:**

In the event that the rotation is incorrect for a three-phase installation, interchange any two power cable leads at the control box. Recheck the "kickback" rotation again by momentarily applying power.

**C-2.2) Test Procedure For Moisture Sensor Control:**

With a moisture detection control, a normally open push button is typically provided as a means of checking the moisture sensing components. When the push button is depressed, the probes will be shorted simulating water. While being held, the seal leakage indicating lamp will be illuminated to indicate (A) power is supplied to the control, (B) the control is operative, and (C) wiring to the moisture sensing probes in the pump is intact. This procedure should be performed periodically to confirm integrity of the circuit.

**C-3) Start-Up Report:**

Included at the end of this manual is one start-up report sheet, this sheet is to be completed as applicable. Return a copy to Deming and store the second in the control panel or with the pump manual. It is important to record this data at initial start-up since it will be useful to refer to should servicing the pump be required in the future.

**C-3.1) Identification Plate:**

Record the numbers from the pump's identification plate on the START-UP REPORT provided at the end of the manual for future reference.

**C-3.2) Insulation Test:**

Before the pump is put into service, an insulation (megger) test should be performed on the motor. The resistance values (ohms) as well as the voltage (volts) and current (amps) should be recorded on the start-up report. Pumps/systems with an insulation value of less than 5 M-Ohms should be investigated for moisture or damaged cables before proceeding.

**C-3.3) Pump-Down Test:**

After the pump has been properly wired and lowered into the basin, sump or lift station, it is advisable to check the system by filling with liquid and allowing the pump to operate through it's pumping cycle. The time needed to empty the system, or pump-down time along with the volume of water, should be recorded on the start-up report.

**IMPORTANT! THE MAXIMUM ALLOWABLE STARTS PER HOUR IS 15, EVENLY SPACED.**

**SECTION D: PREVENTATIVE MAINTENANCE**

As the motor and seal chamber are oil-filled, no lubrication or other maintenance is required, and generally Deming Pumps will give very reliable service and can be expected to operate for years of normal sewage pumping without failing. However, as with any mechanical piece of equipment a preventive maintenance program is recommended and suggested to include the following checks:

- 1) Test moisture detector control "Test Switch" for continuity of circuit. Water in the seal chamber will energize a seal leak warning light at the control panel. This is a warning light only and does not stop the motor. It indicates the seal has leaked and must be repaired. This should be done within 2 or 3 weeks to prevent further damage. See section C-2.2.
- 2) Inspect impeller and body for excessive build-up or clogging and repair as required per section E-2.
- 3) Inspect outer shaft seal and replace as required per section E-3.
- 4) Check motor for ground leakage and proper amp draw.

**SECTION E: SERVICE AND REPAIR**

NOTE: All item numbers in ( ) refer to Figures 9 & 10.



**WARNING ! - Electrical power to the pump motors must be disconnected and locked out to prevent any dangerous electrical hazards or personnel danger before any service work is done to the pump.**



**CAUTION ! - Operating pump builds up heat and pressure; allow time for pump to cool to room temperature before handling or servicing.**

**E-1) Lubrication**

**E-1.1) Checking Oil**

1. Place pump on it's side, and drain oil into a clean, dry container.

2. Check oil for contamination using an oil tester with a range to 30 Kilovolts breakdown.
3. If oil is found to be clean and uncontaminated (measure above 15 KV. breakdown), refill the seal chamber as per section E-1.2.
4. If oil is found to be dirty or contaminated (or measures below 15 KV. breakdown), the pump must be carefully inspected for leaks at the shaft seal (4), before refilling with oil. To locate the leak, perform a pressure test as per section E-1.3. After leak is repaired, refill with new oil as per section E-1.2.

**E-1.2) Replacing Oil:**

Seal Chamber - Drain all oil from seal chamber and dispose of properly. Refill with (see parts list for amount) new cooling oil as per Table 2. An air space must remain to compensate for oil expansion (See Fig. 9 and 12). Set unit on side and fill.



**IMPORTANT! - Do not overfill oil. Overfilling of seal chamber with oil can create excessive and dangerous hydraulic pressure which can destroy the pump and create a hazard. Overfilling oil voids warranty.**

**E-1.3) Pressure Test:**

Seal Chamber - Before checking the pump for leaks around the shaft seal, the oil level should be full. Remove pipe plug. Apply pipe sealant to pressure gauge assembly and tighten into pipe plug hole. Pressurize motor housing to 10 P.S.I. Use a soap solution around the sealed area and inspect joints for "air bubbles". If, after five minutes, the pressure is still holding constant, and no "bubbles" are observed, slowly bleed the pressure and remove the gauge assembly. Replace the pipe plug using a sealant. If the pressure does not hold, then the leak must be located.



**CAUTION! - Pressure builds up extremely fast, increase pressure by "tapping" air nozzle. Too much pressure will damage seal. Do Not exceed 10 P.S.I. in seal chamber.**

TABLE 2 - COOLING OIL - Dielectric	
SUPPLIER	GRADE
BP	Enerpar SE100
Conoco	Pale Paraffin 22
Mobil	D.T.E. Oil Light
G & G Oil	Circulating 22
Imperial Oil	Voltesso-35
Shell Canada	Transformer-10
Texaco	Diala-Oil-AX
Woco	Premium 100

**E-2) Impeller and Volute Service:**

**E-2.1) Disassembly and Inspection:**

To clean out the volute (10), or clean out or replace impeller (6), disconnect power, remove cap screws (2) then vertically lift motor assembly from the pump body (10). Clean out the volute, if necessary, clean and examine impeller (6) for pitting or wear, replace if required. To remove Impeller (6), remove cap screw (8) and washer (8A). The impeller is keyed onto the shaft with a square key (7) and to remove, pull impeller straight off the shaft using a wheel puller if required. Inspect o-ring (9) and replace if cut or damaged. Before reinstallation, check the motor shaft and impeller bore for damage.

**E-2.2) Reassembly:**

To install impeller (6), apply a thin film of oil to motor shaft and slide impeller straight onto shaft, keeping keyways lined up. Drive key (7) into keyway. Thread cap screw (8) and washer (8A) into shaft and torque to 45 ft. lbs. Rotate impeller to check for binding. Place o-ring (9) on seal plate pilot diameter lining up holes and install impeller and motor assembly onto volute (10). Loctite cap screws (2), insert into volute and motor assembly and torque to 35 ft. lbs. Check for free rotation of motor and impeller.

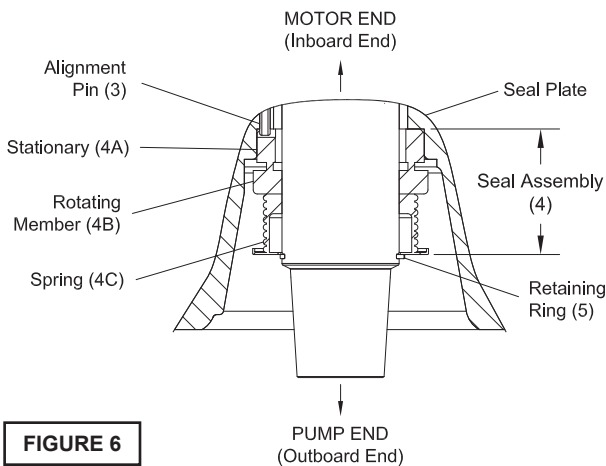
**E-3) Outer Shaft Seal Service:**



**CAUTION ! - Handle seal parts with extreme care. DO NOT scratch or mar lapped surfaces.**

**E-3.1) Disassembly and Inspection:**

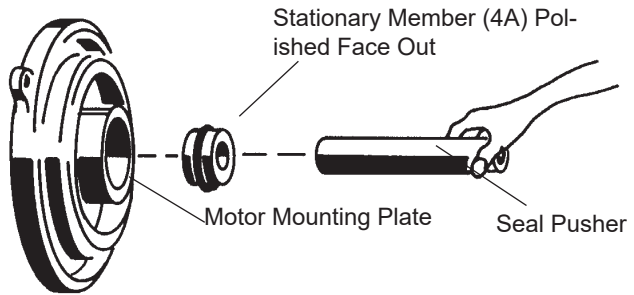
To expose outer shaft seal (4) for examination, remove Impeller and Volute per Section E-2.1. Set motor assembly (1) in the inverted position to prevent loss of oil. Remove snap ring from motor shaft, then retaining ring (5), spring (4C) and rotating member (4B) from shaft, See Figure 6. Examine all seal parts and especially contact faces. Inspect seal for signs of wear such as uneven wear pattern on stationary members, chips and scratches on either seal face. **DO NOT** interchange seal components, replace the entire shaft seal (4). If replacing seal, remove stationary (4A) from mounting plate by prying out with flat screw driver.



**FIGURE 6**

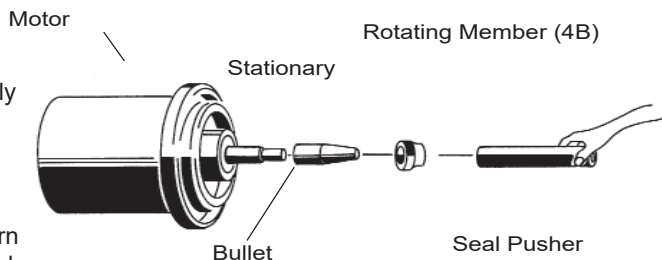
**E-3.2) Reassembly:**

Lightly oil (**DO NOT use grease**) outer surface of stationary member (4A). Press stationary member (4A) firmly into mounting plate using a seal pusher aligning seal with pin, nothing but the seal pusher is to come in contact with seal face (See Fig. 7).



**FIGURE 7**

Make sure the stationary member is in straight and that the rubber ring is not out of it's groove. Lightly oil (**DO NOT use grease**) shaft and inner surface of bellows on rotating member (4B) see Figure 8. With lapped surface of rotating member (4B) facing inward toward stationary member (4A), slide rotating member (4B) onto shaft using a seal pusher, until lapped faces of (4A) and (4B) are together. (See Fig. 8).



**FIGURE 8**

**IMPORTANT ! - It is extremely important to keep seal faces clean during assembly. dirt particles lodged between these faces will cause the seal to leak.**



Place spring (4C) over shaft and in place on rotating member (4B), making sure it is seated on retainer and not cocked or resting on bellows tail. Slide retaining ring (5) over shaft and let rest on spring (4C). Replace snap ring onto motor shaft. Inspect gasket (9) and replace if cut or damaged. Assemble impeller and volute as outlined in paragraph E-2.2.



**SECTION: F REPLACEMENT PARTS**

**F-1 ORDERING REPLACEMENT PARTS:**

When ordering replacement parts, ALWAYS furnish the following information:

1. Pump serial number and date code. (Paragraph F-4)
2. Pump model number. (Paragraph F-3)
3. Pump part number. (Paragraph F-2)
4. Part description.
5. Item part number.
6. Quantity required.
7. Shipping instructions.
8. Billing Instructions.

**F-2 PART NUMBER:**

This number is used for ordering and obtaining information.

**F-3 MODEL NUMBER:**

This designation consists of numbers and letters which represent the discharge size, series, horsepower, motor phase and voltage, speed and pump design. This number is used for ordering and obtaining information.

**F-4 SERIAL NUMBER:**

The serial number block will consist of a six digit number, which is specific to each pump and may be preceded by an alpha character, which indicates the plant location. This number will also be suffixed with a four digit number, which indicates the date the unit was built (Date Code).  
**EXAMPLE: A012345 0490.**

Reference the six digit portion (Serial Number) of this number when referring to the product.

<b>CRANE</b> PUMPS & SYSTEMS <small>Pumps, Dies</small>		<b>DEMING®</b>	
Power	Ph.	RPM	Volts
Hz.	FLA.	SFA	SF
Ambient 40°C	Duty CONT.	Code	Weight
Model No.		Serial No.	Imp. Dia.

- CONNECT THERMAL CONTACTS  
 - SUBMERSIBLE TO 66 FEET  
 - SUBMERSIBLE SEWAGE PUMP

**WARNING**

1. TO REDUCE RISK OF ELECTRICAL SHOCK: A.) SEE INSTRUCTION MANUAL FOR PROPER INSTALLATION.
- B.) PUMP MUST BE PROPERLY GROUNDED IN ACCORDANCE WITH THE NATIONAL ELECTRICAL CODE AND ALL LOCAL CODES. C.) DISCONNECT THE PUMP FROM THE POWER SOURCE BEFORE HANDLING OR SERVICING. D.) INSTALLATION AND SERVICE SHALL BE CONDUCTED BY A QUALIFIED PERSON.
2. USE WITH APPROVED MOTOR CONTROL THAT MATCHES MOTOR INPUT IN FULL LOAD AMPERES WITH OVERLOAD ELEMENT(S) SELECTED OR ADJUSTED IN ACCORDANCE WITH CONTROL INSTRUCTIONS. (UTILISER UN DÉMARREUR APPROUVÉ CONVENANT AU COURANT À PLEINECHARGE DU MOTEUR ET DONT LES ÉLÉMENTS THERMIQUES SONT RÉGLÉS OU CHOISIS CONFORMÉMENT AUX INSTRUCTION QUI L'ACCOMPAGNENT).
3. KEEP CLEAR OF SUCTION AND DISCHARGE OPENING AT ALL TIMES WHERE POWER IS CONNECTED.
4. MOTOR HOUSING WILL CONTAIN HOT OIL UNDER PRESSURE, ALLOW MOTOR TO COOL BEFORE OPENING.
5. THIS PUMP IS NOT INTENDED FOR USE IN SWIMMING POOLS, DECORATIVE FOUNTAINS OR INSTALLATIONS IN WHICH HUMAN CONTACT WITH THE PUMPED MEDIA IS A COMMON OCCURENCE.
6. DO NOT PUMP FLAMMABLE LIQUIDS.
7. DO NOT REMOVE CORD AND STRAIN RELIEF.
8. DO NOT CONNECT CONDUIT TO PUMP.

CSA 108  
UL 778  
US LR16967

127284

## TROUBLE SHOOTING

**CAUTION !** Always disconnect the pump from the electrical power source before handling.  
 If the system fails to operate properly, carefully read instructions and perform maintenance recommendations.  
 If operating problems persist, the following chart may be of assistance in identifying and correcting them:  
**MATCH “CAUSE” NUMBER WITH CORRELATING “CORRECTION” NUMBER.**

**NOTE:** Not all problems and corrections will apply to each pump model.

PROBLEM	CAUSE	CORRECTION
Pump will not run	<ol style="list-style-type: none"> <li>1. Poor electrical connection, blown fuse, tripped breaker or other interruption of power, improper power supply.</li> <li>2. Motor or switch inoperative (to isolate cause, go to manual operation of pump).</li> <li>2a. Float movement restricted.</li> <li>2b. Switch will not activate pump or is defective.</li> <li>2c. Defective motor</li> <li>3. Insufficient liquid level.</li> </ol>	<ol style="list-style-type: none"> <li>1. Check all electrical connections for security. Have electrician measure current in motor leads, if current is within <math>\pm 20\%</math> of locked rotor Amps, impeller is probably locked. If current is 0, overload may be tripped. Remove power, allow pump to cool, then recheck current.</li> <li>2a. Reposition pump or clean basin as required to provide adequate clearance for float.</li> </ol>
Pump will not turn off	<ol style="list-style-type: none"> <li>2a. Float movement restricted.</li> <li>2b. Switch will not activate pump or is defective.</li> <li>4. Excessive inflow or pump not properly sized for application.</li> <li>9. Pump may be airlocked</li> <li>14. H-O-A switch on panel is in “HAND” position</li> </ol>	<ol style="list-style-type: none"> <li>2b. Disconnect level control. Set ohmmeter for a low range, such as 100 ohms full scale and connect to level control leads. Actuate level control manually and check to see that ohmmeter shows zero ohms for closed switch and full scale for open switch. (Float Switch).</li> <li>2c. Check winding insulation (Megger Test) and winding resistance. If check is outside of range, dry and recheck. If still defective, replace per service instructions.</li> </ol>
Pump hums but does not run	<ol style="list-style-type: none"> <li>1. Incorrect voltage</li> <li>8. Impeller jammed or loose on shaft, worn or damaged, impeller cavity or inlet plugged.</li> </ol>	<ol style="list-style-type: none"> <li>2c. Check winding insulation (Megger Test) and winding resistance. If check is outside of range, dry and recheck. If still defective, replace per service instructions.</li> </ol>
Pump delivers insufficient capacity	<ol style="list-style-type: none"> <li>1. Incorrect voltage.</li> <li>4. Excessive inflow or pump not properly sized for application.</li> <li>5. Discharge restricted.</li> <li>6. Check valve stuck closed or installed backwards.</li> <li>7. Shut-off valve closed.</li> <li>8. Impeller jammed or loose on shaft, worn or damaged, impeller cavity or inlet plugged.</li> <li>9. Pump may be airlocked.</li> <li>10. Pump running backwards</li> </ol>	<ol style="list-style-type: none"> <li>3. Make sure liquid level is at least equal to suggested turn-on point.</li> <li>4. Recheck all sizing calculations to determine proper pump size.</li> <li>5. Check discharge line for restrictions, including ice if line passes through or into cold areas.</li> <li>6. Remove and examine check valve for proper installation and freedom of operation.</li> <li>7. Open valve.</li> </ol>
Pump cycles too frequently or runs periodically when fixtures are not in use	<ol style="list-style-type: none"> <li>6. Check valve stuck closed or installed backwards.</li> <li>11. Fixtures are leaking.</li> <li>15. Ground water entering basin.</li> </ol>	<ol style="list-style-type: none"> <li>8. Check impeller for freedom of operation, security and condition. Clean impeller and inlet of any obstruction.</li> <li>9. Loosen union slightly to allow trapped air to escape. Verify that turn-off level of switch is set so that the suction is always flooded. Clean vent hole.</li> </ol>
Pump shuts off and turns on independent of switch, (trips thermal overload protector). <b>CAUTION!</b> Pump may start unexpectedly. Disconnect power supply.	<ol style="list-style-type: none"> <li>1. Incorrect voltage.</li> <li>4. Excessive inflow or pump not properly sized for application.</li> <li>8. Impeller jammed, loose on shaft, worn or damaged, impeller cavity or inlet plugged.</li> <li>12. Excessive water temperature. (internal protection only)</li> </ol>	<ol style="list-style-type: none"> <li>10. Check rotation. If power supply is three phase, reverse any two of three power supply leads to ensure proper impeller rotation..</li> <li>11. Repair fixtures as required to eliminate leakage.</li> </ol>
Pump operates noisily or vibrates excessively	<ol style="list-style-type: none"> <li>2c. Worn bearings, motor shaft bent.</li> <li>5. Debris in impeller cavity or broken impeller</li> <li>10. Pump running backwards</li> <li>13. Piping attachments to building structure too rigid or too loose.</li> </ol>	<ol style="list-style-type: none"> <li>12. Check pump temperature limits &amp; fluid temperature.</li> <li>13. Replace portion of discharge pipe with flexible connector.</li> <li>14. Turn to automatic position.</li> <li>15. Check for leaks around basin inlet and outlets.</li> </ol>

# Cross Section

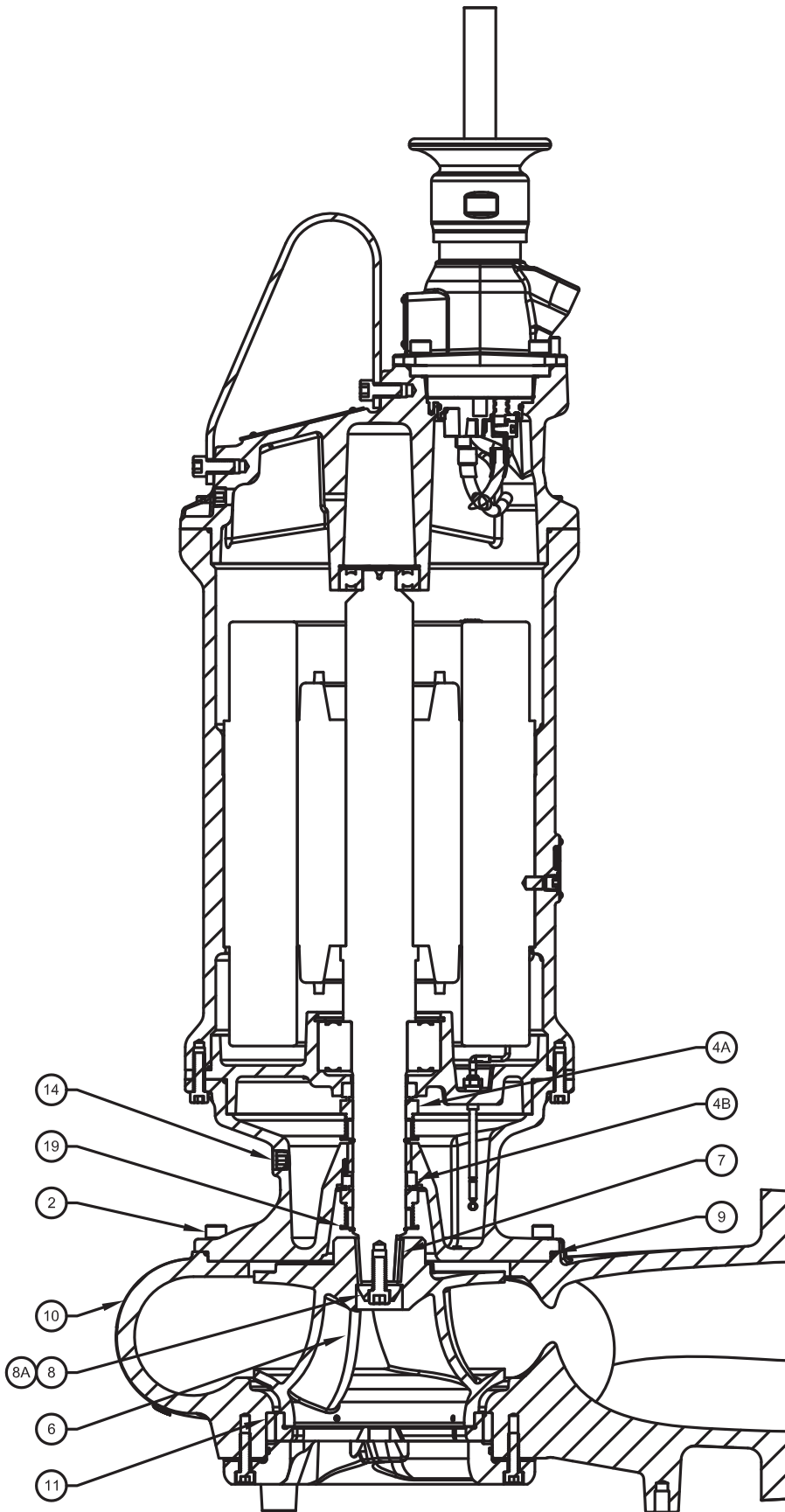


FIGURE 9

# Exploded View

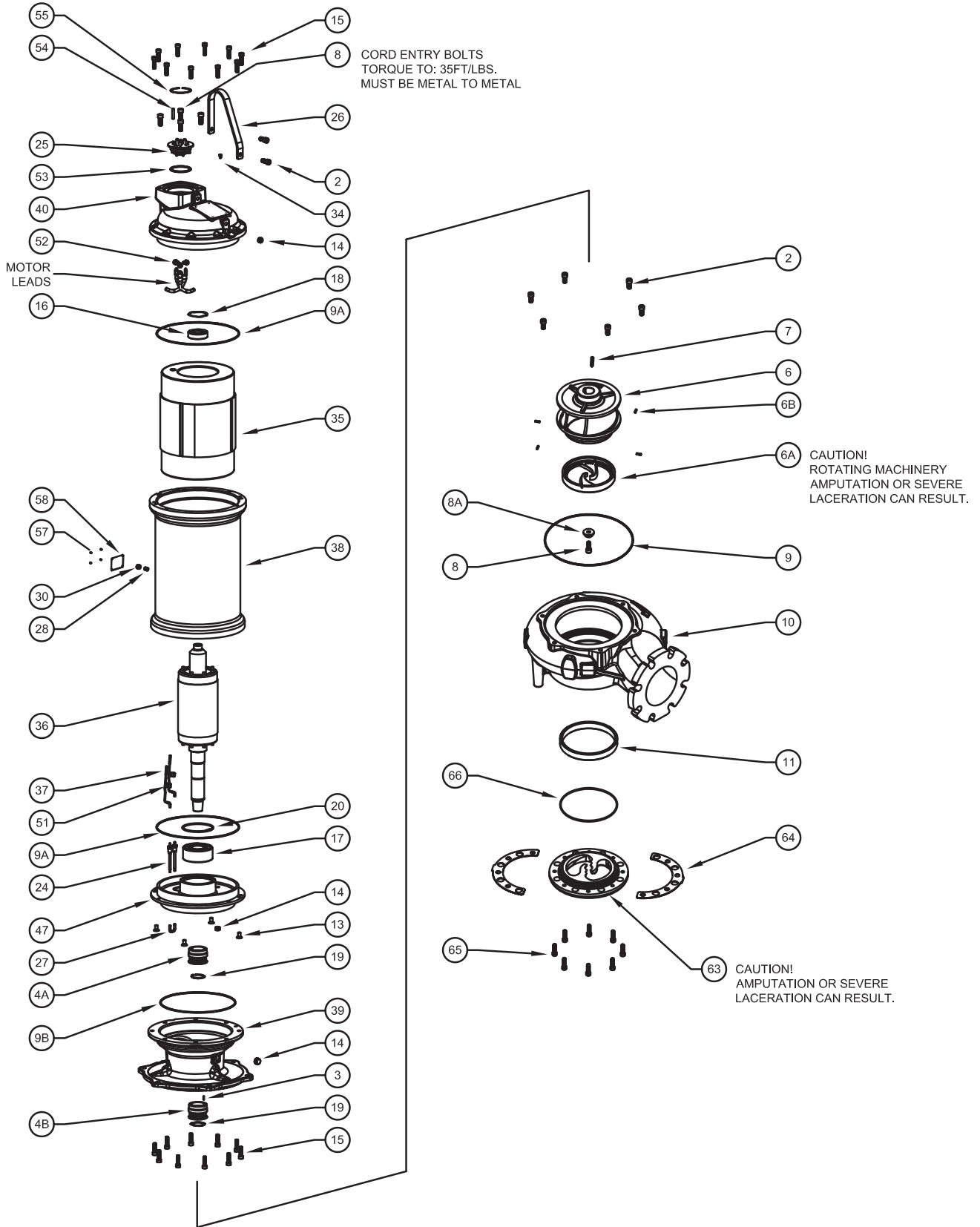


FIGURE 10

# PARTS LIST

<b>Rotor Kit</b> .....	<b>See Table on Page 39</b>	(◇) 36
<b>Stator Kit</b> .....	<b>See Table on Page 39</b>	(≈) 28, 30, 35, 38, 52, 58, 62
<b>Seal Kit</b> .....	<b>See Table on Page 37</b>	(+) 4A, 4B, 7, 9, 9A, 9B, 19, 53, 56
<b>Bearing Kit</b> .....	<b>p/n 138578DN</b>	(●) 16, 17, 18, 20
<b>Hardware Kit</b> .....	<b>p/n 138617DN</b>	(♦) 2, 8, 8A, 13, 15, 34, 52
<b>Volute Kit</b> .....	<b>See Table on Page 27</b>	(■) 10, 11, 62
<b>Seal Plate Kit</b> .....	<b>See Table on Page 27</b>	(‡) 3, 14, 39, 62
<b>Bearing Bracket Kit</b> .....	<b>p/n 138612DN</b>	(□) 14, 47, 62
<b>Terminal Block Kit</b> .....	<b>p/n 140611DN</b>	(§) 25, 52, 53, 54, 55
<b>Moisture Sensor Kit</b> .....	<b>p/n 138612DN</b>	(-) 24, 27, 37, 51
<b>Slicer Blade Attachment Kit</b> .....	<b>See Table on Page 40</b>	(○) 7, 8, 8A
<b>Motor Cap Kit</b> .....	<b>p/n 139237DN</b>	(£) 14, 34, 40, 57, 62
<b>Leg Kit</b> .....	<b>See Table on Page 38</b>	
<b>Removeable Cord Assy</b> .....	<b>See Table on Page 26</b>	(β) 8, 56, 59, 62
<b>Cord Attachment Kit</b> .....	<b>p/n 140152-32</b>	(π) 8, 56
<b>Slicer Blade Kit</b> .....	<b>See Table on Page 25</b>	(∂) 6, 6A, 6B
<b>Shim Kit</b> .....	<b>See Table on Page 28</b>	(Δ) 64
<b>Striker Plate Kit</b> .....	<b>See Table on Page 28</b>	(Σ) 63, 64, 65, 66
<b>Striker Shell Kit</b> .....	<b>See Table on Page 28</b>	(△) 62, 63, 64, 65, 66
<b>Striker Hardware Kit</b> .....	<b>See Table on Page 28</b>	(∩) 65, 66
<b>Striker O-Ring Stock Kit</b> .....	<b>p/n 142635D</b>	(▲) 66

ITEM	QTY	PART NO.		DESCRIPTION	MATERIAL
2	8	127223	◆	Screw, SHCS, M12 x 1.75 x 25	300 SS
3	1	127248	‡	Pin, Spring, .125 Dia. x .50" LG, SS	420 SS
4A	1	129900	+	Seal, Mech-type 21, 1.875"	C/CE/B
4B	1	129900SD	+	Seal, Mech-type 21, 1.875"	SC/SC/B
6	1	See Table		∂ Impeller	Ductile Iron
6A	1	See Table		∂ Slicer Blade	Stainless 440C
6B	4	See Table		∂ Slicer Pins	Stainless 400
7	1	Q21-20-J8	+	○ Key, 1/4 x 1/4 x 1 1/2", 303 SS	303 SS
8	5	136284	◆	○ βπ Screw, SHCS, M12 x 1.75 x 30	18-8 SS
8A	1	136233	◆	○ Washer, Impeller, .50 x 1.50	18-8 SS
9	1	See Table	+	O-Ring (Volute)	Buna-N
9A	2	125857-295	+	O-Ring, M3 x 295mm, 70 DURO	Buna-N
9B	2	125857-265	+	O-Ring, M3 x 265, 70 DURO	Buna-N
10	1	See Table	■	△ Volute	Cast Iron
11	1	See Table	■	△ Wear Ring (Volute)	Bronze
13	4	125850	◆	Screw, SFHCS, M10 x 1.5 x 20	18-8 SS
14	3	014270-SS	‡□	£ Plug, Pipe, .375-18NPT, C'Sunk	300 SS
15	28	131147	◆	Screw, SHCS, M10 x 1.5 x 35, SS	ASTM A193
16	1	127274	●	Bearing, Ball, 6306	
17	1	51939	●	Bearing, Ball, 3310-A	
18	1	127271	●	Washer, Spring, Wavy, 72mm, STL	Carbon Steel
19	2	130063	+	Ring, Retaining, EXT, 5100-187-HPH	SS
20	1	130073	●	Ring, Retaining, 5000-433-H, SS	SS
24	2	125856	-	Sensor, Moisture, .250-18NPT, AMP	PP / SS
25	1	138175	§	Block, Terminal, 9 Pin, Male	Valox/Brass
26	1	138550	Single Sale	Handle, Lifting, SS	304 SS
27	1	127267	-	Resistor, Moisture, Sensor	
28	1	138545	≈	Pin, Dowel, 7/16" D, 5/8" LG	AISI 1020
30	1	127269	≈	Plug, Pipe, .250-18 NPT, SS	300 SS
34	1	125855	◆	£ Screw, SHCS, M5 x .8 x 8, SS	300 SS
35	1	See Chart	≈	Stator	
36	1	See Chart	◇	Rotor	
37	2	127234	-	Wire, Jumper, Blue, 24" Bar/Bar	
38	1	130711	≈	Housing, Motor, Lower, 280Fr	Class 30 CI

# PARTS LIST

ITEM	QTY	PART NO.			DESCRIPTION	MATERIAL
39	1	See Chart	‡		Plate, Seal	Ductile Iron
40	1	138180		£	Cap, Motor	Class 30 CI
47	1	130713	■		Bracket, Bearing, 28Fr	Class 30 CI
51	2	134013		-	Connector, Wire, Clip	PC
52	3	138542	≈ ♦	§	Screw, SHCS/SF, M8 x 1.25 x 12	Steel
53	1	625-01551	+	§	O-Ring, 2-232, Buna-N, 70 Duro	Buna-N
54	1	138547		§	Pin, Dowel, .313" x 1.25" LG, SS	18-8 SS
55	1	138549		§	Ring, Retaining, Terminal Block	Steel
56	1	2-31003-248	+	βπ	O-Ring, Cord, Attachment	Buna-N
57	4	1628		£	Rivet, Name Plate	300 SS
58	1	127266S	≈		Plate, Model	SS
59	1	See Table		β	Cord	See Table
60	2	39462			Tie, Cable, Self-clinching	
61		29034	No Resale		Oil Fill	Oil
62		088932	≈ ■‡■	£β	Paint	
63	1	See Table		∑Δ	Striker Plate	Stainless 440C
64	*	See Table		Δ∑Δ	Shims	
65	**	131147		∑Δ∩	Striker Plate Screw, SHCS, M10 x 1.5 x 35	18-8 Stainless Steel
66	1	See Table		∑Δ∩▲	Striker, O-Ring, Buna-N, 70 Duro	Buna-N

**NOTES:**

\* Quantity dependent on Blade clearance, nominal is 0.09 Shim Stack, with 0.003 gap between Blade and Plate.

\*\* See Table for quantity.

SH Pump 'Plug and Play' (Removeable) Cord Assemblies			
Part No.	Length (feet)	Cord Size	Cord O.D.
138317XF	50	8/4 - 18/4	1.12in ± .02in (28.4mm ± .5mm)
138317XJ	75	8/4 - 18/4	1.12in ± .02in (28.4mm ± .5mm)
138317XL	100	8/4 - 18/4	1.12in ± .02in (28.4mm ± .5mm)
138318XF	50	6/4 - 18/4	1.14in ± .03in (28.9mm ± .8mm)
138318XJ	75	6/4 - 18/4	1.14in ± .03in (28.9mm ± .8mm)
138318XL	100	6/4 - 18/4	1.14in ± .03in (28.9mm ± .8mm)
138319XF	50	2/4 - 18/4	1.47in ± .03in (37.3mm ± .8mm)
138319XJ	75	2/4 - 18/4	1.47in ± .03in (37.3mm ± .8mm)
138319XL	100	2/4 - 18/4	1.47in ± .03in (37.3mm ± .8mm)
138320XF	50	0/4 - 18/5	1.72in ± .03in (43.7mm ± .8mm) .47in ± .02in (12mm ± .5mm)
138320XJ	75	0/4 - 18/5	1.72in ± .03in (43.7mm ± .8mm) .47in ± .02in (12mm ± .5mm)
138320XL	100	0/4 - 18/5	1.72in ± .03in (43.7mm ± .8mm) .47in ± .02in (12mm ± .5mm)

\* All Assemblies include cord, grommets, and housing in a potted assembly.

<b>Removeable Cord Attachment Kit includes:</b>
<ul style="list-style-type: none"> <li>• O-ring Cord</li> <li>• Attachment Bolts</li> </ul>



<b>Volute Pilot Diameter (AFTER JAN.-2019)</b>							
<b>Model</b>	<b>Seal Plate Size</b>	<b>Volute P/N</b>	<b>Volute Kit</b>	<b>Seal Plate P/N</b>	<b>Seal Plate Kit</b>	<b>Wear Ring P/N</b>	<b>Volute O-Ring P/N</b>
3MA	208mm	Not Available in 4 Frame					
4M	208mm						
4ML	240mm						
4MM	305mm	129995S	129995SK-D-KIT	130709P	138590DN	141582	125857-295
4MB	370mm	127254S	127254SK-D-KIT	130688P	138591DN	141581	125857-360
4MH	370mm	127254S	127254SK-D-KIT	130708P	138591DN	141581	125857-360
4MHA	370mm	137226S	137226SK-D-KIT	130708P	138591DN	141582	125857-360
4D	208mm	Not Available in 4 Frame					
4DM	240mm						
4DH	370mm	143624S	143264SK-D-KIT	130708P	138591DN	142102	125857-360
6ML	370mm	130830S	130830SK-1D-KIT	130708P	138591DN	142102	125857-360
6MM	370mm	130830S	130830SK-1D-KIT	130708P	138591DN	142102	125857-360
6MH	370mm	130830S	130830SK-1D-KIT	130708P	138591DN	142102	125857-360
6DL	305mm	138110S	138110SK-D-KIT	130709P	138590DN	141586	125857-295
6D	370mm	143338S	143338SK-D-KIT	130708P	138591DN	143475	125857-360
8D	305mm	143415S	143415SK-D-KIT	130709P	138590DN	143438	125857-295
8T	370mm	143414S	143414SK-D-KIT	130708P	138591DN	143438	125857-360
10DL	465mm	143484S	143484SK-D-KIT	138558	140151DN	143486	M-6614
10DH	370mm	143483S	143483SK-D-KIT	130708P	138591DN	143486	125857-360
<b>Volute Pilot Diameter (BEFORE FEB.-2019)</b>							
4DH	370mm	127254S	127254SK-D-KIT	130708P	138591DN	141581	125857-360
6D	370mm	130830S	130830SK-2D-KIT	130708P	138591DN	142134	125857-360

**Striker Kits (AFTER JAN.-2019)**

Model	Plate Flange Size	Striker Shell Kit	Striker Plate Kit	Shim Kit	Striker Hardware Kit	Kit Component Info (Ref. ONLY)			Striker Plate Screw Qty.
						Striker Plate	Striker Plate O-Ring	Striker Plate Shims	
3MA	3 INCH								
4M	4 INCH								
4ML	4 INCH								
4MM	4 INCH	129995SK-D-ASSY-KIT							
4MB	4 INCH	127254SK-D-ASSY-KIT	142125D-ASSY-KIT	142157D-KIT	142633-4D-KIT	142125	142174-259	142157-002 (RED) 142157-004 (TAN) 142157-010 (BROWN) 142157-025 (WHITE) 142157-060 (CLEAR)	8
4MH	4 INCH								
4MHA	4 INCH	137226SK-D-ASSY-KIT							
4D	4 INCH								
4DM	5 INCH								
4DH	6 INCH	143264SK-D-ASSY-KIT	143265-D-ASSY-KIT			143265			
6ML	6 INCH								
6MM	6 INCH	130830SK1D-ASSY-KIT	141585D-ASSY-KIT	142158D-KIT	142633-6D-KIT	141585	142174-265	142158-002 (RED) 142158-004 (TAN) 142158-010 (BROWN) 142158-025 (WHITE) 142158-060 (CLEAR)	8
6MH	6 INCH								
6DL	6 INCH	138110SK-D-ASSY-KIT							
6D	6 INCH	143338SK-D-ASSY-KIT	143339D-ASSY-KIT	143551D-KIT	142633-8D-KIT	143339	142174-371	143551-002 (RED) 143551-004 (TAN) 143551-010 (BROWN) 143551-025 (WHITE) 143551-060 (CLEAR)	8
8D	10 INCH	143415SK-D-ASSY-KIT							
8T	10 INCH	143414SK-D-ASSY-KIT	143411D-ASSY-KIT	143465D-KIT	142633-10D-KIT	143411	142174-378	143465-002 (RED) 143465-004 (TAN) 143465-010 (BROWN) 143465-025 (WHITE) 143465-060 (CLEAR)	12
10DL	12 INCH	143484SK-D-ASSY-KIT							
10DH	12 INCH	143483SK-D-ASSY-KIT	143472D-ASSY-KIT	143487D-KIT	142633-12D-KIT	143472	142174-455	143487-002 (RED) 143487-004 (TAN) 143487-010 (BROWN) 143487-025 (WHITE) 143487-060 (CLEAR)	12

**Striker Kits (BEFORE FEB.-2019)**

4DH	4 INCH	127254SK-D-ASSY-KIT	142125D-ASSY-KIT	142157D-KIT	142633-4D-KIT	142125	142174-259	142157-002 (RED) 142157-004 (TAN) 142157-010 (BROWN) 142157-025 (WHITE) 142157-060 (CLEAR)	8
6D	6 INCH	130830SK2D-ASSY-KIT	141585D-ASSY-KIT	142158D-KIT	142633-6D-KIT	141585	142174-265	142158-002 (RED) 142158-004 (TAN) 142158-010 (BROWN) 142158-025 (WHITE) 142158-060 (CLEAR)	8

CURRENT DESIGN (AFTER JAN.-2019)				
Model	Striker Plate Flange Size	Striker O-ring Stock Kit	Shim Stock Kit	Spacing Kit
3MA	3 INCH	Not Available in 4 Frame		
4M	4 INCH			
4ML	4 INCH			
4MM	4 INCH			
4MB	4 INCH	142635D	142157D-STK-KIT	142634
4MH	4 INCH			
4MHA	4 INCH			
4D	4 INCH			
4DM	5 INCH	Not Available in 4 Frame		
4DH	6 INCH			
6ML	6 INCH	142635D	142158D-STK-KIT	142634
6MM	6 INCH			
6MH	6 INCH			
6DL	6 INCH			
6D	8 INCH		143551D-STK-KIT	
8D	10 INCH			
8T	10 INCH			
10DL	12 INCH			
10DH	12 INCH	143465D-STK-KIT		
			143487D-STK-KIT	
PREVIOUS DESIGN (BEFORE FEB.-2019)				
4DH	4 INCH	142635D	142157D-STK-KIT	142634
6D	6 INCH		142158D-STK-KIT	

Striker Plate Kit includes:
<ul style="list-style-type: none"> <li>• Striker Plate</li> <li>• O-ring (Plate)</li> <li>• M10 Bolts (qty. per table)</li> <li>• Shim Kit</li> </ul>

Striker Shell Kit includes:
<ul style="list-style-type: none"> <li>• Striker Plate Kit</li> <li>• Volute Kit</li> </ul>

Striker Hardware Kit includes:
<ul style="list-style-type: none"> <li>• M10 Bolts (qty. per table)</li> <li>• O-ring (Plate)</li> </ul>

Spacing Kit includes:
<ul style="list-style-type: none"> <li>• Level 4 Cut proof Gloves</li> <li>• Spacer Gage</li> </ul>

Striker O-ring Stock Kit includes:
<ul style="list-style-type: none"> <li>• Small O-ring (4 inch Plate)</li> <li>• Medium O-ring (5 inch Plate)</li> <li>• Large O-ring (6 inch Plate)</li> <li>• XLarge O-ring (8 inch Plate) (qty. 2)</li> <li>• XX-Large O-ring (10 inch Plate)(qty. 4)</li> <li>• XXX-Large O-ring (12 inch Plate)(qty. 4)</li> </ul>

Shim Kit includes:
<ul style="list-style-type: none"> <li>• 0.002" Shims (4)</li> <li>• 0.004" Shims (4)</li> <li>• 0.010" Shims (4)</li> <li>• 0.025" Shims (2)</li> <li>• 0.060" Shims (2)</li> <li>• Level 4 Cut proof Gloves</li> <li>• Spacer Gage</li> </ul>

Shim Stock Kit includes:
<ul style="list-style-type: none"> <li>• 0.002" Shims (12)</li> <li>• 0.004" Shims (12)</li> <li>• 0.010" Shims (12)</li> <li>• 0.025" Shims (8)</li> <li>• 0.060" Shims (6)</li> </ul>

"4MM = D" Impeller						
Trim Dia. mm (in)	Ductile Iron Slicer Blade Kit	Nihard Slicer Blade Kit	Kit Component Info (Ref. ONLY)			
			Ductile Iron Part No.	Nihard Part No.	Blade	Pin
295mm (11.61in)	127262-ASSY-KIT	143275-ASSY-KIT	127262-C	143275-C	142124	142133-0750
290mm (11.42in)	127262TA-ASSY-KIT	143275TA-ASSY-KIT	127262TA-C	143275TA-C	142124	142133-0750
285mm (11.22in)	127262TB-ASSY-KIT	143275TB-ASSY-KIT	127262TB-C	143275TB-C	142124	142133-0750
280mm (11.02in)	127262TC-ASSY-KIT	143275TC-ASSY-KIT	127262TC-C	143275TC-C	142124	142133-0750
275mm (10.83in)	127262TD-ASSY-KIT	143275TD-ASSY-KIT	127262TD-C	143275TD-C	142124	142133-0750
270mm (10.63in)	127262TE-ASSY-KIT	143275TE-ASSY-KIT	127262TE-C	143275TE-C	142124	142133-0750
265mm (10.43in)	127262TF-ASSY-KIT	143275TF-ASSY-KIT	127262TF-C	143275TF-C	142124	142133-0750
260mm (10.24in)	127262TG-ASSY-KIT	143275TG-ASSY-KIT	127262TG-C	143275TG-C	142124	142133-0750
255mm (10.04in)	127262TH-ASSY-KIT	143275TH-ASSY-KIT	127262TH-C	143275TH-C	142124	142133-0750
250mm (9.84in)	127262TJ-ASSY-KIT	143275TJ-ASSY-KIT	127262TJ-C	143275TJ-C	142124	142133-0750
245mm (9.65in)	127262TK-ASSY-KIT	143275TK-ASSY-KIT	127262TK-C	143275TK-C	142124	142133-0750
240mm (9.45in)	127262TL-ASSY-KIT	143275TL-ASSY-KIT	127262TL-C	143275TL-C	142124	142133-0750
235mm (9.25in)	127262TM-ASSY-KIT	143275TM-ASSY-KIT	127262TM-C	143275TM-C	142124	142133-0750
230mm (9.06in)	127262TN-ASSY-KIT	143275TN-ASSY-KIT	127262TN-C	143275TN-C	142124	142133-0750
225mm (8.86in)	127262TP-ASSY-KIT	143275TP-ASSY-KIT	127262TP-C	143275TP-C	142124	142133-0750

"4MH = E" Impeller						
Trim Dia. mm (in)	Ductile Iron Slicer Blade Kit	Nihard Slicer Blade Kit	Kit Component Info (Ref. ONLY)			
			Ductile Iron Part No.	Nihard Part No.	Blade	Pin
370mm (14.57in)	127261-ASSY-KIT	143274-ASSY-KIT	127261-C	143274-C	142124	142133-0750
365mm (14.37in)	127261TA-ASSY-KIT	143274TA-ASSY-KIT	127261TA-C	143274TA-C	142124	142133-0750
360mm (14.17in)	127261TB-ASSY-KIT	143274TB-ASSY-KIT	127261TB-C	143274TB-C	142124	142133-0750
355mm (13.98in)	127261TC-ASSY-KIT	143274TC-ASSY-KIT	127261TC-C	143274TC-C	142124	142133-0750
350mm (13.78in)	127261TD-ASSY-KIT	143274TD-ASSY-KIT	127261TD-C	143274TD-C	142124	142133-0750
345mm (13.58in)	127261TE-ASSY-KIT	143274TE-ASSY-KIT	127261TE-C	143274TE-C	142124	142133-0750
340mm (13.39in)	127261TF-ASSY-KIT	143274TF-ASSY-KIT	127261TF-C	143274TF-C	142124	142133-0750
335mm (13.19in)	127261TG-ASSY-KIT	143274TG-ASSY-KIT	127261TG-C	143274TG-C	142124	142133-0750
330mm (12.99in)	127261TH-ASSY-KIT	143274TH-ASSY-KIT	127261TH-C	143274TH-C	142124	142133-0750
325mm (12.80in)	127261TJ-ASSY-KIT	143274TJ-ASSY-KIT	127261TJ-C	143274TJ-C	142124	142133-0750
320mm (12.60in)	127261TK-ASSY-KIT	143274TK-ASSY-KIT	127261TK-C	143274TK-C	142124	142133-0750
315mm (12.40in)	127261TL-ASSY-KIT	143274TL-ASSY-KIT	127261TL-C	143274TL-C	142124	142133-0750
310mm (12.21in)	127261TM-ASSY-KIT	143274TM-ASSY-KIT	127261TM-C	143274TM-C	142124	142133-0750
305mm (12.01in)	127261TN-ASSY-KIT	143274TN-ASSY-KIT	127261TN-C	143274TN-C	142124	142133-0750
300mm (11.81in)	127261TP-ASSY-KIT	143274TP-ASSY-KIT	127261TP-C	143274TP-C	142124	142133-0750
295mm (11.61in)	127261TR-ASSY-KIT	143274TR-ASSY-KIT	127261TR-C	143274TR-C	142124	142133-0750
290mm (11.42in)	127261TS-ASSY-KIT	143274TS-ASSY-KIT	127261TS-C	143274TS-C	142124	142133-0750

"6MM = H" Impeller						
Trim Dia. mm (in)	Ductile Iron Slicer Blade Kit	Nihard Slicer Blade Kit	Kit Component Info (Ref. ONLY)			
			Ductile Iron Part No.	Nihard Part No.	Blade	Pin
315mm (12.40in)	130826A-ASSY-KIT	143280-ASSY-KIT	130826A-C	143280-C	142128	142141-0625
310mm (12.21in)	130826ATA-ASSY-KIT	143280TA-ASSY-KIT	130826ATA-C	143280TA-C	142128	142141-0625
305mm (12.01in)	130826ATB-ASSY-KIT	143280TB-ASSY-KIT	130826ATB-C	143280TB-C	142128	142141-0625
300mm (11.81in)	130826ATC-ASSY-KIT	143280TC-ASSY-KIT	130826ATC-C	143280TC-C	142128	142141-0625
295mm (11.61in)	130826ATD-ASSY-KIT	143280TD-ASSY-KIT	130826ATD-C	143280TD-C	142128	142141-0625
290mm (11.42in)	130826ATE-ASSY-KIT	143280TE-ASSY-KIT	130826ATE-C	143280TE-C	142128	142141-0625
285mm (11.22in)	130826ATF-ASSY-KIT	143280TF-ASSY-KIT	130826ATF-C	143280TF-C	142128	142141-0625
280mm (11.02in)	130826ATG-ASSY-KIT	143280TG-ASSY-KIT	130826ATG-C	143280TG-C	142128	142141-0625
275mm (10.83in)	130826ATH-ASSY-KIT	143280TH-ASSY-KIT	130826ATH-C	143280TH-C	142128	142141-0625
270mm (10.63in)	130826ATJ-ASSY-KIT	143280TJ-ASSY-KIT	130826ATJ-C	143280TJ-C	142128	142141-0625
265mm (10.43in)	130826ATK-ASSY-KIT	143280TK-ASSY-KIT	130826ATK-C	143280TK-C	142128	142141-0625
260mm (10.24in)	130826ATL-ASSY-KIT	143280TL-ASSY-KIT	130826ATL-C	143280TL-C	142128	142141-0625
255mm (10.04in)	130826ATM-ASSY-KIT	143280TM-ASSY-KIT	130826ATM-C	143280TM-C	142128	142141-0625

"6MH = J" Impeller						
Trim Dia. mm (in)	Ductile Iron Slicer Blade Kit	Nihard Slicer Blade Kit	Kit Component Info (Ref. ONLY)			
			Ductile Iron Part No.	Nihard Part No.	Blade	Pin
370mm (14.57in)	130826-ASSY-KIT	143279-ASSY-KIT	130826-C	143279-C	142128	142141-0625
365mm (14.37in)	130826TA-ASSY-KIT	143279TA-ASSY-KIT	130826TA-C	143279TA-C	142128	142141-0625
360mm (14.17in)	130826TB-ASSY-KIT	143279TB-ASSY-KIT	130826TB-C	143279TB-C	142128	142141-0625
355mm (13.98in)	130826TC-ASSY-KIT	143279TC-ASSY-KIT	130826TC-C	143279TC-C	142128	142141-0625
350mm (13.78in)	130826TD-ASSY-KIT	143279TD-ASSY-KIT	130826TD-C	143279TD-C	142128	142141-0625
345mm (13.58in)	130826TE-ASSY-KIT	143279TE-ASSY-KIT	130826TE-C	143279TE-C	142128	142141-0625
340mm (13.39in)	130826TF-ASSY-KIT	143279TF-ASSY-KIT	130826TF-C	143279TF-C	142128	142141-0625
335mm (13.19in)	130826TG-ASSY-KIT	143279TG-ASSY-KIT	130826TG-C	143279TG-C	142128	142141-0625
330mm (12.99in)	130826TH-ASSY-KIT	143279TH-ASSY-KIT	130826TH-C	143279TH-C	142128	142141-0625
325mm (12.80in)	130826TJ-ASSY-KIT	143279TJ-ASSY-KIT	130826TJ-C	143279TJ-C	142128	142141-0625
320mm (12.60in)	130826TK-ASSY-KIT	143279TK-ASSY-KIT	130826TK-C	143279TK-C	142128	142141-0625
315mm (12.40in)	130826TL-ASSY-KIT	143279TL-ASSY-KIT	130826TL-C	143279TL-C	142128	142141-0625
310mm (12.21in)	130826TM-ASSY-KIT	143279TM-ASSY-KIT	130826TM-C	143279TM-C	142128	142141-0625

"6ML = N" Impeller						
Trim Dia. mm (in)	Ductile Iron Slicer Blade Kit	Nihard Slicer Blade Kit	Kit Component Info (Ref. ONLY)			
			Ductile Iron Part No.	Nihard Part No.	Blade	Pin
260mm (10.24in)	130826B-ASSY-KIT	143281-ASSY-KIT	130826B-C	143281-C	142128	142141-0625
255mm (10.04in)	130826BTA-ASSY-KIT	143281TA-ASSY-KIT	130826BTA-C	143281TA-C	142128	142141-0625
250mm (9.84in)	130826BTB-ASSY-KIT	143281TB-ASSY-KIT	130826BTB-C	143281TB-C	142128	142141-0625
245mm (9.65in)	130826BTC-ASSY-KIT	143281TC-ASSY-KIT	130826BTC-C	143281TC-C	142128	142141-0625
240mm (9.45in)	130826BTD-ASSY-KIT	143281TD-ASSY-KIT	130826BTD-C	143281TD-C	142128	142141-0625
235mm (9.25in)	130826BTE-ASSY-KIT	143281TE-ASSY-KIT	130826BTE-C	143281TE-C	142128	142141-0625
230mm (9.06in)	130826BTF-ASSY-KIT	143281TF-ASSY-KIT	130826BTF-C	143281TF-C	142128	142141-0625
225mm (8.86in)	130826BTG-ASSY-KIT	143281TG-ASSY-KIT	130826BTG-C	143281TG-C	142128	142141-0625
220mm (8.66in)	130826BTH-ASSY-KIT	143281TH-ASSY-KIT	130826BTH-C	143281TH-C	142128	142141-0625
215mm (8.47in)	130826BTJ-ASSY-KIT	143281TJ-ASSY-KIT	130826BTJ-C	143281TJ-C	142128	142141-0625
210mm (8.27in)	130826BTK-ASSY-KIT	143281TK-ASSY-KIT	130826BTK-C	143281TK-C	142128	142141-0625
205mm (8.07in)	130826BTL-ASSY-KIT	143281TL-ASSY-KIT	130826BTL-C	143281TL-C	142128	142141-0625
200mm (7.87in)	130826BTM-ASSY-KIT	143281TM-ASSY-KIT	130826BTM-C	143281TM-C	142128	142141-0625

"4DH = I" Impeller (AFTER JAN.-2019)						
Trim Dia. mm (in)	Ductile Iron Slicer Blade Kit	Nihard Slicer Blade Kit	Kit Component Info (Ref. ONLY)			
			Ductile Iron Part No.	Nihard Part No.	Blade	Pin
370mm (14.57in)	144218-ASSY-KIT	144219-ASSY-KIT	144218-C	144219-C	143266	142141-1000
365mm (14.37in)	144218TA-ASSY-KIT	144219TA-ASSY-KIT	144218TA-C	144219TA-C	143266	142141-1000
360mm (14.17in)	144218TB-ASSY-KIT	144219TB-ASSY-KIT	144218TB-C	144219TB-C	143266	142141-1000
355mm (13.98in)	144218TC-ASSY-KIT	144219TC-ASSY-KIT	144218TC-C	144219TC-C	143266	142141-1000
350mm (13.78in)	144218TD-ASSY-KIT	144219TD-ASSY-KIT	144218TD-C	144219TD-C	143266	142141-1000
345mm (13.58in)	144218TE-ASSY-KIT	144219TE-ASSY-KIT	144218TE-C	144219TE-C	143266	142141-1000
340mm (13.39in)	144218TF-ASSY-KIT	144219TF-ASSY-KIT	144218TF-C	144219TF-C	143266	142141-1000
335mm (13.19in)	144218TG-ASSY-KIT	144219TG-ASSY-KIT	144218TG-C	144219TG-C	143266	142141-1000
330mm (12.99in)	144218TH-ASSY-KIT	144219TH-ASSY-KIT	144218TH-C	144219TH-C	143266	142141-1000
325mm (12.80in)	144218TJ-ASSY-KIT	144219TJ-ASSY-KIT	144218TJ-C	144219TJ-C	143266	142141-1000
320mm (12.60in)	144218TK-ASSY-KIT	144219TK-ASSY-KIT	144218TK-C	144219TK-C	143266	142141-1000
315mm (12.40in)	144218TL-ASSY-KIT	144219TL-ASSY-KIT	144218TL-C	144219TL-C	143266	142141-1000
310mm (12.21in)	144218TM-ASSY-KIT	144219TM-ASSY-KIT	144218TM-C	144219TM-C	143266	142141-1000
305mm (12.01in)	144218TN-ASSY-KIT	144219TN-ASSY-KIT	144218TN-C	144219TN-C	143266	142141-1000
300mm (11.81in)	144218TP-ASSY-KIT	144219TP-ASSY-KIT	144218TP-C	144219TP-C	143266	142141-1000
295mm (11.61in)	144218TR-ASSY-KIT	144219TR-ASSY-KIT	144218TR-C	144219TR-C	143266	142141-1000
290mm (11.42in)	144218TS-ASSY-KIT	144219TS-ASSY-KIT	144218TS-C	144219TS-C	143266	142141-1000
285mm (11.22in)	144218TT-ASSY-KIT	144219TT-ASSY-KIT	144218TT-C	144219TT-C	143266	142141-1000
280mm (11.02in)	144218TU-ASSY-KIT	144219TU-ASSY-KIT	144218TU-C	144219TU-C	143266	142141-1000
275mm (10.83in)	144218TV-ASSY-KIT	144219TV-ASSY-KIT	144218TV-C	144219TV-C	143266	142141-1000
270mm (10.63in)	144218TW-ASSY-KIT	144219TW-ASSY-KIT	144218TW-C	144219TW-C	143266	142141-1000
265mm (10.43in)	144218TX-ASSY-KIT	144219TX-ASSY-KIT	144218TX-C	144219TX-C	143266	142141-1000
260mm (10.24in)	144218TY-ASSY-KIT	144219TY-ASSY-KIT	144218TY-C	144219TY-C	143266	142141-1000
255mm (10.04in)	144218TZ-ASSY-KIT	144219TZ-ASSY-KIT	144218TZ-C	144219TZ-C	143266	142141-1000
250mm (9.84in)	144218TAA-ASSY-KIT	144219TAA-ASSY-KIT	144218TAA-C	144219TAA-C	143266	142141-1000
245mm (9.65in)	144218TAB-ASSY-KIT	144219TAB-ASSY-KIT	144218TAB-C	144219TAB-C	143266	142141-1000
240mm (9.45in)	144218TAC-ASSY-KIT	144219TAC-ASSY-KIT	144218TAC-C	144219TAC-C	143266	142141-1000
235mm (9.25in)	144218TAD-ASSY-KIT	144219TAD-ASSY-KIT	144218TAD-C	144219TAD-C	143266	142141-1000
230mm (9.06in)	144218TAE-ASSY-KIT	144219TAE-ASSY-KIT	144218TAE-C	144219TAE-C	143266	142141-1000
"4DH = I" Impeller (BEFORE FEB.-2019)						
370mm (14.57in)	129993-ASSY-KIT	143278-ASSY-KIT	129993-C	143278-C	142126	142133-0688
365mm (14.37in)	129993TA-ASSY-KIT	143278TA-ASSY-KIT	129993TA-C	143278TA-C	142126	142133-0688
360mm (14.17in)	129993TB-ASSY-KIT	143278TB-ASSY-KIT	129993TB-C	143278TB-C	142126	142133-0688
355mm (13.98in)	129993TC-ASSY-KIT	143278TC-ASSY-KIT	129993TC-C	143278TC-C	142126	142133-0688
350mm (13.78in)	129993TD-ASSY-KIT	143278TD-ASSY-KIT	129993TD-C	143278TD-C	142126	142133-0688
345mm (13.58in)	129993TE-ASSY-KIT	143278TE-ASSY-KIT	129993TE-C	143278TE-C	142126	142133-0688
340mm (13.39in)	129993TF-ASSY-KIT	143278TF-ASSY-KIT	129993TF-C	143278TF-C	142126	142133-0688
335mm (13.19in)	129993TG-ASSY-KIT	143278TG-ASSY-KIT	129993TG-C	143278TG-C	142126	142133-0688
330mm (12.99in)	129993TH-ASSY-KIT	143278TH-ASSY-KIT	129993TH-C	143278TH-C	142126	142133-0688
325mm (12.80in)	129993TJ-ASSY-KIT	143278TJ-ASSY-KIT	129993TJ-C	143278TJ-C	142126	142133-0688
320mm (12.60in)	129993TK-ASSY-KIT	143278TK-ASSY-KIT	129993TK-C	143278TK-C	142126	142133-0688
315mm (12.40in)	129993TL-ASSY-KIT	143278TL-ASSY-KIT	129993TL-C	143278TL-C	142126	142133-0688
310mm (12.21in)	129993TM-ASSY-KIT	143278TM-ASSY-KIT	129993TM-C	143278TM-C	142126	142133-0688
305mm (12.01in)	129993TN-ASSY-KIT	143278TN-ASSY-KIT	129993TN-C	143278TN-C	142126	142133-0688
300mm (11.81in)	129993TP-ASSY-KIT	143278TP-ASSY-KIT	129993TP-C	143278TP-C	142126	142133-0688
295mm (11.61in)	129993TR-ASSY-KIT	143278TR-ASSY-KIT	129993TR-C	143278TR-C	142126	142133-0688
290mm (11.42in)	129993TS-ASSY-KIT	143278TS-ASSY-KIT	129993TS-C	143278TS-C	142126	142133-0688
285mm (11.22in)	129993TT-ASSY-KIT	143278TT-ASSY-KIT	129993TT-C	143278TT-C	142126	142133-0688
280mm (11.02in)	129993TU-ASSY-KIT	143278TU-ASSY-KIT	129993TU-C	143278TU-C	142126	142133-0688
275mm (10.83in)	129993TV-ASSY-KIT	143278TV-ASSY-KIT	129993TV-C	143278TV-C	142126	142133-0688
270mm (10.63in)	129993TW-ASSY-KIT	143278TW-ASSY-KIT	129993TW-C	143278TW-C	142126	142133-0688
265mm (10.43in)	129993TX-ASSY-KIT	143278TX-ASSY-KIT	129993TX-C	143278TX-C	142126	142133-0688
260mm (10.24in)	129993TY-ASSY-KIT	143278TY-ASSY-KIT	129993TY-C	143278TY-C	142126	142133-0688
255mm (10.04in)	129993TZ-ASSY-KIT	143278TZ-ASSY-KIT	129993TZ-C	143278TZ-C	142126	142133-0688
250mm (9.84in)	129993TAA-ASSY-KIT	143278TAA-ASSY-KIT	129993TAA-C	143278TAA-C	142126	142133-0688
245mm (9.65in)	129993TAB-ASSY-KIT	143278TAB-ASSY-KIT	129993TAB-C	143278TAB-C	142126	142133-0688
240mm (9.45in)	129993TAC-ASSY-KIT	143278TAC-ASSY-KIT	129993TAC-C	143278TAC-C	142126	142133-0688
235mm (9.25in)	129993TAD-ASSY-KIT	143278TAD-ASSY-KIT	129993TAD-C	143278TAD-C	142126	142133-0688
230mm (9.06in)	129993TAE-ASSY-KIT	143278TAE-ASSY-KIT	129993TAE-C	143278TAE-C	142126	142133-0688



"6D = K" Impeller (AFTER JAN.-2019)						
Trim Dia. mm (in)	Ductile Iron Slicer Blade Kit	Nihard Slicer Blade Kit	Kit Component Info (Ref. ONLY)			
			Ductile Iron Part No.	Nihard Part No.	Blade	Pin
370mm (14.57in)	144216-ASSY-KIT	144217-ASSY-KIT	144216-C	144217-C	143340	143491-1125
365mm (14.37in)	144216TA-ASSY-KIT	144217TA-ASSY-KIT	144216TA-C	144217TA-C	143340	143491-1125
360mm (14.17in)	144216TB-ASSY-KIT	144217TB-ASSY-KIT	144216TB-C	144217TB-C	143340	143491-1125
355mm (13.98in)	144216TC-ASSY-KIT	144217TC-ASSY-KIT	144216TC-C	144217TC-C	143340	143491-1125
350mm (13.78in)	144216TD-ASSY-KIT	144217TD-ASSY-KIT	144216TD-C	144217TD-C	143340	143491-1125
345mm (13.58in)	144216TE-ASSY-KIT	144217TE-ASSY-KIT	144216TE-C	144217TE-C	143340	143491-1125
340mm (13.39in)	144216TF-ASSY-KIT	144217TF-ASSY-KIT	144216TF-C	144217TF-C	143340	143491-1125
330mm (12.99in)	144216TH-ASSY-KIT	144217TG-ASSY-KIT	144216TH-C	144217TG-C	143340	143491-1125
325mm (12.80in)	144216TJ-ASSY-KIT	144217TH-ASSY-KIT	144216TJ-C	144217TH-C	143340	143491-1125
320mm (12.60in)	144216TK-ASSY-KIT	144217TJ-ASSY-KIT	144216TK-C	144217TJ-C	143340	143491-1125
315mm (12.40in)	144216TL-ASSY-KIT	144217TK-ASSY-KIT	144216TL-C	144217TK-C	143340	143491-1125
310mm (12.21in)	144216TM-ASSY-KIT	144217TL-ASSY-KIT	144216TM-C	144217TL-C	143340	143491-1125
305mm (12.01in)	144216TN-ASSY-KIT	144217TM-ASSY-KIT	144216TN-C	144217TM-C	143340	143491-1125
300mm (11.81in)	144216TP-ASSY-KIT	144217TN-ASSY-KIT	144216TP-C	144217TN-C	143340	143491-1125
295mm (11.61in)	144216TQ-ASSY-KIT	144217TP-ASSY-KIT	144216TQ-C	144217TP-C	143340	143491-1125
290mm (11.42in)	144216TR-ASSY-KIT	144217TQ-ASSY-KIT	144216TR-C	144217TQ-C	143340	143491-1125
285mm (11.22in)	144216TS-ASSY-KIT	144217TR-ASSY-KIT	144216TS-C	144217TR-C	143340	143491-1125
280mm (11.02in)	144216TT-ASSY-KIT	144217TS-ASSY-KIT	144216TT-C	144217TS-C	143340	143491-1125
275mm (10.83in)	144216TU-ASSY-KIT	144217TT-ASSY-KIT	144216TU-C	144217TT-C	143340	143491-1125
270mm (10.63in)	144216TV-ASSY-KIT	144217TU-ASSY-KIT	144216TV-C	144217TU-C	143340	143491-1125
265mm (10.43in)	144216TW-ASSY-KIT	144217TV-ASSY-KIT	144216TW-C	144217TV-C	143340	143491-1125
260mm (10.24in)	144216TX-ASSY-KIT	144217TW-ASSY-KIT	144216TX-C	144217TW-C	143340	143491-1125
255mm (10.04in)	144216TY-ASSY-KIT	144217TX-ASSY-KIT	144216TY-C	144217TX-C	143340	143491-1125
250mm (9.84in)	144216TZ-ASSY-KIT	144217TY-ASSY-KIT	144216TZ-C	144217TY-C	143340	143491-1125
245mm (9.65in)	144216UA-ASSY-KIT	144217TZ-ASSY-KIT	144216UA-C	144217TZ-C	143340	143491-1125
240mm (9.45in)	144216UB-ASSY-KIT	144217UA-ASSY-KIT	144216UB-C	144217UA-C	143340	143491-1125
235mm (9.25in)	144216UC-ASSY-KIT	144217UB-ASSY-KIT	144216UC-C	144217UB-C	143340	143491-1125
230mm (9.05in)	144216UD-ASSY-KIT	144217UC-ASSY-KIT	144216UD-C	144217UC-C	143340	143491-1125
"6D = K" Impeller (BEFORE FEB.-2019)						
370mm (14.57in)	130827-ASSY-KIT	143282-ASSY-KIT	130827-C	143282-C	142132	142141-1125
365mm (14.37in)	130827TA-ASSY-KIT	143282TA-ASSY-KIT	130827TA-C	143282TA-C	142132	142141-1125
360mm (14.17in)	130827TB-ASSY-KIT	143282TB-ASSY-KIT	130827TB-C	143282TB-C	142132	142141-1125
355mm (13.98in)	130827TC-ASSY-KIT	143282TC-ASSY-KIT	130827TC-C	143282TC-C	142132	142141-1125
350mm (13.78in)	130827TD-ASSY-KIT	143282TD-ASSY-KIT	130827TD-C	143282TD-C	142132	142141-1125
345mm (13.58in)	130827TE-ASSY-KIT	143282TE-ASSY-KIT	130827TE-C	143282TE-C	142132	142141-1125
340mm (13.39in)	130827TF-ASSY-KIT	143282TF-ASSY-KIT	130827TF-C	143282TF-C	142132	142141-1125
330mm (12.99in)	130827TH-ASSY-KIT	143282TG-ASSY-KIT	130827TH-C	143282TG-C	142132	142141-1125
325mm (12.80in)	130827TJ-ASSY-KIT	143282TH-ASSY-KIT	130827TJ-C	143282TH-C	142132	142141-1125
320mm (12.60in)	130827TK-ASSY-KIT	143282TJ-ASSY-KIT	130827TK-C	143282TJ-C	142132	142141-1125
315mm (12.40in)	130827TL-ASSY-KIT	143282TK-ASSY-KIT	130827TL-C	143282TK-C	142132	142141-1125
310mm (12.21in)	130827TM-ASSY-KIT	143282TL-ASSY-KIT	130827TM-C	143282TL-C	142132	142141-1125
305mm (12.01in)	130827TN-ASSY-KIT	143282TM-ASSY-KIT	130827TN-C	143282TM-C	142132	142141-1125
300mm (11.81in)	130827TP-ASSY-KIT	143282TN-ASSY-KIT	130827TP-C	143282TN-C	142132	142141-1125
295mm (11.61in)	130827TQ-ASSY-KIT	143282TP-ASSY-KIT	130827TQ-C	143282TP-C	142132	142141-1125
290mm (11.42in)	130827TR-ASSY-KIT	143282TQ-ASSY-KIT	130827TR-C	143282TQ-C	142132	142141-1125
285mm (11.22in)	130827TS-ASSY-KIT	143282TR-ASSY-KIT	130827TS-C	143282TR-C	142132	142141-1125
280mm (11.02in)	130827TT-ASSY-KIT	143282TS-ASSY-KIT	130827TT-C	143282TS-C	142132	142141-1125
275mm (10.83in)	130827TU-ASSY-KIT	143282TT-ASSY-KIT	130827TU-C	143282TT-C	142132	142141-1125
270mm (10.63in)	130827TV-ASSY-KIT	143282TU-ASSY-KIT	130827TV-C	143282TU-C	142132	142141-1125
265mm (10.43in)	130827TW-ASSY-KIT	143282TV-ASSY-KIT	130827TW-C	143282TV-C	142132	142141-1125
260mm (10.24in)	130827TX-ASSY-KIT	143282TW-ASSY-KIT	130827TX-C	143282TW-C	142132	142141-1125
255mm (10.04in)	130827TY-ASSY-KIT	143282TX-ASSY-KIT	130827TY-C	143282TX-C	142132	142141-1125
250mm (9.84in)	130827TZ-ASSY-KIT	143282TY-ASSY-KIT	130827TZ-C	143282TY-C	142132	142141-1125
245mm (9.65in)	130827UA-ASSY-KIT	143282TZ-ASSY-KIT	130827UA-C	143282TZ-C	142132	142141-1125
240mm (9.45in)	130827UB-ASSY-KIT	143282UA-ASSY-KIT	130827UB-C	143282UA-C	142132	142141-1125
235mm (9.25in)	130827UC-ASSY-KIT	143282UB-ASSY-KIT	130827UC-C	143282UB-C	142132	142141-1125
230mm (9.05in)	130827UD-ASSY-KIT	143282UC-ASSY-KIT	130827UD-C	143282UC-C	142132	142141-1125

"8T = M" Impeller						
Trim Dia. mm (in)	Ductile Iron Slicer Blade Kit	Nihard Slicer Blade Kit	Kit Component Info (Ref. ONLY)			
			Ductile Iron Part No.	Nihard Part No.	Blade	Pin
370mm (14.57in)	130829-ASSY-KIT	143284-ASSY-KIT	130829-C	143284-C	143412	143491-1000
365mm (14.37in)	130829TA-ASSY-KIT	143284TA-ASSY-KIT	130829TA-C	143284TA-C	143412	143491-1000
360mm (14.17in)	130829TB-ASSY-KIT	143284TB-ASSY-KIT	130829TB-C	143284TB-C	143412	143491-1000
355mm (14.00in)	130829TC-ASSY-KIT	143284TC-ASSY-KIT	130829TC-C	143284TC-C	143412	143491-1000
350mm (13.78in)	130829TD-ASSY-KIT	143284TD-ASSY-KIT	130829TD-C	143284TD-C	143412	143491-1000
345mm (13.58in)	130829TE-ASSY-KIT	143284TE-ASSY-KIT	130829TE-C	143284TE-C	143412	143491-1000
340mm (13.38in)	130829TF-ASSY-KIT	143284TF-ASSY-KIT	130829TF-C	143284TF-C	143412	143491-1000
335mm (13.19in)	130829TG-ASSY-KIT	143284TG-ASSY-KIT	130829TG-C	143284TG-C	143412	143491-1000
330mm (12.99in)	130829TH-ASSY-KIT	143284TH-ASSY-KIT	130829TH-C	143284TH-C	143412	143491-1000
325mm (12.79in)	130829TJ-ASSY-KIT	143284TJ-ASSY-KIT	130829TJ-C	143284TJ-C	143412	143491-1000
320mm (12.59in)	130829TK-ASSY-KIT	143284TK-ASSY-KIT	130829TK-C	143284TK-C	143412	143491-1000
315mm (12.40in)	130829TL-ASSY-KIT	143284TL-ASSY-KIT	130829TL-C	143284TL-C	143412	143491-1000
310mm (12.20in)	130829TM-ASSY-KIT	143284TM-ASSY-KIT	130829TM-C	143284TM-C	143412	143491-1000
305mm (12.00in)	130829TN-ASSY-KIT	143284TN-ASSY-KIT	130829TN-C	143284TN-C	143412	143491-1000
300mm (11.81in)	130829TP-ASSY-KIT	143284TP-ASSY-KIT	130829TP-C	143284TP-C	143412	143491-1000
295mm (11.61in)	130829TR-ASSY-KIT	143284TR-ASSY-KIT	130829TR-C	143284TR-C	143412	143491-1000
290mm (11.42in)	130829TS-ASSY-KIT	143284TS-ASSY-KIT	130829TS-C	143284TS-C	143412	143491-1000
285mm (11.22in)	130829TT-ASSY-KIT	143284TT-ASSY-KIT	130829TT-C	143284TT-C	143412	143491-1000
280mm (11.02in)	130829TU-ASSY-KIT	143284TU-ASSY-KIT	130829TU-C	143284TU-C	143412	143491-1000
275mm (10.83in)	130829TV-ASSY-KIT	143284TV-ASSY-KIT	130829TV-C	143284TV-C	143412	143491-1000
270mm (10.63in)	130829TW-ASSY-KIT	143284TW-ASSY-KIT	130829TW-C	143284TW-C	143412	143491-1000
265mm (10.43in)	130829TX-ASSY-KIT	143284TX-ASSY-KIT	130829TX-C	143284TX-C	143412	143491-1000
260mm (10.24in)	130829TY-ASSY-KIT	143284TY-ASSY-KIT	130829TY-C	143284TY-C	143412	143491-1000
255mm (10.04in)	130829TZ-ASSY-KIT	143284TZ-ASSY-KIT	130829TZ-C	143284TZ-C	143412	143491-1000
250mm (9.84in)	130829UA-ASSY-KIT	143284UA-ASSY-KIT	130829UA-C	143284UA-C	143412	143491-1000

"6DL = O" Impeller						
Trim Dia. mm (in)	Ductile Iron Slicer Blade Kit	Nihard Slicer Blade Kit	Kit Component Info (Ref. ONLY)			
			Ductile Iron Part No.	Nihard Part No.	Blade	Pin
225mm (8.86in)	138104S-ASSY-KIT	143292S-ASSY-KIT	138104S-C	143292S-C	141584	142141-0625
220mm (8.66in)	138104STA-ASSY-KIT	143292STA-ASSY-KIT	138104STA-C	143292STA-C	141584	142141-0625
215mm (8.47in)	138104STB-ASSY-KIT	143292STB-ASSY-KIT	138104STB-C	143292STB-C	141584	142141-0625
210mm (8.27in)	138104STC-ASSY-KIT	143292STC-ASSY-KIT	138104STC-C	143292STC-C	141584	142141-0625
205mm (8.07in)	138104STD-ASSY-KIT	143292STD-ASSY-KIT	138104STD-C	143292STD-C	141584	142141-0625
200mm (7.87in)	138104STE-ASSY-KIT	143292STE-ASSY-KIT	138104STE-C	143292STE-C	141584	142141-0625
195mm (7.68in)	138104STF-ASSY-KIT	143292STF-ASSY-KIT	138104STF-C	143292STF-C	141584	142141-0625
190mm (7.48in)	138104STG-ASSY-KIT	143292STG-ASSY-KIT	138104STG-C	143292STG-C	141584	142141-0625
185mm (7.28in)	138104STH-ASSY-KIT	143292STH-ASSY-KIT	138104STH-C	143292STH-C	141584	142141-0625
180mm (7.09in)	138104STJ-ASSY-KIT	143292STJ-ASSY-KIT	138104STJ-C	143292STJ-C	141584	142141-0625

"8D = U" Impeller						
Trim Dia. mm (in)	Ductile Iron Slicer Blade Kit	Nihard Slicer Blade Kit	Kit Component Info (Ref. ONLY)			
			Ductile Iron Part No.	Nihard Part No.	Blade	Pin
305mm (12.00in)	138102S-ASSY-KIT	143293S-ASSY-KIT	138102S-C	143293S-C	143413	143491-1125
300mm (11.81in)	138102STA-ASSY-KIT	143293STA-ASSY-KIT	138102STA-C	143293STA-C	143413	143491-1125
295mm (11.61in)	138102STB-ASSY-KIT	143293STB-ASSY-KIT	138102STB-C	143293STB-C	143413	143491-1125
290mm (11.42in)	138102STC-ASSY-KIT	143293STC-ASSY-KIT	138102STC-C	143293STC-C	143413	143491-1125
285mm (11.22in)	138102STD-ASSY-KIT	143293STD-ASSY-KIT	138102STD-C	143293STD-C	143413	143491-1125
280mm (11.02in)	138102STE-ASSY-KIT	143293STE-ASSY-KIT	138102STE-C	143293STE-C	143413	143491-1125
275mm (10.82in)	138102STF-ASSY-KIT	143293STF-ASSY-KIT	138102STF-C	143293STF-C	143413	143491-1125
270mm (10.63in)	138102STG-ASSY-KIT	143293STG-ASSY-KIT	138102STG-C	143293STG-C	143413	143491-1125
265mm (10.43in)	138102STH-ASSY-KIT	143293STH-ASSY-KIT	138102STH-C	143293STH-C	143413	143491-1125
260mm (10.24in)	138102STJ-ASSY-KIT	143293STJ-ASSY-KIT	138102STJ-C	143293STJ-C	143413	143491-1125
255mm (10.04in)	138102STK-ASSY-KIT	143293STK-ASSY-KIT	138102STK-C	143293STK-C	143413	143491-1125
250mm (9.84in)	138102STL-ASSY-KIT	143293STL-ASSY-KIT	138102STL-C	143293STL-C	143413	143491-1125
245mm (9.64in)	138102STM-ASSY-KIT	143293STM-ASSY-KIT	138102STM-C	143293STM-C	143413	143491-1125
240mm (9.45in)	138102STN-ASSY-KIT	143293STN-ASSY-KIT	138102STN-C	143293STN-C	143413	143491-1125
235mm (9.25in)	138102STP-ASSY-KIT	143293STP-ASSY-KIT	138102STP-C	143293STP-C	143413	143491-1125
230mm (9.05in)	138102STQ-ASSY-KIT	143293STQ-ASSY-KIT	138102STQ-C	143293STQ-C	143413	143491-1125

"10DH = W" Impeller						
Trim Dia. mm (in)	Ductile Iron Slicer Blade Kit	Nihard Slicer Blade Kit	Kit Component Info (Ref. ONLY)			
			Ductile Iron Part No.	Nihard Part No.	Blade	Pin
360mm (14.17in)	138100S-ASSY-KIT	143295S-ASSY-KIT	138100S-C	143295S-C	143473	143491-1125
355mm (13.98in)	138100STA-ASSY-KIT	143295STA-ASSY-KIT	138100STA-C	143295STA-C	143473	143491-1125
350mm (13.78in)	138100STB-ASSY-KIT	143295STB-ASSY-KIT	138100STB-C	143295STB-C	143473	143491-1125
345mm (13.58in)	138100STC-ASSY-KIT	143295STC-ASSY-KIT	138100STC-C	143295STC-C	143473	143491-1125
340mm (13.39in)	138100STD-ASSY-KIT	143295STD-ASSY-KIT	138100STD-C	143295STD-C	143473	143491-1125
335mm (13.19in)	138100STE-ASSY-KIT	143295STE-ASSY-KIT	138100STE-C	143295STE-C	143473	143491-1125
330mm (12.99in)	138100STF-ASSY-KIT	143295STF-ASSY-KIT	138100STF-C	143295STF-C	143473	143491-1125
325mm (12.80in)	138100STG-ASSY-KIT	143295STG-ASSY-KIT	138100STG-C	143295STG-C	143473	143491-1125
320mm (12.60in)	138100STH-ASSY-KIT	143295STH-ASSY-KIT	138100STH-C	143295STH-C	143473	143491-1125
315mm (12.40in)	138100STJ-ASSY-KIT	143295STJ-ASSY-KIT	138100STJ-C	143295STJ-C	143473	143491-1125
310mm (12.20in)	138100STK-ASSY-KIT	143295STK-ASSY-KIT	138100STK-C	143295STK-C	143473	143491-1125
305mm (12.00in)	138100STL-ASSY-KIT	143295STL-ASSY-KIT	138100STL-C	143295STL-C	143473	143491-1125
300mm (11.81in)	138100STM-ASSY-KIT	143295STM-ASSY-KIT	138100STM-C	143295STM-C	143473	143491-1125
295mm (11.61in)	138100STN-ASSY-KIT	143295STN-ASSY-KIT	138100STN-C	143295STN-C	143473	143491-1125
290mm (11.42in)	138100STP-ASSY-KIT	143295STP-ASSY-KIT	138100STP-C	143295STP-C	143473	143491-1125

"4MHA = EA" Impeller						
Trim Dia. mm (in)	Ductile Iron Slicer Blade Kit	Nihard Slicer Blade Kit	Kit Component Info (Ref. ONLY)			
			Ductile Iron Part No.	Nihard Part No.	Blade	Pin
370mm (14.57in)	137225-ASSY-KIT	143289-ASSY-KIT	137225-C	143289-C	142126	142133-0750
365mm (14.37in)	137225TA-ASSY-KIT	143289TA-ASSY-KIT	137225TA-C	143289TA-C	142126	142133-0750
360mm (14.17in)	137225TB-ASSY-KIT	143289TB-ASSY-KIT	137225TB-C	143289TB-C	142126	142133-0750
355mm (13.98in)	137225TC-ASSY-KIT	143289TC-ASSY-KIT	137225TC-C	143289TC-C	142126	142133-0750
350mm (13.78in)	137225TD-ASSY-KIT	143289TD-ASSY-KIT	137225TD-C	143289TD-C	142126	142133-0750
345mm (13.58in)	137225TE-ASSY-KIT	143289TE-ASSY-KIT	137225TE-C	143289TE-C	142126	142133-0750
340mm (13.39in)	137225TF-ASSY-KIT	143289TF-ASSY-KIT	137225TF-C	143289TF-C	142126	142133-0750
335mm (13.19in)	137225TG-ASSY-KIT	143289TG-ASSY-KIT	137225TG-C	143289TG-C	142126	142133-0750
330mm (13.00in)	137225TH-ASSY-KIT	143289TH-ASSY-KIT	137225TH-C	143289TH-C	142126	142133-0750
325mm (12.80in)	137225TJ-ASSY-KIT	143289TJ-ASSY-KIT	137225TJ-C	143289TJ-C	142126	142133-0750
320mm (12.60in)	137225TK-ASSY-KIT	143289TK-ASSY-KIT	137225TK-C	143289TK-C	142126	142133-0750
315mm (12.40in)	137225TL-ASSY-KIT	143289TL-ASSY-KIT	137225TL-C	143289TL-C	142126	142133-0750
310mm (12.20in)	137225TM-ASSY-KIT	143289TM-ASSY-KIT	137225TM-C	143289TM-C	142126	142133-0750
305mm (12.01in)	137225TN-ASSY-KIT	143289TN-ASSY-KIT	137225TN-C	143289TN-C	142126	142133-0750
300mm (11.81in)	137225TP-ASSY-KIT	143289TP-ASSY-KIT	137225TP-C	143289TP-C	142126	142133-0750
295mm (11.61in)	137225TR-ASSY-KIT	143289TR-ASSY-KIT	137225TR-C	143289TR-C	142126	142133-0750
290mm (11.42in)	137225TS-ASSY-KIT	143289TS-ASSY-KIT	137225TS-C	143289TS-C	142126	142133-0750

"10DL = X" Impeller						
Trim Dia. mm (in)	Ductile Iron Slicer Blade Kit	Nihard Slicer Blade Kit	Kit Component Info (Ref. ONLY)			
			Ductile Iron Part No.	Nihard Part No.	Blade	Pin
455mm (17.91in)	138099S-ASSY-KIT	143296S-ASSY-KIT	138099S-C	143296S-C	143473	143491-1000
450mm (17.72in)	138099STA-ASSY-KIT	143296STA-ASSY-KIT	138099STA-C	143296STA-C	143473	143491-1000
445mm (17.52in)	138099STB-ASSY-KIT	143296STB-ASSY-KIT	138099STB-C	143296STB-C	143473	143491-1000
440mm (17.32in)	138099STC-ASSY-KIT	143296STC-ASSY-KIT	138099STC-C	143296STC-C	143473	143491-1000
435mm (17.13in)	138099STD-ASSY-KIT	143296STD-ASSY-KIT	138099STD-C	143296STD-C	143473	143491-1000
430mm (16.93in)	138099STE-ASSY-KIT	143296STE-ASSY-KIT	138099STE-C	143296STE-C	143473	143491-1000
425mm (16.73in)	138099STF-ASSY-KIT	143296STF-ASSY-KIT	138099STF-C	143296STF-C	143473	143491-1000
420mm (16.54in)	138099STG-ASSY-KIT	143296STG-ASSY-KIT	138099STG-C	143296STG-C	143473	143491-1000
415mm (16.34in)	138099STH-ASSY-KIT	143296STH-ASSY-KIT	138099STH-C	143296STH-C	143473	143491-1000
410mm (16.14in)	138099STJ-ASSY-KIT	143296STJ-ASSY-KIT	138099STJ-C	143296STJ-C	143473	143491-1000
405mm (15.94in)	138099STK-ASSY-KIT	143296STK-ASSY-KIT	138099STK-C	143296STK-C	143473	143491-1000
400mm (15.75in)	138099STL-ASSY-KIT	143296STL-ASSY-KIT	138099STL-C	143296STL-C	143473	143491-1000
395mm (15.55in)	138099STM-ASSY-KIT	143296STM-ASSY-KIT	138099STM-C	143296STM-C	143473	143491-1000
390mm (15.35in)	138099STN-ASSY-KIT	143296STN-ASSY-KIT	138099STN-C	143296STN-C	143473	143491-1000
385mm (15.16in)	138099STP-ASSY-KIT	143296STP-ASSY-KIT	138099STP-C	143296STP-C	143473	143491-1000
380mm (14.96in)	138099STQ-ASSY-KIT	143296STQ-ASSY-KIT	138099STQ-C	143296STQ-C	143473	143491-1000
375mm (14.76in)	138099STR-ASSY-KIT	143296STR-ASSY-KIT	138099STR-C	143296STR-C	143473	143491-1000
370mm (14.57in)	138099STS-ASSY-KIT	143296STS-ASSY-KIT	138099STS-C	143296STS-C	143473	143491-1000
365mm (14.37in)	138099STT-ASSY-KIT	143296STT-ASSY-KIT	138099STT-C	143296STT-C	143473	143491-1000
360mm (14.17in)	138099STU-ASSY-KIT	143296STU-ASSY-KIT	138099STU-C	143296STU-C	143473	143491-1000
355mm (13.98in)	138099STV-ASSY-KIT	143296STV-ASSY-KIT	138099STV-C	143296STV-C	143473	143491-1000
350mm (13.78in)	138099STW-ASSY-KIT	143296STW-ASSY-KIT	138099STW-C	143296STW-C	143473	143491-1000
345mm (13.58in)	138099STX-ASSY-KIT	143296STX-ASSY-KIT	138099STX-C	143296STX-C	143473	143491-1000
340mm (13.39in)	138099STY-ASSY-KIT	143296STY-ASSY-KIT	138099STY-C	143296STY-C	143473	143491-1000

"4MB = BA" Impeller						
Trim Dia. mm (in)	Ductile Iron Slicer Blade Kit	Nihard Slicer Blade Kit	Kit Component Info (Ref. ONLY)			
			Ductile Iron Part No.	Nihard Part No.	Blade	Pin
320mm (12.60in)	143593-ASSY-KIT	143594-ASSY-KIT	143593-ASSY	143594-ASSY	142124	142133-0688
315mm (12.40in)	143593TA-ASSY-KIT	143594TA-ASSY-KIT	143593TA-ASSY	143594TA-ASSY	142124	142133-0688
310mm (12.21in)	143593TB-ASSY-KIT	143594TB-ASSY-KIT	143593TB-ASSY	143594TB-ASSY	142124	142133-0688
305mm (12.01in)	143593TC-ASSY-KIT	143594TC-ASSY-KIT	143593TC-ASSY	143594TC-ASSY	142124	142133-0688
300mm (11.81in)	143593TD-ASSY-KIT	143594TD-ASSY-KIT	143593TD-ASSY	143594TD-ASSY	142124	142133-0688
295mm (11.61in)	143593TE-ASSY-KIT	143594TE-ASSY-KIT	143593TE-ASSY	143594TE-ASSY	142124	142133-0688
290mm (11.42in)	143593TF-ASSY-KIT	143594TF-ASSY-KIT	143593TF-ASSY	143594TF-ASSY	142124	142133-0688
285mm (11.22in)	143593TG-ASSY-KIT	143594TG-ASSY-KIT	143593TG-ASSY	143594TG-ASSY	142124	142133-0688
280mm (11.02in)	143593TH-ASSY-KIT	143594TH-ASSY-KIT	143593TH-ASSY	143594TH-ASSY	142124	142133-0688
275mm (10.82in)	143593TJ-ASSY-KIT	143594TJ-ASSY-KIT	143593TJ-ASSY	143594TJ-ASSY	142124	142133-0688
270mm (10.63in)	143593TK-ASSY-KIT	143594TK-ASSY-KIT	143593TK-ASSY	143594TK-ASSY	142124	142133-0688
265mm (10.43in)	143593TL-ASSY-KIT	143594TL-ASSY-KIT	143593TL-ASSY	143594TL-ASSY	142124	142133-0688
260mm (10.24in)	143593TM-ASSY-KIT	143594TM-ASSY-KIT	143593TM-ASSY	143594TM-ASSY	142124	142133-0688
255mm (10.04in)	143593TN-ASSY-KIT	143594TN-ASSY-KIT	143593TN-ASSY	143594TN-ASSY	142124	142133-0688
250mm (9.84in)	143593TP-ASSY-KIT	143594TP-ASSY-KIT	143593TP-ASSY	143594TP-ASSY	142124	142133-0688
245mm (9.64in)	143593TQ-ASSY-KIT	143594TQ-ASSY-KIT	143593TQ-ASSY	143594TQ-ASSY	142124	142133-0688
240mm (9.45in)	143593TR-ASSY-KIT	143594TR-ASSY-KIT	143593TR-ASSY	143594TR-ASSY	142124	142133-0688
235mm (9.25in)	143593TS-ASSY-KIT	143594TS-ASSY-KIT	143593TS-ASSY	143594TS-ASSY	142124	142133-0688
230mm (9.05in)	143593TT-ASSY-KIT	143594TT-ASSY-KIT	143593TT-ASSY	143594TT-ASSY	142124	142133-0688
225mm (8.86in)	143593TU-ASSY-KIT	143594TU-ASSY-KIT	143593TU-ASSY	143594TU-ASSY	142124	142133-0688
220mm (8.66in)	143593TV-ASSY-KIT	143594TV-ASSY-KIT	143593TV-ASSY	143594TV-ASSY	142124	142133-0688
215mm (8.47in)	143593TW-ASSY-KIT	143594TW-ASSY-KIT	143593TW-ASSY	143594TW-ASSY	142124	142133-0688
210mm (8.27in)	143593TX-ASSY-KIT	143594TX-ASSY-KIT	143593TX-ASSY	143594TX-ASSY	142124	142133-0688

**Slicer Blade Kit includes:**

- Impeller (Balanced, trimmed)
- Blade (Pressed)
- Attachment Pins (Pressed)

*(Components are Fully Assembled)*

**Slicer Blade Attachment Kit includes:**

- Impeller Washer
- Impeller Bolt
- Impeller Key



Seal Kits				
Seal Kit Part No.	I.B. Seal Part No.	I.B. Seal Material	O.B. Seal Part No.	O.B Seal Material
138635DN	129900	Carbon / Ceramic	129900	Carbon / Ceramic
138582DN (STD)	129900	Carbon / Ceramic	129900SD	Silicon Carbide / Silicon Carbide
138636DN	129900	Carbon / Ceramic	129900SB	Tungsten Carbide / Tungsten Carbide
138637DN	129900SD	Silicon Carbide / Silicon Carbide	129900SD	Silicon Carbide / Silicon Carbide
138638DN	129900SD	Silicon Carbide / Silicon Carbide	129900SB	Tungsten Carbide / Tungsten Carbide
138639DN	129900SB	Tungsten Carbide / Tungsten Carbide	129900SB	Tungsten Carbide / Tungsten Carbide

Seal Kit includes:
<ul style="list-style-type: none"> <li>• Volute O-Ring (option 1)</li> <li>• Volute O-Ring (option 2)</li> <li>• Volute O-Ring (option 3)</li> <li>• Volute O-Ring (option 4)</li> <li>• Volute O-Ring (option 5)</li> <li>• Seal Plate Upper O-ring</li> <li>• Stator Upper and Lower O-rings</li> <li>• Terminal Block O-ring</li> <li>• External Retaining Ring</li> <li>• Key</li> <li>• Upper Mechanical Seal</li> <li>• Lower Mechanical Seal</li> <li>• Cord Attachment O-ring</li> </ul>

**NOTE:** Kit contains hardware your pump may not require.

Bearing Kit includes:
<ul style="list-style-type: none"> <li>• Bearing Retaining Snap Ring</li> <li>• Large Ball Bearing</li> <li>• Small Ball Bearing</li> <li>• Wavy Spring Washer</li> </ul>

Bearing Bracket Kit includes:
<ul style="list-style-type: none"> <li>• Bearing Bracket (painted)</li> <li>• Large Pipe Plug</li> </ul>

Volute Kit includes:
<ul style="list-style-type: none"> <li>• Wear Ring (PRESSED)</li> <li>• Volute (painted)</li> </ul> <p><i>(Components are Fully Assembled)</i></p>

Seal Plate Kit includes:
<ul style="list-style-type: none"> <li>• Small Spring Pin</li> <li>• Large Pipe Plug</li> <li>• Seal Plate (painted)</li> </ul>

Terminal Block includes:
<ul style="list-style-type: none"> <li>• Terminal Block</li> <li>• Terminal Block O-Ring</li> <li>• Green Wire Jumper</li> <li>• Terminal Block Screw</li> </ul>

Moisture Sensor Kit includes:
<ul style="list-style-type: none"> <li>• 18" Orange Wire Jumper</li> <li>• 24" Blue Wire Jumper</li> <li>• Moisture Sensor Resistor</li> <li>• Moisture Sensor</li> <li>• 36" Orange Wire Jumper</li> <li>• Wire Connector Clip</li> <li>• 24" Orange Wire Jumper</li> </ul>

Hardware Kit includes:
<ul style="list-style-type: none"> <li>• Socket Head Cap Screws (for Housing)</li> <li>• Impeller Bolt and Washer Set</li> <li>• Flat Head Counter Sunk Screws (for Housing)</li> <li>• Socket Head Cap Screws (for Motor Cap)</li> <li>• Socket Head Cap Screws (for Seal Plate, Bearing Bracket and Volute)</li> <li>• Hex Washer Head Screw (for Moisture Sensor)</li> </ul>

Motor Cap Kit includes:
<ul style="list-style-type: none"> <li>• Motor Cap (painted)</li> </ul>

<b>Additional Components</b>			
<b>Component</b>	<b>Part No.</b>	<b>Single Sale</b>	<b>Kit</b>
Impeller	See Table	Yes	N/A
Wear Rings	See Table	Yes	Volute Kit, Volute Kit
Lifting Handle	138550	No	38550D-KIT
Pipe Plugs	014270-SS, 127269	Yes	Seal Plate Kit, Stator Kit, Bearing Bracket Kit
Wire Tie Cable	039462	Yes	Stator Kit
Nameplate	No Resale		
Nameplate/Model Plate Rivets	001628	No Resale	Rivet Kit (p/n 139398D)
Driver Assembly	Purchase: Stator Kit, Rotor Kit, Seal Kit, Bearing Kit, Bearing Bracket Kit, Hardware Kit, Seal Plate Kit, Terminal Block Kit		
Upper Motor Housing Cap	139236 (KIT)	Kit Only	Upper Motor Housing Kit
Overhaul Kit	Purchase Seal Kit and Hardware Kit		

<b>Leg Kits</b>		
<b>Model</b>	<b>Leg Kit Part No.</b>	<b>Leg Kit Height Inches (mm)</b>
3MA	125506	3.15 (80)
4M	125506	3.15 (80)
4D	125506	3.15 (80)
4ML	125506	3.15 (80)
4DM	125506	3.15 (80)
4MM	125506B	6.50 (165)
6DL	125506B	6.50 (165)
4MB	125506B	6.50 (165)
4MH	125506B	6.50 (165)
4MHA	125506B	6.50 (165)
4DH	125506B	6.50 (165)
6ML	125506B	6.50 (165)
6MM	125506B	6.50 (165)
6MH	125506B	6.50 (165)
6D	125506B	6.50 (165)
8D	125506B	6.50 (165)
8T	125506C	10.75 (273)
10DL	125506C	10.75 (273)
10DH	125506C	10.75 (273)

<b>Leg Kit includes:</b>
<ul style="list-style-type: none"> <li>• 3 Legs (painted)</li> <li>• attachment hardware</li> </ul>

Model No.	HP	Volt	1750 RPM		1150 RPM		870 RPM	
			Rotor Kit Part No.	Stator / Motor Housing Kit Part No.	Rotor Kit Part No.	Stator / Motor Housing Kit Part No.	Rotor Kit Part No.	Stator / Motor Housing Kit Part No.
7366N-___-39-32N	7.5	208-230	N/A	N/A	N/A	N/A		
7366N-___-1U-32N	7.5	460	N/A	N/A	N/A	N/A		
7366N-___-1V-32N	7.5	575	N/A	N/A	N/A	N/A		
7366N-___-37-32N	10.0	208-230	131988D	132064D	132917D	132935D	140157D	140175D
7366N-___-89-32N	10.0	460	N/A	N/A	N/A	N/A	140158D	140176D
7366N-___-98-32N	10.0	575	131989D	132065D	132918D	132936D	140159D	140177D
7366N-___-38-32N	15.0	208-230	131990D	132066D	132919D	132937D	140160D	140178D
7366N-___-90-32N	15.0	460	N/A	N/A	N/A	N/A	140161D	140179D
7366N-___-99-32N	15.0	575	131991D	132067D	132920D	132938D	140162D	140180D
7366N-___-16-32N	20.0	208	131998D	132074D	N/A	N/A	N/A	N/A
7366N-___-31-32N	20.0	208-230	138723D	138732D	132923D	132941D	140163D	140181D
7366N-___-91-32N	20.0	460	N/A	N/A	N/A	N/A	140164D	140182D
7366N-___-1A-32N	20.0	575	131993D	132069D	N/A	N/A	140165D	140183D
7366N-___-32-32N	25.0	208-230	131999D	132075D	132924D	132942D	140166D	140184D
7366N-___-92-32N	25.0	460	138724D	138737D	132925D	132943D	140167D	140185D
7366N-___-1B-32N	25.0	575	131995D	132071D	132926D	132944D	140168D	140186D
7366N-___-33-32N	30.0	208-230	138725D	138733D	132927D	132945D	140169D	140187D
7366N-___-93-32N	30.0	460	131996D	138736D	132928D	132946D	140170D	140188D
7366N-___-1C-32N	30.0	575	131997D	132073D	132929D	132947D	140171D	140189D
7366N-___-49-32N	40.0	230	132122D	132130D	138739D	132948D	N/A	N/A
7366N-___-64-32N	40.0	460	138727D	138734D	132931D	132949D	N/A	N/A
7366N-___-79-32N	40.0	575	138728D	132132D	132932D	132950D	N/A	N/A
7366N-___-65-32N	50.0	460	132000D	132076D	N/A	N/A	N/A	N/A
7366N-___-80-32N	50.0	575	132001D	132077D	N/A	N/A	N/A	N/A
7366N-___-66-32N	60.0	460	132002D	132078D	N/A	N/A	N/A	N/A
7366N-___-81-32N	60.0	575	132003D	132079D	N/A	N/A	N/A	N/A

<b>Rotor Kit includes:</b>
• Rotor

Example		
Model No.	Rotor Kit Part No.	Stator / Motor Housing Kit Part No.
7366N-411-16-32N	131998D	132074D

<b>Stator/Motor Housing Kit includes:</b>
<ul style="list-style-type: none"> <li>• Motor Housing (painted)</li> <li>• Stator</li> <li>• Dowel Pin (Replaces Pin Spring)</li> <li>• Small Pipe Plug</li> <li>• Motor Plate</li> <li>• Self-clinching Tie Cable</li> <li>• Model Plate Rivets</li> </ul>



Model	Rotor Kit	Stator Kit	Seal Kit	Bearing Kit	Volute Kit	Seal Plate Kit	Bear. Bkkt. Kit	Term. Block Kit	Hardw. Kit	Moist. Sensor Kit	Slicer Blade Attach. Kit	Motor Cap Kit	Leg Kit	Slicer Blade Kit	Shim Kit	Striker Plate Kit	Striker Shell Kit	Striker Hardware Kit
7366N-411-16-32N	131998	132074		138578DN	129995SK-D-KIT	138590DN	138612DN	140611DN	138617DN	138613DN	138614D	139237DN	125506B	127262TF-ASSY-KIT	142157D-KIT	142125D-ASSY-KIT	129995SK-D-ASSY-KIT	142633-4D-KIT
7366N-411-32-32N	131999	132075	*138582DN, 138635DN, 138636DN,	138578DN	129995SK-D-KIT	138590DN	138612DN	140611DN	138617DN	138613DN	138614D	139237DN	125506B	127262TD-ASSY-KIT	142157D-KIT	142125D-ASSY-KIT	129995SK-D-ASSY-KIT	142633-4D-KIT
7366N-411-33-32N	138725	138733	138637DN, 138638DN, 138639DN	138578DN	129995SK-D-KIT	138590DN	138612DN	140611DN	138617DN	138613DN	138614D	139237DN	125506B	127262TA-ASSY-KIT	142157D-KIT	142125D-ASSY-KIT	129995SK-D-ASSY-KIT	142633-4D-KIT
7366N-411-49-32N	132122	132130		138578DN	129995SK-D-KIT	138590DN	138612DN	140611DN	138617DN	138613DN	138614D	139237DN	125506B	127262ASSY-KIT	142157D-KIT	142125D-ASSY-KIT	129995SK-D-ASSY-KIT	142633-4D-KIT
7366N-411-64-32N	138727	138734		138578DN	129995SK-D-KIT	138590DN	138612DN	140611DN	138617DN	138613DN	138614D	139237DN	125506B	127262ASSY-KIT	142157D-KIT	142125D-ASSY-KIT	129995SK-D-ASSY-KIT	142633-4D-KIT
7366N-411-79-32N	138728	132132		138578DN	129995SK-D-KIT	138590DN	138612DN	140611DN	138617DN	138613DN	138614D	139237DN	125506B	127262ASSY-KIT	142157D-KIT	142125D-ASSY-KIT	129995SK-D-ASSY-KIT	142633-4D-KIT
7366-466-16-30N	131998	132074		138578DN	129995SK-D-KIT	138590DN	138612DN	140611DN	138617DN	138613DN	138614D	139237DN	125506B	127262ASSY-KIT	142157D-KIT	142125D-ASSY-KIT	129995SK-D-ASSY-KIT	142633-4D-KIT
7366-466-32-30N	131999	132075		138578DN	129995SK-D-KIT	138590DN	138612DN	140611DN	138617DN	138613DN	138614D	139237DN	125506B	127262ASSY-KIT	142157D-KIT	142125D-ASSY-KIT	129995SK-D-ASSY-KIT	142633-4D-KIT
7366-466-33-30N	138725	138733	*138582DN, 138635DN, 138636DN,	138578DN	129995SK-D-KIT	138590DN	138612DN	140611DN	138617DN	138613DN	138614D	139237DN	125506B	127262ASSY-KIT	142157D-KIT	142125D-ASSY-KIT	129995SK-D-ASSY-KIT	142633-4D-KIT
7366-466-49-30N	132122	132130	138637DN, 138638DN, 138639DN	138578DN	129995SK-D-KIT	138590DN	138612DN	140611DN	138617DN	138613DN	138614D	139237DN	125506B	127262ASSY-KIT	142157D-KIT	142125D-ASSY-KIT	129995SK-D-ASSY-KIT	142633-4D-KIT
7366-466-64-30N	138727	138734		138578DN	129995SK-D-KIT	138590DN	138612DN	140611DN	138617DN	138613DN	138614D	139237DN	125506B	127262ASSY-KIT	142157D-KIT	142125D-ASSY-KIT	129995SK-D-ASSY-KIT	142633-4D-KIT
7366-466-79-30N	138728	132132		138578DN	129995SK-D-KIT	138590DN	138612DN	140611DN	138617DN	138613DN	138614D	139237DN	125506B	127262ASSY-KIT	142157D-KIT	142125D-ASSY-KIT	129995SK-D-ASSY-KIT	142633-4D-KIT
7366-466-65-30N	132000	132076		138578DN	129995SK-D-KIT	138590DN	138612DN	140611DN	138617DN	138613DN	138614D	139237DN	125506B	127262ASSY-KIT	142157D-KIT	142125D-ASSY-KIT	129995SK-D-ASSY-KIT	142633-4D-KIT
7366-466-80-30N	132001	132077		138578DN	129995SK-D-KIT	138590DN	138612DN	140611DN	138617DN	138613DN	138614D	139237DN	125506B	127262ASSY-KIT	142157D-KIT	142125D-ASSY-KIT	129995SK-D-ASSY-KIT	142633-4D-KIT

\* NOTE: Standard part number. For more information see page 37.

Model	Rotor Kit	Stator Kit	Seal Kit	Bearing Kit	Volute Kit	Seal Plate Kit	Bear. Bkkt. Kit	Term. Block Kit	Hardw. Kit	Moist. Sensor Kit	Slicer Blade Attach. Kit	Motor Cap Kit	Leg Kit	Slicer Blade Kit	Shim Kit	Striker Plate Kit	Striker Shell Kit	Striker Hardware Kit
7366N-412-33-32N	132122	132130		138578DN	127254SK-D-KIT	138591DN	138612DN	140611DN	138617DN	138613DN	138614D	139237DN	125506B	127261TP-ASSY-KIT	142157D-KIT	142125D-ASSY-KIT	127254SK-D-ASSY-KIT	142633-4D-KIT
7366N-412-49-32N	132122	132130		138578DN	127254SK-D-KIT	138591DN	138612DN	140611DN	138617DN	138613DN	138614D	139237DN	125506B	127261TH-ASSY-KIT	142157D-KIT	142125D-ASSY-KIT	127254SK-D-ASSY-KIT	142633-4D-KIT
7366N-412-64-32N	138727	138734	*138582DN, 138635DN, 138636DN, 138637DN, 138638DN, 138639DN	138578DN	127254SK-D-KIT	138591DN	138612DN	140611DN	138617DN	138613DN	138614D	139237DN	125506B	127261TH-ASSY-KIT	142157D-KIT	142125D-ASSY-KIT	127254SK-D-ASSY-KIT	142633-4D-KIT
7366N-412-79-32N	138728	132132		138578DN	127254SK-D-KIT	138591DN	138612DN	140611DN	138617DN	138613DN	138614D	139237DN	125506B	127261TC-ASSY-KIT	142157D-KIT	142125D-ASSY-KIT	127254SK-D-ASSY-KIT	142633-4D-KIT
7366N-412-65-32N	132000	132076		138578DN	127254SK-D-KIT	138591DN	138612DN	140611DN	138617DN	138613DN	138614D	139237DN	125506B	127261TC-ASSY-KIT	142157D-KIT	142125D-ASSY-KIT	127254SK-D-ASSY-KIT	142633-4D-KIT
7366N-412-80-32N	132001	132077		138578DN	127254SK-D-KIT	138591DN	138612DN	140611DN	138617DN	138613DN	138614D	139237DN	125506B	127261TC-ASSY-KIT	142157D-KIT	142125D-ASSY-KIT	127254SK-D-ASSY-KIT	142633-4D-KIT
7366N-447-31-32N	132923	132941	*138582DN, 138635DN, 138636DN, 138637DN, 138638DN, 138639DN	138578DN	127254SK-D-KIT	138591DN	138612DN	140611DN	138617DN	138613DN	138614D	139237DN	125506B	127261-ASSY-KIT	142157D-KIT	142125D-ASSY-KIT	127254SK-D-ASSY-KIT	142633-4D-KIT
7366N-437-31-32N	132923	132941		138578DN	137226SK-D-KIT	138591DN	138612DN	140611DN	138617DN	138613DN	138614D	139237DN	125506B	137225TB-ASSY-KIT	142157D-KIT	142125D-ASSY-KIT	137226SK-D-ASSY-KIT	142633-4D-KIT
7366N-437-32-32N	132924	132942	*138582DN, 138635DN, 138636DN, 138637DN, 138638DN, 138639DN	138578DN	137226SK-D-KIT	138591DN	138612DN	140611DN	138617DN	138613DN	138614D	139237DN	125506B	137225-ASSY-KIT	142157D-KIT	142125D-ASSY-KIT	137226SK-D-ASSY-KIT	142633-4D-KIT
7366N-437-92-32N	132925	132943		138578DN	137226SK-D-KIT	138591DN	138612DN	140611DN	138617DN	138613DN	138614D	139237DN	125506B	137225-ASSY-KIT	142157D-KIT	142125D-ASSY-KIT	137226SK-D-ASSY-KIT	142633-4D-KIT
7366N-437-1B-32N	132926	132944		138578DN	137226SK-D-KIT	138591DN	138612DN	140611DN	138617DN	138613DN	138614D	139237DN	125506B	137225-ASSY-KIT	142157D-KIT	142125D-ASSY-KIT	137226SK-D-ASSY-KIT	142633-4D-KIT

\* NOTE: Standard part number. For more information see page 37.

**KIT PART NUMBERS (AFTER FEB.-2019)**

Model	Rotor Kit	Stator Kit	Seal Kit	Bearing Kit	Volute Kit	Seal Plate Kit	Bear. Brkt. Kit	Term. Block Kit	Hardw. Kit	Moist. Sensor Kit	Slicer Blade Attach. Kit	Motor Cap Kit	Leg Kit	Slicer Blade Kit	Shim Kit	Striker Plate Kit	Striker Shell Kit	Striker Hardware Kit
7366N-414-16-32N	131998	132074		138578DN	143264SK-D-KIT	138591DN	138612DN	140611DN	138617DN	138613DN	138614D	139237DN	125506B	144218TAD-ASSY-KIT	142158D-KIT	143265D-ASSY-KIT	143264SK-D-ASSY-KIT	142633-6D-KIT
7366N-414-32-32N	131999	132075		138578DN	143264SK-D-KIT	138591DN	138612DN	140611DN	138617DN	138613DN	138614D	139237DN	125506B	144218TAA-ASSY-KIT	142158D-KIT	143265D-ASSY-KIT	143264SK-D-ASSY-KIT	142633-6D-KIT
7366N-414-33-32N	138725	138733		138578DN	143264SK-D-KIT	138591DN	138612DN	140611DN	138617DN	138613DN	138614D	139237DN	125506B	144218TX-ASSY-KIT	142158D-KIT	143265D-ASSY-KIT	143264SK-D-ASSY-KIT	142633-6D-KIT
7366N-414-49-32N	132122	132130	*138582DN	138578DN	143264SK-D-KIT	138591DN	138612DN	140611DN	138617DN	138613DN	138614D	139237DN	125506B	144218TS-ASSY-KIT	142158D-KIT	143265D-ASSY-KIT	143264SK-D-ASSY-KIT	142633-6D-KIT
7366N-414-64-32N	138727	138734	138635DN, 138636DN,	138578DN	143264SK-D-KIT	138591DN	138612DN	140611DN	138617DN	138613DN	138614D	139237DN	125506B	144218TS-ASSY-KIT	142158D-KIT	143265D-ASSY-KIT	143264SK-D-ASSY-KIT	142633-6D-KIT
7366N-414-79-32N	138728	132132	138637DN, 138638DN, 138639DN	138578DN	143264SK-D-KIT	138591DN	138612DN	140611DN	138617DN	138613DN	138614D	139237DN	125506B	144218TL-ASSY-KIT	142158D-KIT	143265D-ASSY-KIT	143264SK-D-ASSY-KIT	142633-6D-KIT
7366N-414-65-32N	132000	132076		138578DN	143264SK-D-KIT	138591DN	138612DN	140611DN	138617DN	138613DN	138614D	139237DN	125506B	144218TL-ASSY-KIT	142158D-KIT	143265D-ASSY-KIT	143264SK-D-ASSY-KIT	142633-6D-KIT
7366N-414-80-32N	132001	132077		138578DN	143264SK-D-KIT	138591DN	138612DN	140611DN	138617DN	138613DN	138614D	139237DN	125506B	144218TL-ASSY-KIT	142158D-KIT	143265D-ASSY-KIT	143264SK-D-ASSY-KIT	142633-6D-KIT
7366N-414-66-32N	132002	132078		138578DN	143264SK-D-KIT	138591DN	138612DN-16	138595-16	138617DN	138613DN	138614-S	139237-16	125506B	144218TG-ASSY-KIT	142158D-KIT	143265D-ASSY-KIT	143264SK-D-ASSY-KIT	142633-6D-KIT
7366N-414-81-32N	132003	132079		138578DN	143264SK-D-KIT	138591DN	138612DN-16	138595-16	138617DN	138613DN	138614-S	139237-16	125506B	144218TG-ASSY-KIT	142158D-KIT	143265D-ASSY-KIT	143264SK-D-ASSY-KIT	142633-6D-KIT

\* NOTE: Standard part number. For more information see page 37.

**KIT PART NUMBERS (BEFORE FEB.-2019)**

Model	Volute Kit	Slicer Blade Kit	Shim Kit	Striker Plate Kit	Striker Shell Kit	Striker Hardware Kit
7366N-414-16-32N	137226SK-KIT	144218TAA-ASSY-KIT	142157D-KIT	142125-ASY-KIT	127254SK-ASSY-KIT	142633-4-KIT
7366N-414-32-32N	137226SK-KIT	144218TX-ASSY-KIT	142157D-KIT	142125-ASY-KIT	127254SK-ASSY-KIT	142633-4-KIT
7366N-414-33-32N	137226SK-KIT	144218TU-ASSY-KIT	142157D-KIT	142125-ASY-KIT	127254SK-ASSY-KIT	142633-4-KIT
7366N-414-49-32N	137226SK-KIT	144218TM-ASSY-KIT	142157D-KIT	142125-ASY-KIT	127254SK-ASSY-KIT	142633-4-KIT
7366N-414-64-32N	137226SK-KIT	144218TM-ASSY-KIT	142157D-KIT	142125-ASY-KIT	127254SK-ASSY-KIT	142633-4-KIT
7366N-414-79-32N	137226SK-KIT	144218TH-ASSY-KIT	142157D-KIT	142125-ASY-KIT	127254SK-ASSY-KIT	142633-4-KIT
7366N-414-65-32N	137226SK-KIT	144218TH-ASSY-KIT	142157D-KIT	142125-ASY-KIT	127254SK-ASSY-KIT	142633-4-KIT

\* NOTE: Standard part number. For more information see page 37.

\* NOTE: For NIHARD impeller info, start on page 30.

\* Standard part number. For more information see page 37.

KIT PART NUMBERS (AFTER FEB.-2019)																		
Model	Rotor Kit	Stator Kit	Seal Kit	Bearing Kit	Volute Kit	Seal Plate Kit	Bear. Brkt. Kit	Term. Block Kit	Hardw. Kit	Moist. Sensor Kit	Slicer Blade Attach. Kit	Motor Cap Kit	Leg Kit	Slicer Blade Kit	Shim Kit	Striker Plate Kit	Striker Shell Kit	Striker Hardware Kit
7366N-449-31-32N	132923	132941		138578DN	143264SK-D-KIT	138591DN	138612DN	140611DN	138617DN	138613DN	138614D	139237DN	125506B	144218TH-ASSY-KIT	142158D-KIT	143265D-ASSY-KIT	143264SK-D-ASSY-KIT	142633-6D-KIT
7366N-449-32-32N	132924	132942		138578DN	143264SK-D-KIT	138591DN	138612DN	140611DN	138617DN	138613DN	138614D	139237DN	125506B	144218TD-ASSY-KIT	142158D-KIT	143265D-ASSY-KIT	143264SK-D-ASSY-KIT	142633-6D-KIT
7366N-449-92-32N	132925	132943		138578DN	143264SK-D-KIT	138591DN	138612DN	140611DN	138617DN	138613DN	138614D	139237DN	125506B	144218TD-ASSY-KIT	142158D-KIT	143265D-ASSY-KIT	143264SK-D-ASSY-KIT	142633-6D-KIT
7366N-449-1B-32N	132926	132944	*138582DN,	138578DN	143264SK-D-KIT	138591DN	138612DN	140611DN	138617DN	138613DN	138614D	139237DN	125506B	144218TD-ASSY-KIT	142158D-KIT	143265D-ASSY-KIT	143264SK-D-ASSY-KIT	142633-6D-KIT
7366N-449-33-32N	132927	132945	138635DN,	138578DN	143264SK-D-KIT	138591DN	138612DN	140611DN	138617DN	138613DN	138614D	139237DN	125506B	144218TB-ASSY-KIT	142158D-KIT	143265D-ASSY-KIT	143264SK-D-ASSY-KIT	142633-6D-KIT
7366N-449-93-32N	132928	132946	138637DN,	138578DN	143264SK-D-KIT	138591DN	138612DN	140611DN	138617DN	138613DN	138614D	139237DN	125506B	144218TB-ASSY-KIT	142158D-KIT	143265D-ASSY-KIT	143264SK-D-ASSY-KIT	142633-6D-KIT
7366N-449-1C-32N	132929	132947	138638DN,	138578DN	143264SK-D-KIT	138591DN	138612DN	140611DN	138617DN	138613DN	138614D	139237DN	125506B	144218TB-ASSY-KIT	142158D-KIT	143265D-ASSY-KIT	143264SK-D-ASSY-KIT	142633-6D-KIT
7366N-449-49-32N	138739	132948	138639DN	138578DN	143264SK-D-KIT	138591DN	138612DN	140611DN	138617DN	138613DN	138614D	139237DN	125506B	144218TB-ASSY-KIT	142158D-KIT	143265D-ASSY-KIT	143264SK-D-ASSY-KIT	142633-6D-KIT
7366N-449-64-32N	132931	132949		138578DN	143264SK-D-KIT	138591DN	138612DN	138595-16	138617DN	138613DN	138614D	139237-16	125506B	144218-ASSY-KIT	142158D-KIT	143265D-ASSY-KIT	143264SK-D-ASSY-KIT	142633-6D-KIT
7366N-449-79-32N	132932	132950		138578DN	143264SK-D-KIT	138591DN	138612DN	138595-16	138617DN	138613DN	138614D	139237-16	125506B	144218-ASSY-KIT	142158D-KIT	143265D-ASSY-KIT	143264SK-D-ASSY-KIT	142633-6D-KIT

\* NOTE: Standard part number. For more information see page 37.

KIT PART NUMBERS (BEFORE FEB.-2019)							
Model	Volute Kit	Slicer Blade Kit	Shim Kit	Striker Plate Kit	Striker Shell Kit	Striker Hardware Kit	
7366N-449-31-32N	137226SK-KIT	144218TF-ASSY-KIT	142157D-KIT	142125-ASY-KIT	127254SK-ASSY-KIT	142633-4-KIT	
7366N-449-32-32N	137226SK-KIT	144218TB-ASSY-KIT	142157D-KIT	142125-ASY-KIT	127254SK-ASSY-KIT	142633-4-KIT	
7366N-449-92-32N	137226SK-KIT	144218TB-ASSY-KIT	142157D-KIT	142125-ASY-KIT	127254SK-ASSY-KIT	142633-4-KIT	
7366N-449-1B-32N	137226SK-KIT	144218TB-ASSY-KIT	142157D-KIT	142125-ASY-KIT	127254SK-ASSY-KIT	142633-4-KIT	
7366N-449-33-32N	137226SK-KIT	144218-ASY-KIT	142157D-KIT	142125-ASY-KIT	127254SK-ASSY-KIT	142633-4-KIT	
7366N-449-93-32N	137226SK-KIT	144218-ASY-KIT	142157D-KIT	142125-ASY-KIT	127254SK-ASSY-KIT	142633-4-KIT	
7366N-449-1C-32N	137226SK-KIT	144218-ASY-KIT	142157D-KIT	142125-ASY-KIT	127254SK-ASSY-KIT	142633-4-KIT	

NOTE:

For NIHARD impeller info, start on page 30.

\* Standard part number. For more information see page 37.

Model	Rotor Kit	Stator Kit	Seal Kit	Bearing Kit	Volume Kit	Seal Plate Kit	Bear. Bkkt. Kit	Term. Block Kit	Hardw. Kit	Moist. Sensor Kit	Slicer Blade Attach. Kit	Motor Cap Kit	Leg Kit	Slicer Blade Kit	Shim Kit	Striker Plate Kit	Striker Shell Kit	Striker Hardware Kit
7366N-615-16-32N	131998	132074	*138582DN, 138635DN, 138636DN, 138637DN, 138638DN, 138639DN	138578DN	130830SK- ID-KIT	138591DN	138612DN	140611DN	138617DN	138613DN	138614D	139237DN	125506B	130826BT- ASSY-KIT	142158D- KIT	141585D- ASSY-KIT	130830SK1D- ASSY-KIT	142633-6D- KIT
7366N-615-32-32N	131999	132075	138635DN, 138636DN, 138637DN, 138638DN, 138639DN	138578DN	130830SK- ID-KIT	138591DN	138612DN	140611DN	138617DN	138613DN	138614D	139237DN	125506B	130826BT- ASSY-KIT	142158D- KIT	141585D- ASSY-KIT	130830SK1D- ASSY-KIT	142633-6D- KIT
7366N-615-33-32N	138725	138733	138638DN, 138639DN	138578DN	130830SK- ID-KIT	138591DN	138612DN	140611DN	138617DN	138613DN	138614D	139237DN	125506B	130826B- ASSY-KIT	142158D- KIT	141585D- ASSY-KIT	130830SK1D- ASSY-KIT	142633-6D- KIT
7366N-616-33-32N	138725	138733		138578DN	130830SK- ID-KIT	138591DN	138612DN	140611DN	138617DN	138613DN	138614D	139237DN	125506B	130826ATH- ASSY-KIT	142158D- KIT	141585D- ASSY-KIT	130830SK1D- ASSY-KIT	142633-6D- KIT
7366N-616-49-32N	132122	132130		138578DN	130830SK- ID-KIT	138591DN	138612DN	140611DN	138617DN	138613DN	138614D	139237DN	125506B	130826ATC- ASSY-KIT	142158D- KIT	141585D- ASSY-KIT	130830SK1D- ASSY-KIT	142633-6D- KIT
7366N-616-64-32N	138727	138734	*138582DN, 138635DN, 138636DN, 138637DN, 138638DN, 138639DN	138578DN	130830SK- ID-KIT	138591DN	138612DN	140611DN	138617DN	138613DN	138614D	139237DN	125506B	130826ATC- ASSY-KIT	142158D- KIT	141585D- ASSY-KIT	130830SK1D- ASSY-KIT	142633-6D- KIT
7366N-616-79-32N	138728	132132	138637DN, 138638DN, 138639DN	138578DN	130830SK- ID-KIT	138591DN	138612DN	140611DN	138617DN	138613DN	138614D	139237DN	125506B	130826ATC- ASSY-KIT	142158D- KIT	141585D- ASSY-KIT	130830SK1D- ASSY-KIT	142633-6D- KIT
7366N-616-65-32N	132000	132076		138578DN	130830SK- ID-KIT	138591DN	138612DN	140611DN	138617DN	138613DN	138614D	139237DN	125506B	130826A- ASSY-KIT	142158D- KIT	141585D- ASSY-KIT	130830SK1D- ASSY-KIT	142633-6D- KIT
7366N-616-80-32N	132001	132077		138578DN	130830SK- ID-KIT	138591DN	138612DN	140611DN	138617DN	138613DN	138614D	139237DN	125506B	130826A- ASSY-KIT	142158D- KIT	141585D- ASSY-KIT	130830SK1D- ASSY-KIT	142633-6D- KIT
7366N-620-31-32N	132923	132941	*138582DN, 138635DN, 138636DN, 138637DN, 138638DN, 138639DN	138578DN	130830SK- ID-KIT	138591DN	138612DN	140611DN	138617DN	138613DN	138614D	139237DN	125506B	130826A- ASSY-KIT	142158D- KIT	141585D- ASSY-KIT	130830SK1D- ASSY-KIT	142633-6D- KIT
7366N-617-65-32N	132000	132076		138578DN	130830SK- ID-KIT	138591DN	138612DN	140611DN	138617DN	138613DN	138614D	139237DN	125506B	130826TJ- ASSY-KIT	142158D- KIT	141585D- ASSY-KIT	130830SK1D- ASSY-KIT	142633-6D- KIT
7366N-617-80-32N	132001	132077	*138582DN, 138635DN, 138636DN, 138637DN, 138638DN, 138639DN	138578DN	130830SK- ID-KIT	138591DN	138612DN	140611DN	138617DN	138613DN	138614D	139237DN	125506B	130826TJ- ASSY-KIT	142158D- KIT	141585D- ASSY-KIT	130830SK1D- ASSY-KIT	142633-6D- KIT
7366N-617-66-32N	132002	132078	138637DN, 138638DN, 138639DN	138578DN	130830SK- ID-KIT	138591DN	138612DN	140611DN	138617DN	138613DN	138614D	139237DN	125506B	130826TE- ASSY-KIT	142158D- KIT	141585D- ASSY-KIT	130830SK1D- ASSY-KIT	142633-6D- KIT
7366N-617-81-32N	132003	132079		138578DN	130830SK- ID-KIT	138591DN	138612DN	140611DN	138617DN	138613DN	138614D	139237DN	125506B	130826TE- ASSY-KIT	142158D- KIT	141585D- ASSY-KIT	130830SK1D- ASSY-KIT	142633-6D- KIT
7366N-621-31-32N	132923	132941		138578DN	130830SK- ID-KIT	138591DN	138612DN	140611DN	138617DN	138613DN	138614D	139237DN	125506B	130826TE- ASSY-KIT	142158D- KIT	141585D- ASSY-KIT	130830SK1D- ASSY-KIT	142633-6D- KIT
7366N-621-32-32N	132924	132942		138578DN	130830SK- ID-KIT	138591DN	138612DN	140611DN	138617DN	138613DN	138614D	139237DN	125506B	130826TC- ASSY-KIT	142158D- KIT	141585D- ASSY-KIT	130830SK1D- ASSY-KIT	142633-6D- KIT
7366N-621-92-32N	132925	132943	*138582DN, 138635DN, 138636DN, 138637DN, 138638DN, 138639DN	138578DN	130830SK- ID-KIT	138591DN	138612DN	140611DN	138617DN	138613DN	138614D	139237DN	125506B	130826TC- ASSY-KIT	142158D- KIT	141585D- ASSY-KIT	130830SK1D- ASSY-KIT	142633-6D- KIT
7366N-621-1B-32N	132926	132944	138637DN, 138638DN, 138639DN	138578DN	130830SK- ID-KIT	138591DN	138612DN	140611DN	138617DN	138613DN	138614D	139237DN	125506B	130826TC- ASSY-KIT	142158D- KIT	141585D- ASSY-KIT	130830SK1D- ASSY-KIT	142633-6D- KIT
7366N-621-33-32N	132927	132945	138638DN, 138639DN	138578DN	130830SK- ID-KIT	138591DN	138612DN	140611DN	138617DN	138613DN	138614D	139237DN	125506B	130826C- ASSY-KIT	142158D- KIT	141585D- ASSY-KIT	130830SK1D- ASSY-KIT	142633-6D- KIT
7366N-621-93-32N	132928	132946		138578DN	130830SK- ID-KIT	138591DN	138612DN	140611DN	138617DN	138613DN	138614D	139237DN	125506B	130826C- ASSY-KIT	142158D- KIT	141585D- ASSY-KIT	130830SK1D- ASSY-KIT	142633-6D- KIT
7366N-621-1C-32N	132929	132947		138578DN	130830SK- ID-KIT	138591DN	138612DN	140611DN	138617DN	138613DN	138614D	139237DN	125506B	130826C- ASSY-KIT	142158D- KIT	141585D- ASSY-KIT	130830SK1D- ASSY-KIT	142633-6D- KIT

\* NOTE: Standard part number. For more information see page 37.

KIT PART NUMBERS (AFTER FEB.-2019)																		
Model	Rotor Kit	Stator Kit	Seal Kit	Bearing Kit	Volute Kit	Seal Plate Kit	Bear. Brkt. Kit	Term. Block Kit	Hardw. Kit	Moist. Sensor Kit	Slicer Blade Attach. Kit	Motor Cap Kit	Leg Kit	Slicer Blade Kit	Shim Kit	Striker Plate Kit	Striker Shell Kit	Striker Hardware Kit
7366N-663-16-32N	131998	132074	*138582DN, 138635DN, 138636DN, 138637DN, 138639DN	138578DN	138110SK-D-KIT	138590DN	138612DN-16	140611DN	138617DN	138613DN	138614D	139237DN	125506B	138104STB-ASSY-KIT	142158D-KIT	141585D-ASSY-KIT	138110SK-D-ASSY-KIT	142633-8D-KIT
7366N-663-32-32N	131999	132075	138636DN, 138637DN, 138639DN	138578DN	138110SK-D-KIT	138590DN	138612DN-16	140611DN	138617DN	138613DN	138614D	139237DN	125506B	138104STA-ASSY-KIT	142158D-KIT	141585D-ASSY-KIT	138110SK-D-ASSY-KIT	142633-8D-KIT
7366N-663-33-32N	138725	138773	138638DN, 138639DN	138578DN	138110SK-D-KIT	138590DN	138612DN-16	140611DN	138617DN	138613DN	138614D	139237DN	125506B	138104S-ASSY-KIT	142158D-KIT	141585D-ASSY-KIT	138110SK-D-ASSY-KIT	142633-8D-KIT
7366N-618-32-32N	131999	132075		138578DN	143338SK-D-KIT	138591DN	138612DN-16	140611DN	138617DN	138613DN	138614D	139237DN	125506B	144216UC-ASSY-KIT	143551D-KIT	1433339D-ASSY-KIT	143338SK-D-ASSY-KIT	142633-8D-KIT
7366N-618-33-32N	138725	138733		138578DN	143338SK-D-KIT	138591DN	138612DN-16	140611DN	138617DN	138613DN	138614D	139237DN	125506B	144216TZ-ASSY-KIT	143551D-KIT	1433339D-ASSY-KIT	143338SK-D-ASSY-KIT	142633-8D-KIT
7366N-618-49-32N	132122	132130		138578DN	143338SK-D-KIT	138591DN	138612DN-16	140611DN	138617DN	138613DN	138614D	139237DN	125506B	144216TV-ASSY-KIT	143551D-KIT	1433339D-ASSY-KIT	143338SK-D-ASSY-KIT	142633-8D-KIT
7366N-618-64-32N	138727	138734	*138582DN, 138635DN, 138636DN, 138637DN, 138639DN	138578DN	143338SK-D-KIT	138591DN	138612DN-16	140611DN	138617DN	138613DN	138614D	139237DN	125506B	144216TV-ASSY-KIT	143551D-KIT	1433339D-ASSY-KIT	143338SK-D-ASSY-KIT	142633-8D-KIT
7366N-618-79-32N	138728	132132	138638DN, 138639DN	138578DN	143338SK-D-KIT	138591DN	138612DN-16	140611DN	138617DN	138613DN	138614D	139237DN	125506B	144216TV-ASSY-KIT	143551D-KIT	1433339D-ASSY-KIT	143338SK-D-ASSY-KIT	142633-8D-KIT
7366N-618-65-32N	132000	132076		138578DN	143338SK-D-KIT	138591DN	138612DN-16	140611DN	138617DN	138613DN	138614D	139237DN	125506B	144216TQ-ASSY-KIT	143551D-KIT	1433339D-ASSY-KIT	143338SK-D-ASSY-KIT	142633-8D-KIT
7366N-618-80-32N	132001	132077		138578DN	143338SK-D-KIT	138591DN	138612DN-16	140611DN	138617DN	138613DN	138614D	139237DN	125506B	144216TQ-ASSY-KIT	143551D-KIT	1433339D-ASSY-KIT	143338SK-D-ASSY-KIT	142633-8D-KIT
7366N-618-66-32N	132002	132078		138578DN	143338SK-D-KIT	138591DN	138612DN-16	140611DN	138617DN	138613DN	138614D	139237DN	125506B	144216TL-ASSY-KIT	143551D-KIT	1433339D-ASSY-KIT	143338SK-D-ASSY-KIT	142633-8D-KIT
7366N-618-81-32N	132003	132079		138578DN	143338SK-D-KIT	138591DN	138612DN-16	140611DN	138617DN	138613DN	138614D	139237DN	125506B	144216TL-ASSY-KIT	143551D-KIT	1433339D-ASSY-KIT	143338SK-D-ASSY-KIT	142633-8D-KIT

\* NOTE: Standard part number. For more information see page 37.

KIT PART NUMBERS (BEFORE FEB.-2019)									
Model	Volute Kit	Slicer Blade Kit	Shim Kit	Striker Plate Kit	Striker Shell Kit	Striker Hardware Kit			
7366N-618-32-32N	130830SK-2-KIT	144216UA-ASSY-KIT	142158D-KIT	141585-ASY-KIT	130830SK-2-ASSY-KIT	142633-6-KIT			
7366N-618-33-32N	130830SK-2-KIT	144216TX-ASSY-KIT	142158D-KIT	141585-ASY-KIT	130830SK-2-ASSY-KIT	142633-6-KIT			
7366N-618-49-32N	130830SK-2-KIT	144216TR-ASSY-KIT	142158D-KIT	141585-ASY-KIT	130830SK-2-ASSY-KIT	142633-6-KIT			
7366N-618-64-32N	130830SK-2-KIT	144216TR-ASSY-KIT	142158D-KIT	141585-ASY-KIT	130830SK-2-ASSY-KIT	142633-6-KIT			
7366N-618-79-32N	130830SK-2-KIT	144216TR-ASSY-KIT	142158D-KIT	141585-ASY-KIT	130830SK-2-ASSY-KIT	142633-6-KIT			
7366N-618-65-32N	130830SK-2-KIT	144216TL-ASSY-KIT	142158D-KIT	141585-ASY-KIT	130830SK-2-ASSY-KIT	142633-6-KIT			
7366N-618-80-32N	130830SK-2-KIT	144216TL-ASSY-KIT	142158D-KIT	141585-ASY-KIT	130830SK-2-ASSY-KIT	142633-6-KIT			
7366N-618-66-32N	130830SK-2-KIT	144216TG-ASSY-KIT	142158D-KIT	141585-ASY-KIT	130830SK-2-ASSY-KIT	142633-6-KIT			
7366N-618-81-32N	130830SK-2-KIT	144216TG-ASSY-KIT	142158D-KIT	141585-ASY-KIT	130830SK-2-ASSY-KIT	142633-6-KIT			

NOTE:

For NIHARD impeller info, start on page 30.

\* Standard part number. For more information see page 37.

KIT PART NUMBERS (AFTER FEB.-2019)																		
Model	Rotor Kit	Stator Kit	Seal Kit	Bearing Kit	Volute Kit	Seal Plate Kit	Bear. Brkt. Kit	Term. Block Kit	Hardw. Kit	Moist. Sensor Kit	Slicer Blade Attach. Kit	Motor Cap Kit	Leg Kit	Slicer Blade Kit	Shim Kit	Striker Plate Kit	Striker Shell Kit	Striker Hardware Kit
7366N-622-31-32N	132923	132941		138578DN	143338SK-D-KIT	138591DN	138612DN-16	140611DN	138617DN	138613DN	138614D	139237DN	125506B	144216TJ-ASSY-KIT	143551D-KIT	1433339D-ASSY-KIT	143338SK-D-ASSY-KIT	142633-8D-KIT
7366N-622-32-32N	132924	132942		138578DN	143338SK-D-KIT	138591DN	138612DN-16	140611DN	138617DN	138613DN	138614D	139237DN	125506B	144216TE-ASSY-KIT	143551D-KIT	1433339D-ASSY-KIT	143338SK-D-ASSY-KIT	142633-8D-KIT
7366N-622-92-32N	132925	132943		138578DN	143338SK-D-KIT	138591DN	138612DN-16	140611DN	138617DN	138613DN	138614D	139237DN	125506B	144216TE-ASSY-KIT	143551D-KIT	1433339D-ASSY-KIT	143338SK-D-ASSY-KIT	142633-8D-KIT
7366N-622-1B-32N	132926	132944	*138582DN	138578DN	143338SK-D-KIT	138591DN	138612DN-16	140611DN	138617DN	138613DN	138614D	139237DN	125506B	144216TE-ASSY-KIT	143551D-KIT	1433339D-ASSY-KIT	143338SK-D-ASSY-KIT	142633-8D-KIT
7366N-622-33-32N	132927	132945	138635DN	138578DN	143338SK-D-KIT	138591DN	138612DN-16	140611DN	138617DN	138613DN	138614D	139237DN	125506B	144216TB-ASSY-KIT	143551D-KIT	1433339D-ASSY-KIT	143338SK-D-ASSY-KIT	142633-8D-KIT
7366N-622-93-32N	132928	132946	138636DN	138578DN	143338SK-D-KIT	138591DN	138612DN-16	140611DN	138617DN	138613DN	138614D	139237DN	125506B	144216TB-ASSY-KIT	143551D-KIT	1433339D-ASSY-KIT	143338SK-D-ASSY-KIT	142633-8D-KIT
7366N-622-1C-32N	132929	132947	138637DN	138578DN	143338SK-D-KIT	138591DN	138612DN-16	140611DN	138617DN	138613DN	138614D	139237DN	125506B	144216TB-ASSY-KIT	143551D-KIT	1433339D-ASSY-KIT	143338SK-D-ASSY-KIT	142633-8D-KIT
7366N-622-49-32N	138739	132948	138638DN	138578DN	143338SK-D-KIT	138591DN	138612DN-16	138595-16	138617DN	138613DN	138614D	139237-16	125506B	144216-ASSY-KIT	143551D-KIT	1433339D-ASSY-KIT	143338SK-D-ASSY-KIT	142633-8D-KIT
7366N-622-64-32N	132931	132949	138639DN	138578DN	143338SK-D-KIT	138591DN	138612DN-16	138595-16	138617DN	138613DN	138614D	139237-16	125506B	144216-ASSY-KIT	143551D-KIT	1433339D-ASSY-KIT	143338SK-D-ASSY-KIT	142633-8D-KIT
7366N-622-79-32N	132932	132950		138578DN	143338SK-D-KIT	138591DN	138612DN-16	138595-16	138617DN	138613DN	138614D	139237-16	125506B	144216-ASSY-KIT	143551D-KIT	1433339D-ASSY-KIT	143338SK-D-ASSY-KIT	142633-8D-KIT

\* NOTE: Standard part number. For more information see page 37.

KIT PART NUMBERS (BEFORE FEB.-2019)									
Model	Volute Kit	Slicer Blade Kit	Shim Kit	Striker Plate Kit	Striker Shell Kit	Striker Hardware Kit			
7366N-622-31-32N	130830SK-2-KIT	144216TH-ASSY-KIT	142158D-KIT	141585-AS-SY-KIT	130830SK-2-ASSY-KIT	142633-6-KIT			
7366N-622-32-32N	130830SK-2-KIT	144216TD-ASSY-KIT	142158D-KIT	141585-AS-SY-KIT	130830SK-2-ASSY-KIT	142633-6-KIT			
7366N-622-92-32N	130830SK-2-KIT	144216TD-ASSY-KIT	142158D-KIT	141585-AS-SY-KIT	130830SK-2-ASSY-KIT	142633-6-KIT			
7366N-622-1B-32N	130830SK-2-KIT	144216TD-ASSY-KIT	142158D-KIT	141585-AS-SY-KIT	130830SK-2-ASSY-KIT	142633-6-KIT			
7366N-622-33-32N	130830SK-2-KIT	144216AS-SY-KIT	142158D-KIT	141585-AS-SY-KIT	130830SK-2-ASSY-KIT	142633-6-KIT			
7366N-622-63-32N	130830SK-2-KIT	144216AS-SY-KIT	142158D-KIT	141585-AS-SY-KIT	130830SK-2-ASSY-KIT	142633-6-KIT			
7366N-622-78-32N	130830SK-2-KIT	144216AS-SY-KIT	142158D-KIT	141585-AS-SY-KIT	130830SK-2-ASSY-KIT	142633-6-KIT			

NOTE:

For NIHARD impeller info, start on page 30.

\* Standard part number. For more information see page 37.



Model	Rotor Kit	Stator Kit	Seal Kit	Bearing Kit	Volute Kit	Seal Plate Kit	Bear. Brkt. Kit	Term. Block Kit	Hardw. Kit	Moist. Sensor Kit	Slicer Blade Attach. Kit	Motor Cap Kit	Leg Kit	Slicer Blade Kit	Shim Kit	Striker Plate Kit	Striker Shell Kit	Striker Hardware Kit
7366N-860-32-32N	131999	132075		138578DN	143415SK-D-KIT	138590	138612DN-16	138595-16	138617DN	138613DN	143617D	139237-16	125506B	138102STN-ASSY-KIT	143465D-KIT	143411D-ASSY-KIT	143415SKD-ASSY-KIT	142633-10D-KIT
7366N-860-33-32N	138725	138733		138578DN	143415SK-D-KIT	138590	138612DN-16	138595-16	138617DN	138613DN	143617D	139237-16	125506B	138102STL-ASSY-KIT	143465D-KIT	143411D-ASSY-KIT	143415SKD-ASSY-KIT	142633-10D-KIT
7366N-860-49-32N	132122	132130		138578DN	143415SK-D-KIT	138590	138612DN-16	138595-16	138617DN	138613DN	143617D	139237-16	125506B	138102STH-ASSY-KIT	143465D-KIT	143411D-ASSY-KIT	143415SKD-ASSY-KIT	142633-10D-KIT
7366N-860-64-32N	138727	138734	*138582DN, 138635DN, 138636DN, 138637DN, 138638DN, 138639DN	138578DN	143415SK-D-KIT	138590	138612DN-16	138595-16	138617DN	138613DN	143617D	139237-16	125506B	138102STH-ASSY-KIT	143465D-KIT	143411D-ASSY-KIT	143415SKD-ASSY-KIT	142633-10D-KIT
7366N-860-79-32N	138728	132132		138578DN	143415SK-D-KIT	138590	138612DN-16	138595-16	138617DN	138613DN	143617D	139237-16	125506B	138102STH-ASSY-KIT	143465D-KIT	143411D-ASSY-KIT	143415SKD-ASSY-KIT	142633-10D-KIT
7366N-860-65-32N	132000	132076		138578DN	143415SK-D-KIT	138590	138612DN-16	138595-16	138617DN	138613DN	143617D	139237-16	125506B	138102STE-ASSY-KIT	143465D-KIT	143411D-ASSY-KIT	143415SKD-ASSY-KIT	142633-10D-KIT
7366N-860-80-32N	132001	132077		138578DN	143415SK-D-KIT	138590	138612DN-16	138595-16	138617DN	138613DN	143617D	139237-16	125506B	138102STE-ASSY-KIT	143465D-KIT	143411D-ASSY-KIT	143415SKD-ASSY-KIT	142633-10D-KIT
7366N-860-66-32N	132002	132078		138578DN	143415SK-D-KIT	138590	138612DN-16	138595-16	138617DN	138613DN	143617D	139237-16	125506B	138102STC-ASSY-KIT	143465D-KIT	143411D-ASSY-KIT	143415SKD-ASSY-KIT	142633-10D-KIT
7366N-860-81-32N	132003	132079		138578DN	143415SK-D-KIT	138590	138612DN-16	138595-16	138617DN	138613DN	143617D	139237-16	125506B	138102STC-ASSY-KIT	143465D-KIT	143411D-ASSY-KIT	143415SKD-ASSY-KIT	142633-10D-KIT
7366N-861-31-32N	132923	132941	*138582DN, 138635DN, 138636DN, 138637DN, 138638DN, 138639DN	138578DN	143415SK-D-KIT	138590	138612DN-16	138595-16	138617DN	138613DN	143617D	139237-16	125506B	138102STC-ASSY-KIT	143465D-KIT	143411D-ASSY-KIT	143415SKD-ASSY-KIT	142633-10D-KIT
7366N-861-32-32N	132924	132942		138578DN	143415SK-D-KIT	138590	138612DN-16	138595-16	138617DN	138613DN	143617D	139237-16	125506B	138102S-ASSY-KIT	143465D-KIT	143411D-ASSY-KIT	143415SKD-ASSY-KIT	142633-10D-KIT
7366N-861-92-32N	132925	132943		138578DN	143415SK-D-KIT	138590	138612DN-16	138595-16	138617DN	138613DN	143617D	139237-16	125506B	138102S-ASSY-KIT	143465D-KIT	143411D-ASSY-KIT	143415SKD-ASSY-KIT	142633-10D-KIT
7366N-861-1B-32N	132926	132944		138578DN	143415SK-D-KIT	138590	138612DN-16	138595-16	138617DN	138613DN	143617D	139237-16	125506B	138102S-ASSY-KIT	143465D-KIT	143411D-ASSY-KIT	143415SKD-ASSY-KIT	142633-10D-KIT
7366N-862-39-32N				138578DN	143415SK-D-KIT	138590	138612DN-16	138595-16	138617DN	138613DN	143617D	139237-16	125506B	138102STF-ASSY-KIT	143465D-KIT	143411D-ASSY-KIT	143415SKD-ASSY-KIT	142633-10D-KIT
7366N-862-1U-32N				138578DN	143415SK-D-KIT	138590	138612DN-16	138595-16	138617DN	138613DN	143617D	139237-16	125506B	138102STF-ASSY-KIT	143465D-KIT	143411D-ASSY-KIT	143415SKD-ASSY-KIT	142633-10D-KIT
7366N-862-1V-32N				138578DN	143415SK-D-KIT	138590	138612DN-16	138595-16	138617DN	138613DN	143617D	139237-16	125506B	138102STF-ASSY-KIT	143465D-KIT	143411D-ASSY-KIT	143415SKD-ASSY-KIT	142633-10D-KIT
7366N-862-37-32N	140157	140175	*138582DN, 138635DN, 138636DN, 138637DN, 138638DN, 138639DN	138578DN	143415SK-D-KIT	138590	138612DN-16	138595-16	138617DN	138613DN	143617D	139237-16	125506B	138102STA-ASSY-KIT	143465D-KIT	143411D-ASSY-KIT	143415SKD-ASSY-KIT	142633-10D-KIT
7366N-862-89-32N	140158	140176		138578DN	143415SK-D-KIT	138590	138612DN-16	138595-16	138617DN	138613DN	143617D	139237-16	125506B	138102STA-ASSY-KIT	143465D-KIT	143411D-ASSY-KIT	143415SKD-ASSY-KIT	142633-10D-KIT
7366N-862-98-32N	140159	140177		138578DN	143415SK-D-KIT	138590	138612DN-16	138595-16	138617DN	138613DN	143617D	139237-16	125506B	138102STA-ASSY-KIT	143465D-KIT	143411D-ASSY-KIT	143415SKD-ASSY-KIT	142633-10D-KIT
7366N-862-38-32N	140160	140178		138578DN	143415SK-D-KIT	138590	138612DN-16	138595-16	138617DN	138613DN	143617D	139237-16	125506B	138102S-ASSY-KIT	143465D-KIT	143411D-ASSY-KIT	143415SKD-ASSY-KIT	142633-10D-KIT
7366N-862-90-32N	140161	140179		138578DN	143415SK-D-KIT	138590	138612DN-16	138595-16	138617DN	138613DN	143617D	139237-16	125506B	138102S-ASSY-KIT	143465D-KIT	143411D-ASSY-KIT	143415SKD-ASSY-KIT	142633-10D-KIT
7366N-862-99-32N	140162	140180		138578DN	143415SK-D-KIT	138590	138612DN-16	138595-16	138617DN	138613DN	143617D	139237-16	125506B	138102S-ASSY-KIT	143465D-KIT	143411D-ASSY-KIT	143415SKD-ASSY-KIT	142633-10D-KIT

\* NOTE: Standard part number. For more information see page 37.





Model	Rotor Kit	Stator Kit	Seal Kit	Bearing Kit	Volute Kit	Seal Plate Kit	Bear. Bkkt. Kit	Term. Block Kit	Hardw. Kit	Moist. Sensor Kit	Slicer Blade Attach. Kit	Motor Cap Kit	Leg Kit	Slicer Blade Kit	Shim Kit	Striker Plate Kit	Striker Shell Kit	Striker Hardware Kit
7366N-X52-49-32N	138739	132948	*138582DN, 138635DN, 138636DN, 138637DN, 138638DN, 138639DN	138578DN	143484SK-D-KIT	140151	138612DN-16	138595-16	138617DN	138613DN	143617D	138237-16	125506C	138099STW-ASSY-KIT	143487D-KIT	143472D-ASSY-KIT	143484SKD-ASSY-KIT	142633-12D-KIT
7366N-X52-64-32N	132931	132949		138578DN	143484SK-D-KIT	140151	138612DN-16	138595-16	138617DN	138613DN	143617D	138237-16	125506C	138099STW-ASSY-KIT	143487D-KIT	143472D-ASSY-KIT	143484SKD-ASSY-KIT	142633-12D-KIT
7366N-X52-79-32N	132932	132950		138578DN	143484SK-D-KIT	140151	138612DN-16	138595-16	138617DN	138613DN	143617D	138237-16	125506C	138099STW-ASSY-KIT	143487D-KIT	143472D-ASSY-KIT	143484SKD-ASSY-KIT	142633-12D-KIT
7366N-X53-38-32N	140160	140178		138578DN	143484SK-D-KIT	140151	138612DN-16	138595-16	138617DN	138613DN	143617D	138237-16	125506C	138099STY-ASSY-KIT	143487D-KIT	143472D-ASSY-KIT	143484SKD-ASSY-KIT	142633-12D-KIT
7366N-X53-90-32N	140161	140179		138578DN	143484SK-D-KIT	140151	138612DN-16	138595-16	138617DN	138613DN	143617D	138237-16	125506C	138099STY-ASSY-KIT	143487D-KIT	143472D-ASSY-KIT	143484SKD-ASSY-KIT	142633-12D-KIT
7366N-X53-99-32N	140162	140180		138578DN	143484SK-D-KIT	140151	138612DN-16	138595-16	138617DN	138613DN	143617D	138237-16	125506C	138099STY-ASSY-KIT	143487D-KIT	143472D-ASSY-KIT	143484SKD-ASSY-KIT	142633-12D-KIT
7366N-X53-31-32N	140163	140181		138578DN	143484SK-D-KIT	140151	138612DN-16	138595-16	138617DN	138613DN	143617D	138237-16	125506C	138099STT-ASSY-KIT	143487D-KIT	143472D-ASSY-KIT	143484SKD-ASSY-KIT	142633-12D-KIT
7366N-X53-91-32N	140164	140182		138578DN	143484SK-D-KIT	140151	138612DN-16	138595-16	138617DN	138613DN	143617D	138237-16	125506C	138099STT-ASSY-KIT	143487D-KIT	143472D-ASSY-KIT	143484SKD-ASSY-KIT	142633-12D-KIT
7366N-X53-1A-32N	140165	140183	*138582DN, 138635DN, 138636DN, 138637DN, 138638DN, 138639DN	138578DN	143484SK-D-KIT	140151	138612DN-16	138595-16	138617DN	138613DN	143617D	138237-16	125506C	138099STP-ASSY-KIT	143487D-KIT	143472D-ASSY-KIT	143484SKD-ASSY-KIT	142633-12D-KIT
7366N-X53-32-32N	140166	140184		138578DN	143484SK-D-KIT	140151	138612DN-16	138595-16	138617DN	138613DN	143617D	138237-16	125506C	138099STP-ASSY-KIT	143487D-KIT	143472D-ASSY-KIT	143484SKD-ASSY-KIT	142633-12D-KIT
7366N-X53-92-32N	140167	140185		138578DN	143484SK-D-KIT	140151	138612DN-16	138595-16	138617DN	138613DN	143617D	138237-16	125506C	138099STP-ASSY-KIT	143487D-KIT	143472D-ASSY-KIT	143484SKD-ASSY-KIT	142633-12D-KIT
7366N-X53-1B-32N	140168	140186		138578DN	143484SK-D-KIT	140151	138612DN-16	138595-16	138617DN	138613DN	143617D	138237-16	125506C	138099STP-ASSY-KIT	143487D-KIT	143472D-ASSY-KIT	143484SKD-ASSY-KIT	142633-12D-KIT
7366N-X53-33-32N	140169	140187		138578DN	143484SK-D-KIT	140151	138612DN-16	138595-16	138617DN	138613DN	143617D	138237-16	125506C	138099STJ-ASSY-KIT	143487D-KIT	143472D-ASSY-KIT	143484SKD-ASSY-KIT	142633-12D-KIT
7366N-X53-93-32N	140170	140188		138578DN	143484SK-D-KIT	140151	138612DN-16	138595-16	138617DN	138613DN	143617D	138237-16	125506C	138099STJ-ASSY-KIT	143487D-KIT	143472D-ASSY-KIT	143484SKD-ASSY-KIT	142633-12D-KIT
7366N-X53-1C-32N	140171	140189		138578DN	143484SK-D-KIT	140151	138612DN-16	138595-16	138617DN	138613DN	143617D	138237-16	125506C	138099STJ-ASSY-KIT	143487D-KIT	143472D-ASSY-KIT	143484SKD-ASSY-KIT	142633-12D-KIT

\* NOTE: Standard part number. For more information see page 37.





**BARNES®**



**burks®**

**WEINMAN®**

**DEMING®**

**PROSSER®**

## Limited 24 Month Warranty

Crane Pumps & Systems warrants that products of our manufacture will be free of defects in material and workmanship under normal use and service for twenty-four (24) months after manufacture date, when installed and maintained in accordance with our instructions. This warranty gives you specific legal rights, and there may also be other rights which vary from state to state. In the event the product is covered by the Federal Consumer Product Warranties Law (1) the duration of any implied warranties associated with the product by virtue of said law is limited to the same duration as stated herein, (2) this warranty is a LIMITED WARRANTY, and (3) no claims of any nature whatsoever shall be made against us, until the ultimate consumer, his successor, or assigns, notifies us in writing of the defect, and delivers the product and/or defective part(s) freight prepaid to our factory or nearest authorized service station. Some states do not allow limitations on how long an implied warranty lasts, so the above limitation may not apply. **THE SOLE AND EXCLUSIVE REMEDY FOR BREACH OF ANY AND ALL WARRANTIES WITH RESPECT TO ANY PRODUCT SHALL BE TO REPLACE OR REPAIR AT OUR ELECTION, F.O.B. POINT OF MANUFACTURE OR AUTHORIZED REPAIR STATION, SUCH PRODUCTS AND/OR PARTS AS PROVEN DEFECTIVE. THERE SHALL BE NO FURTHER LIABILITY, WHETHER BASED ON WARRANTY, NEGLIGENCE OR OTHERWISE.** Unless expressly stated otherwise, guarantees in the nature of performance specifications furnished in addition to the foregoing material and workmanship warranties on a product manufactured by us, if any, are subject to laboratory tests corrected for field performance. Any additional guarantees, in the nature of performance specifications must be in writing and such writing must be signed by our authorized representative. Due to inaccuracies in field testing if a conflict arises between the results of field testing conducted by or for user, and laboratory tests corrected for field performance, the latter shall control. **RECOMMENDATIONS FOR SPECIAL APPLICATIONS OR THOSE RESULTING FROM SYSTEMS ANALYSES AND EVALUATIONS WE CONDUCT WILL BE BASED ON OUR BEST AVAILABLE EXPERIENCE AND PUBLISHED INDUSTRY INFORMATION. SUCH RECOMMENDATIONS DO NOT CONSTITUTE A WARRANTY OF SATISFACTORY PERFORMANCE AND NO SUCH WARRANTY IS GIVEN.**

This warranty shall not apply when damage is caused by (a) improper installation, (b) improper voltage (c) lightning (d) excessive sand or other abrasive material (e) scale or corrosion build-up due to excessive chemical content. Any modification of the original equipment will also void the warranty. We will not be responsible for loss, damage or labor cost due to interruption of service caused by defective parts. Neither will we accept charges incurred by others without our prior written approval.

This warranty is void if our inspection reveals the product was used in a manner inconsistent with normal industry practice and/or our specific recommendations. The purchaser is responsible for communication of all necessary information regarding the application and use of the product. **UNDER NO CIRCUMSTANCES WILL WE BE RESPONSIBLE FOR ANY OTHER DIRECT OR CONSEQUENTIAL DAMAGES, INCLUDING BUT NOT LIMITED TO TRAVEL EXPENSES, RENTED EQUIPMENT, OUTSIDE CONTRACTOR FEES, UNAUTHORIZED REPAIR SHOP EXPENSES, LOST PROFITS, LOST INCOME, LABOR CHARGES, DELAYS IN PRODUCTION, IDLE PRODUCTION, WHICH DAMAGES ARE CAUSED BY ANY DEFECTS IN MATERIAL AND/OR WORKMANSHIP AND/OR DAMAGE OR DELAYS IN SHIPMENT. THIS WARRANTY IS EXPRESSLY IN LIEU OF ANY OTHER EXPRESS OR IMPLIED WARRANTY, INCLUDING ANY WARRANTY OF MERCHANTABILITY OR FITNESS FOR A PARTICULAR PURPOSE.**

No rights extended under this warranty shall be assigned to any other person, whether by operation of law or otherwise, without our prior written approval.

**CRANE®**

**PUMPS & SYSTEMS**

A Crane Co. Company

420 Third Street  
Piqua, Ohio 45356  
(937) 778-8947  
Fax (937) 773-7157  
[www.cranepumps.com](http://www.cranepumps.com)

83 West Drive  
Brampton, Ont. Canada L6T 2J6  
(905) 457-6223  
Fax (905) 457-2650



**IMPORTANT!  
WARRANTY INFORMATION**

Warranty will be voided if the product  
is serviced by any  
Unauthorized Service Center.

---

**IMPORTANT!  
WARRANTY REGISTRATION**

Your product is covered by the enclosed Warranty.  
To complete the Warranty Registration Form go to:

<http://www.cranepumps.com/ProductRegistration/>

If you have a claim under the provision of the warranty, contact your local  
Crane Pumps & Systems, Inc. Distributor.

**RETURNED GOODS**

**RETURN OF MERCHANDISE REQUIRES A "RETURNED GOODS AUTHORIZATION".  
CONTACT YOUR LOCAL CRANE PUMPS & SYSTEMS, INC. DISTRIBUTOR.**



**Products Returned Must Be Cleaned, Sanitized,  
Or Decontaminated As Necessary Prior To Shipment,  
To Insure That Employees Will Not Be Exposed To Health  
Hazards In Handling Said Material. All Applicable Laws  
And Regulations Shall Apply.**



**START-UP REPORT**

**General Information**

Pump Owner's Name: \_\_\_\_\_  
Address: \_\_\_\_\_  
Location of Installation: \_\_\_\_\_  
Contact Person: \_\_\_\_\_ Phone: \_\_\_\_\_  
Purchased From: \_\_\_\_\_

**Nameplate Data**

Pump Model #: \_\_\_\_\_ Serial #: \_\_\_\_\_  
Part #: \_\_\_\_\_ Impeller Diameter: \_\_\_\_\_  
Voltage: \_\_\_\_\_ Phase: \_\_\_\_\_ Ø Hertz: \_\_\_\_\_ Horsepower: \_\_\_\_\_  
Full Load Amps: \_\_\_\_\_ Service Factor Amps: \_\_\_\_\_  
Motor Manufacturer: \_\_\_\_\_

**Controls**

Control panel manufacturer: \_\_\_\_\_  
Model/Part number: \_\_\_\_\_  
Number of pumps operated by control panel: \_\_\_\_\_  
Short circuit protection? YES\_\_\_ NO\_\_\_ Type: \_\_\_\_\_  
Number and size of short circuit device(s): \_\_\_\_\_ Amp rating: \_\_\_\_\_  
Overload Type: \_\_\_\_\_ Size: \_\_\_\_\_ Amp rating: \_\_\_\_\_  
Do protection devices comply with pump and motor Amp rating? YES\_\_\_ NO\_\_\_  
Are all electrical and panel entry connections tight? YES\_\_\_ NO\_\_\_  
Is the interior of the panel dry? YES\_\_\_ NO\_\_\_  
Liquid level Control Brand and Model: \_\_\_\_\_

**Pre-Startup**

**All Pumps**

Type of equipment: NEW\_\_\_ REBUILT\_\_\_ USED\_\_\_  
Condition of equipment at Start-Up: DRY\_\_\_ WET\_\_\_ MUDDY\_\_\_  
Was Equipment Stored? YES\_\_\_ NO\_\_\_ Length of Storage: \_\_\_\_\_  
Liquid being pumped: \_\_\_\_\_ Liquid Temperature: \_\_\_\_\_  
Supply Voltage/Phase/Frequency matches nameplate? YES\_\_\_ NO\_\_\_  
Shaft turns freely? YES\_\_\_ NO\_\_\_  
Direction of rotation verified for 3Ø motors? YES\_\_\_ NO\_\_\_  
Debris in piping or wet well? YES\_\_\_ NO\_\_\_  
Debris removed in your presence? YES\_\_\_ NO\_\_\_  
Pump case/wet well filled with liquid before startup? YES\_\_\_ NO\_\_\_  
Is piping properly supported? YES\_\_\_ NO\_\_\_

**Non-Submersible Pumps**

Is base plate properly installed / grouted? YES\_\_\_ NO\_\_\_ N/A\_\_\_  
Coupling Alignment Verified per I&O Manual? YES\_\_\_ NO\_\_\_ N/A\_\_\_  
Grease Cup/Oil Reservoir Level checked? YES\_\_\_ NO\_\_\_ N/A\_\_\_

**Submersible Pumps**

Resistance of cable and pump motor (measured at pump control):

Red-Black: \_\_\_\_\_ Ohms(Ω) Red-White: \_\_\_\_\_ Ohms(Ω) White-Black: \_\_\_\_\_ Ohms(Ω)

Resistance of Ground Circuit between Control Panel and outside of pump: \_\_\_\_\_ Ohms(Ω)

MEG Ohms check of insulation:

Red to Ground: \_\_\_\_\_ White to Ground: \_\_\_\_\_ Black to Ground: \_\_\_\_\_

**Operational Checks**

Is there noise or vibration present? YES\_\_\_ NO\_\_\_ Source of noise/vibration: \_\_\_\_\_

Does check valve operate properly? YES\_\_\_ NO\_\_\_ N/A\_\_\_

Is system free of leaks? YES\_\_\_ NO\_\_\_ Leaks at: \_\_\_\_\_

Does system appear to operate at design flow rate? YES\_\_\_ NO\_\_\_

Nominal Voltage: \_\_\_\_\_ Phase: 1Ø 3Ø (select one)

Voltage Reading at panel connection, Pump OFF: L1, L2 \_\_\_\_\_ L2, L3 \_\_\_\_\_ L1, L3 \_\_\_\_\_

Voltage Reading at panel connection, Pump ON: L1, L2 \_\_\_\_\_ L2, L3 \_\_\_\_\_ L1, L3 \_\_\_\_\_

Amperage Draw, Pump ON: L1 \_\_\_\_\_ L2 \_\_\_\_\_ L3 \_\_\_\_\_

**Submersible Pumps**

Are BAF and guide rails level / plumb? YES\_\_\_ NO\_\_\_

Is pump seated on discharge properly? YES\_\_\_ NO\_\_\_

Are level controls installed away from turbulence? YES\_\_\_ NO\_\_\_

Is level control operating properly? YES\_\_\_ NO\_\_\_

Is pump fully submerged during operation? YES\_\_\_ NO\_\_\_

**Follow up/Corrective Action Required**

YES\_\_\_ NO\_\_\_

**Additional Comments:**

\_\_\_\_\_  
\_\_\_\_\_  
\_\_\_\_\_  
\_\_\_\_\_  
\_\_\_\_\_  
\_\_\_\_\_

Startup performed by: \_\_\_\_\_ Date: \_\_\_\_\_

**Present at Start-Up**

( ) Engineer: \_\_\_\_\_ ( ) Operator: \_\_\_\_\_

( ) Contactor: \_\_\_\_\_ ( ) Other: \_\_\_\_\_

**All parties should retain a copy of this report for future trouble shooting/reference**



**PUMPS & SYSTEMS**

A Crane Co. Company

420 Third Street  
Piqua, Ohio 45356  
(937) 778-8947  
Fax (937) 773-7157  
www.cranepumps.com

83 West Drive  
Brampton, Ont. Canada L6T 2J6  
(905) 457-6223  
Fax (905) 457-2650