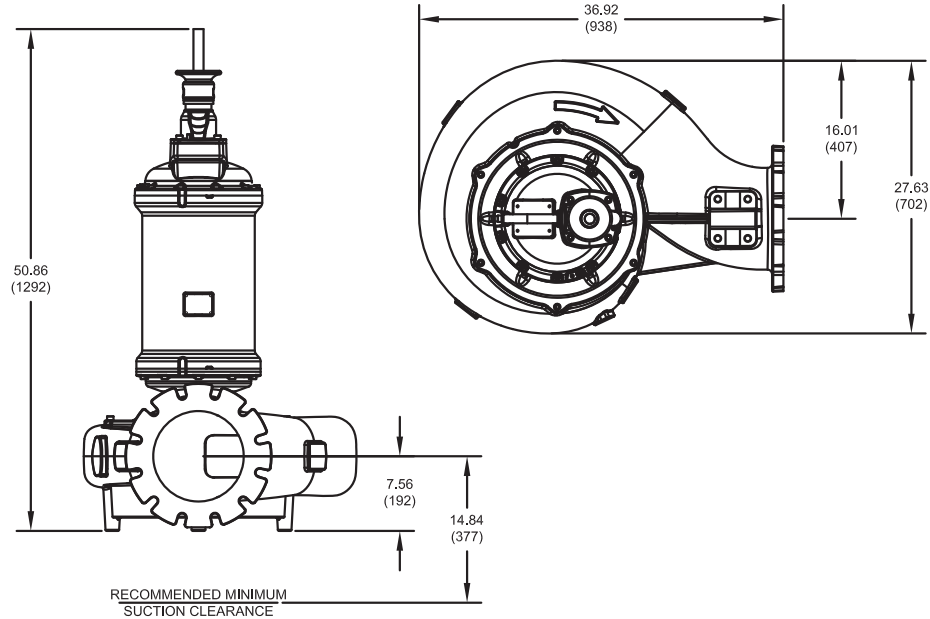


Demersible Non-Clog Pumps

#4 Frame Driver



inches
(mm)

| Model No. | Imp. Dia. inches (mm) | HP | Volt | PH | Hz | RPM | NEMA Start Code | Full Load Amps | S.F. | S.F. Amps | Locked Rotor Amps | Cord P/N ▲ | Cord Size |
|------------------|-----------------------------|------|------|----|----|------|-----------------------|----------------------|------|-----------|-------------------------|---------------|------------|
| 7365*-X70-33-30N | ** | 30.0 | 208 | 3 | 60 | 1150 | E | 90.8 | 1.2 | 114.9 | 354.0 | 138319 | 2/4 - 18/4 |
| | | | 230 | | | | | 82.6 | 1.2 | 99.7 | | | |
| 7365*-X70-93-30N | ** | 30.0 | 460 | 3 | 60 | 1150 | E | 41.3 | 1.2 | 49.9 | 177.0 | 138317 | 8/4 - 18/4 |
| 7365*-X70-1C-30N | ** | 30.0 | 575 | 3 | 60 | 1150 | E | 33.0 | 1.2 | 39.9 | 141.6 | 138317 | 8/4 - 18/4 |
| 7365*-X70-49-30N | 12.01 (305) | 40.0 | 230 | 3 | 60 | 1150 | E | 110.4 | 1.2 | 131.8 | 476.0 | 138319 | 2/4 - 18/4 |
| 7365*-X70-64-30N | 12.01 (305) | 40.0 | 460 | 3 | 60 | 1150 | E | 55.2 | 1.2 | 65.9 | 238.0 | 138318 | 6/4 - 18/4 |
| 7365*-X70-79-30N | 12.01 (305) | 40.0 | 575 | 3 | 60 | 1150 | E | 44.2 | 1.2 | 52.7 | 190.4 | 138317 | 8/4 - 18/4 |

IMPORTANT !

Moisture and Temperature sensor leads are integral to power cord.
 Pump rated for operation at ± 10% voltage at motor.
 ▲ Cord Suffix: XC - 30 Feet, XF - 50 Feet, XJ - 75 Feet, or XL - 100 Feet.
 ▲ Cord sold separately.
 ** Select impeller diameter when ordering.

Size 10TB (Dual Vane)

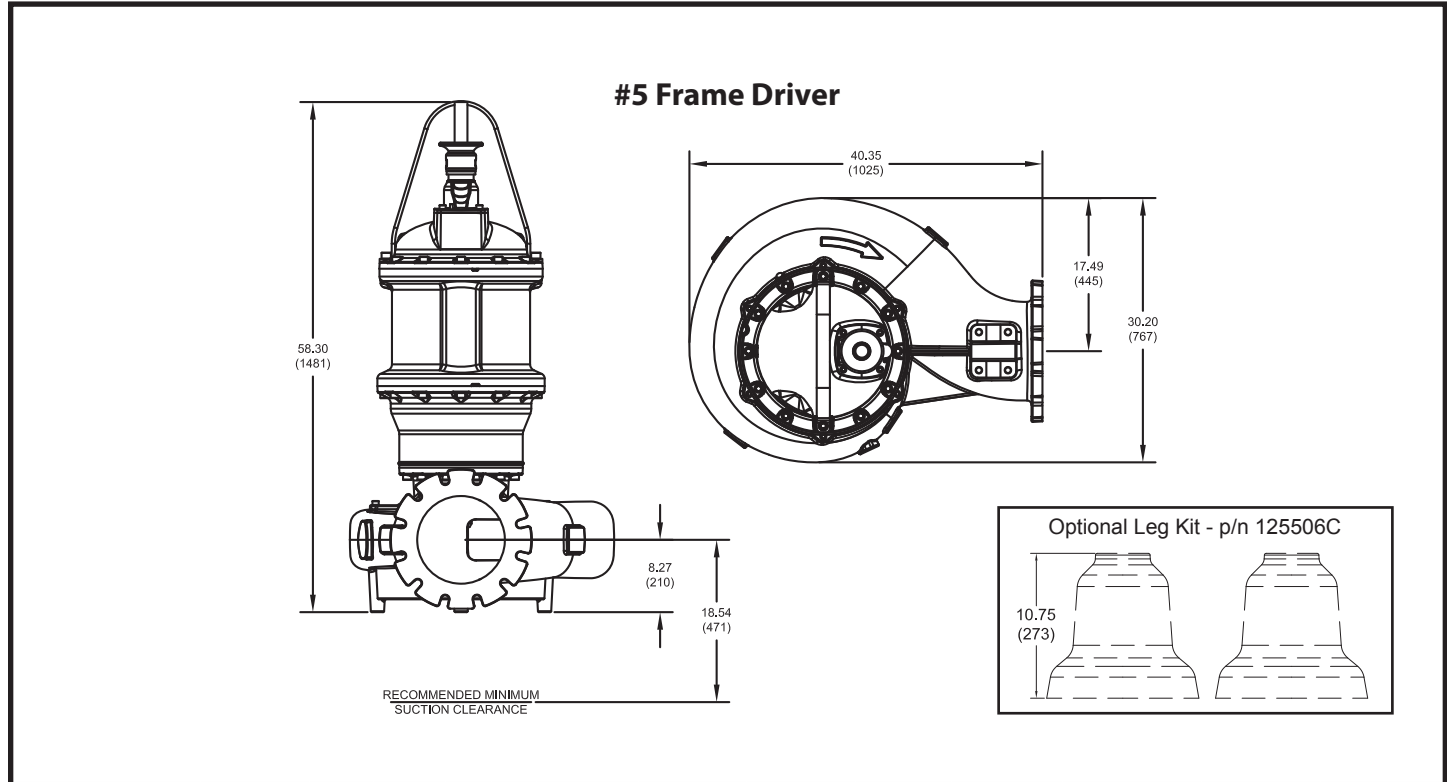
4" Spherical Solids Handling

7365*-X70

DEMING®

www.cranepumps.com

Demersible Non-Clog Pumps



| Model No. | Imp. Dia. inches (mm) | HP | Volt | PH | Hz | RPM | NEMA Start Code | Full Load Amps | S.F. | S.F. Amps | Locked Rotor Amps | Cord P/N ▲ | Cord Size |
|------------------|-----------------------------|-------|------|----|----|------|-----------------------|----------------------|------|-----------|-------------------------|---------------|------------|
| 7365*-X70-95-30N | 13.00 (320) | 50.0 | 460 | 3 | 60 | 1150 | H | 76.4 | 1.15 | 84.0 | 400.0 | 138318 | 6/4 - 18/4 |
| 7365*-X70-1E-30N | 13.00 (320) | 50.0 | 575 | 3 | 60 | 1150 | H | 61.2 | 1.15 | 67.2 | 320.0 | 138318 | 6/4 - 18/4 |
| 7365*-X70-96-30N | 13.19 (335) | 60.0 | 460 | 3 | 60 | 1150 | F | 86.7 | 1.15 | 96.8 | 400.0 | 138319 | 2/4 - 18/4 |
| 7365*-X70-1F-30N | 13.19 (335) | 60.0 | 575 | 3 | 60 | 1150 | F | 69.4 | 1.15 | 77.4 | 320.0 | 138318 | 6/4 - 18/4 |
| 7365*-X70-67-30N | 13.98 (355) | 75.0 | 460 | 3 | 60 | 1150 | H | 109.3 | 1.15 | 119.5 | 612.0 | 138319 | 2/4 - 18/4 |
| 7365*-X70-82-30N | 13.98 (355) | 75.0 | 575 | 3 | 60 | 1150 | H | 87.4 | 1.15 | 95.6 | 489.6 | 138319 | 2/4 - 18/4 |
| 7365*-X70-68-30N | 14.76 (375) | 100.0 | 460 | 3 | 60 | 1150 | E | 135.0 | 1.0 | 135.0 | 612.0 | 138319 | 2/4 - 18/4 |
| 7365*-X70-83-30N | 14.76 (375) | 100.0 | 575 | 3 | 60 | 1150 | E | 108.0 | 1.0 | 108.0 | 489.6 | 138319 | 2/4 - 18/4 |

IMPORTANT !

Moisture and Temperature sensor leads are integral to power cord.

Pump rated for operation at ± 10% voltage at motor.

▲ Cord Suffix: XC - 30 Feet, XF - 50 Feet, XJ - 75 Feet, or XL - 100 Feet.

▲ Cord sold separately.

** Select impeller diameter when ordering.

SECTION 42A
PAGE 104
DATE

CRANE
®

A Crane Co. Company

PUMPS & SYSTEMS

USA: (937) 778-8947 • Canada: (905) 457-6223 • International: (937) 615-3598