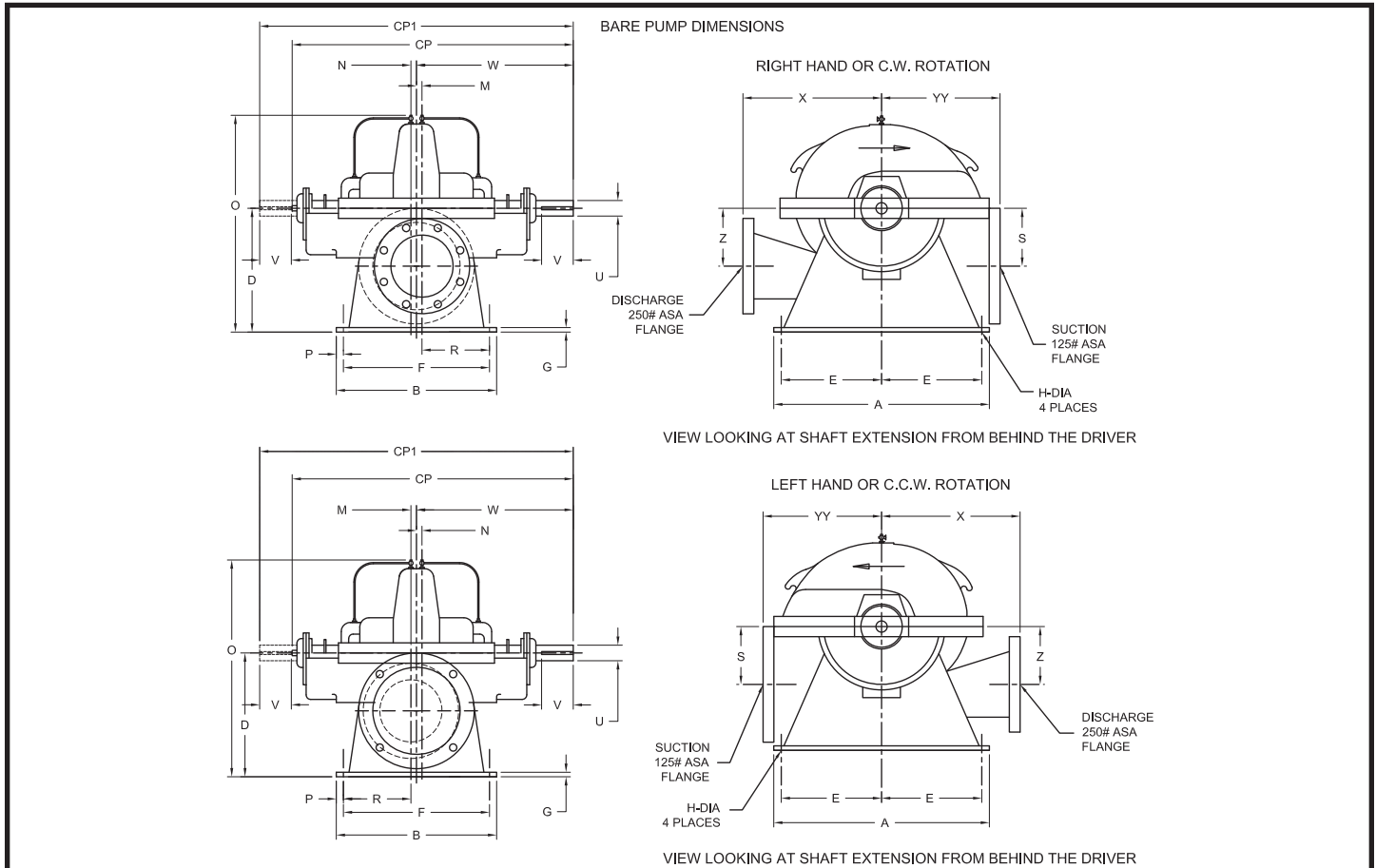


Two Stage Split Case Centrifugal Pumps



RH/Clockwise rotation is furnished unless otherwise specified.

SIZE	SUCT	DISCH	MAX. IMP. DIA.	A	B	D	E	F	G	H	M	N	O	R	S	U	V	W	X	Z	CP	CP1	YY	KEYWAY
STANDARD BEARING																								
3 x 1-1/2 x 10	3	1 1/2	10	11 1/2	16 1/2	10 3/4	5	15	1/2	3/4	1 1/16	2 13/16	19	6 5/16	5 5/8	1 1/8	2 3/4	16 1/4	9	5 5/8	30	32 1/2	11 3/4	1/4 x 1/8
3 x 2 x 10	3	2	10	11 1/2	16 1/2	10 3/4	5	15	1/2	3/4	1 1/16	0	19	6 5/16	5 1/2	1 1/8	2 3/4	16 1/4	10 1/4	5 1/2	30	32 1/2	12 3/4	1/4 x 1/8
4 x 3 x 10	4	3	10	11 1/2	16 1/2	10 3/4	5	15	1/2	3/4	1 1/16	3 7/16	20 1/2	6 5/16	5 5/8	1 3/8	3 1/4	17 5/8	9 3/4	5 5/8	31 1/2	34 1/4	14	5/16 x 5/32
WATER COOLED THRUST BEARING (ONLY)																								
3 x 1-1/2 x 10	3	1 1/2	10	11 1/2	16 1/2	10 3/4	5	15	1/2	3/4	1 1/16	2 13/16	19	6 5/16	5 5/8	1 1/8	2 3/4	16 1/4	9	5 5/8	30 5/8	32 1/2	11 3/4	1/4 x 1/8
3 x 2 x 10	3	2	10	11 1/2	16 1/2	10 3/4	5	15	1/2	3/4	1 1/16	0	19	6 5/16	5 1/2	1 1/8	2 3/4	16 1/4	10 1/4	5 1/2	30 5/8	32 1/2	12 3/4	1/4 x 1/8
4 x 3 x 10	4	3	10	11 1/2	16 1/2	10 3/4	5	15	1/2	3/4	1 1/16	3 7/16	20 1/2	6 5/16	5 5/8	1 3/8	3 1/4	17 5/8	9 3/4	5 5/8	32 5/8	34 1/4	14	5/16 x 5/32
WATER COOLED RADIAL AND THRUST BEARING																								
3 x 1-1/2 x 10	3	1 1/2	10	11 1/2	16 1/2	10 3/4	5	15	1/2	3/4	1 1/16	2 13/16	19	6 5/16	5 5/8	1 1/8	3 3/4	18 5/8	9	5 5/8	33	37 1/4	11 3/4	1/4 x 1/8
3 x 2 x 10	3	2	10	11 1/2	16 1/2	10 3/4	5	15	1/2	3/4	1 1/16	0	19	6 5/16	5 1/2	1 1/8	3 3/4	18 5/8	10 1/4	5 1/2	33	37 1/4	12 3/4	1/4 x 1/8
4 x 3 x 10	4	3	10	11 1/2	16 1/2	10 3/4	5	15	1/2	3/4	1 1/16	3 7/16	20 1/2	6 5/16	5 5/8	1 3/8	3 3/4	18 5/8	9 3/4	5 5/8	34	37 1/4	14	5/16 x 5/32
OIL LUBRICATED BEARING																								
3 x 1-1/2 x 10	3	1 1/2	10	11 1/2	16 1/2	10 3/4	5	15	1/2	3/4	1 1/16	2 13/16	19	6 5/16	5 5/8	1 1/8	3 3/4	18 5/8	9	5 5/8	33 3/8	37 1/4	11 3/4	1/4 x 1/8
3 x 2 x 10	3	2	10	11 1/2	16 1/2	10 3/4	5	15	1/2	3/4	1 1/16	0	19	6 5/16	5 1/2	1 1/8	3 3/4	18 5/8	10 1/4	5 1/2	33 3/8	37 1/4	12 3/4	1/4 x 1/8
4 x 3 x 10	4	3	10	11 1/2	16 1/2	10 3/4	5	15	1/2	3/4	1 1/16	3 7/16	20 1/2	6 5/16	5 5/8	1 3/8	3 3/8	18 5/8	9 3/4	5 5/8	34 3/4	37 1/4	14	5/16 x 5/32
Customer				Shop Order No.				Date:				By:												
Pump Data	Fig. No.	Size	Curve No.	GPM	Head	Sp. Gr.	Temp.	Rotation	Packing/Seal															
Motor Data	MFGR	Hp	RPM	Phase-Cycle Voltage	Frame	Enclosure	Insulation	Furnished by	Mounted															