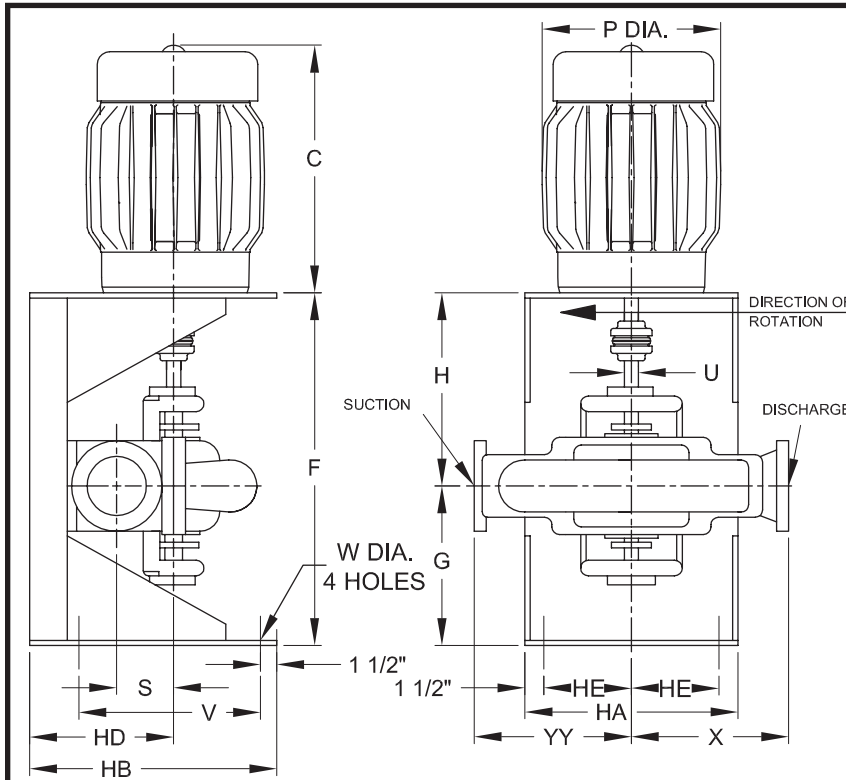


Horizontal Split Case Centrifugal Pumps



SIZE	SUCTION & DISCH. 125LB ASA FF			SUCTION & DISCH. 250LB ASA FF		
	DIA.	# - BOLTS	B.C.	DIA.	# - BOLTS	B.C.
1½	5	4 - ½	3⅞	6⅞	4 - ¾	4½
2	6	4 - ⅝	4¾	6½	8 - ⅝	5
3	7½	4 - ⅝	6	8¼	8 - ¾	6⅞
4	9	8 - ⅝	7½	10	8 - ¾	7⅞
6	11	8 - ¾	9½	12½	12 - ¾	10⅞
8	13½	8 - ¾	11¼	15	12 - ⅝	13
10	16	12 - ⅞	14¼	17½	16 - 1	15¼
12	19	12 - ⅞	17	20½	16 - 1⅝	17¾
14	21	12 - 1	18¾	23	20 - 1⅝	20¼

RIGHT HAND OR CLOCKWISE ROTATION FURNISHED UNLESS OTHERWISE SPECIFIED.

(+) TOP 2 BOLT HOLES OF FLANGE ARE TAPPED.

(*) SIZE 3x2x8 WITH 250 LB FLANGES.

YY DIM. IS 7-3/8", X DIM IS 6-5/8".

(▲) TOP 6 BOLT HOLES OF FLANGE ARE TAPPED.

(■) DISCHARGE FLANGES ARE 250 LB FLANGE.

FIG.	SUCT.	DISCH.	MAX. IMP. DIA.	HA	HB	HD	HE	F	G	H	S	X	YY	U	V	W	PUMP WT.	BASE WT.
5061	2	1½	8	15	19	12½	6	27	12	15	3¼	6½	7	⅞	16	⅝	117	210
	3*	2	8								3¼	6½	7				120	
	3	2	11								4½	8	9				165	
	3	2	14								5½	10	10				215	
	4+	3	9								4	8	9				175	
5062	4+	3+	11	15	24½	14½	6	31⅞	14	17⅞	4¾	8½	10	1⅞	21½	⅝	248	270
	4	3	14								5½	11	12				300	
	4	3	17								6	12	13				360	
	6+	4	9								5¼	9	10				240	
	6+	4	12								5½	10	11				295	
	6+	4	14½								5½	12	13				350	
	8+	6+	9								5½	10	11				312	
5063	6+	4	17	18	30	18½	7½	36⅞	16	20⅞	7	13	14	1½	27	¾	565	385
	8+	6	12								6½	11	13				505	
	8+	6	14½								6½	13	14				570	
	8+	6	17								7	14	15				645	
	10+	8+	12								6¼	12	15				620	
	10+	8+	14½								7¼	13	16				680	
5064	8+	6■	20	21	34	19½	7½	41⅞	18¾	22¾	8¼	15	16	1⅞	31	¾	855	500
	10+	8+	17								7¼	13	16				875	
	12+	10	12								7¼	14	17				880	
	10+	8■	20			10					15	17	980					
	12+	10	14½			9					17	18	1130					
	12▲	10	17			9					17	20	1225					
5064L	14	12	14½								10	17	20				1180	

MOTOR DATA			
FRAME	C	P	APPROX. WEIGHT
143TC	10⅞	7⅞	30
145TC	11⅞	7⅞	34
182TC	12¼	9⅞	56
184TC	13¼	9⅞	70
213TC	15⅞	11¼	141
215TC	16⅞	11¼	176
254TC	18⅞	13½	252
256TC	20⅞	13½	302
284TC	20⅞	14⅞	335
286TC	21⅞	14⅞	365
324TSC	22⅞	16⅞	465
326TSC	23⅞	16⅞	550
364TSC	27⅞	18¾	734
365TSC	28⅞	18¾	845
404TSC	30⅞	20⅞	1026
405TSC	31⅞	20⅞	1079
444TSC	34⅞	23⅞	1480
445TSC	36⅞	23⅞	1586

Customer				Shop Order No.				Date:		By:	
Pump Data	Fig. No.	Size	Curve No.	GPM	Head	Sp. Gr.	Temp.	Rotation	Packing/Seal		
Motor Data	MFGR	Hp	RPM	Phase-Cycle Voltage		Frame	Enclosure	Insulation	Furnished by	Mounted by	