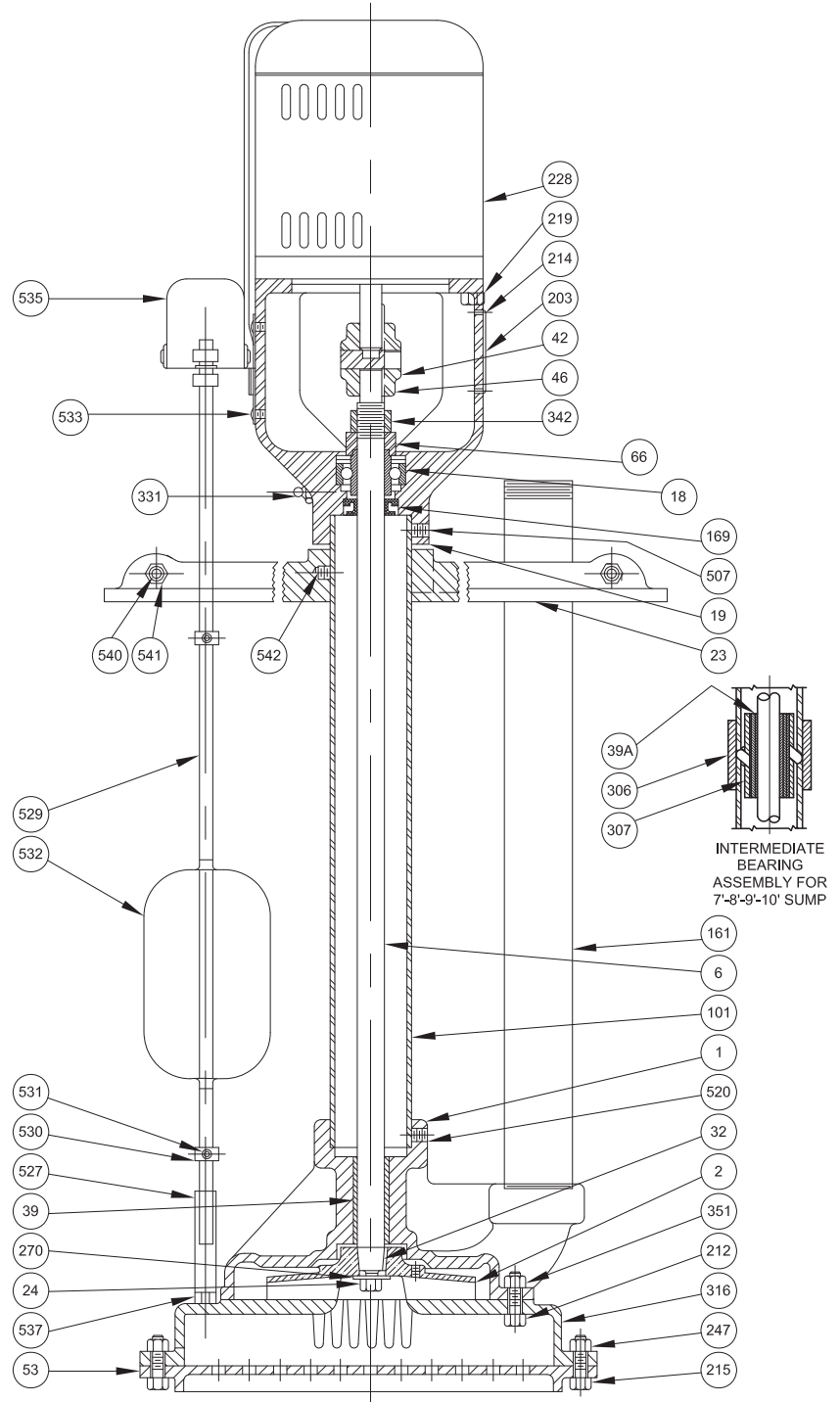


Fig. 4507 - Type A

Please Order by the Part No.

Item No.	Name Of Part
1	Casing
2	Impeller
6	Shaft
* 18	Ball Bearing
19	Frame
23	Base Plate
* 24	Impeller Nut
32	Impeller Key
37	Bearing Cover
* 39	Bottom Bearing Bushing
* 39A	Int. Bearing Bushing
42	Coupling
46	Coupling Key
53	Base
66	Shaft Adjusting Nut
69	Lock Washer
99	Int. Bearing Housing
101	Column Pipe
161	Discharge Fitting
* 169	Shaft Seal
203	Nameplate
212	Cap Screw
213	Cap Screw
214	Drive Screw
215	Cap Screw
219	Cap Screw
228	Motor
247	Hex Nut
270	Impeller Washer
306	Column Pipe Coupling
307	Bearing Retainer
316	Strainer
331	Grease Fitting
342	Set Screw
351	Hex Nut
507	Set Screw
520	Set Screw
527	Float Rod Guide
529	Float Rod
530	Collar
531	Set Screw
532	Float
533	Machine Screw
535	Float Switch
537	Cap Screw
540	Cap Screw
541	Hex Nut
542	Set Screw
543	Switch Mounting Plate (Not Shown)



NOTE: The drawing shows previous construction which was superseded in January 1981.

* Recommended spare parts



WARNING:
CANCER AND REPRODUCTIVE HARM -
WWW.P65WARNINGS.CA.GOV

Repair Parts

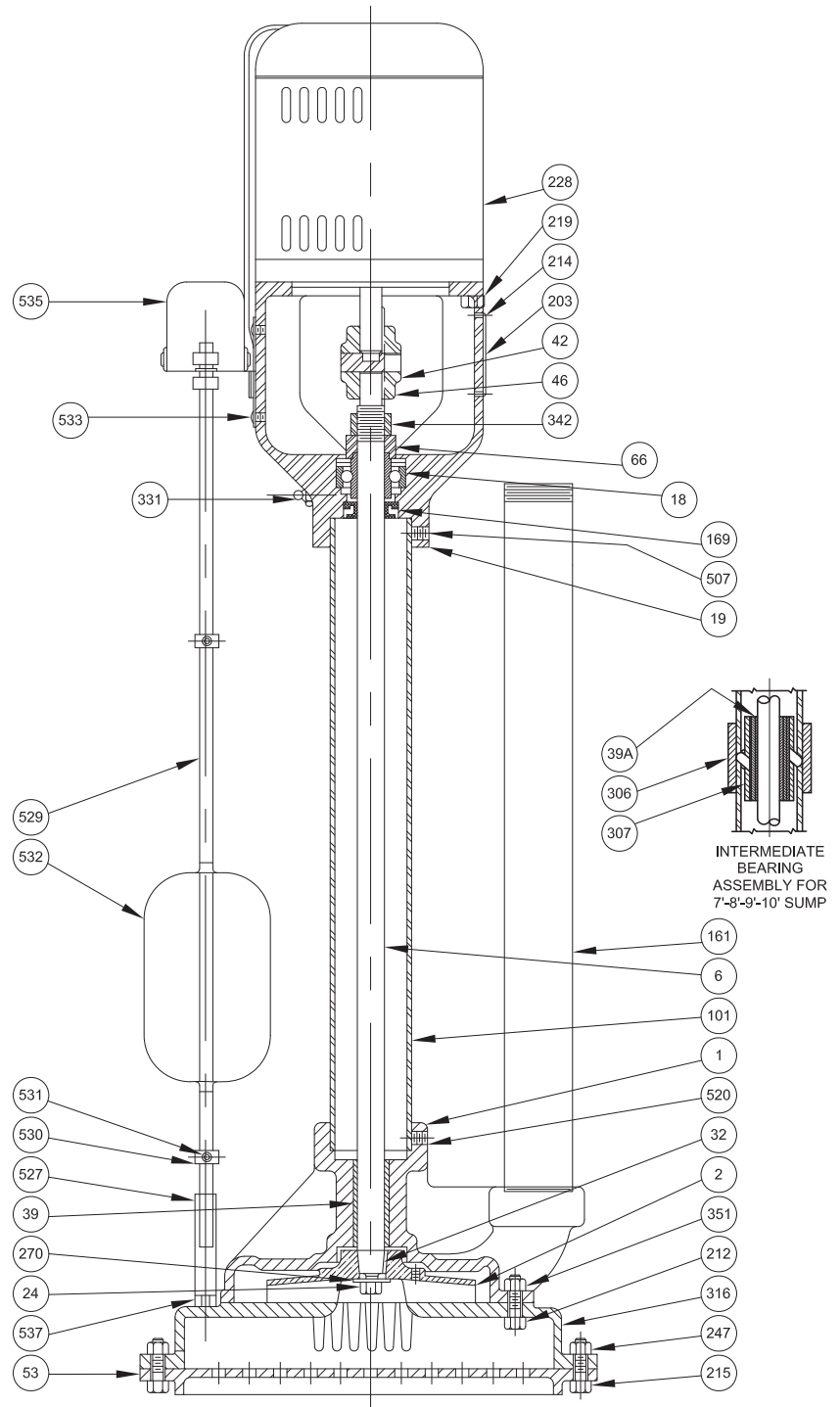
Fig. 4507					
Please Order by the Part No.					
Item No.	Current Construction		Name and Description	Previous Construction	
	Part No.	Dwg. No.		Part No.	Dwg. No.
1	0045066	33326	Casing	0045066	33326
2	0044541	26782	Impeller - Bronze	0044541	26782
6	0096059	28751	Shaft (2ft. Setting) 416 SS	0044536	26777
	0096060		Shaft (3ft. Setting) 416 SS	0044537	
	0096061		Shaft (4ft. Setting) 416 SS	0044538	
	0096062		Shaft (5ft. Setting) 416 SS	0044539	
	0096063		Shaft (6ft. Setting) 416 SS	0044540	
* 18	0096082	ND 7604	Ball Bearing - Thrust	0036294	SMN012K-MWA
19	0096033	34879	Frame (Motor Support)	0045072	33329
23	0014079	-	Split Base Plate - 20" Dia. Std.	0014079	-
	0039814	-	Split Base Plate - 28" Dia. Optional	0039814	-
* 24	0003072	-	Impeller Nut	0003072	-
32	0065013	-	Impeller Key	0065013	-
37	0096035	121-022	Bearing Cover	NR	-
* 39	0043835	117-944	Bottom Bearing Bushing	0043835	117-944
* 39A	0096058	110-508	Int. Bearing Bushing (6ft. Setting only)	0021961	110-508
42	0022453	-	Coupling - Lovejoy L-075	0022453	-
46	0002192	114-932	Key	0002192	114-932
53	0045070	33328	Base	0045070	33328
66	0006031	N-0-4	Adjusting Nut	0036284	18284
69	0039992	W-O-4	Lock Washer	NR	-
101	0043830	117-992	Column Pipe (2ft. Setting)	0043830	-
	0043831		Column Pipe (3ft. Setting)	0043831	117-992
	0043832		Column Pipe (4ft. Setting)	0043832	-
	0043833		Column Pipe (5ft. Setting)	0043833	-
	0043834		Column Pipe (6ft. Setting)	0043834	-
161	0036313	114-983	Discharge Pipe - 1½" (2ft. Setting)	0036313	-
	0036314		Discharge Pipe - 1½" (3ft. Setting)	0036314	114-983
	0036315		Discharge Pipe - 1½" (4ft. Setting)	0036315	-
	0036316		Discharge Pipe - 1½" (5ft. Setting)	0036316	-
	0036317		Discharge Pipe - 1½" (6ft. Setting)	0036317	-
* 169	0036295	-	Shaft Seal	0036295	-
212	Q15-7-E26	⅜" x 1½"	Cap Screw - Item 1 to 316 (6 Req'd)	0000402	⅜" x 1¼"
213	0077305	¼" x ⅝"	Cap Screw - For Item 37	NR	-
215	Q15-7-E26	⅜" x 1½"	Cap Screw - Item 53 to 316 (4 Req'd)	0000402	⅜" x 1¼"
219	0000395	⅜" x ¾"	Cap Screw - Item 19 to 228 (4 Req'd)	0000395	⅜" x ¾"
270	0000211	18098	Impeller Washer	0000211	18098
306	0005745	-	Column Pipe Coupling (6ft. Setting only)	0005745	-
307	0044399	118289	Inter. Bearing Retainer (6ft. Setting)	0044399	118-289
316	0045068	33327	Suction Head Strainer	0045068	33327
331	0003131	-	Grease Fitting	0003131	-
342	NR	-	Set Screw for Item 66	0001463	¼" x ¼"
351	0001168	⅜"	Hex Nut for Item 212	0001168	⅜"
507	0006700	⅜" x ½"	Set Screw - Item 19 to 101 (3 Req'd)	0006700	⅜" x ½"
520	0006700	⅜" x ½"	Set Screw - Item 1 to 101 (3 Req'd)	0006700	⅜" x ½"
527	0043829	117-911	Float Rod Guide	0043829	117-911
528	0000342	¼" x ½"	Cap Screw	0000342	¼" x ½"
529	0075498	114-576	Float Rod (2' Sump) Fiberglass	0075498	-
	0075499		Float Rod (3' Sump)	0075499	-
	0075500		Float Rod (4' Sump)	0075500	114-576
	0075502		Float Rod (5' & 6' Sump)	0075502	-
530	0068382	-	Float Rod Collar w/ Set Screw (5 Req'd)	0068382	-
532	0002499	18774	Float - 6" S.S.	0002499	-
533	0001494	¼" x ⅝"	Machine Screw - Item 543 to 19 (2 Req'd)	0001494	¼" x ⅝"
535	0026133	-	Float Switch (9036 DG2) Drip Proof	0026133	-
	0002905	-	Float Switch (9036 DR31C) Totally Enclosed and Explosion Proof	0002905	-
540	0000388	⅝ ₁₆ x 2"	† Cap Screw - for cover plate (3 Req'd)	0000388	⅝ ₁₆ x 2"
541	0000113	⅝ ₁₆ "	† Hex Nut for Item 540 (3 Req'd)	0000113	⅝ ₁₆ "
542	0002508	⅜" x 1"	† Set Screw - Item 23 to 101 (4 Req'd)	0002508	⅜" x 1"
543	0044065	118-107	Switch Mounting Plate	0044065	118-107

† Items 540, 541, and 542 are included in items 23 cover plate assembly.
NOTE: Current Construction replaced previous construction in June 1980.

Fig. 4507 - Type B

Please Order by the Part No.

Item No.	Name Of Part
1	Casing
2	Impeller
6	Shaft
* 18	Ball Bearing
19	Frame
* 24	Impeller Nut
32	Impeller Key
37	Bearing Cover
* 39	Bottom Bearing Bushing
* 39A	Int. Bearing Bushing
42	Coupling
46	Coupling Key
53	Base
66	Shaft Adjusting Nut
69	Lock Washer
99	Int. Bearing Housing
101	Column Pipe
* 169	Shaft Seal
203	Nameplate
212	Cap Screw
213	Cap Screw
214	Drive Screw
215	Cap Screw
219	Cap Screw
228	Motor
247	Hex Nut
270	Impeller Washer
306	Column Pipe Coupling
307	Bearing Retainer
331	Grease Fitting
342	Set Screw
351	Hex Nut
527	Float Rod Guide
529	Float Rod
530	Collar
531	Set Screw
532	Float
534	Machine Screw
537	Cap Screw
543	Switch Mounting Plate (Not Shown)



NOTE: The drawing shows previous construction which was superseded in January 1981.

* Recommended spare parts



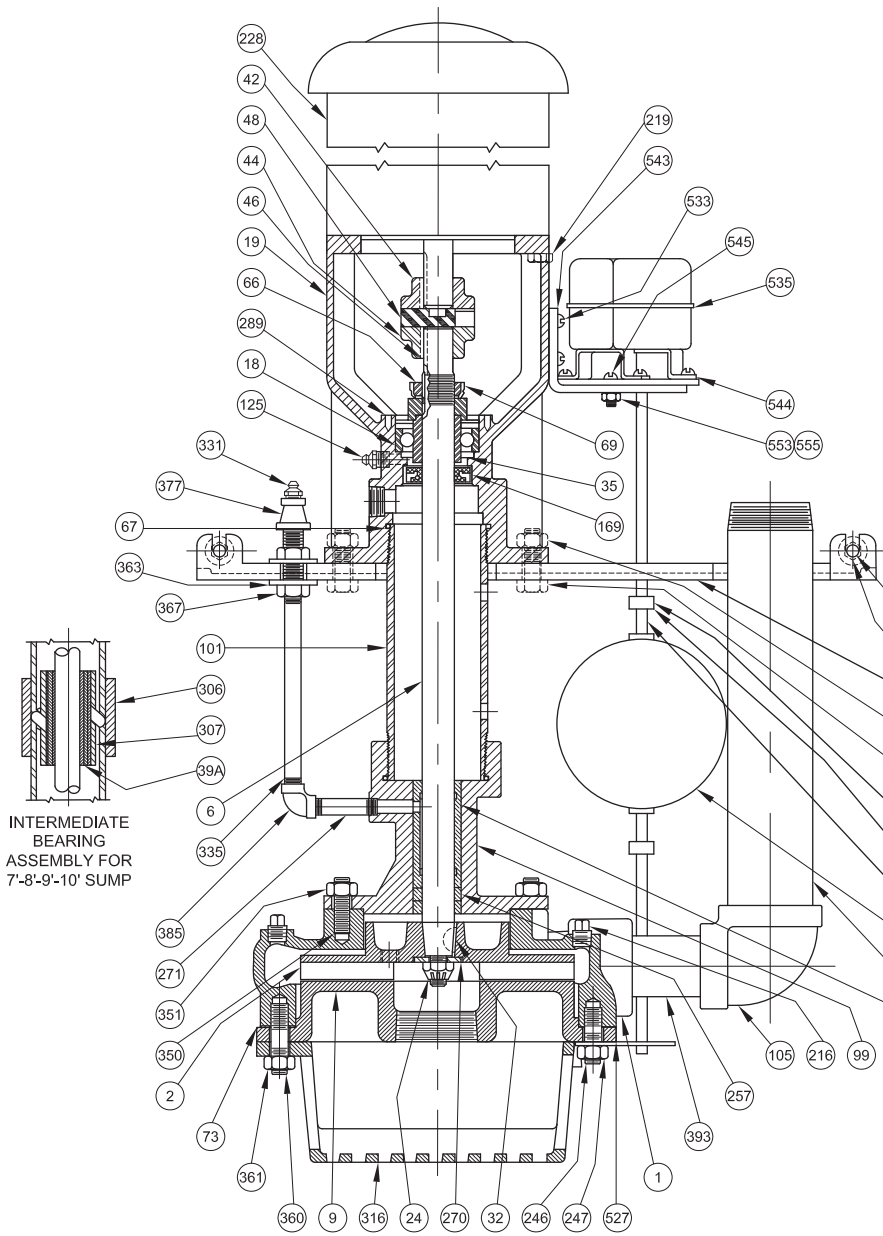
WARNING:
CANCER AND REPRODUCTIVE HARM -
WWW.P65WARNINGS.CA.GOV

Repair Parts

Fig. 4508 - Type A

Please Order by the Part No.

Item No.	Name Of Part
1	Casing
2	Impeller
6	Shaft
9	Suction Cover
* 18	Ball Bearing
19	Frame
23	Split Cover Plate
* 24	Impeller Nut
32	Impeller Key
35	Bearing Cover
39	Bottom Bearing Bushing
39A	Int. Bearing Bushing
42	Coupling Half - Driver
44	Coupling Half - Pump
46	Coupling Key
48	Coupling Spider
66	Shaft Adjusting Nut
67	Shim
69	Bearing Lock Washer
* 73	Gasket
99	Int. Bearing Housing
101	Column Pipe
101A	Column Pipe - Top
105	Discharge Elbow
125	Grease Fitting
161	Discharge Pipe
* 169	Lip Seal
216	Pipe Plug
219	Motor Cap Screw
228	Motor
246	Stud - Suction Cover
247	Hex Nut
* 257	Choker Ring
258	Hex Nut
270	Impeller Washer
271	Nipple
277	Cap Screw - Frame
289	Cap Screw
306	Column Pipe Coupling
307	Int. Bearing Retainer
316	Strainer
331	Grease Fitting
335	Lube Pipe
350	Stud - Casing
351	Hex Nut
360	Stud - Strainer
361	Hex Nut
363	Washer
367	Pipe Nut
377	Reducer
385	Elbow
393	Nipple
527	Float Rod Guide
529	Float Rod
530	Collar
531	Set Screw
532	Float
533	Machine Screw
535	Float Switch
540	Bolt - Split Cover
541	Hex Nut
543	Mounting Bracket
544	Mounting Plate
545	Machine Screw
553	Machine Screw
555	Hex Nut



WARNING:
CANCER AND REPRODUCTIVE HARM -
WWW.P65WARNINGS.CA.GOV

* Recommended spare parts

Fig. 4508 - Type B

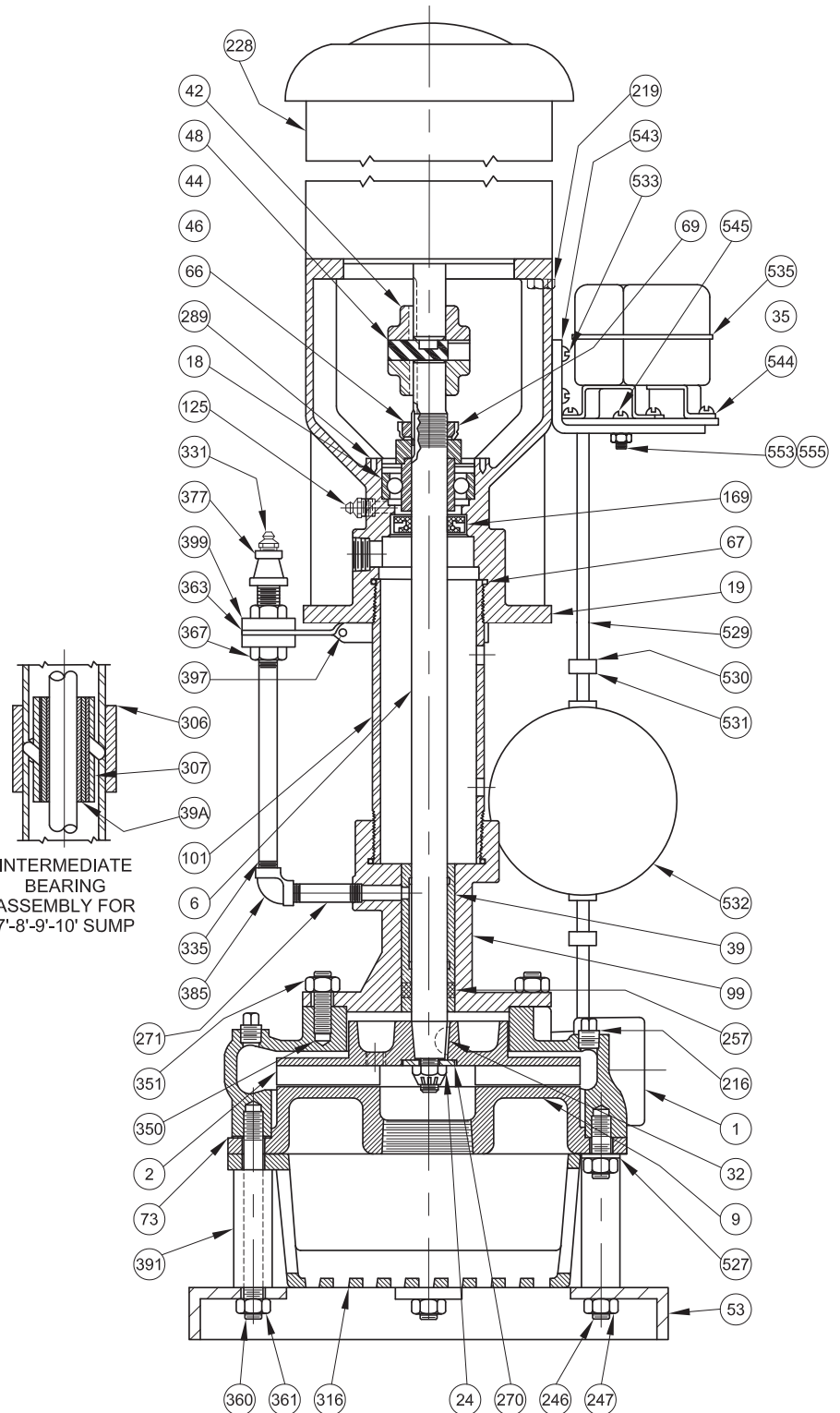
Please Order by the Part No.

Item No.	Name Of Part
1	Casing
2	Impeller
6	Shaft
9	Suction Cover
* 18	Ball Bearing
19	Frame
* 24	Impeller Nut
32	Impeller Key
35	Bearing Cover
39	Bottom Bearing Bushing
39A	Int. Bearing Bushing
42	Coupling Half - Driver
44	Coupling Half - Pump
46	Coupling Key
48	Coupling Spider
53	Base
66	Shaft Adjusting Nut
67	Shim
69	Lock Washer
* 73	Gasket
99	Int. Bearing Housing
101	Column Pipe
101A	Column Pipe - Top
125	Grease Fitting
169	Lip Seal
216	Pipe Plug
219	Cap Screw
228	Motor
246	Stud - Suction Cover
247	Hex Nut
* 257	Choker Ring
270	Impeller Washer
271	Nipple
289	Cap Screw
306	Column Pipe Coupling
307	Bearing Retainer
316	Strainer
331	Grease Fitting
335	Lube Pipe
350	Stud - Casing
351	Hex Nut
360	Stud - Strainer
361	Hex Nut
363	Washer
367	Pipe Nut
377	Reducer
385	Elbow
391	Spacer Nipple
397	Bolt & Nut
399	Lube Pipe Bracket
527	Float Rod Guide
529	Float Rod
530	Collar
531	Set Screw
532	Float
533	Machine Screw
535	Float Switch
543	Mounting Bracket
544	Mounting Plate
545	Machine Screw
553	Machine Screw
555	Hex Nut

* Recommended spare parts



WARNING:
 CANCER AND REPRODUCTIVE HARM -
 WWW.P65WARNINGS.CA.GOV



Parts for Fig. 4508

Industrial Section 40M
Bulletin 95

DEMING®

www.cranepumps.com

Repair Parts

Item 1 - Casing Assembly					
Pump Size	Type A Unit		Type B Unit		Dwg. No.
	C.I. Part No.	Bronze Part No.	C.I. Part No.	Bronze Part No.	
1¼ S	0068372	0068373	0068378	0068379	4784
1½	0068370	0068371	0068376	0068377	4849
2½	0068374	0068375	0068380	0068381	4845

* Item 73 - Casing Gasket - Vellutex		
Pump Size	Part No.	Dwg. No.
1¼ S	0004476	111-779
1½	0004466	112-247
2½	0004468	1128509

Item 2 - Impeller					
Pump Size	Cast Iron Part No.	Bronze Part No.	Dwg. No.	316 SS Part No.	Dwg. No.
1¼ S	0010951	0010960	24587	-	-
1½	0010690	0010702	25063	0010758	24864
2½	0010812	0010828	25055	-	-

Item 9 - Suction Cover w/ Pipe Plugs			
Pump Size	Cast Iron Part No.	Bronze Part No.	Dwg. No.
1¼ S	0030079	0034203	24588
1½	0030077	0034201	24891
2½	0030078	0034202	25056

Item 99 - Bearing Housing Assembly			
Bearing Bushing Material	For Standard Fitted Units	For All Iron Fitted Units	For All Bronze Fitted Units
Bronze †	0059993	-	0059995
Cast Iron †	-	0059994	-
Graphite †	0059996	0059996	0059997
Rubber ††	0059998	0059999	0060000

† Includes bearing housing, bottom bearing bushing, and choker ring. (No choker ring with graphite bushing)
†† Includes bearing housing rubber bushing, lantern ring & washer.

Bearing Housing Parts							
Item No.	for Bearing Bushing Material	Bronze or Cast Iron		Graphite		Rubber	
	Name & Description	Part No.	Dwg. No.	Part No.	Dwg. No.	Part No.	Dwg. No.
99	Bearing Housing - Cast Iron	0013794	25698	0024577	25770	0024577	25770
	Bearing Housing - #8 Bronze	0013892	25698	0024598	25770	0024598	25770
* 39	Bottom Bearing Bushing - Cast Iron	0020629	114-581	-	-	-	-
	Bottom Bearing Bushing - Bronze	0017323	114-566	-	-	-	-
	Bottom Bearing Bushing - Graphite	-	-	0054159	113-299	-	-
	Bottom Bearing Bushing - Rubber	-	-	-	-	0008619	115-000
* 257	Choker Ring - Cast Iron	0020631	114-581	-	-	-	-
	Choker Ring - Bronze	0020632	114-581	-	-	-	-
-	Washer - Brass	-	-	-	-	0000310	110-496
	Washer - SS	-	-	-	-	0027028	110-496
-	Snap Ring - Brass	-	-	-	-	0012882	1916
	Snap Ring - SS	-	-	-	-	0027027	1916

Shaft Trim							
Item No.	for Pump Size	1¼ S		1½		2½	
	Name & Description	Part No.	Dwg. No.	Part No.	Dwg. No.	Part No.	Dwg. No.
* 24	Impeller Nut	0005214	-	0005214	-	0005214	-
32	Impeller Key - Woodruff	0030942	-	0065013	-	0065013	-
270	Impeller Washer	0074626	18098	0065019	18098	0065019	18098

* Recommended spare parts

SECTION 95
PAGE 176
DATE 7/08

CRANE®

A Crane Co. Company

PUMPS & SYSTEMS

USA: (937) 778-8947 • Canada: (905) 457-6223 • International: (937) 615-3598

Repair Parts

Item 316 - Strainer			
Pump Size	Cast Iron Part No.	Bronze Part No.	Dwg. No.
1¼ S	0004201	0014719	32306
1½	0004162	0013480	25065
2½	0004160	0016233	25068

Item 53 - Base (Type B Units Only)			
Pump Size	Cast Iron Part No.	Bronze Part No.	Dwg. No.
1¼ S	0080379	0020695	114-569
1½	0078742	0020636	114-579
2½	0078742	0020636	114-579

Studs and Nuts - Type A Units							
Item No.	Pump Size	Name and Description	Std. Fitted & A-1 Units		All Bronze Units		Where Used
			Part No.	Quantity	Part No.	Quantity	
246	1¼ S	Stud ½" x 1½"	0000580	4	0010273	4	Suction Head to Casing
247		Hex Nut ½"	0001179	4	0005967	4	
350		Stud ½" x 1½"	0000580	4	0010273	4	Support Head to Casing
351		Hex Nut ½"	0001179	4	0005967	4	
360	1½ & 2½	Stud ½" x 1¾"	0000582	4	0006751	4	Strainer to Casing
361		Hex Nut ½"	0001179	4	0005967	4	
246		Stud ½" x 1½"	0000580	4	0010273	4	Suction Head to Casing
247		Hex Nut ½"	0001179	4	0005967	4	
350	1½ & 2½	Stud ¾" x 1¾"	0000519	4	0020658	4	Support Head to Casing
351		Hex Nut ¾"	0001168	4	05536	4	
360		Stud ½" x 1¾"	0000582	2	0006751	2	Strainer to Casing
361		Hex Nut ½"	0001179	2	0005967	2	

Studs and Nuts - Type B Units							
Item No.	Pump Size	Name and Description	Std. Fitted & A-1 Units		All Bronze Units		Where Used
			Part No.	Quantity	Part No.	Quantity	
246	1¼ S	Stud ½" x 1¾"	0000582	4	0006751	4	Strainer to Casing
247		Hex Nut ½"	0001179	4	0005967	4	
350		Stud ½" x 1½"	0000580	4	0010273	4	Brg Housing to Casing
351		Hex Nut ½"	0001179	4	0005967	4	
360	1½ & 2½	Stud ½" x 5¼"	0000603	4	0020698	4	Suction Cover to Casing
361		Hex Nut ½"	0001179	4	0005967	4	
391		Spacer Nipple	0000698	4	0020697	4	to Base
246		Stud ½" x 1¾"	0000582	2	0006751	2	Strainer to Casing
247	Hex Nut ½"	0001179	2	0005967	2		
350	1½ & 2½	Stud ¾" x 1¾"	0000519	4	0020658	4	Brg Housing to Casing
351		Hex Nut ¾"	0001168	4	05536	4	
360		Stud ½" x 4"	0000598	4	0011413	4	Suction Cover to Casing
361		Hex Nut ½"	0001179	4	0005967	4	
391	Spacer Nipple	0000696	4	0020657	4	to Base	

NOTE: All bronze units use 416 SS Studs and brass nuts.

Repair Parts

Frame (19) and Accessories

Please Order by the Part No.

Item No.	Name and Description	Current Construction		Previous Construction	
		Part No.	Dwg. No.	Part No.	Dwg. No.
* 18	Ball Bearing	0038378	ND3305	0005398	1" MVOA
19	Frame	0096028	34878	0019658	32703
-	Adapter Plate (For motor frame 182TC & 184TC)	0015271	23719	0015271	23719
35	Bearing Cover	0096030	121-021	NR	-
46	Coupling Key	0002194	114-932	0002194	114-932
66	Adjusting Nut	0003289	N05	0003289	N05
69	Lock Washer	0003290	W05	0003290	W05
125	Grease Fitting	0003131	-	0003131	-
* 169	Grease Seal	0004545	-	0004545	-
202	Snap Ring	0038377	-	NR	-
219	Cap Screw - Item 19 to motor (4 Req'd)	0000397	3/8" x 1"	0000397	3/8" x 1"
258	Hex Nut - For Item 277 (4 Req'd)	0001179	1/2"	0001179	1/2"
277	Cap Screw - Item 19 to 23 (4 Req'd)	0000437	1/2" X 1 1/4"	0000437	1/2" x 1 1/4"
289	Cap Screw - Item 35 to 19 (2 Req'd)	0000345	1/4" X 3/8"	NR	-

NR - Not Required

† Item 6 - Shafts with Trim - Current Construction

Pump Setting	3/8" Taper - For Pump Sizes 1 1/2 and 2 1/2			1" Taper - For Pump Size 1 1/4 S		
	1045 Steel Part No.	316 SS Part No.	Dwg. No.	1045 Steel Part No.	316 SS Part No.	Dwg. No.
2	0096122	0099246	28750	0096131	0099255	28749
3	0096123	0099247		0096132	0099256	
4	0096124	0099248		0096133	0099257	
5	0096125	0099249		0096134	0099258	
6	0096126	0099250		0096135	0099259	
7	0096127	0099251		0096136	0099260	
8	0096128	0099252		0096137	0099261	
9	0096129	0099253		0096138	0099262	
10	0096130	0099254		0096139	0099263	

† Shafts with Trim - Previous Construction

Pump Setting	3/8" Taper - For Pump Sizes 1 1/2 and 2 1/2			1" Taper - For Pump Size 1 1/4 S		
	1045 Steel Part No.	316 SS Part No.	Dwg. No.	1045 Steel Part No.	316 SS Part No.	Dwg. No.
2	0059956	0059965	114-564	0059974	0059985	114-565
3	0059957	0059966		0059975	0059986	
4	0059958	0059967		0059976	0059987	
5	0059959	0059968		0059977	0059988	
6	0059960	0059969		0059978	0059989	
7	0059961	0059970		0059979	0059990	
8	0059962	0059971		0059980	0059991	
9	0059963	0059972		0059981	0059992	
10	0059964	0059973		0059982	0059993	

316 SS replaces 302 SS

NOTE: Current Construction replaced previous Construction in January 1980.

* Recommended spare parts

Repair Parts

Column Pipe				
Item No.	Pump Setting	Steel Part No.	Red Brass Dwg. No.	Dwg. No.
101	2'	0017985	0020516	114-567
	3'	0017986	0020517	
	4'	0017987	0020518	
	5'	0017988	0020519	
	6'	0017989	0020520	
101A - Top 101 - Bottom	7'	0017989 0017985	0025020 0020516	114-567
101A - Top 101 - Bottom	8'	0017989 0017985	0025020 0020517	114-567
101A - Top 101 - Bottom	9'	0017989 0017987	0025020 0020518	114-567
101A - Top 101 - Bottom	10'	0017898 0017988	0025020 0020519	114-567

† These items for Sump depths over 6ft.

†† These items for Type B Units only.

† Item 306 Column Pipe Plug		
Steel Part No.	Bronze Part No.	Dwg. No.
0020059	0020652	112-446

† Item 307 Inter Bearing Retainer Assembly		
Cast Iron Part No.	Bronze Part No.	Dwg. No.
0019144	0019146	114-568

* † Item 39A Intermediate Bearing Bushing		
Part No.	Material	Dwg. No.
0054159	Graphalloy	113-299

† Inter. Bearing Retainer Assembly Includes Inter. Bearing Retainer and Bushing	
For Steel Fitted and A-1 Units	For all Bronze Units
0019148	-

†† Item 399 - Lube Pipe Bracket (2 Req'd)		
Steel Part No.	Bronze Part No.	Dwg. No.
0020633	0020634	114-570

Item 529 - Float Rod Only			
Pump Setting	Fiberglass Part No.	316 SS Part No.	Dwg. No.
2	0075489	0020611	114-576
3	0075490	0020612	
4	0075491	0020613	
5	0075492	0020614	
6	0075493	0020615	
7	0075494	0020616	
8	0075495	0020617	
9	0075496	0020618	
10	0075497	0020619	

Item 531 - Collar with Set Screw (5 Req'd)		
Brass Part No.	416 SS Part No.	Dwg. No.
0068382	0068383	18087