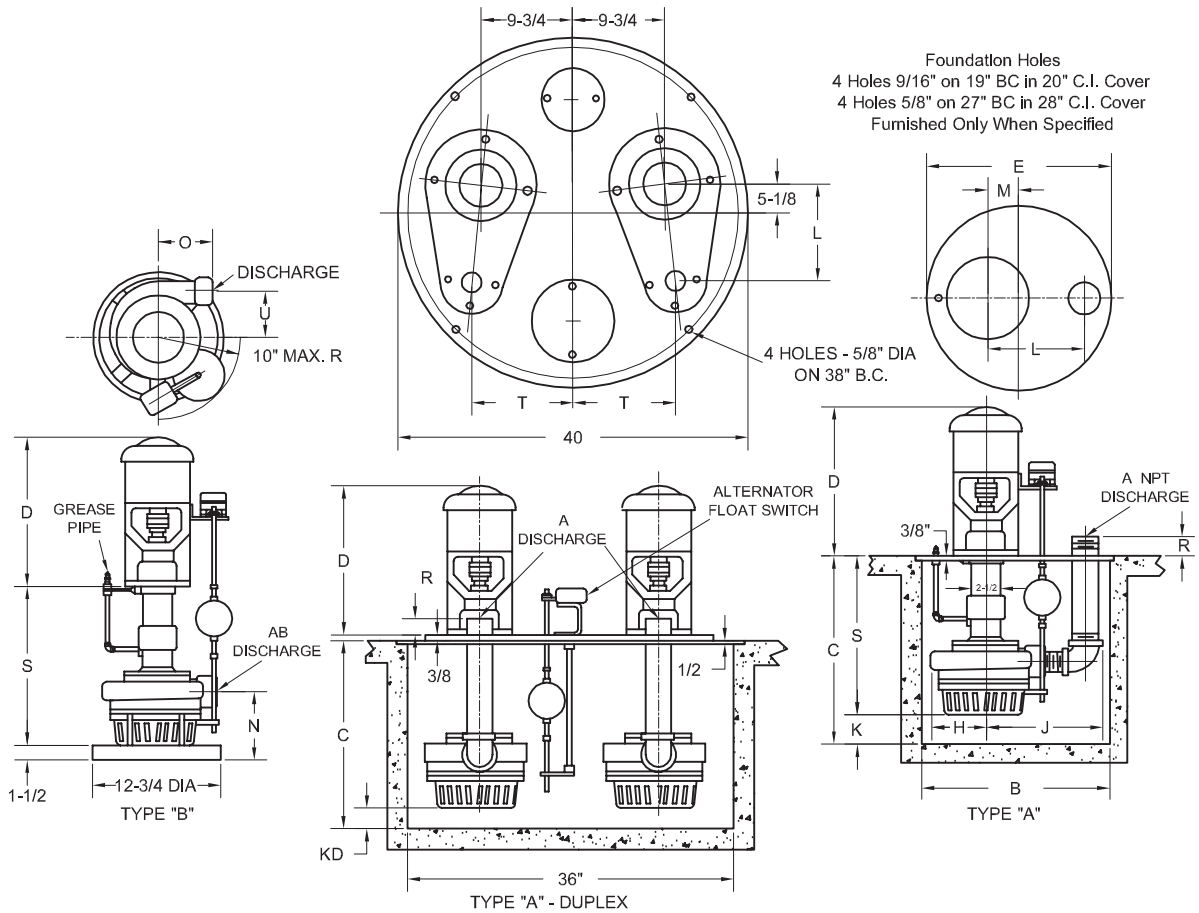


### Medium Sump or Drainage Pumps



| UNIT | HP    | A     | B              | C                                  | D       | E              | H       | J       | K       | L      | M     | N      | O      | R      | S            | AB           | T      | U     | KD    |
|------|-------|-------|----------------|------------------------------------|---------|----------------|---------|---------|---------|--------|-------|--------|--------|--------|--------------|--------------|--------|-------|-------|
| 2J   | 1/2   | 1 1/2 | 18<br>or<br>24 | 2 Ft. to 10 Ft. in 1 Ft. Multiples | 21      | 20             | 4 1/4   | 11 1/4  | 4 3/8   | 10     | 3     | 5 1/2  | 5 1/2  | 1 3/4  | 19 5/8       | 1 1/2<br>NPT | 11 1/2 | 3 3/4 | 4 7/8 |
| 3J   | 3/4   | 1 1/2 |                |                                    | 21      |                | 4 1/4   | 11 1/4  | 4 3/8   | 10     | 3     | 5 1/2  | 5 1/2  | 1 3/4  | 19 5/8       |              | 11 1/2 | 3 3/4 | 4 7/8 |
| 2K   | 1/2   | 2     |                |                                    | 21      | 4 1/4          | 11 1/4  | 4 3/8   | 9 3/4   | 3      | 5 1/2 | 5 1/2  | 1 3/4  | 19 5/8 | 11 3/8       |              | 3 3/4  | 4 7/8 |       |
| 3K   | 3/4   | 2     |                |                                    | 21      | 4 1/4          | 11 1/4  | 4 3/8   | 9 3/4   | 3      | 5 1/2 | 5 1/2  | 1 3/4  | 19 5/8 | 11 3/8       |              | 3 3/4  | 4 7/8 |       |
| 4K   | 1     | 2     | 24             |                                    | 22 1/2  | 28             | 4 1/4   | 11 1/4  | 4 3/8   | 9 3/4  | 3     | 5 1/2  | 5 1/2  | 1 3/4  | 19 5/8       | 1 1/2<br>NPT | 11 3/8 | 3 3/4 | 4 7/8 |
| 4L   | 1     | 2 1/2 |                |                                    | 22 1/2  |                | 4 1/4   | 12 5/8  | 4 3/8   | 11     | 4     | 5 1/2  | 5 1/2  | 2 1/8  | 19 5/8       |              | 11 3/8 | 3 3/4 | 4 7/8 |
| 5J   | 3/4   | 1 1/2 | 18<br>or<br>24 |                                    | 21      | 20<br>or<br>28 | 5 3/8   | 11 1/16 | 2 7/8   | 9 1/16 | 3     | 7      | 5 1/2  | 1 3/4  | 21 1/8       | 1 1/4<br>NPT | 11 1/2 | 4 3/4 | 3 3/8 |
| 6J   | 1     | 1 1/2 |                |                                    | 22 1/2  |                | 5 3/8   | 11 1/16 | 2 7/8   | 9 1/16 | 3     | 7      | 5 1/2  | 1 3/4  | 21 1/8       |              | 11 1/2 | 4 3/4 | 3 3/8 |
| 7J   | 1 1/2 | 1 1/2 |                |                                    | 22 1/2  |                | 5 3/8   | 11 1/16 | 2 7/8   | 9 1/16 | 3     | 7      | 5 1/2  | 1 3/4  | 21 1/8       |              | 11 1/2 | 4 3/4 | 3 3/8 |
| 5K   | 3/4   | 2     |                |                                    | 21      |                | 5 3/8   | 11 1/16 | 2 7/8   | 9 1/16 | 3     | 7      | 5 1/2  | 1 3/4  | 21 1/8       |              | 11 3/8 | 4 3/4 | 3 3/8 |
| 6K   | 1     | 2     | 24             |                                    | 22 1/2  | 28             | 5 3/8   | 11 1/16 | 2 7/8   | 9 1/16 | 3     | 7      | 5 1/2  | 1 3/4  | 21 1/8       | 1 1/4<br>NPT | 11 3/8 | 4 3/4 | 3 3/8 |
| 7K   | 1 1/2 | 2     |                |                                    | 22 1/2  |                | 5 3/8   | 11 1/16 | 2 7/8   | 9 1/16 | 3     | 7      | 5 1/2  | 1 3/4  | 21 1/8       |              | 11 3/8 | 4 3/4 | 3 3/8 |
| 11L  | 1 1/2 | 2 1/2 | 24             | 22 1/2                             | 28      | 5 1/2          | 13 1/16 | 2 5/8   | 11 3/16 | 4      | 7     | 6 1/4  | 2 3/8  | 21 3/8 | 2 1/2<br>NPT | 11 3/4       | 4 3/4  | 3 1/8 |       |
| 12L  | 2     | 2 1/2 |                | 24 5/8                             |         | 5 1/2          | 13 1/16 | 2 5/8   | 11 3/16 | 4      | 7     | 6 1/4  | 2 3/8  | 21 3/8 |              | 11 3/4       | 4 3/4  | 3 1/8 |       |
| 10N  | 1     | 3     |                | 22 1/2                             |         | 5 1/2          | 13 1/16 | 2 5/8   | 11 3/16 | 4      | 7     | 6 1/4  | 2 3/4  | 21 3/8 |              | 11 3/4       | 4 3/4  | 3 1/8 |       |
| 11N  | 1 1/2 | 3     |                | 22 1/2                             |         | 5 1/2          | 13 1/16 | 2 5/8   | 11 3/16 | 4      | 7     | 6 1/4  | 2 3/4  | 21 3/8 |              | 11 3/4       | 4 3/4  | 3 1/8 |       |
| 12N  | 2     | 3     | 24 5/8         | 5 1/2                              | 13 1/16 | 2 5/8          | 11 3/16 | 4       | 7       | 6 1/4  | 2 3/4 | 21 3/8 | 11 3/4 | 4 3/4  | 3 1/8        |              |        |       |       |

Not to be used for construction purposes unless confirmed by factory.

