

**Fig. 4240**

**Sizes: 1, 1½, 1¼S, 1½S, 2S, 1½M & 2M**

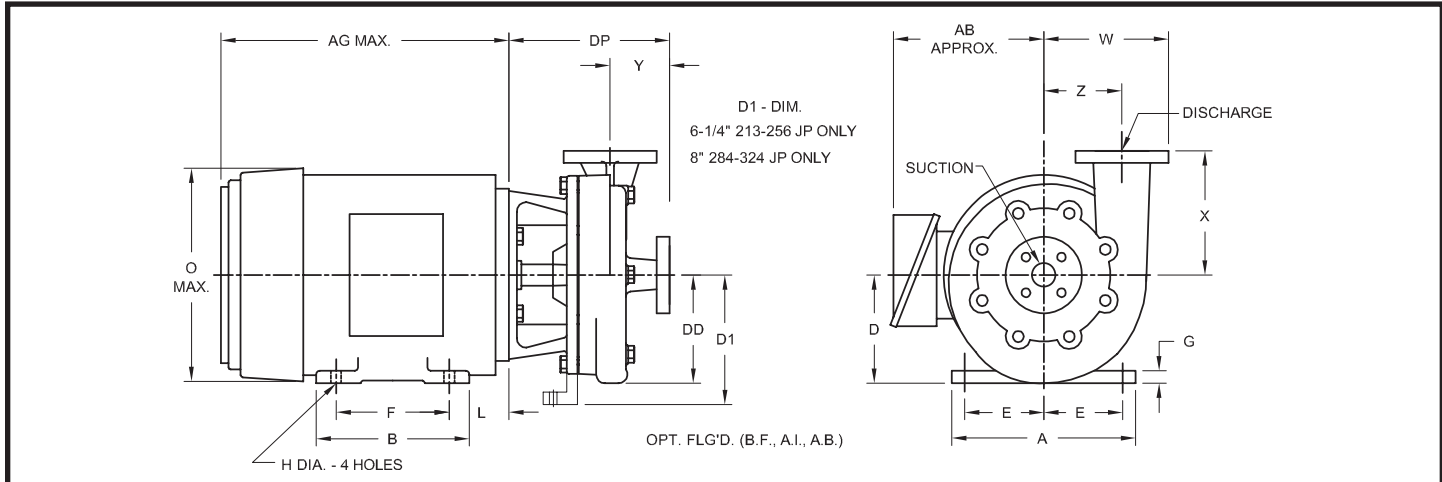
Standard Flanged Construction

Bulletin 4240

# DEMING®

www.cranepumps.com

## Motor-Mount Centrifugal Pumps - Semi-Open Impeller



### PUMP DIMENSIONS - IN INCHES

SIZE	* SUCT.	* DISCH.	JP MOTOR FRAME	DP	DD	W	X	Y	Z
1	1½	1	143 - 184	10 <sup>9</sup> / <sub>16</sub>	4	5¾	5	3¼	3 <sup>5</sup> / <sub>8</sub>
1½	2	1½	143 - 184	10 <sup>13</sup> / <sub>16</sub>	4¼	6½	5½	3 <sup>3</sup> / <sub>8</sub>	4
1¼S	1½	1¼	143 - 184	10 <sup>7</sup> / <sub>8</sub>	5 <sup>3</sup> / <sub>8</sub>	7 <sup>1</sup> / <sub>16</sub>	6	3 <sup>7</sup> / <sub>16</sub>	4¾
1½S	2	1½	143 - 184	11 <sup>5</sup> / <sub>16</sub>	5 <sup>3</sup> / <sub>8</sub>	6 <sup>7</sup> / <sub>8</sub>	5¾	3¾	4 <sup>3</sup> / <sub>8</sub>
2S	2½	2	143 - 184	11 <sup>9</sup> / <sub>16</sub>	5¾	7¾	6¼	3 <sup>3</sup> / <sub>8</sub>	4¾
1½M	2	1½	184	11 <sup>5</sup> / <sub>16</sub>	6 <sup>3</sup> / <sub>8</sub>	8¼	6½	3¾	5¾
2M	3	2	213 - 215	12 <sup>1</sup> / <sub>8</sub>	6½	8¾	7	3 <sup>15</sup> / <sub>16</sub>	5¾
			182 - 184	11 <sup>5</sup> / <sub>8</sub>					
			213 - 256	12 <sup>7</sup> / <sub>16</sub>					

(\*) Flanges 125lb Standard B16.1

### MOTOR DIMENSIONS - IN INCHES

FRAME SIZE	A	B	D	E	F	G	H	L	O	AB	AG
143JP	6½	6	3½	2¾	4	⅛	1 <sup>1</sup> / <sub>32</sub>	2 <sup>7</sup> / <sub>8</sub>	7 <sup>7</sup> / <sub>8</sub>	6 <sup>1</sup> / <sub>8</sub>	9 <sup>7</sup> / <sub>16</sub>
145JP	6½	6	3½	2¾	5	⅛	1 <sup>1</sup> / <sub>32</sub>	2 <sup>7</sup> / <sub>8</sub>	7 <sup>7</sup> / <sub>8</sub>	6 <sup>1</sup> / <sub>8</sub>	9 <sup>7</sup> / <sub>16</sub>
182JP	8 <sup>3</sup> / <sub>8</sub>	6 <sup>3</sup> / <sub>8</sub>	4½	3¾	4½	⅜	1 <sup>3</sup> / <sub>32</sub>	3 <sup>5</sup> / <sub>8</sub>	9 <sup>5</sup> / <sub>16</sub>	6 <sup>15</sup> / <sub>16</sub>	13½
184JP	8 <sup>3</sup> / <sub>8</sub>	6 <sup>3</sup> / <sub>8</sub>	4½	3¾	5½	⅜	1 <sup>3</sup> / <sub>32</sub>	3 <sup>5</sup> / <sub>8</sub>	9 <sup>5</sup> / <sub>16</sub>	6 <sup>15</sup> / <sub>16</sub>	13½
213JP	9½	7 <sup>3</sup> / <sub>8</sub>	5¼	4¼	5½	⅝	7 <sup>1</sup> / <sub>16</sub>	3¾	10 <sup>7</sup> / <sub>8</sub>	8¼	15½
215JP	9½	8 <sup>3</sup> / <sub>8</sub>	5¼	4¼	7	⅝	7 <sup>1</sup> / <sub>16</sub>	3¾	10 <sup>7</sup> / <sub>8</sub>	8¼	17
254JP	11 <sup>3</sup> / <sub>8</sub>	10 <sup>11</sup> / <sub>16</sub>	6¼	5	8¼	1 <sup>1</sup> / <sub>16</sub>	1 <sup>7</sup> / <sub>32</sub>	5	12 <sup>15</sup> / <sub>16</sub>	9 <sup>15</sup> / <sub>16</sub>	20 <sup>7</sup> / <sub>8</sub>
256JP	11 <sup>3</sup> / <sub>8</sub>	12 <sup>7</sup> / <sub>16</sub>	6¼	5	10	1 <sup>1</sup> / <sub>16</sub>	1 <sup>7</sup> / <sub>32</sub>	5	12 <sup>15</sup> / <sub>16</sub>	9 <sup>15</sup> / <sub>16</sub>	21 <sup>7</sup> / <sub>8</sub>
284JP	12 <sup>7</sup> / <sub>8</sub>	12¼	7	5½	9½	¾	1 <sup>7</sup> / <sub>32</sub>	5	13 <sup>11</sup> / <sub>16</sub>	10 <sup>13</sup> / <sub>16</sub>	22 <sup>3</sup> / <sub>8</sub>
286JP	12 <sup>7</sup> / <sub>8</sub>	13¾	7	5½	11	¾	1 <sup>7</sup> / <sub>32</sub>	5	13 <sup>11</sup> / <sub>16</sub>	10 <sup>13</sup> / <sub>16</sub>	23 <sup>3</sup> / <sub>8</sub>
324JP	15¾	13½	8	6¼	10½	1 <sup>1</sup> / <sub>8</sub>	2 <sup>1</sup> / <sub>32</sub>	5½	16 <sup>3</sup> / <sub>16</sub>	14 <sup>1</sup> / <sub>16</sub>	24 <sup>11</sup> / <sub>16</sub>

Motor Dimension Will Vary with Manufacture and Enclosure.

Customer				Shop Order No.			Date:		By:	
Pump Data	Fig. No.	Size	Curve No.	GPM	Head	Sp. Gr.	Temp.	Rotation	Packing/Seal	
Motor Data	MFGR	Hp	RPM	Phase-Cycle Voltage		Frame	Enclosure	Insulation	Furnished by	Mounted

SECTION 20-L-O  
PAGE 10  
DATE 7/07

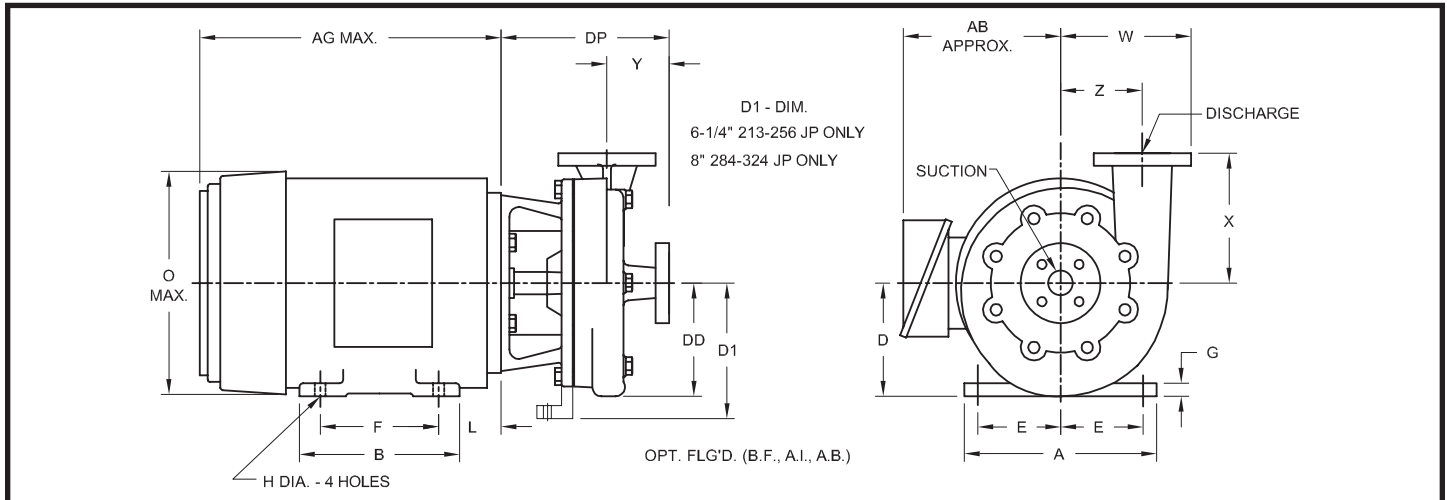


A Crane Co. Company

## PUMPS & SYSTEMS

USA: (937) 778-8947 • Canada: (905) 457-6223 • International: (937) 615-3598

## Motor-Mount Centrifugal Pumps - Semi-Open Impeller



### PUMP DIMENSIONS - IN INCHES

SIZE	* SUCT.	* DISCH.	JP MOTOR FRAME	DP	DD	W	X	Y	Z
3S	4	3	145 - 184	13 <sup>13</sup> / <sub>16</sub>	6	9	7	5 <sup>13</sup> / <sub>16</sub>	5 <sup>1</sup> / <sub>4</sub>
			---	---					
4S	5	4	145 - 184	14 <sup>1</sup> / <sub>4</sub>	7 <sup>1</sup> / <sub>4</sub>	10 <sup>1</sup> / <sub>2</sub>	7	6 <sup>1</sup> / <sub>16</sub>	6
			---	---					
3M	4	3	182 - 184	13 <sup>13</sup> / <sub>16</sub>	7	10	8	5 <sup>13</sup> / <sub>16</sub>	6 <sup>1</sup> / <sub>4</sub>
			213 - 286	14 <sup>5</sup> / <sub>8</sub>					
4M	5	4	184	14 <sup>3</sup> / <sub>8</sub>	7 <sup>1</sup> / <sub>2</sub>	11	9	6 <sup>3</sup> / <sub>8</sub>	6 <sup>1</sup> / <sub>2</sub>
			213 - 286	15 <sup>3</sup> / <sub>16</sub>					
5MS	6	5	184	14 <sup>1</sup> / <sub>4</sub>	8 <sup>3</sup> / <sub>8</sub>	12 <sup>1</sup> / <sub>8</sub>	9	6	7 <sup>1</sup> / <sub>8</sub>
			213 - 286	15 <sup>1</sup> / <sub>16</sub>					
5M	6	5	254 - 286	15 <sup>1</sup> / <sub>16</sub>	8 <sup>3</sup> / <sub>8</sub>	12 <sup>1</sup> / <sub>8</sub>	9	6	7 <sup>1</sup> / <sub>8</sub>
			---	---					
6M	6	6	254 - 286	15 <sup>3</sup> / <sub>8</sub>	10	13 <sup>1</sup> / <sub>2</sub>	9	6 <sup>3</sup> / <sub>16</sub>	8
			---	---					

(\* ) Flanges 125lb Standard B16.1 **NOTE: center line of suction is 1/2" below center line of pump on sizes 4M, 5MS, 5M ONLY**

### MOTOR DIMENSIONS - IN INCHES

FRAME SIZE	A	B	D	E	F	G	H	L	O	AB	AG
143JP	6 <sup>1</sup> / <sub>2</sub>	6	3 <sup>1</sup> / <sub>2</sub>	2 <sup>3</sup> / <sub>4</sub>	4	1/8	1 <sup>1</sup> / <sub>32</sub>	2 <sup>7</sup> / <sub>8</sub>	7 <sup>1</sup> / <sub>8</sub>	6 <sup>1</sup> / <sub>8</sub>	9 <sup>7</sup> / <sub>16</sub>
145JP	6 <sup>1</sup> / <sub>2</sub>	6	3 <sup>1</sup> / <sub>2</sub>	2 <sup>3</sup> / <sub>4</sub>	5	1/8	1 <sup>1</sup> / <sub>32</sub>	2 <sup>7</sup> / <sub>8</sub>	7 <sup>1</sup> / <sub>8</sub>	6 <sup>1</sup> / <sub>8</sub>	9 <sup>7</sup> / <sub>16</sub>
182JP	8 <sup>3</sup> / <sub>8</sub>	6 <sup>3</sup> / <sub>8</sub>	4 <sup>1</sup> / <sub>2</sub>	3 <sup>3</sup> / <sub>4</sub>	4 <sup>1</sup> / <sub>2</sub>	3/8	1 <sup>3</sup> / <sub>32</sub>	3 <sup>5</sup> / <sub>8</sub>	9 <sup>5</sup> / <sub>16</sub>	6 <sup>15</sup> / <sub>16</sub>	13 <sup>1</sup> / <sub>2</sub>
184JP	8 <sup>3</sup> / <sub>8</sub>	6 <sup>3</sup> / <sub>8</sub>	4 <sup>1</sup> / <sub>2</sub>	3 <sup>3</sup> / <sub>4</sub>	5 <sup>1</sup> / <sub>2</sub>	3/8	1 <sup>3</sup> / <sub>32</sub>	3 <sup>5</sup> / <sub>8</sub>	9 <sup>5</sup> / <sub>16</sub>	6 <sup>15</sup> / <sub>16</sub>	13 <sup>1</sup> / <sub>2</sub>
213JP	9 <sup>1</sup> / <sub>2</sub>	7 <sup>3</sup> / <sub>8</sub>	5 <sup>1</sup> / <sub>4</sub>	4 <sup>1</sup> / <sub>4</sub>	5 <sup>1</sup> / <sub>2</sub>	5/8	7 <sup>1</sup> / <sub>16</sub>	3 <sup>3</sup> / <sub>4</sub>	10 <sup>7</sup> / <sub>8</sub>	8 <sup>1</sup> / <sub>4</sub>	15 <sup>1</sup> / <sub>2</sub>
215JP	9 <sup>1</sup> / <sub>2</sub>	8 <sup>3</sup> / <sub>8</sub>	5 <sup>1</sup> / <sub>4</sub>	4 <sup>1</sup> / <sub>4</sub>	7	5/8	7 <sup>1</sup> / <sub>16</sub>	3 <sup>3</sup> / <sub>4</sub>	10 <sup>7</sup> / <sub>8</sub>	8 <sup>1</sup> / <sub>4</sub>	17
254JP	11 <sup>3</sup> / <sub>8</sub>	10 <sup>11</sup> / <sub>16</sub>	6 <sup>1</sup> / <sub>4</sub>	5	8 <sup>1</sup> / <sub>4</sub>	1 <sup>1</sup> / <sub>16</sub>	1 <sup>7</sup> / <sub>32</sub>	5	12 <sup>15</sup> / <sub>16</sub>	9 <sup>15</sup> / <sub>16</sub>	20 <sup>1</sup> / <sub>8</sub>
256JP	11 <sup>3</sup> / <sub>8</sub>	12 <sup>7</sup> / <sub>16</sub>	6 <sup>1</sup> / <sub>4</sub>	5	10	1 <sup>1</sup> / <sub>16</sub>	1 <sup>7</sup> / <sub>32</sub>	5	12 <sup>15</sup> / <sub>16</sub>	9 <sup>15</sup> / <sub>16</sub>	21 <sup>7</sup> / <sub>8</sub>
284JP	12 <sup>7</sup> / <sub>8</sub>	12 <sup>1</sup> / <sub>4</sub>	7	5 <sup>1</sup> / <sub>2</sub>	9 <sup>1</sup> / <sub>2</sub>	3/4	1 <sup>7</sup> / <sub>32</sub>	5	13 <sup>11</sup> / <sub>16</sub>	10 <sup>13</sup> / <sub>16</sub>	22 <sup>3</sup> / <sub>8</sub>
286JP	12 <sup>7</sup> / <sub>8</sub>	13 <sup>3</sup> / <sub>4</sub>	7	5 <sup>1</sup> / <sub>2</sub>	11	3/4	1 <sup>7</sup> / <sub>32</sub>	5	13 <sup>11</sup> / <sub>16</sub>	10 <sup>13</sup> / <sub>16</sub>	23 <sup>3</sup> / <sub>8</sub>
324JP	15 <sup>3</sup> / <sub>4</sub>	13 <sup>1</sup> / <sub>2</sub>	8	6 <sup>1</sup> / <sub>4</sub>	10 <sup>1</sup> / <sub>2</sub>	1 <sup>1</sup> / <sub>8</sub>	2 <sup>1</sup> / <sub>32</sub>	5 <sup>1</sup> / <sub>2</sub>	16 <sup>3</sup> / <sub>16</sub>	14 <sup>1</sup> / <sub>16</sub>	24 <sup>11</sup> / <sub>16</sub>

Motor Dimension Will Vary with Manufacture and Enclosure.

Customer				Shop Order No.			Date:		By:	
Pump Data	Fig. No.	Size	Curve No.	GPM	Head	Sp. Gr.	Temp.	Rotation	Packing/Seal	
Motor Data	MFGR	Hp	RPM	Phase-Cycle Voltage		Frame	Enclosure	Insulation	Furnished by	Mounted