

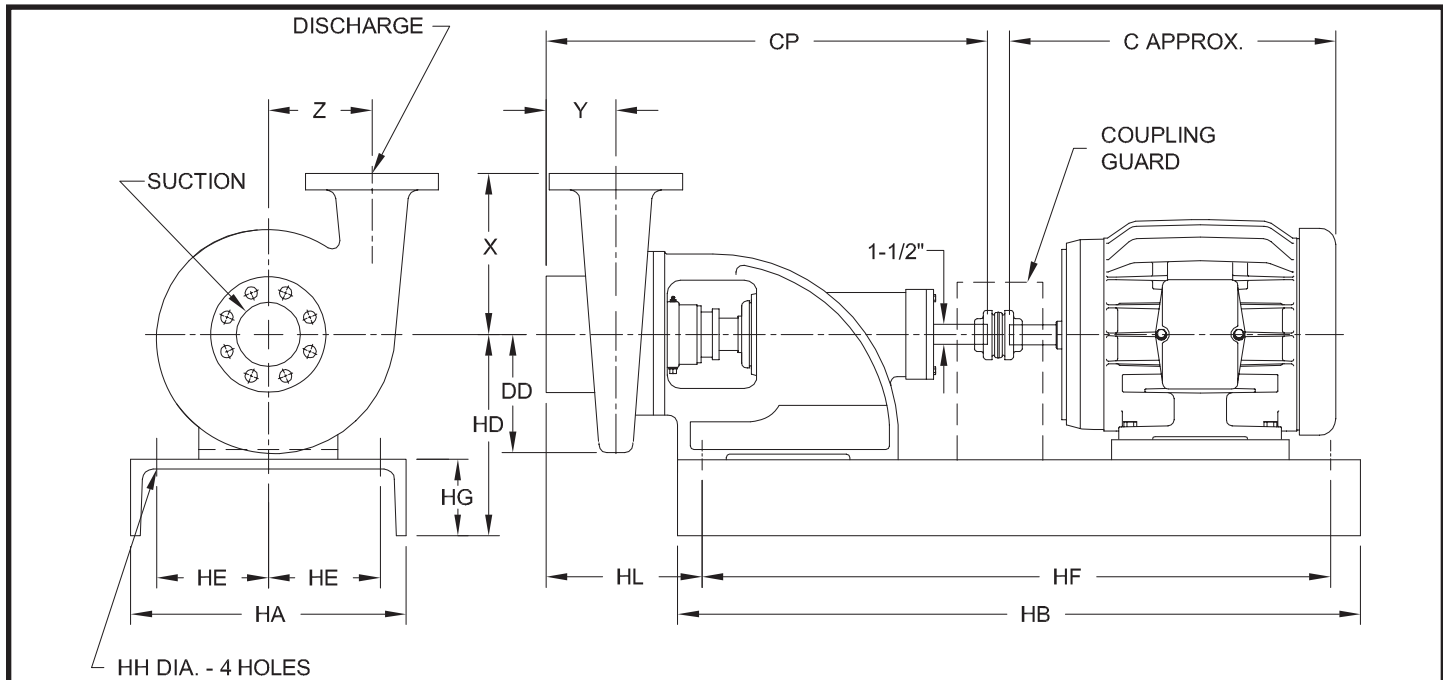
Fig. 4066

Pump with Type A or B Steel Base, Coupling & Motor
Bulletin 4060

DEMING®

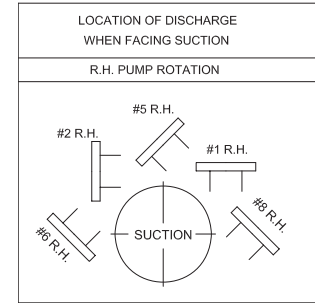
www.cranepumps.com

End Suction Centrifugal Pumps - Semi-Open Impeller



For 404 Frame & Larger add 1/4" to HL

DIMENSIONS IN INCHES														
PUMP SIZE	SUCTION 125LB				DISCHARGE 125LB				X	Y	Z	CP	DD	HL
	SIZE	DIA. FLG.	BOLTS	BOLT CIRCLE	SIZE	DIA. FLG.	BOLTS	BOLT CIRCLE						
4x4x12	4	9	8 - 5/8	7 1/2	4	9	8 - 5/8	7 1/2	9	2 1/2	7 3/8	27 3/8	10	7 3/8
6x4x12	6	11	8 - 3/4	9 1/2	4	9	8 - 5/8	7 1/2	9	2 3/4	7 3/4	28 1/8	9 3/8	7 7/8
6x6x12	6	11	8 - 3/4	9 1/2	6	11	8 - 3/4	9 1/2	9	3 1/4	8 3/8	28 3/8	10 1/4	8 5/8
8x6x12	8	13 1/2	8 - 3/4	11 3/4	6	11	8 - 3/4	9 1/2	9 1/2	3 1/2	8 7/8	29 1/4	10 7/8	9
8x8x12	8	13 1/2	8 - 3/4	11 3/4	8	13 1/2	8 - 3/4	11 3/4	11	4 1/2	10 1/2	30 3/8	13 3/8	10 1/8
10x10x12	10	16	12 - 7/8	14 1/4	10	16	12 - 7/8	14 1/4	11	5 1/2	10 5/8	32 3/8	13 3/4	12 3/8



BOTTOM HORIZONTAL & VERTICAL AVAILABLE ONLY WITH SPECIAL FABRICATED BASES

BASE DIMENSIONS IN INCHES																					
FRAME NO	213T	215T	254T	256T	284TS	284T	286TS	286T	324TS	324T	326TS	326T	364TS	364T	365TS	365T	404TS	404T	405TS	405T	
BASE NO.	27504	27504	27505	27506	27506	27506	27506	27506	27508	27508	27508	27508	27508	27508	27508	27508	27510	27511	27510	27511	
C	17 3/4	19 1/4	22 7/8	24 3/8	24 1/2	25 7/8	26	27 3/8	27 1/4	28 3/4	28 3/4	30 1/4	31	33 3/8	32	34 1/8	34 1/4	37 1/4	36	38 7/8	
HA	15	15	15	15	15	15	15	15	18	18	18	18	18	18	18	18	25	25	25	25	
HB	40	40	43	47	47	47	47	47	51	51	51	51	51	51	51	51	50	57	50	57	
HD	12 3/8	12 3/8	12 3/8	12 3/8	12 3/8	12 3/8	12 3/8	12 3/8	13	13	13	13	13	13	13	13	15 1/2	15 1/2	15 1/2	15 1/2	
HD 8x8x12	14 3/8	14 3/8	14 3/8	14 3/8	14 3/8	14 3/8	14 3/8	14 3/8	15	15	15	15	15	15	15	15	15 1/2	15 1/2	15 1/2	15 1/2	
HD 10x10x12	14 3/8	14 3/8	14 3/8	14 3/8	14 3/8	14 3/8	14 3/8	14 3/8	15	15	15	15	15	15	15	15	15 1/2	15 1/2	15 1/2	15 1/2	
HE	6	6	6	6	6	6	6	6	7 1/2	7 1/2	7 1/2	7 1/2	7 1/2	7 1/2	7 1/2	7 1/2	11 1/4	11 1/4	11 1/4	11 1/4	
HF	37 1/2	37 1/2	40 1/2	44 1/2	44 1/2	44 1/2	44 1/2	44 1/2	48 1/2	48 1/2	48 1/2	48 1/2	48 1/2	48 1/2	48 1/2	48 1/2	47	54	47	54	
HG	3 3/8	3 3/8	3 3/8	3 3/8	3 3/8	3 3/8	3 3/8	3 3/8	4	4	4	4	4	4	4	4	4 1/2	4 1/2	4 1/2	4 1/2	
HH	3/4	3/4	3/4	3/4	3/4	3/4	3/4	3/4	3/4	3/4	3/4	3/4	3/4	3/4	3/4	3/4	7/8	7/8	7/8	7/8	

Customer				Shop Order No.				Date:				By:			
Pump Data	Fig. No.	Size	Curve No.	GPM	Head	Sp. Gr.	Temp.	Rotation	Packing/Seal						
Motor Data	MFGR	Hp	RPM	Phase-Cycle Voltage				Frame	Enclosure	Insulation	Furnished by		Mounted by		

SECTION 14-B
PAGE 5
DATE 2/07



PUMPS & SYSTEMS

A Crane Co. Company

USA: (937) 778-8947 • Canada: (905) 457-6223 • International: (937) 615-3598