

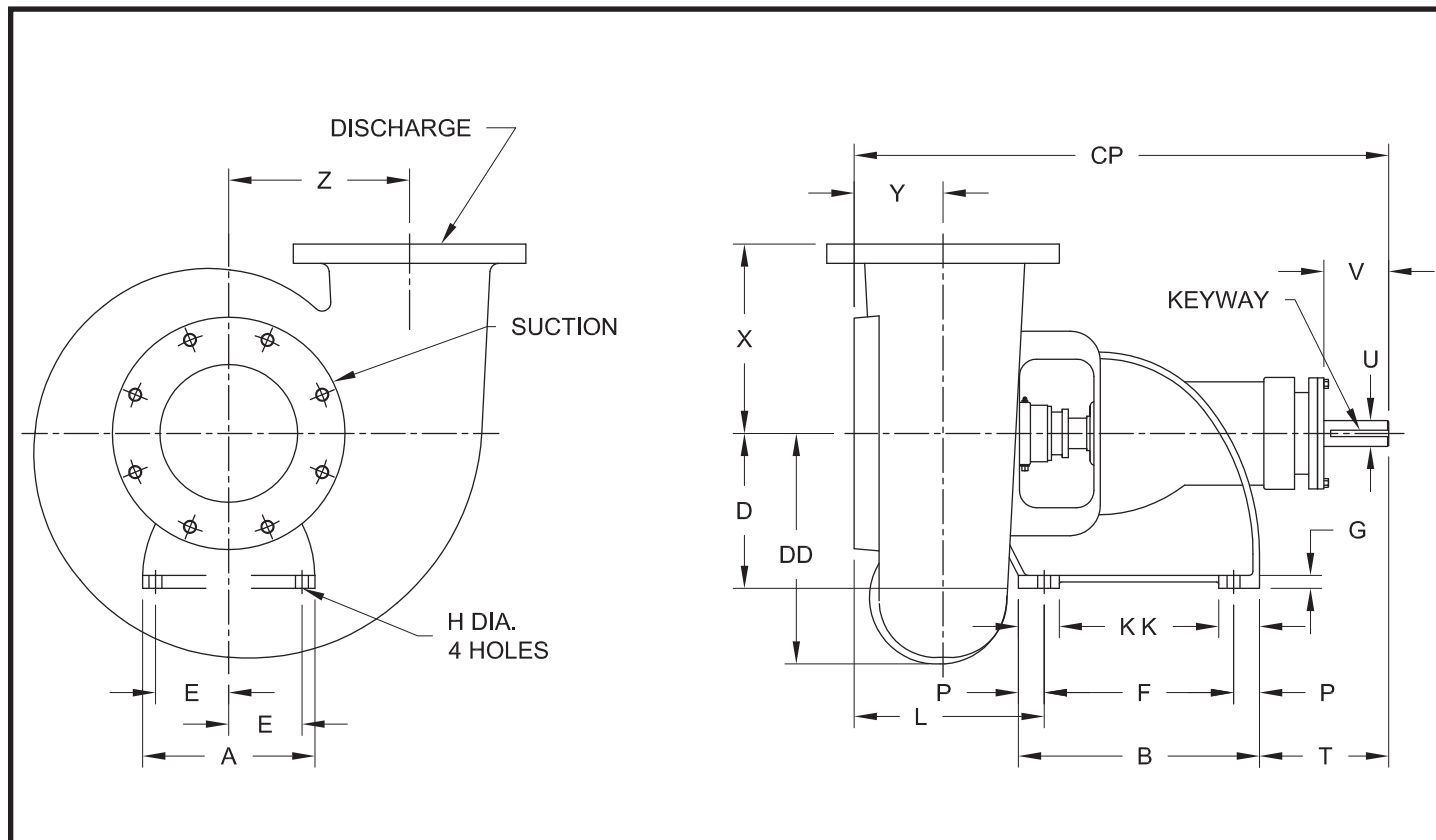
Fig. 4066

Basic Pump
Bulletin 4060

DEMING®

www.cranepumps.com

End Suction Centrifugal Pumps - Semi-Open Impeller



DIMENSIONS IN INCHES

SUCT.	DISCH.	MAX. IMP. DIA.	A	B	CP	D	DD	E	F	G	H	K	L	P	T	U	V	X	Y	Z	KEYWAY
4	4	12	10	14	27 ⁵ / ₈	9	10	4 ¹ / ₄	11	5 ⁵ / ₈	3 ³ / ₄	2 ³ / ₈	7 ⁵ / ₈	1 ¹ / ₂	7 ¹ / ₂	1 ¹ / ₂	3 ¹ / ₂	9	2 ¹ / ₂	7 ⁵ / ₈	3/8 X 3/16 X 3
6	4	12	10	14	28 ³ / ₈	9	9 ³ / ₈	4 ¹ / ₄	11	5 ⁵ / ₈	3 ³ / ₄	2 ³ / ₈	8 ¹ / ₈	1 ¹ / ₂	7 ¹ / ₂	1 ¹ / ₂	3 ¹ / ₂	9	2 ³ / ₄	7 ³ / ₄	
6	6	12	10	14	28 ³ / ₈	9	10 ¹ / ₄	4 ¹ / ₄	11	5 ⁵ / ₈	3 ³ / ₄	2 ³ / ₈	8 ³ / ₈	1 ¹ / ₂	7 ¹ / ₂	1 ¹ / ₂	3 ¹ / ₂	9	3 ¹ / ₄	8 ³ / ₈	
8	6	12	10	14	29 ¹ / ₄	9	10 ³ / ₈	4 ¹ / ₄	11	5 ⁵ / ₈	3 ³ / ₄	2 ³ / ₈	9 ¹ / ₄	1 ¹ / ₂	7 ¹ / ₂	1 ¹ / ₂	3 ¹ / ₂	9 ¹ / ₂	3 ¹ / ₂	8 ³ / ₈	
8	8	12	10	14	30 ³ / ₈	9	13 ³ / ₈	4 ¹ / ₄	11	5 ⁵ / ₈	3 ³ / ₄	2 ³ / ₈	10 ³ / ₈	1 ¹ / ₂	7 ¹ / ₂	1 ¹ / ₂	3 ¹ / ₂	11	4 ¹ / ₂	10 ¹ / ₂	
10	10	12	10	14	32 ³ / ₈	9	13 ³ / ₄	4 ¹ / ₄	11	5 ⁵ / ₈	3 ³ / ₄	2 ³ / ₈	12 ³ / ₈	1 ¹ / ₂	7 ¹ / ₂	1 ¹ / ₂	3 ¹ / ₂	11	5 ¹ / ₂	10 ⁵ / ₈	

Suction & Discharge flanges fit 125 lb A.S.A. Standard
When "DD" exceeds "D", block up pump.

Customer				Shop Order No.			Date:		By:	
Pump Data	Fig. No.	Size	Curve No.	GPM	Head	Sp. Gr.	Temp.	Rotation	Packing/Seal	
Motor Data	MFGR	Hp	RPM	Phase-Cycle Voltage		Frame	Enclosure	Insulation	Furnished by	Mounted

SECTION 14-B
PAGE 6
DATE 7/16

CRANE®

A Crane Co. Company

PUMPS & SYSTEMS

USA: (937) 778-8947 • Canada: (905) 457-6223 • International: (937) 615-3598