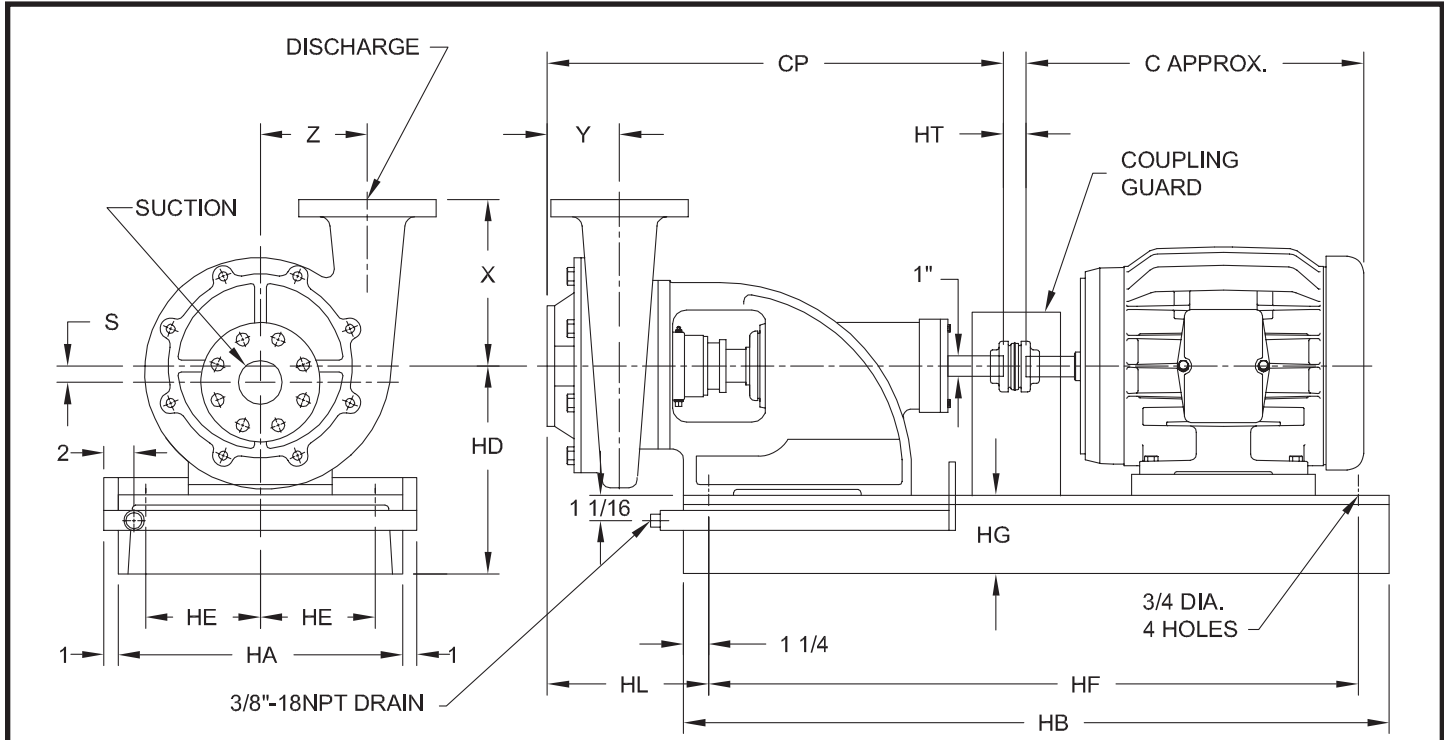


Fig. 4011 - Sizes 3S, 3M, 4S & 4M
 Sizes 1¼S, 1½S, 1½M, 2S & 2M (Special Flanged)
 Pump with Type C Drip Lip Steel Base, Coupling & Motor
 Bulletin 4011

DEMING®

www.cranepumps.com

End Suction Centrifugal Pumps - Semi-Open Impeller



DIMENSIONS IN INCHES

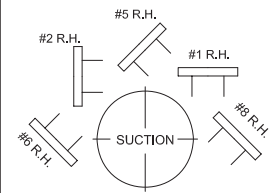
PUMP SIZE	SUCTION 125LB				DISCHARGE 125LB				X	Y	Z	CP	HL	S
	SIZE	DIA. FLG.	BOLTS	BOLT CIRCLE	SIZE	DIA. FLG.	BOLTS	BOLT CIRCLE						
1¼S	1½	5	4 - ½	3¾	1¼	4½	4 - ½	3½	6	3¾	4¾	21⅞	6⅞	---
1½S	2	6	4 - ⅝	4¾	1½	5	4 - ½	3⅞	5¼	3¾	4¾	21½	7¼	---
1½M	2	6	4 - ⅝	4¾	1½	5	4 - ½	3⅞	6½	3¾	5¼	21½	7¼	---
2S	2½	7	4 - ⅝	5½	2	6	4 - ⅝	4¾	6¼	3⅞	4¾	21¼	7½	---
2M	3	7½	4 - ⅝	6	2	6	4 - ⅝	4¾	7	3⅞	5¼	21¼	7½	---
3S	4	9	8 - ⅝	7½	3	7½	4 - ⅝	6	7	5⅞	5¼	24	9¼	---
3M	4	9	8 - ⅝	7½	3	7½	4 - ⅝	6	8	5⅞	6¼	24	9¼	---
4S	5	10	8 - ¾	8½	4	9	8 - ⅝	7½	7	6⅞	6	24½	10¼	½
4M	5	10	8 - ¾	8½	4	9	8 - ⅝	7½	9	6⅞	6½	24⅝	10%	½

BASE DIMENSIONS IN INCHES

FRAME NO	56	143T	145T	182T	184T	213T	215T	254T	256T	284TS	284T	286TS	286T
BASE NO.	27501	27501	27501	27502	27502	27503	27503	27504	27504	27504	27504	27504	27505
HA	12	12	12	12	12	12	12	15	15	15	15	15	15
HB	28	28	28	32	32	36	36	40	40	40	40	40	43
C	13 ^{11/16}	13½	13¾	14⅝	15⅝	17¾	19¼	22⅞	24%	24½	25%	26	27¾
HD	9	9	9	9	9	9	9	9⅞	9⅞	10⅞	10⅞	10⅞	10⅞
HE	4¾	4¾	4¾	4¾	4¾	4¾	4¾	6	6	6	6	6	6
HF	25½	25½	25½	29½	29½	33½	33½	37½	37½	37½	37½	37½	40½
HG	3	3	3	3	3	3	3	3¾	3¾	3¾	3¾	3¾	3¾
HT	½	½	½	¾	¾	¾	¾	1	1	1	1	1	1

LOCATION OF DISCHARGE WHEN FACING SUCTION

R.H. PUMP ROTATION



DISCHARGE POSITIONS SHOWN EACH 45°

Customer				Shop Order No.				Date:		By:	
Pump Data	Fig. No.	Size	Curve No.	GPM	Head	Sp. Gr.	Temp.	Rotation	Packing/Seal		
Motor Data	MFGR	Hp	RPM	Phase-Cycle Voltage		Frame	Enclosure	Insulation	Furnished by	Mounted	

SECTION 14
 PAGE 18
 DATE 7/07

CRANE®

A Crane Co. Company

PUMPS & SYSTEMS

USA: (937) 778-8947 • Canada: (905) 457-6223 • International: (937) 615-3598