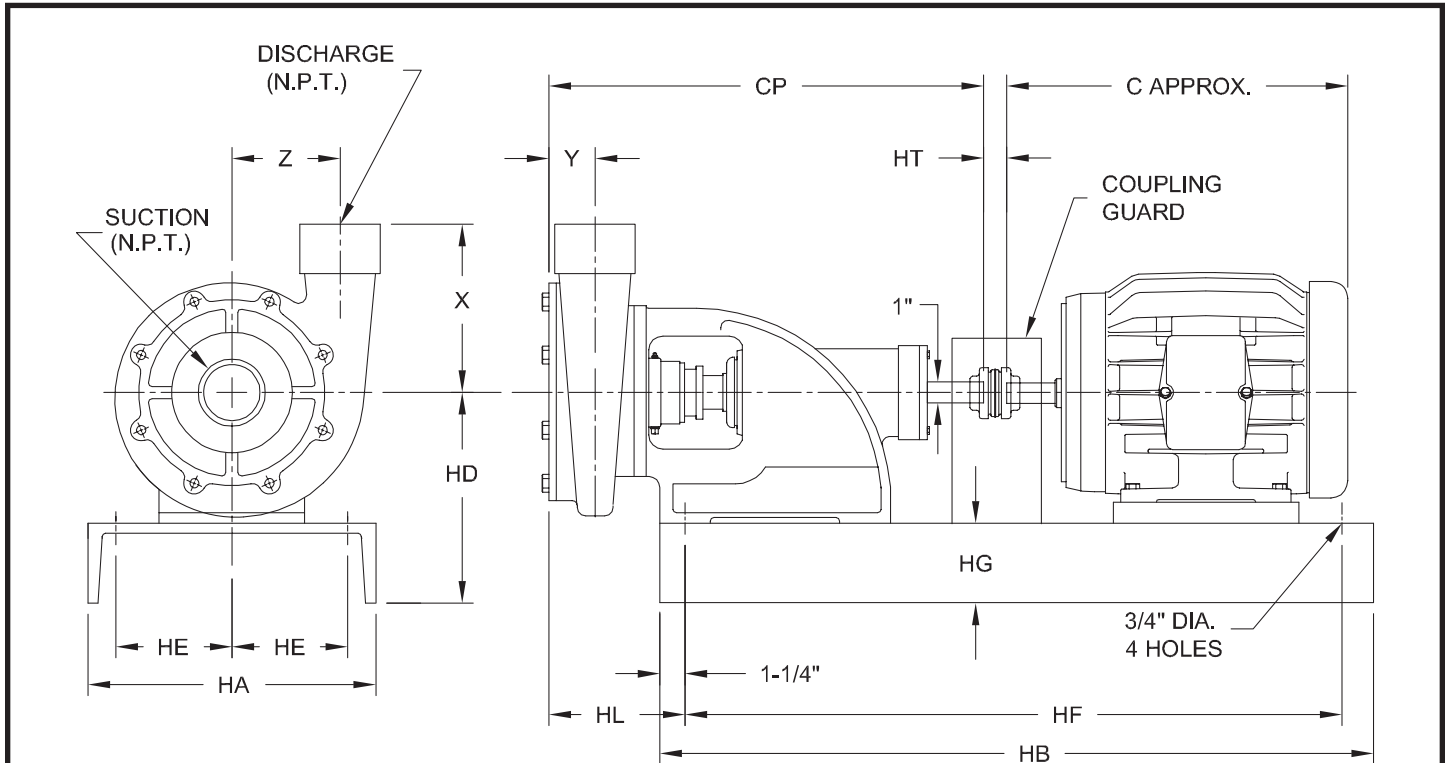
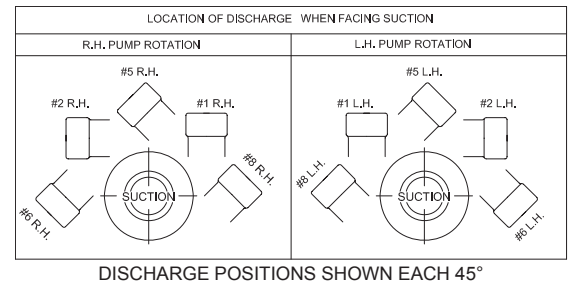


End Suction Centrifugal Pumps - Semi-Open Impeller



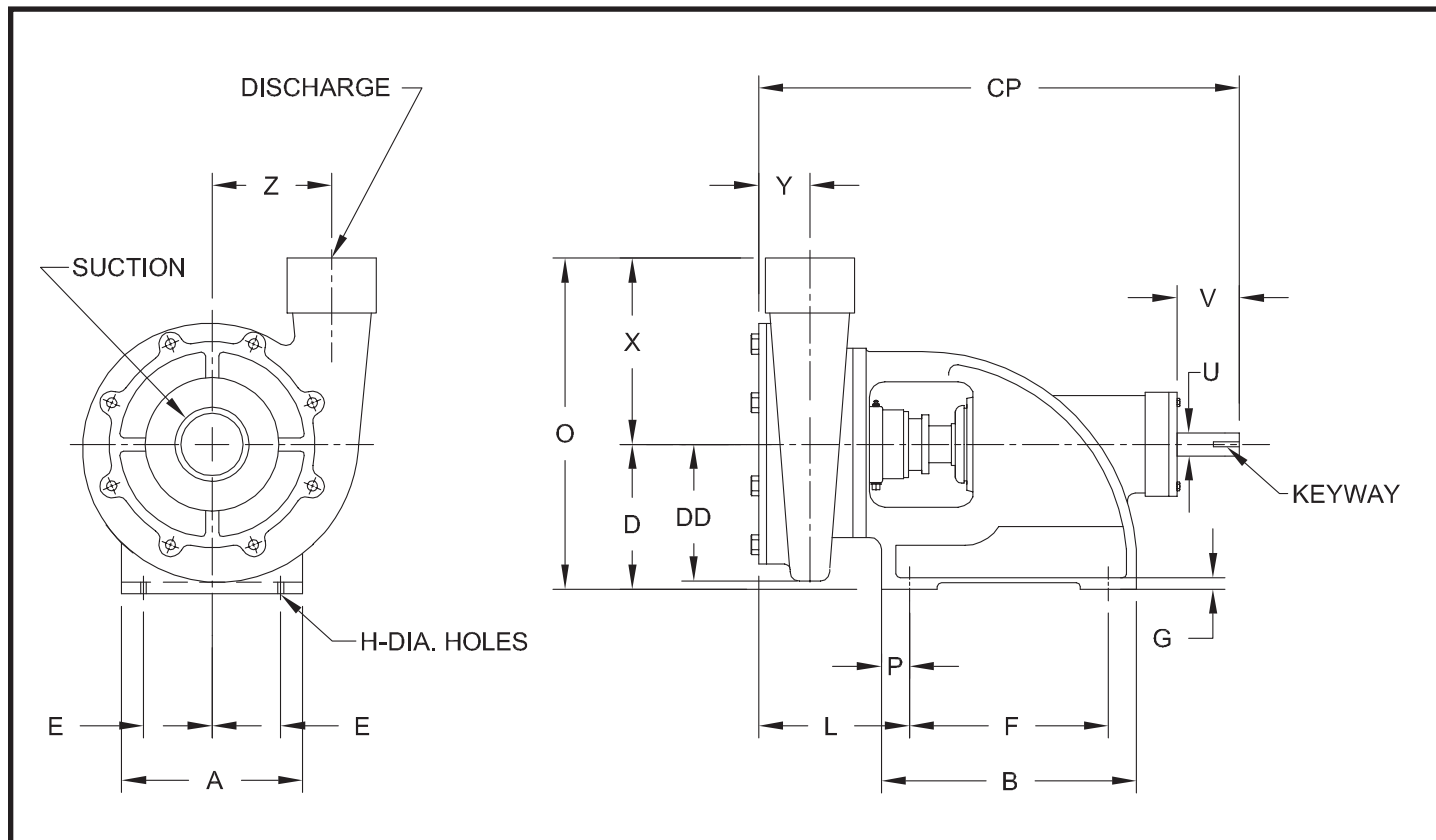
DIMENSIONS IN INCHES							
SIZE	SUCT.	DISCH.	X	Y	Z	CP	HL
1¼S	1½	1¼	5½	2 ¹ / ₁₆	4¾	19¾	5½
1½S	2	1½	5¾	2 ¹ / ₈	4¾	19 ⁷ / ₈	5 ⁵ / ₈
1½M	2	1½	6½	2¼	5¾	20	5¾
2S	2½	2	6¼	2¼	4¾	20 ¹ / ₈	5 ⁷ / ₈
2M	3	2	7	2½	5¾	20 ³ / ₈	6 ¹ / ₈



BASE DIMENSIONS IN INCHES													
FRAME NO	56	143T	145T	182T	184T	213T	215T	254T	256T	284TS	284T	286TS	286T
BASE NO.	27501	27501	27501	27502	27502	27503	27503	27504	27504	27504	27504	27504	27505
HA	12	12	12	12	12	12	12	15	15	15	15	15	15
HB	28	28	28	32	32	36	36	40	40	40	40	40	43
C	13 ¹¹ / ₁₆	13 ³ / ₈	13 ³ / ₈	14 ⁵ / ₈	15 ⁵ / ₈	17 ³ / ₄	19¼	22 ⁷ / ₈	24 ³ / ₈	24½	25 ⁵ / ₈	26	27 ³ / ₈
HD	9	9	9	9	9	9	9	9 ⁵ / ₈	9 ⁵ / ₈	10 ³ / ₈	10 ³ / ₈	10 ³ / ₈	10 ³ / ₈
HE	4¾	4¾	4¾	4¾	4¾	4¾	4¾	6	6	6	6	6	6
HF	25½	25½	25½	29½	29½	33½	33½	37½	37½	37½	37½	37½	40½
HG	3	3	3	3	3	3	3	3 ³ / ₈	3 ³ / ₈	3 ³ / ₈	3 ³ / ₈	3 ³ / ₈	3 ³ / ₈
HT	½	½	½	¾	¾	¾	¾	1	1	1	1	1	1

Customer				Shop Order No.				Date:		By:	
Pump Data	Fig. No.	Size	Curve No.	GPM	Head	Sp. Gr.	Temp.	Rotation	Packing/Seal		
Motor Data	MFGR	Hp	RPM	Phase-Cycle Voltage		Frame	Enclosure	Insulation	Furnished by	Mounted	

End Suction Centrifugal Pumps - Semi-Open Impeller



DIMENSIONS IN INCHES

SIZE	SUCT.	DISCH.	A	B	CP	D	DD	E	F	G	H	L	O	P	U	V	X	Y	Z	KEYWAY
1¼S	1½	1¼	7	10½	19¾	6	5⅝	3	8¼	½	7/16	5⅝	11½	1⅝	1	2¼	5½	2¹/₁₆	4¾	¼ x ⅛ x 2
1½S	2	1½	7	10½	19⅞	6	5⅝	3	8¼	½	7/16	5½	11¼	1⅝	1	2¼	5¾	2⅞	4¾	
1½M	2	1½	7	10½	20	6	6⅞	3	8¼	½	7/16	5⅝	12½	1⅝	1	2¼	6½	2¼	5¼	
2S	2½	2	7	10½	20⅞	6	5¾	3	8¼	½	7/16	5¾	12¼	1⅝	1	2¼	6¼	2¼	4¾	
2M	3	2	7	10½	20⅜	6	6½	3	8¼	½	7/16	6	13	1⅝	1	2¼	7	2½	5¼	

Customer				Shop Order No.			Date:		By:	
Pump Data	Fig. No.	Size	Curve No.	GPM	Head	Sp. Gr.	Temp.	Rotation	Packing/Seal	
Motor Data	MFGR	Hp	RPM	Phase-Cycle Voltage		Frame	Enclosure	Insulation	Furnished by	Mounted

SECTION 14
PAGE 14
DATE 7/07



A Crane Co. Company

PUMPS & SYSTEMS

USA: (937) 778-8947 • Canada: (905) 457-6223 • International: (937) 615-3598