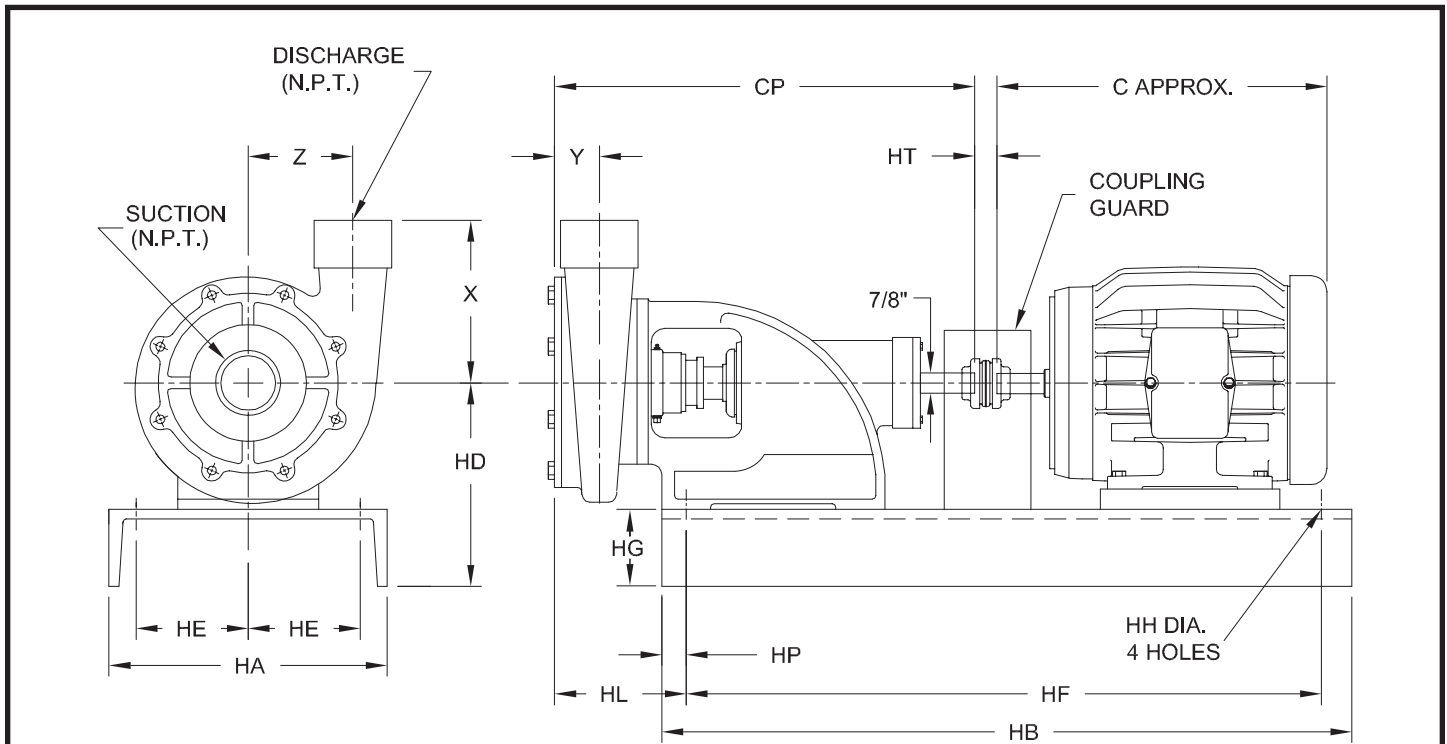


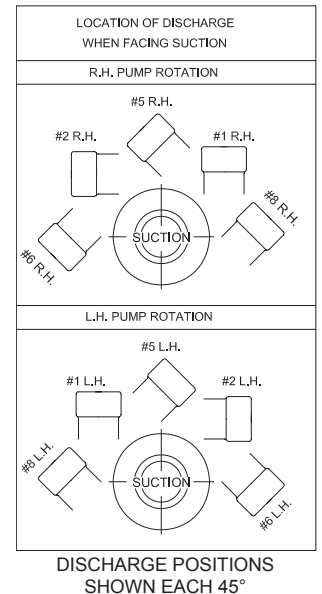
End Suction Centrifugal Pumps - Semi-Open Impeller



● USE THIS DIMENSION WHEN USING BASE 17716-8

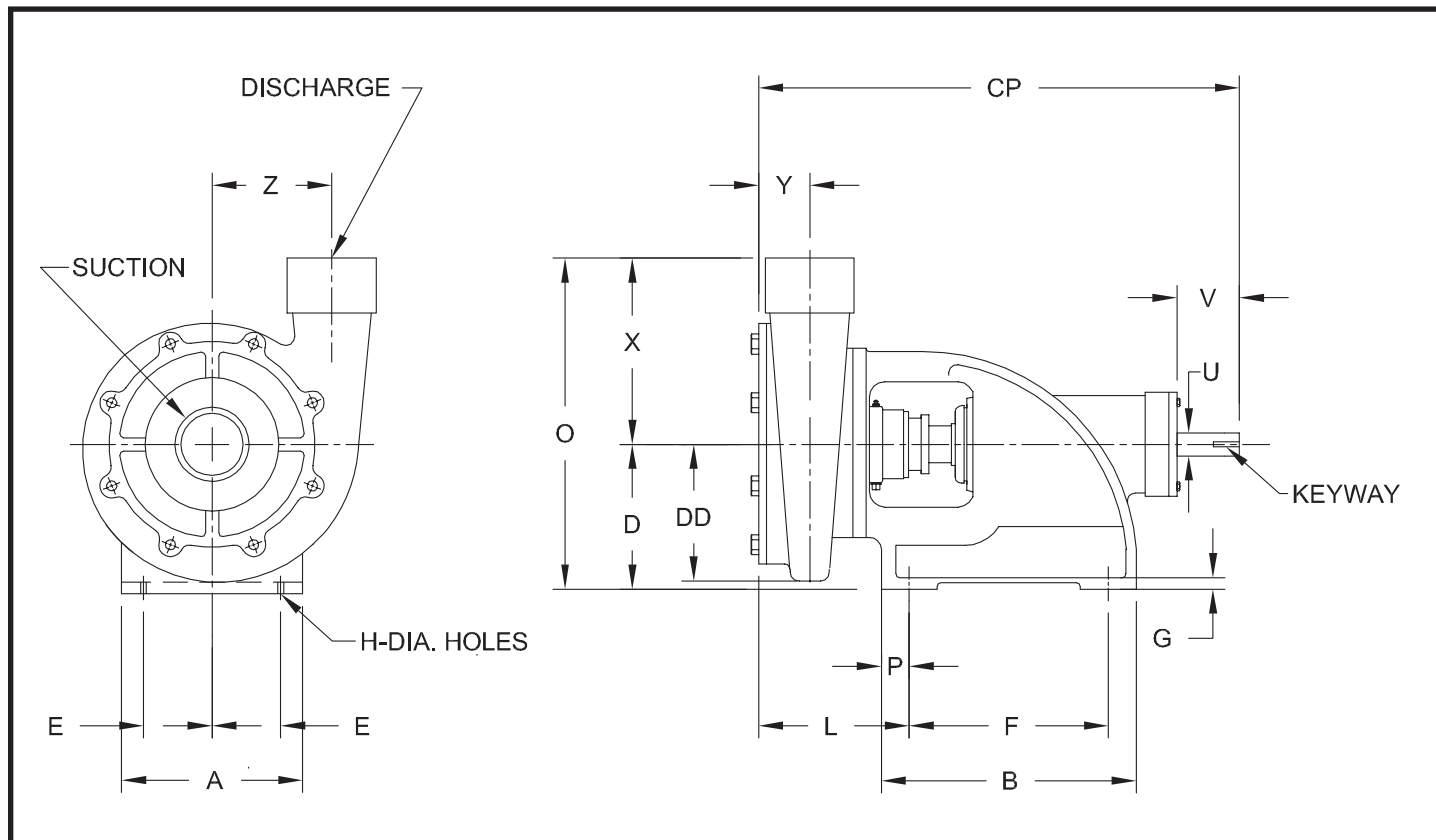
DIMENSIONS IN INCHES								
SIZE	SUCT.	DISCH.	X	Y	Z	CP	HL	*HL
1	1½	1	4¼	1 ¹⁵ / ₁₆	3½	16	4½	4 ⁷ / ₈
1½	2	1½	5½	2 ⁷ / ₁₆	3¾	16 ⁵ / ₈	5 ⁵ / ₈	5½
2½	3	2½	6¼	3 ¹ / ₁₆	4¾	17¾	6¼	6 ⁵ / ₈

BASE DIMENSIONS IN INCHES										
FRAME NO	48	56	143T	145T	182T	184T	213T	215T	254T	256T
BASE NO.	17716-1	17716-2	11716-2	11716-2	16812	16812	17716-5	17716-5	17716-8	17716-8
HA	8	10	10	10	12	12	12	12	15	15
HB	22	24	24	24	26	26	30	30	36	36
C	11	13 ¹¹ / ₁₆	13 ³ / ₈	13 ³ / ₈	14 ⁵ / ₈	15 ⁵ / ₈	17¾	19¼	22 ⁷ / ₈	24 ⁵ / ₈
HD	7¾	8 ¹ / ₈	8 ¹ / ₈	8 ¹ / ₈	8½	8½	8½	8½	9¼	9¼
HE	3	4	4	4	4¾	4¾	4¾	4¾	5¼	5¼
HF	20¾	22¾	22¾	22¾	24¾	24¾	28¾	28¾	34	34
HG	2¼	2 ⁵ / ₈	2 ⁵ / ₈	2 ⁵ / ₈	3	3	3	3	3½	3½
HH	5 ⁵ / ₈	5 ⁵ / ₈	5 ⁵ / ₈	5 ⁵ / ₈	5 ⁵ / ₈	5 ⁵ / ₈	5 ⁵ / ₈	5 ⁵ / ₈	5 ⁵ / ₈	5 ⁵ / ₈
HP	5 ⁵ / ₈	5 ⁵ / ₈	5 ⁵ / ₈	5 ⁵ / ₈	5 ⁵ / ₈	5 ⁵ / ₈	5 ⁵ / ₈	5 ⁵ / ₈	1	1
HT	½	½	½	½	¾	¾	¾	¾	1	1



Customer				Shop Order No.			Date:		By:	
Pump Data	Fig. No.	Size	Curve No.	GPM	Head	Sp. Gr.	Temp.	Rotation	Packing/Seal	
Motor Data	MFGR	Hp	RPM	Phase-Cycle Voltage		Frame	Enclosure	Insulation	Furnished by	Mounted

End Suction Centrifugal Pumps - Semi-Open Impeller



DIMENSIONS IN INCHES

SIZE	SUCT.	DISCH.	A	B	CP	D	DD	E	F	G	H	L	O	P	U	V	X	Y	Z	KEYWAY
1	1½	1	5	7½	16	5½	4	2	5½	¾	½	4⅞	9¼	1	⅞	2	4¼	1⅕/16	3½	3/16 X 3/32 X 2
1½	2	1½	5	7½	16⅝	5½	4¼	2	5½	¾	½	5½	11	1	⅞	2	5½	27/16	3¾	
2½	3	2½	5	7½	17¾	5½	5½	2	5½	¾	½	6⅝	11¾	1	⅞	2	6¼	31/16	4¾	

Customer				Shop Order No.				Date:			By:	
Pump Data	Fig. No.	Size	Curve No.	GPM	Head	Sp. Gr.	Temp.	Rotation	Packing/Seal			
Motor Data	MFGR	Hp	RPM	Phase-Cycle Voltage		Frame	Enclosure	Insulation	Furnished by	Mounted		

SECTION 14
PAGE 10
DATE 7/07



A Crane Co. Company

PUMPS & SYSTEMS

USA: (937) 778-8947 • Canada: (905) 457-6223 • International: (937) 615-3598