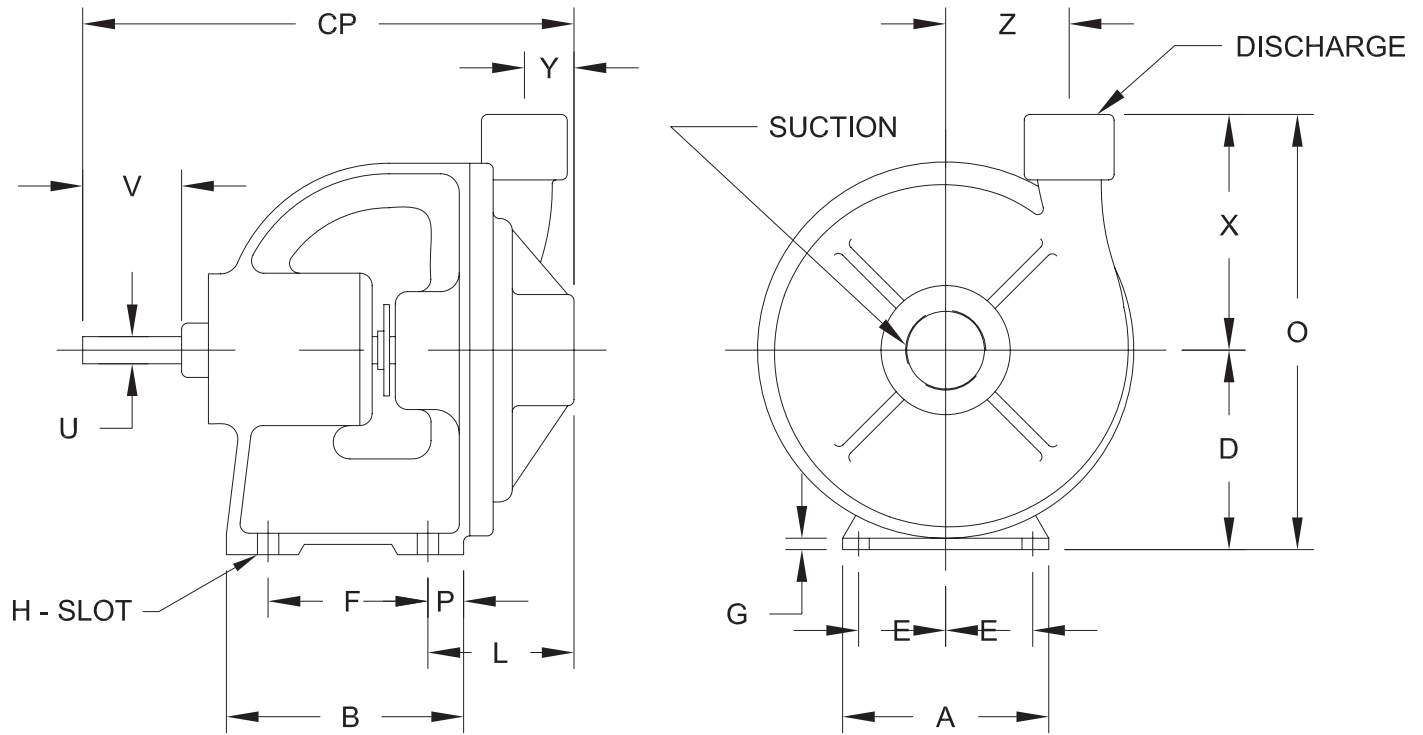


Medium End Suction Centrifugal Pumps - Open Impeller

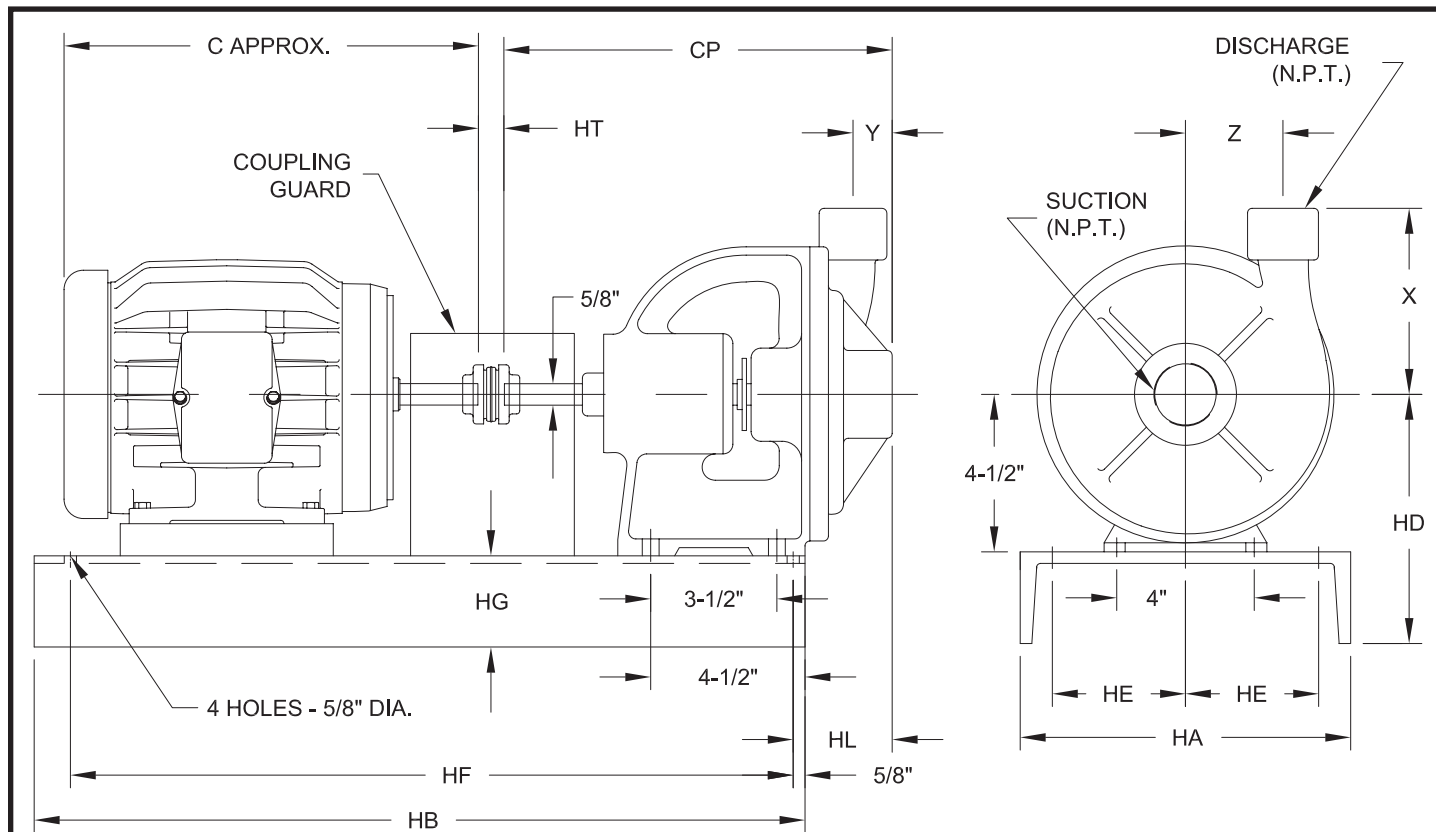


Pump Dimensions in Inches

Size	Suct.	Disch.	A	B	D	E	F	G	H	L	O	P	U	V	X	Y	Z	CP
1	1¼	1	5	5½	4½	2	3½	⅜	½	3⅜	9¼	1	⅝	2 ³ / ₁₆	5¼	1⅞	2⅞	11 ¹ / ₁₆
1A	1½	1	5	5½	4½	2	3½	⅜	½	3⅜	10	1	⅝	2 ³ / ₁₆	5¼	1⅞	2⅞	11 ⁵ / ₁₆

Customer				Shop Order No.				Date:			By:			
Pump Data	Fig. No.	Size	Curve No.	GPM	Head	Sp. Gr.	Temp.	Rotation	Packing/Seal					
Motor Data	MFR	Hp	RPM	Phase-Cycle Voltage		Frame	Enclosure	Insulation	Furnished by		Mounted			

Medium End Suction Centrifugal Pumps - Open Impeller



Pump Dimensions in Inches

Size	Suction	Discharge	Max. Dia. Impeller	X	Y	Z	CP	HL
1	1¼	1	5	5¼	1⅝	2⅝	11 ¹ / ₁₆	3
1A	1½	1	6	5½	1¼	2¾	11 ⁵ / ₁₆	3¼

Base Dimensions in Inches

Motor Frame	HA	HB	C	HD	HE	HF	HG	HT
56	8	22	13 ¹¹ / ₁₆	6¾	3	20¾	2¼	½
143T	8	22	13	6¾	3	20¾	2¼	½
145T	8	22	13½	6¾	3	20¾	2¼	½
182T	10	24	14 ⁵ / ₈	7⅝	4	22¾	2 ⁵ / ₈	¾
184T	10	24	15 ⁵ / ₈	7⅝	4	22¾	2 ⁵ / ₈	¾

Customer			Shop Order No.			Date:		By:	
Pump Data	Fig. No.	Size	Curve No.	GPM	Head	Sp. Gr.	Temp.	Rotation	Packing/Seal
Motor Data	MFGR	Hp	RPM	Phase-Cycle Voltage		Frame	Enclosure	Insulation	Furnished by Mounted