

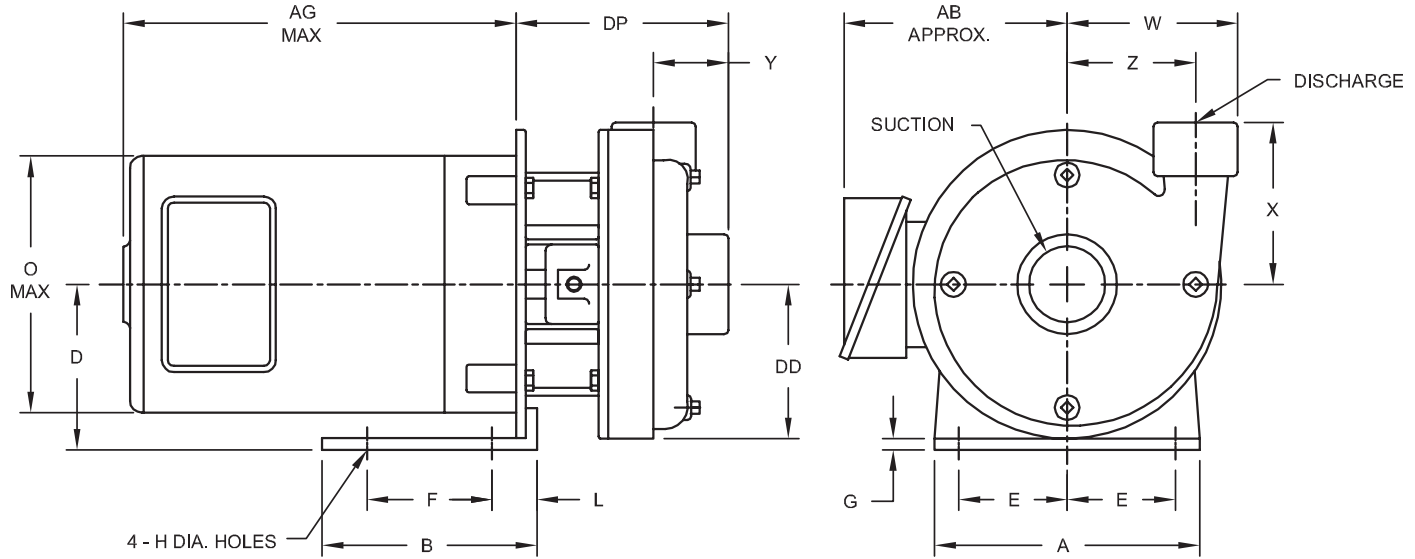
Fig. 3112

Model 3112 - 1A
Bulletin 3110

DEMING®

www.cranepumps.com

End Suction Pumps



SIZE	*SUCTION	*DIS-CHARGE	JM MOTOR FRAME	DP	DD	W	X	Y	Z
1 x 3/4 x 4	1	3/4	48 or 56	4 7/8	3 5/16	3 7/16	3 1/2	2 1/16	2 5/8
1 1/4 x 1 x 4	1 1/4	1	48 or 56	4 15/16	3 5/16	3 11/16	3 1/2	1 15/16	2 11/16
1 1/2 x 1 1/4 x 4	1 1/2	1 1/4	48 or 56	5 5/16	3 5/16	4 3/16	4	2 3/16	3
2 x 1 1/2 x 4	2	1 1/2	48 or 56	5 7/16	3 7/16	4 1/2	4 1/2	2 5/16	3 1/8
1 1/4 x 1 x 5	1 1/4	1	48 or 56	5 3/16	3 5/16	4	4	2 1/8	3
1 1/2 x 1 1/4 x 5	1 1/2	1 1/4	48 or 56	5 5/16	3 9/16	4 5/16	4 1/2	2 1/4	3 1/8

American Inch Standard Taper Pipe Thread (B 2.1)

All Dimensions In Inches

FRAME SIZE	A	B	D	E	F	G	H	L	O	AB	AG
48 or 56	6	5	3 1/2	2 1/2	3	3/16	7/16	5/8	6 1/2	5	10 5/8

Motor Dimensions will vary with Manufacture and Enclosure

Customer				Shop Order No.			Date:		By:	
Pump Data	Fig. No.	Size	Curve No.	GPM	Head	Sp. Gr.	Temp.	Rotation	Packing/Seal	
Motor Data	MFGR	Hp	RPM	Phase-Cycle Voltage		Frame	Enclosure	Insulation	Furnished by	Mounted

SECTION 3110
PAGE 14
DATE 6/13

CRANE®

A Crane Co. Company

PUMPS & SYSTEMS

USA: (937) 778-8947 • Canada: (905) 457-6223 • International: (937) 615-3598