

Parts list

# PAHT 2-308 pumps

# PAHT G 2-308 pumps



<b>Table of Contents</b>	1.	General .....	3
	2.	Spare parts list for PAHT 2 .....	4
	3.	Exploded view for PAHT 2 .....	5
	4.	Spare parts list for PAHT G 2 .....	6
	5.	Exploded view for PAHT G 2 .....	7
	6.	Spare parts list for PAHT 3.2-6.3 .....	8
	7.	Exploded view for PAHT 3.2-6.3 .....	9
	8.	Spare parts list for PAHT G 3.2-6.3 .....	10
	9.	Exploded view for PAHT G 3.2-6.3 .....	11
	10.	Spare parts list for PAHT 10-12.5 .....	12
	11.	Exploded view for PAHT 10-12.5 .....	13
	12.	Spare parts list for PAHT G 10-12.5 .....	14
	13.	Exploded view for PAHT G 10-12.5 .....	15
	14.	Spare parts list for PAHT 20-32 .....	16
	15.	Exploded view for PAHT 20-32 .....	17
	16.	Spare parts list for PAHT G 20-32 .....	18
	17.	Exploded view for PAHT G 20-32 .....	19
	18.	Spare parts list for PAHT 50-90 .....	20
	19.	Exploded view for PAHT 50-90 .....	21
	20.	Spare parts list for PAHT G 50-90 .....	22
	21.	Exploded view for PAHT G 50-90 .....	23
	22.	Spare parts list for PAHT 256-308 .....	24
	23.	Exploded view for PAHT 256-308 .....	25
	24.	Spare parts list for PAHT G 256-308 .....	26
	25.	Exploded view for PAHT G 256-308 .....	27
	26.	Tool sets .....	28

**1. General**

This parts list provides an overview of the content of the various service sets for the

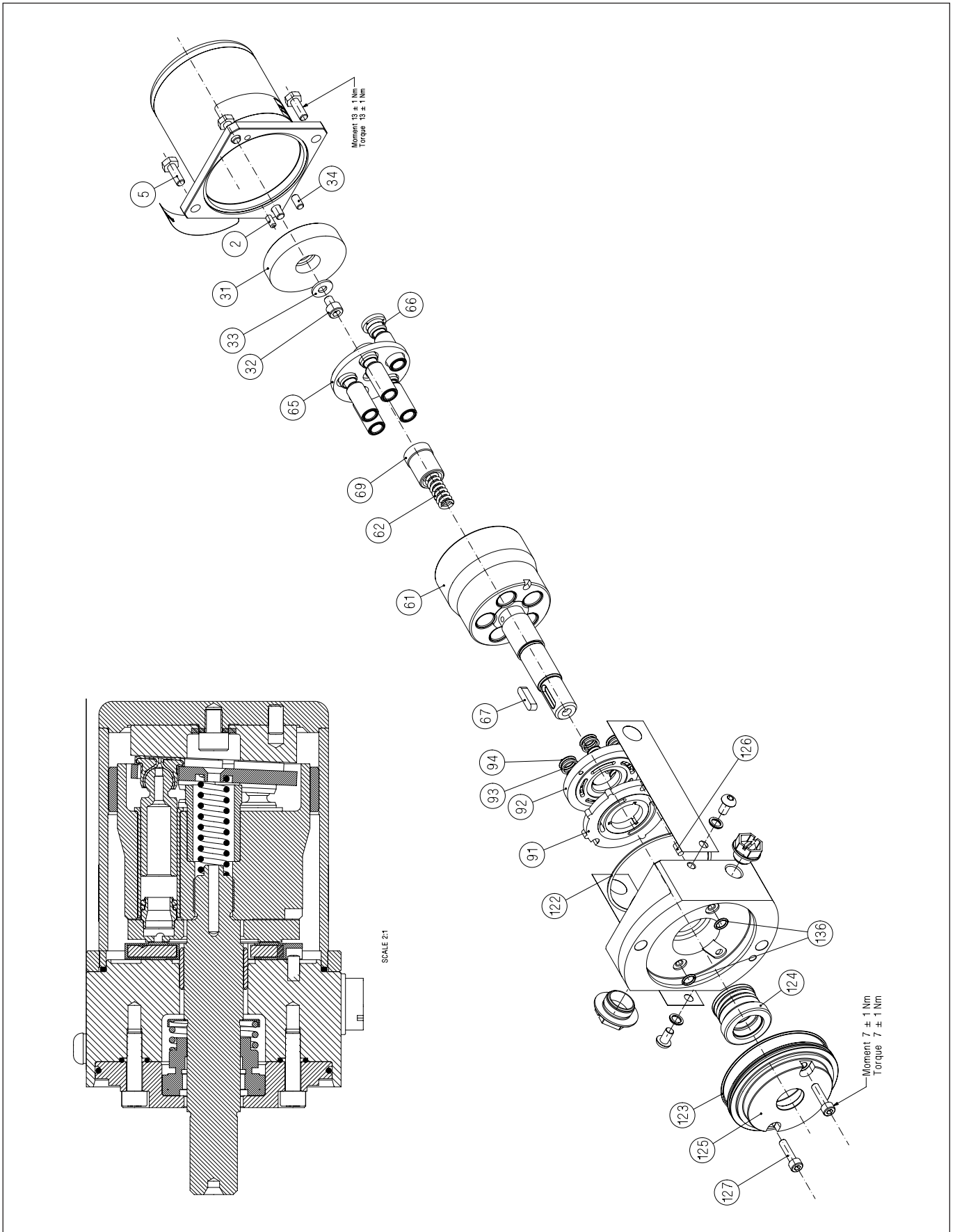
- PAHT 2-6.3
- PAHT G 2-6.3
  
- PAHT 10-12.5
- PAHT G 10-12.5
  
- PAHT 20-32
- PAHT G 20-32
  
- PAHT 50-90
- PAHT G 50-90
  
- PAHT 256-308
- PAHT G 256-308

as well as exploded views of the pumps.

**Parts list**
**PAHT and PAHT G pumps**
**2. Spare parts list for PAHT 2**

Pos.	Qty.	Designation	Material	180B4100 - Seal set (PAHT 2-6.3)	180B4104 - Cylinder barrel set (PAHT 2-6.3)	180B4101 - Valve plate set (PAHT 2-6.3)	180B4102 - Piston set (PAHT 2)	180B4301 - Swash plate set (PAHT 2)
1	1	Housing	AISI 304 / PEEK					
2	1	Pin Ø5 x 10	AISI 316	x				
5	4	Screw M6 x 16	AISI 316	x				
31	1	Swash plate	AISI 431					x
32	1	Screw M6 x 8	AISI 304					x
33	1	Washer	AISI 304					x
34	1	Pin Ø4 x 8	AISI 316					x
61	1	Cylinder barrel	AISI 431 / PEEK		x			
62	1	Spring	AISI 304				x	
63	1	Spring guide	PEEK					
64	1	Retainer ball	PEEK					
65	1	Retainer plate	1.4301				x	
66	5	Piston	AISI 431/ PEEK				x	
67	1	Key 5 x 5 x 20	AISI 316Ti	x				
69	1	Stop	PEEK				x	
91	1	Port plate	AISI 304 / PEEK			x		
92	1	Valve plate	AISI 431			x		
93	5	Back up ring	PTFE			x		
94	5	O-ring Ø8,73 x Ø1,78	NBR			x		
121	1	Port flange	AISI 304 / PEEK					
122	1	O-ring Ø70 x Ø2,72	NBR	x				
123	1	O-ring Ø75,92 x Ø1,78	NBR	x				
124	1	Shaft seal	AISI 304 / NBR	x				
125	1	End cover	AISI 304					
126	1	Pin Ø4 x 8	AISI 316					
127	2	Screw M5 x 20	AISI 304	x				
136	2	O-ring Ø7 x Ø1,5	NBR	x				
	1	Service instruction		x				

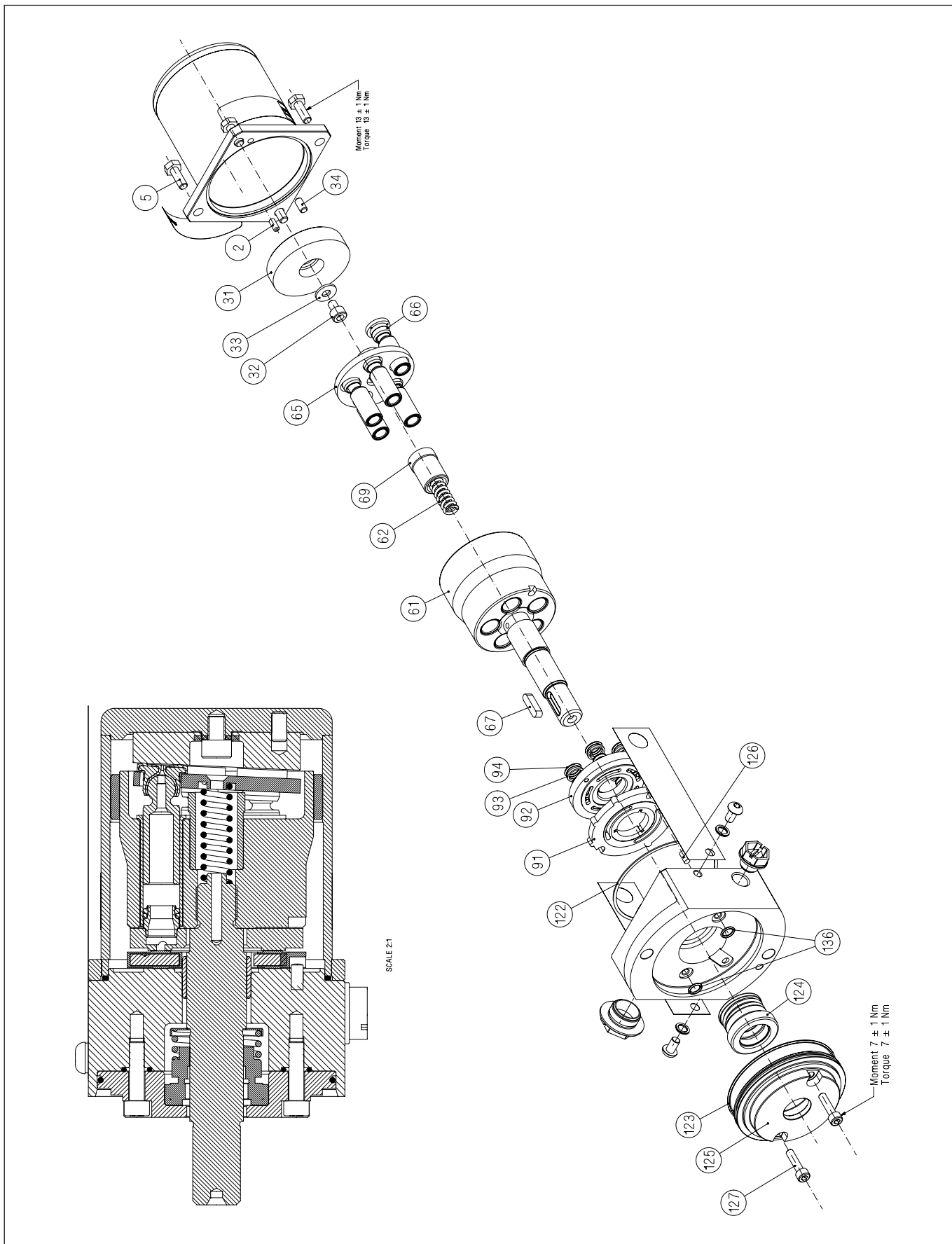
3. Exploded view for PAHT 2



**Parts list**
**PAHT and PAHT G pumps**
**4. Spare parts list for PAHT G 2**

Pos.	Qty.	Designation	Material	180B4307 - Seal set (PAHT G 2-6.3)	180B4311 - Cylinder barrel set (PAHT G 2-6.3)	180B4308 - Valve plate set (PAHT G 2-6.3)	180B4309 - Piston set (PAHT G 2)	180B4317 - Swash plate set (PAHT G 2)
1	1	Housing	AISI 304 / PEEK					
2	1	Pin Ø5 x 10	AISI 316	x				
5	4	Screw M6 x 16	AISI 316	x				
31	1	Swash plate	AISI 431					x
32	1	Screw M6 x 8	AISI 304					x
33	1	Washer	AISI 304					x
34	1	Pin Ø4 x 8	AISI 316					x
61	1	Cylinder barrel	AISI 431 / PEEK		x			
62	1	Spring	AISI 304				x	
63	1	Spring guide	PEEK					
64	1	Retainer ball	PEEK					
65	1	Retainer plate	1.4301				x	
66	5	Piston	AISI 431/ PEEK				x	
67	1	Key 5 x 5 x 20	AISI 316Ti	x				
69	1	Stop	PEEK				x	
91	1	Port plate	AISI 304 / PEEK			x		
92	1	Valve plate	AISI 431			x		
93	5	Back up ring	PTFE			x		
94	5	O-ring Ø8,73 x Ø1,78	NBR			x		
121	1	Port flange	AISI 304 / PEEK					
122	1	O-ring Ø70 x Ø2,72	NBR	x				
123	1	O-ring Ø75,92 x Ø1,78	NBR	x				
124	1	Shaft seal	AISI 304 / NBR	x				
125	1	End cover	AISI 304					
126	1	Pin Ø4 x 8	AISI 316					
127	2	Screw M5 x 20	AISI 304	x				
136	2	O-ring Ø7 x Ø1,5	NBR	x				
	1	Service instruction		x				

5. Exploded view for PAHT G 2

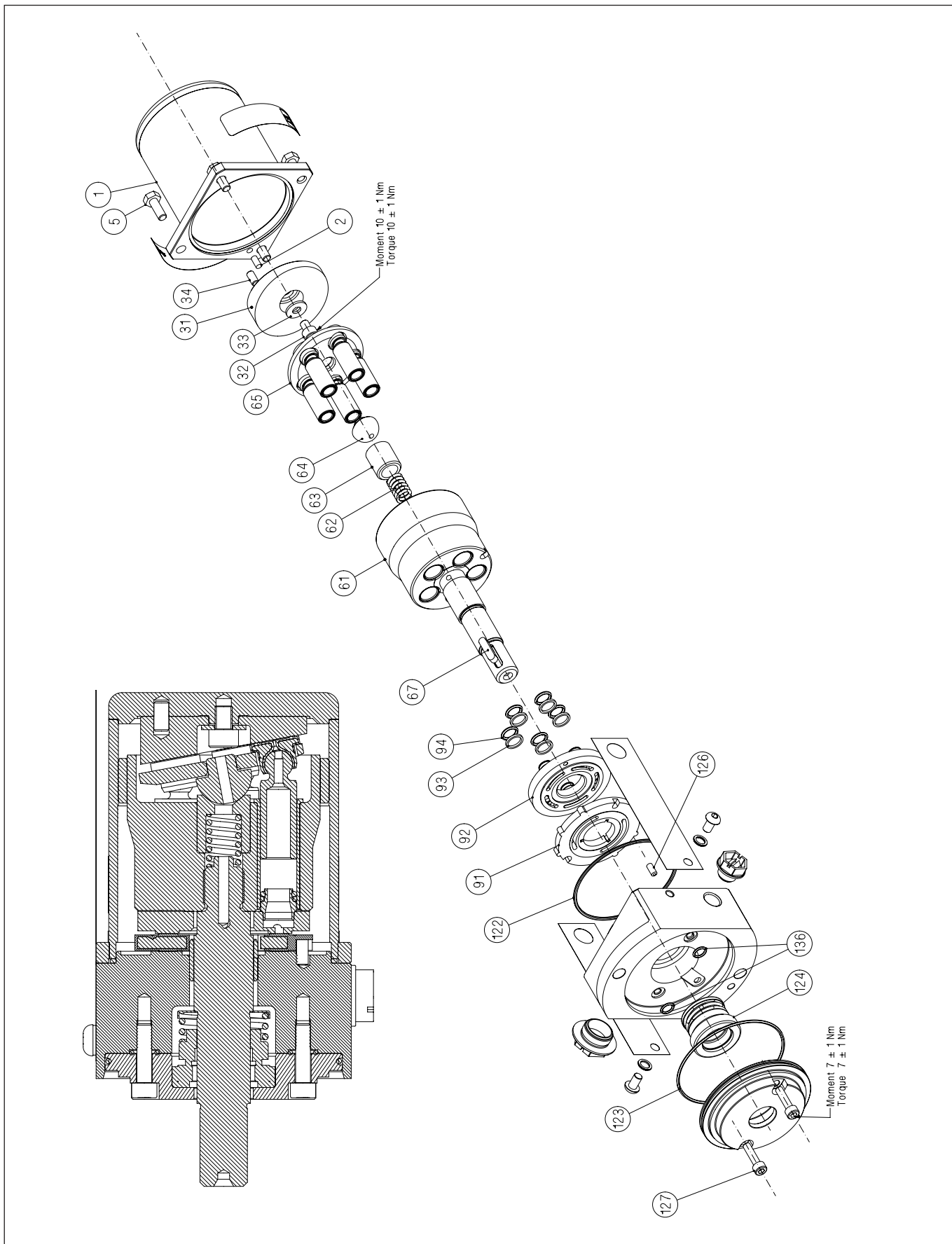


**Parts list**
**PAHT and PAHT G pumps**
**6. Spare parts list for PAHT 3.2-6.3**

Pos.	Qty.	Designation	Material	180B4100 - Seal set (PAHT 2-6.3)	180B4104 - Cylinder barrel set (PAHT 2-6.3)	180B4101 - Valve plate set (PAHT 2-6.3)	180B4103 - Piston set (PAHT 3.2-6.3)	180B4302 - Swash plate set (PAHT 3.2)	180B4303 - Swash plate set (PAHT 4)	180B4304 - Swash plate set (PAHT 6.3)
1	1	Housing	AISI 304 / PEEK							
2	1	Pin Ø5 x 10	AISI 316	x						
5	4	Screw M6 x 16	AISI 316	x						
31	1	Swash plate	AISI 431					x	x	x
32	1	Screw M6 x 8	AISI 304					x	x	x
33	1	Washer	AISI 304					x	x	x
34	1	Pin Ø4 x 8	AISI 316					x	x	x
61	1	Cylinder barrel	AISI 431 / PEEK		x					
62	1	Spring	AISI 304				x			
63	1	Spring guide	PEEK				x			
64	1	Retainer ball	PEEK				x			
65	1	Retainer plate	1.4301				x			
66	5	Piston	AISI 431/ PEEK				x			
67	1	Key 5 x 5 x 20	AISI 316Ti	x						
69	1	Stop	PEEK							
91	1	Port plate	AISI 304 / PEEK			x				
92	1	Valve plate	AISI 431			x				
93	5	Back up ring	PTFE			x				
94	5	O-ring Ø8,73 x Ø1,78	NBR			x				
121	1	Port flange	AISI 304 / PEEK							
122	1	O-ring Ø70 x Ø2,72	NBR	x						
123	1	O-ring Ø75,92 x Ø1,78	NBR	x						
124	1	Shaft seal	AISI 304 / NBR	x						
125	1	End cover	AISI 304							
126	1	Pin Ø4 x 8	AISI 316							
127	2	Screw M5 x 20	AISI 304	x						
136	2	O-ring Ø7 x Ø1,5	NBR	x						
	1	Service instruction		x						



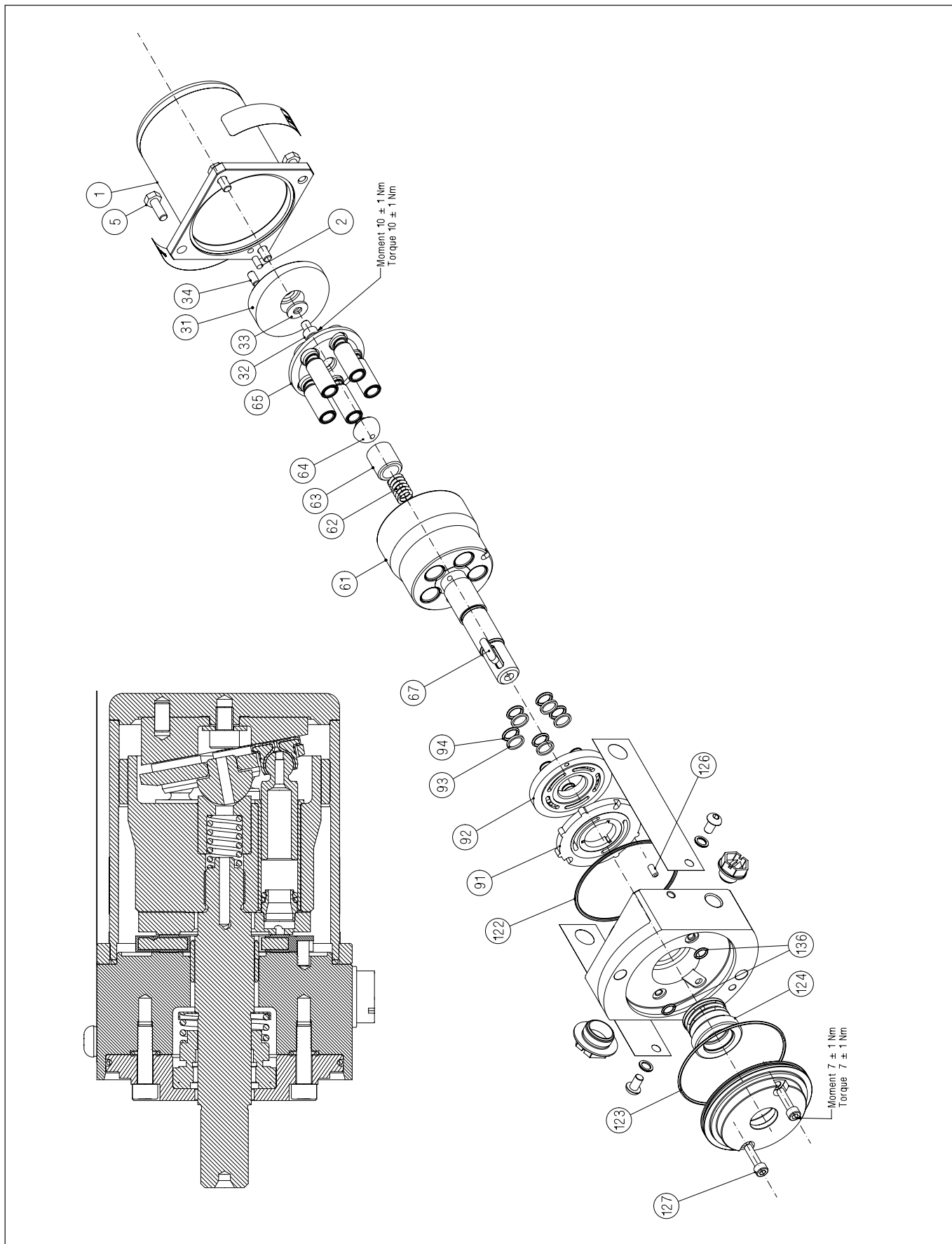
7. Exploded view for  
PAHT 3.2-6.3



**Parts list**
**PAHT and PAHT G pumps**
**8. Spare parts list for PAHT G 3.2-6.3**

Pos.	Qty.	Designation	Material	180B4307 - Seal set (PAHT G 2-6.3)	180B4311 - Cylinder barrel set (PAHT G 2-6.3)	180B4308 - Valve plate set (PAHT G 2-6.3)	180B4310 - Piston set (PAHT G 3.2-6.3)	180B4318 - Swash plate set (PAHT G 3.2)	180B4319 - Swash plate set (PAHT G 4)	180B4320 - Swash plate set (PAHT G 6.3)
1	1	Housing	AISI 304 / PEEK							
2	1	Pin Ø5 x 10	AISI 316	x						
5	4	Screw M6 x 16	AISI 316	x						
31	1	Swash plate	AISI 431					x	x	x
32	1	Screw M6 x 8	AISI 304					x	x	x
33	1	Washer	AISI 304					x	x	x
34	1	Pin Ø4 x 8	AISI 316					x	x	x
61	1	Cylinder barrel	AISI 431 / PEEK		x					
62	1	Spring	AISI 304				x			
63	1	Spring guide	PEEK				x			
64	1	Retainer ball	PEEK				x			
65	1	Retainer plate	1.4301				x			
66	5	Piston	AISI 431/ PEEK				x			
67	1	Key 5 x 5 x 20	AISI 316Ti	x						
69	1	Stop	PEEK							
91	1	Port plate	AISI 304 / PEEK			x				
92	1	Valve plate	AISI 431			x				
93	5	Back up ring	PTFE			x				
94	5	O-ring Ø8,73 x Ø1,78	NBR			x				
121	1	Port flange	AISI 304 / PEEK							
122	1	O-ring Ø70 x Ø2,72	NBR	x						
123	1	O-ring Ø75,92 x Ø1,78	NBR	x						
124	1	Shaft seal	AISI 304 / NBR	x						
125	1	End cover	AISI 304							
126	1	Pin Ø4 x 8	AISI 316							
127	2	Screw M5 x 20	AISI 304	x						
136	2	O-ring Ø7 x Ø1,5	NBR	x						
	1	Service instruction		x						

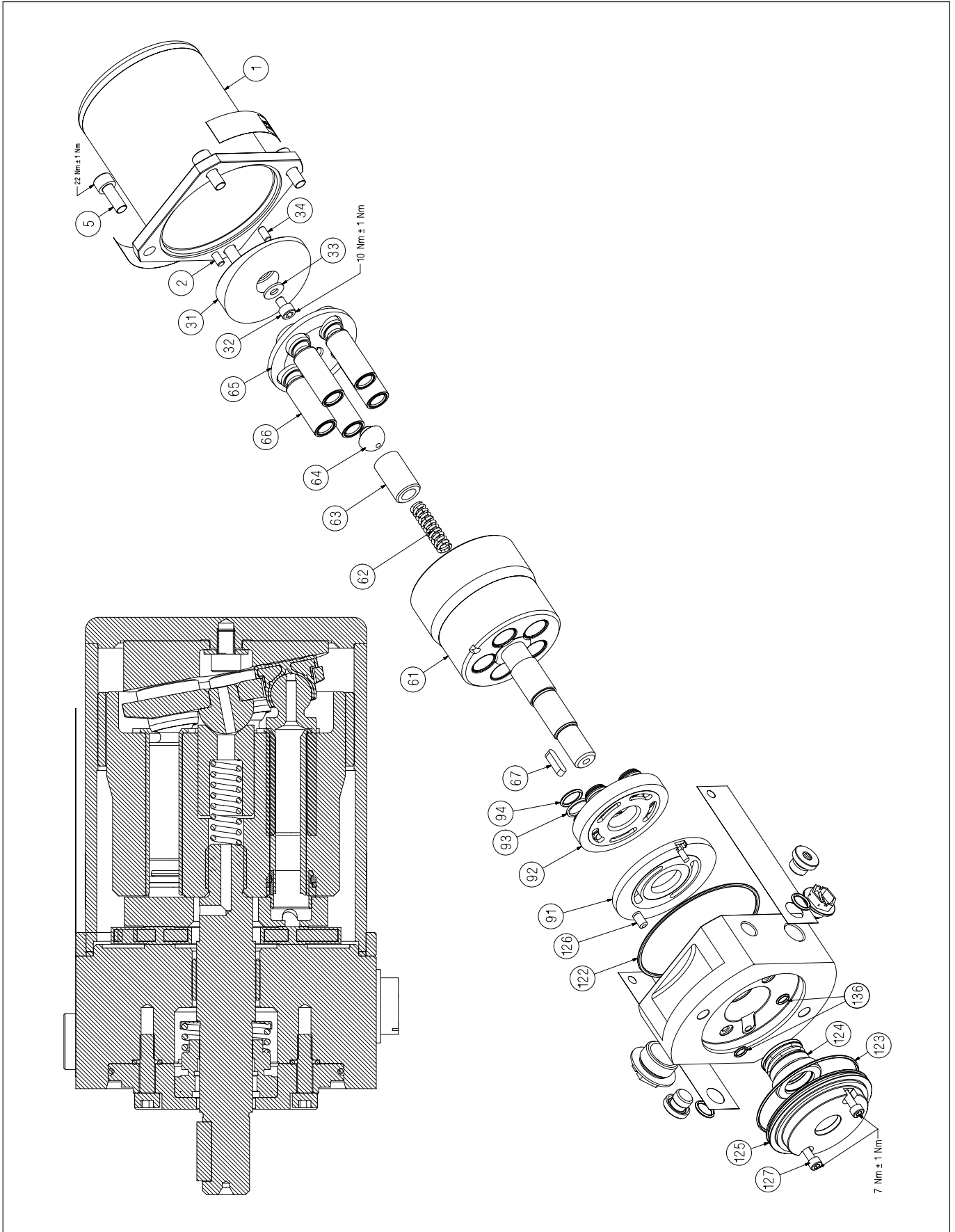
9. Exploded view for PAHT G 3.2-6.3



**Parts list**
**PAHT and PAHT G pumps**
**10. Spare parts list for PAHT 10-12.5**

Pos.	Qty.	Designation	Material	180B4105 - Seal set (PAHT 10-12.5)	180B4107 - Cylinder barrel set (PAHT 10-12.5)	180B4108 - Valve plate set (PAHT 10-12.5)	180B4106 - Piston set (PAHT 10-12.5)	180B4305 - Swash plate set (PAHT 10)	180B4306 - Swash plate set (PAHT 12.5)
1	1	Housing	AISI 304 / PEEK						
2	1	Pin Ø5 x 10	AISI 316	x					
5	4	Screw M8 x 20	AISI 304	x					
31	1	Swash plate	AISI 431					x	x
32	1	Screw M6 x 8	AISI 304					x	x
33	1	Washer	AISI 304					x	x
34	1	Pin Ø5 x 10	AISI 316					x	x
61	1	Cylinder barrel	AISI 431 / PEEK		x				
62	1	Spring	AISI 316Ti				x		
63	1	Spring guide	PEEK				x		
64	1	Retainer ball	PEEK				x		
65	1	Retainer plate	AISI 304				x		
66	5	Piston	AISI 431/ PEEK				x		
67	1	Key 5 x 5 x 20	AISI 316Ti	x					
91	1	Port plate	AISI 304 / PEEK			x			
92	1	Valve plate	AISI 431			x			
93	5	Back up ring	PTFE			x			
94	5	O-ring Ø13 x Ø2	NBR			x			
121	1	Port flange	AISI 304 / PEEK						
122	1	O-ring Ø90 x Ø2	NBR	x					
123	1	O-ring Ø75,92 x Ø1,78	NBR	x					
124	1	Shaft seal	AISI 304 / NBR	x					
125	1	End cover	AISI 304						
126	1	Pin Ø6 x 10	AISI 316						
127	2	Screw M5 x 20	AISI 304	x					
136	2	O-ring Ø7 x Ø1,5	NBR	x					
	1	Service instruction		x					

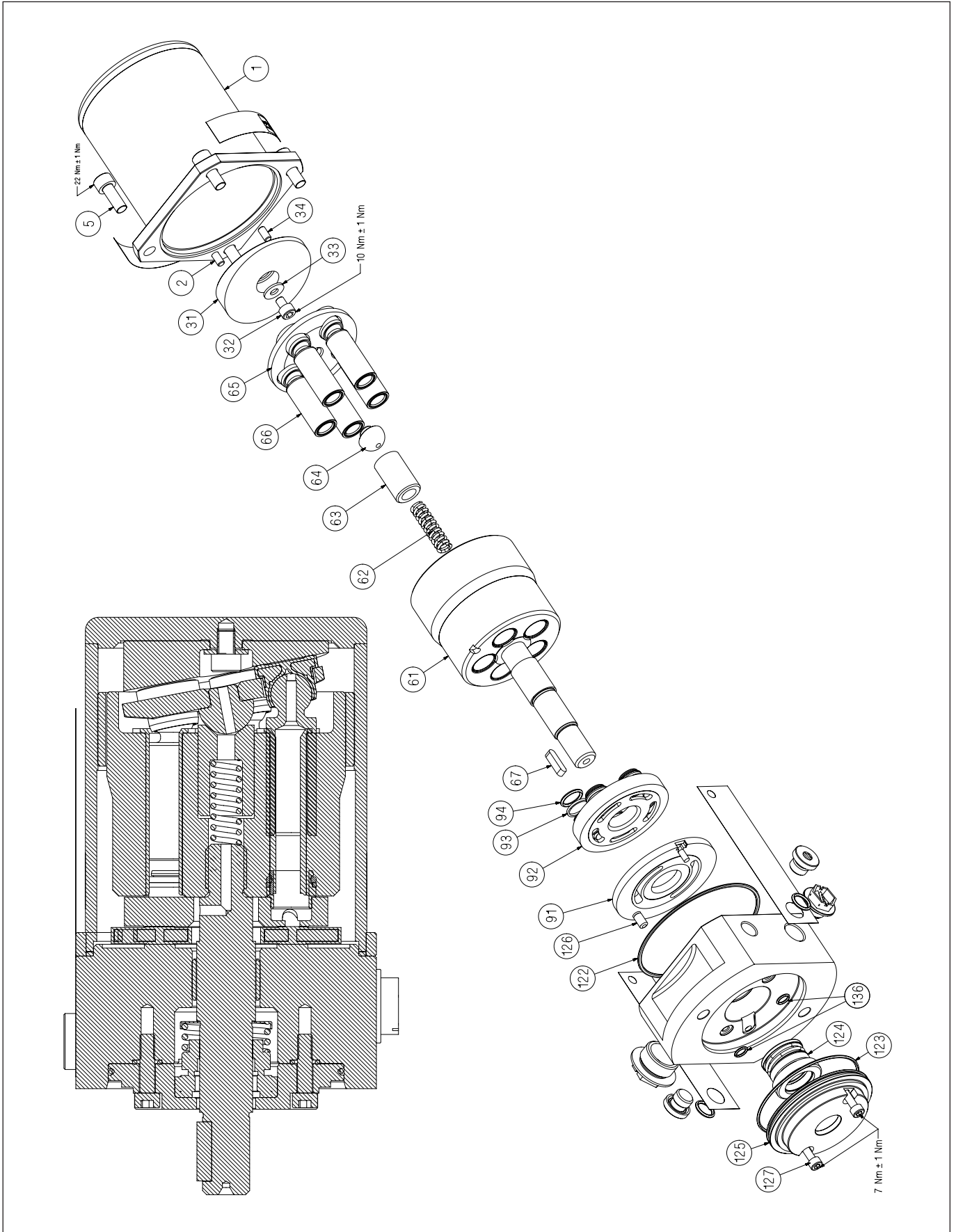
11. Exploded view for  
PAHT 10-12.5



**Parts list**
**PAHT and PAHT G pumps**
**12. Spare parts list for PAHT G 10-12.5**

Pos.	Qty.	Designation	Material	180B4312 - Seal set (PAHT G 10-12.5)	180B4315 - Cylinder barrel set (PAHT G 10-12.5)	180B4313 - Valve plate set (PAHT G 10-12.5)	180B4314 - Piston set (PAHT G 10-12.5)	180B4321 - Swash plate set (PAHT G 10)	180B4322 - Swash plate set (PAHT G 12.5)
1	1	Housing	AISI 304 / PEEK						
2	1	Pin Ø5 x 10	AISI 316	x					
5	4	Screw M8 x 20	AISI 304	x					
31	1	Swash plate	AISI 431					x	x
32	1	Screw M6 x 8	AISI 304					x	x
33	1	Washer	AISI 304					x	x
34	1	Pin Ø5 x 10	AISI 316					x	x
61	1	Cylinder barrel	AISI 431 / PEEK		x				
62	1	Spring	AISI 316Ti				x		
63	1	Spring guide	PEEK				x		
64	1	Retainer ball	PEEK				x		
65	1	Retainer plate	AISI 304				x		
66	5	Piston	AISI 431/ PEEK				x		
67	1	Key 5 x 5 x 20	AISI 316Ti	x					
91	1	Port plate	AISI 304 / PEEK			x			
92	1	Valve plate	AISI 431			x			
93	5	Back up ring	PTFE			x			
94	5	O-ring Ø13 x Ø2	NBR			x			
121	1	Port flange	AISI 304 / PEEK						
122	1	O-ring Ø90 x Ø2	NBR	x					
123	1	O-ring Ø75,92 x Ø1,78	NBR	x					
124	1	Shaft seal	AISI 304 / NBR	x					
125	1	End cover	AISI 304						
126	1	Pin Ø6 x 10	AISI 316						
127	2	Screw M5 x 20	AISI 304	x					
136	2	O-ring Ø7 x Ø1,5	NBR	x					
	1	Service instruction		x					

13. Exploded view for  
PAHT G 10-12.5

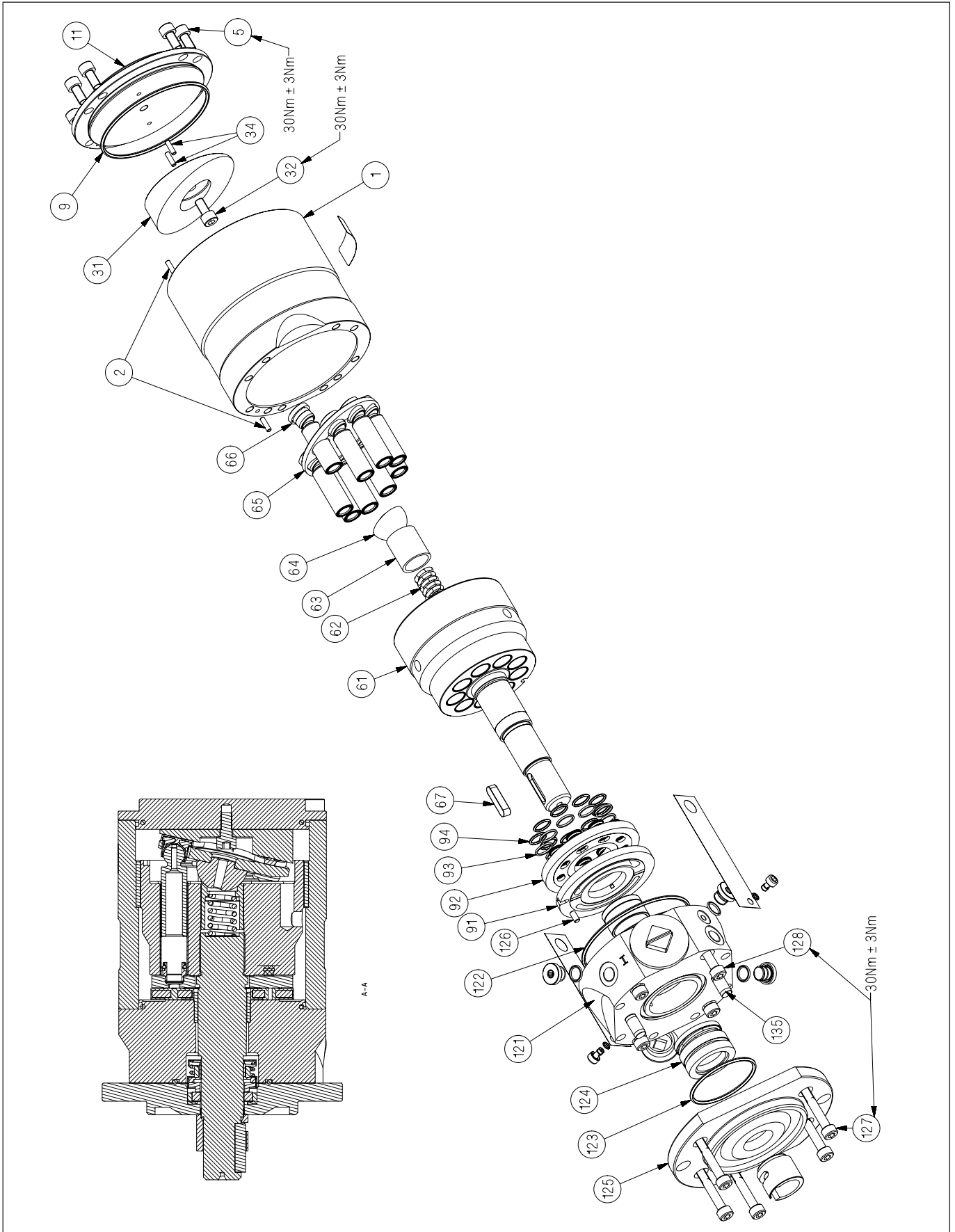


**Parts list**
**PAHT and PAHT G pumps**
**14. Spare parts list for PAHT 20-32**

Pos	Qty	Designation	Material	180B4055 - Seal set (PAHT 20-32)	180B4054 - Cylinder barrel set (PAHT 20-32)	180B4052 - Valve plate set (PAHT 20-32)	180B4053 - Piston set (PAHT 20-32)	180B4251 - Swash plate set (PAHT 20)	180B4254 - Swash plate set (PAHT 25)	180B4257 - Swash plate set (PAHT 32)
-	1	Shaft bush, topedo	-							
-	1	Press tool 1								
-	1	Press tool 2								
1	1	Housing	AISI 316							
2	2	Pin, Ø4 x 14	AISI 304	x						
5	10	Screw, M8 x 16	AISI 304	x						
9	1	O-ring, Ø102 x 3	NBR	x						
11	1	End cover CW	AISI 316							
31	1	Swash plate	AISI 431					x	x	x
34	2	Pin, Ø4 x 14	AISI 304					x	x	x
61	1	Cylinder barrel	AISI 431		x					
62	1	Spring	AISI 304				x			
63	1	Retainer	PEEK				x			
64	1	Retainer ball	AISI 304				x			
65	1	Retainer plate	1.4301				x			
66	9	Piston	AISI 431/ PEEK				x			
67	1	Key, 8 x 7 x 32	AISI 316Ti	x						
91	1	Port plate	AISI 304 / PEEK			x				
92	1	Valve plate	AISI 431			x				
93	9	Back-up ring	PTFE			x				
94	9	O-ring, Ø13 x 2	NBR			x				
121	1	Port flange	AISI 316							
122	1	O-ring, Ø102 x 3	NBR	x						
123	1	O-ring, Ø59,5 x 3	NBR	x						
124	1	Shaft sealing	AISI 304 / NBR	x						
125	1	End cover	AISI 316							
126	1	Pin, Ø5 x 10	AISI 304			x				
127	6	Screw, M8 x 60	AISI 304	x						
128	4	Screw, M8 x 50	AISI 304	x						
	1	Service instruction		x						



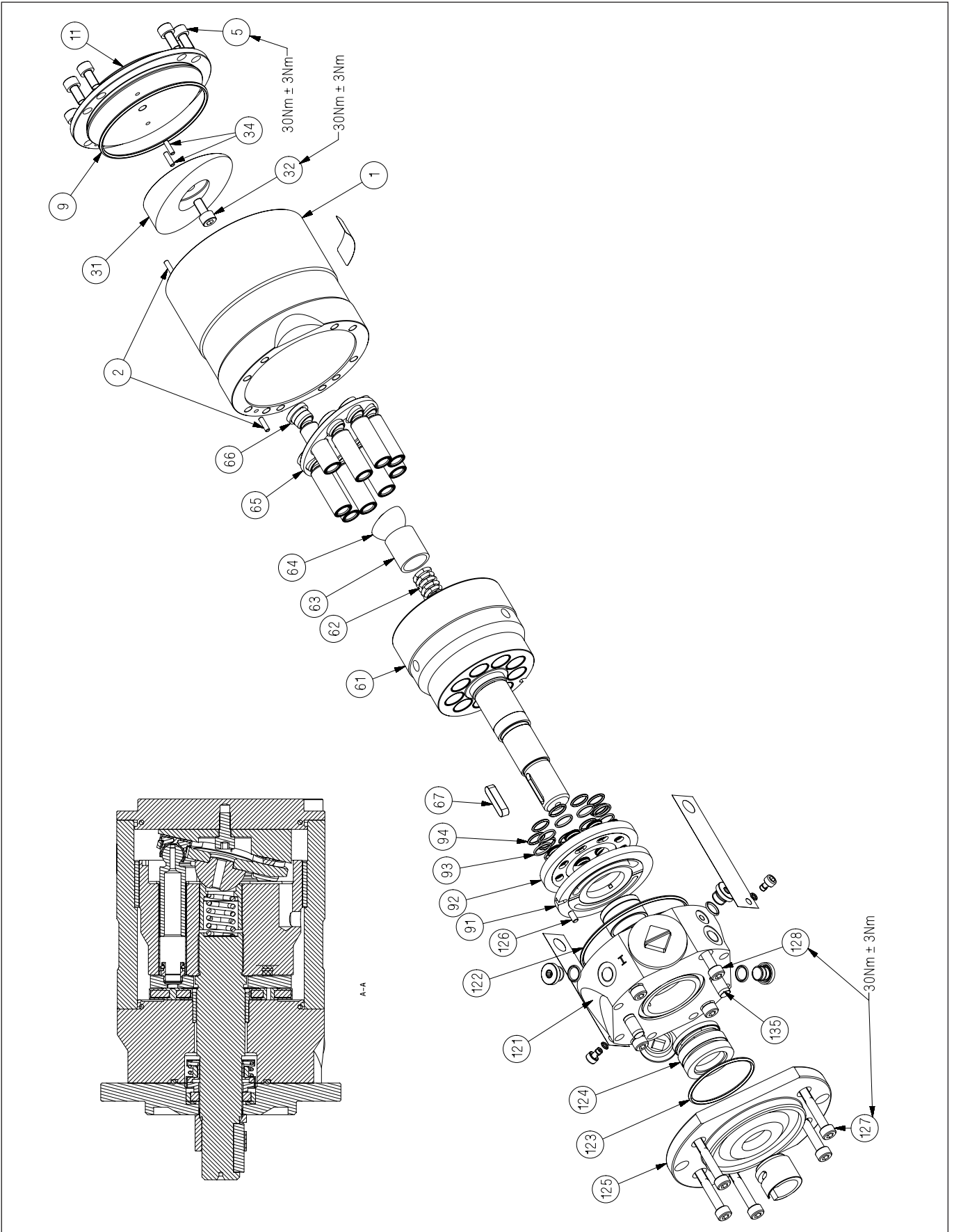
15. Exploded view for  
PAHT 20-32



**Parts list**
**PAHT and PAHT G pumps**
**16. Spare parts list for PAHT G 20-32**

Pos.	Qty.	Designation	Material	180B4333 - Seal set (PAHT G 20-32)	180B4335 - Cylinder barrel set (PAHT G 20-32)	180B4337 - Valve plate set (PAHT G 20-32)	180B4336 - Piston set (PAHT G 20-32)	180B4323 - Swash plate set (PAHT G 20)	180B4324 - Swash plate set (PAHT G 25)	180B4325 - Swash plate set (PAHT G 32)
1	1	Housing	AISI 316							
2	2	Pin Ø4 x 14	AISI 304	x						
5	10	Screw M8 x 16	AISI 304	x						
9	1	O-ring Ø102 x 3	NBR	x						
11	1	End cover CW	AISI 316							
31	1	Swash plate	AISI 431					x	x	x
32	1	Screw Ø8 x 16	AISI 304					x	x	x
34	2	Pin Ø4 x 14	AISI 304					x	x	x
61	1	Cylinder barrel	AISI 431		x					
62	1	Spring	AISI 304				x			
63	1	Retainer	PEEK				x			
64	1	Retainer ball	AISI 304				x			
65	1	Retainer plate	1.4301				x			
66	9	Piston	AISI 431 / PEEK				x			
67	1	Key 8 x 7 x 32	AISI 316Ti	x						
91	1	Port plate	AISI 304 / PEEK			x				
92	1	Valve plate	AISI 431			x				
93	9	Back up ring	PTFE			x				
94	9	O-ring Ø13 x 2	NBR			x				
121	1	Port flange	AISI 316							
122	1	O-ring Ø102 x 3	NBR	x						
123	1	O-ring Ø59,5 x 3	NBR	x						
124	1	Shaft sealing	AISI 304 / NBR	x						
125	1	End cover	AISI 316							
126	1	Pin Ø5 x 10	AISI 304			x				
127	6	Screw M8 x 60	AISI 304	x						
128	4	Screw M8 x 50	AISI 304	x						
	1	Service instruction		x						

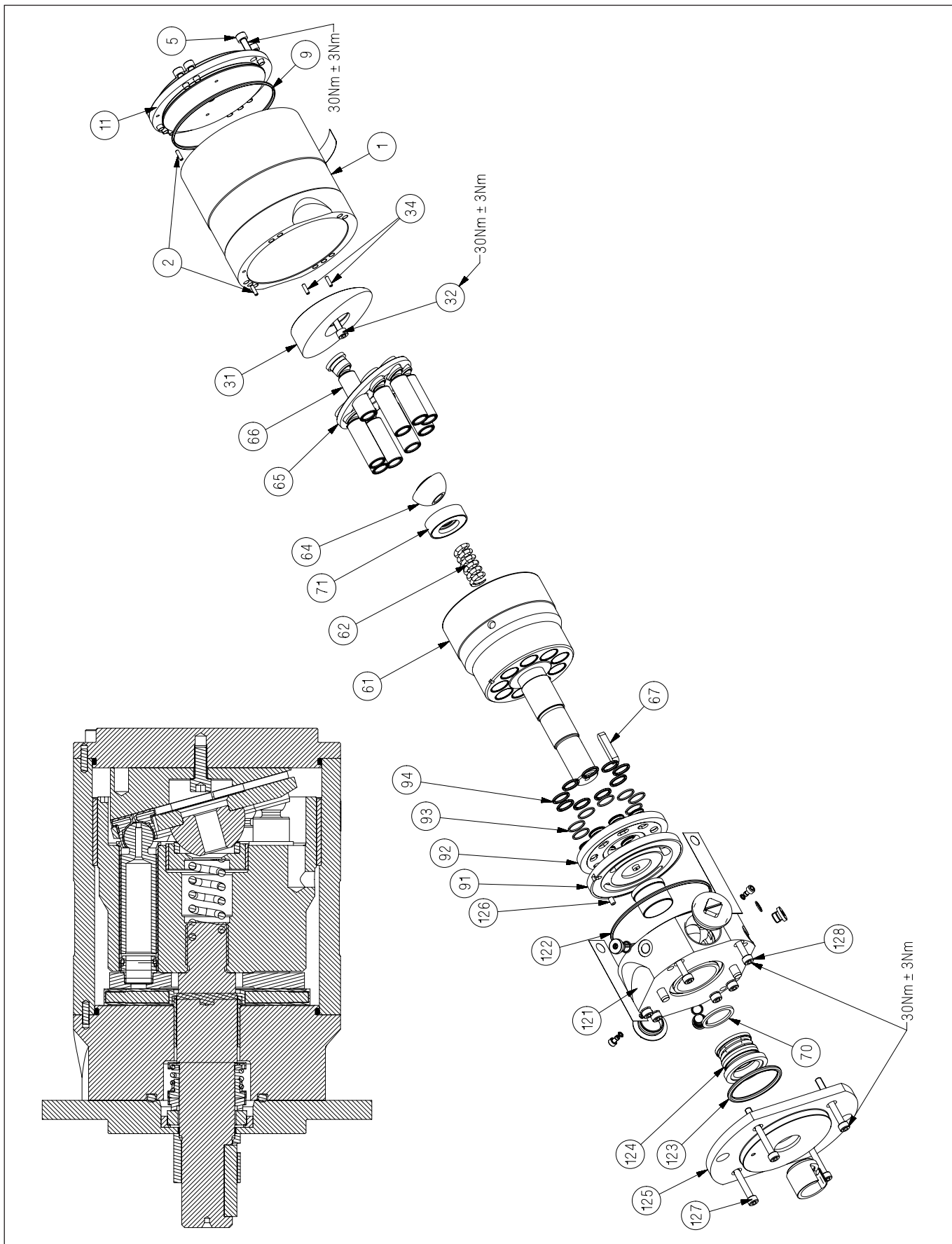
17. Exploded view for  
PAHT G 20-32



**Parts list**
**PAHT and PAHT G pumps**
**18. Spare parts list for PAHT 50-90**

Pos	Qty	Designation	Material	180B4196 - Seal set (PAHT 50-90)	180B4195 - Cylinder barrel set (PAHT 50-90)	180B4192 - Valve plate set (PAHT 50-70)	180B4193 - Valve plate set (PAHT 80-90)	180B4194 - Piston set (PAHT 50-90)	180B4252 - Swash plate set (PAHT 50)	180B4255 - Swash plate set (PAHT 63)	180B4258 - Swash plate set (PAHT 70)	180B4253 - Swash plate set (PAHT 80)	180B4256 - Swash plate set (PAHT 90)
-	1	Shaft bush, topedo	-										
-	1	Press tool 1											
-	1	Press tool 2											
1	1	Housing	AISI 316										
2	2	Pin, Ø4 x 14	AISI 304	x									
5	10	Screw, M8 x 16	AISI 304	x									
9	1	O-ring, Ø135 x 3	NBR	x									
11	1	End cover CW	AISI 316										
31	1	Swash plate	AISI 431						x	x	x	x	x
34	2	Pin, Ø4 x 14	AISI 304						x	x	x	x	x
61	1	Cylinder barrel	AISI 431		x								
62	1	Spring	1.4462					x					
64	1	Retainer ball	AISI 431					x					
65	1	Retainer plate	AISI 304					x					
66	9	Piston	AISI 431/ PEEK					x					
67	1	Key, 8 x 7 x 32	AISI 316Ti	x									
70	1	Washer	PP	x									
71	1	Retainer	AISI 304 / PEEK					x					
91	1	Port plate	AISI 304 / PEEK			x	x						
92	1	Valve plate	AISI 431			x	x						
93	9	Back-up ring	PTFE			x	x						
94	9	O-ring, Ø18,3 x 2,4	NBR			x	x						
121	1	Port flange	AISI 316										
122	1	O-ring, Ø135 x 3	NBR	x									
123	1	O-ring, Ø65 x 5	NBR	x									
124	1	Shaft sealing	AISI 304 / NBR	x									
125	1	End cover	AISI 316										
126	1	Pin, Ø6 x 10	AISI 304			x							
127	6	Screw, M8 x 70	AISI 304	x									
128	4	Screw, M8 x 55	AISI 304	x									
	1	Service instruction		x									

19. Exploded view for PAHT 50-90



**Parts list**
**PAHT and PAHT G pumps**
**20. Spare parts list for PAHT G 50-90**

Pos.	Qty.	Designation	Material	180B4341 - Seal set (PAHT G 50-90)	180B4339 - Cylinder barrel set (PAHT G 50-90)	180B4340 - Valve plate set (PAHT G 50-70)	180B4344 - Valve plate set (PAHT G 80-90)	180B4343 - Piston set (PAHT G 50-90)	180B4326 - Swash plate set (PAHT G 50)	180B4327 - Swash plate set (PAHT G 63)	180B4328 - Swash plate set (PAHT G 70)	180B4329 - Swash plate set (PAHT G 80)	180B4330 - Swash plate set (PAHT G 90)
1	1	Housing	AISI 316										
2	2	Pin $\varnothing 4 \times 14$	AISI 304	x									
5	10	Screw M8 x 16	AISI 304	x									
9	1	O-ring $\varnothing 135 \times 3$	NBR	x									
11	1	End cover CW	AISI 316										
31	1	Swash plate	AISI 431						x	x	x	x	x
32	1	Screw M8 x 20	AISI 304						x	x	x	x	x
34	2	Pin $\varnothing 4 \times 14$	AISI 304						x	x	x	x	x
61	1	Cylinder barrel	AISI 431		x								
62	1	Spring	1.4462					x					
64	1	Retainer ball	AISI 431					x					
65	1	Retainer plate	AISI 304					x					
66	9	Piston	AISI 431 / PEEK					x					
67	1	Key 8 x 7 x 32	AISI 316Ti	x									
70	1	Washer	Polypropylen	x									
71	1	Retainer	AISI 304 / PEEK					x					
91	1	Port plate	AISI 304 / PEEK			x	x						
92	1	Valve plate	AISI 431			x	x						
93	9	Back up ring	PTFE			x	x						
94	9	O-ring $\varnothing 18,3 \times 2,4$	NBR			x	x						
121	1	Port flange	AISI 316										
122	1	O-ring $\varnothing 135 \times 3$	NBR	x									
123	1	O-ring $\varnothing 65 \times 5$	NBR	x									
124	1	Shaft sealing	AISI 304 / NBR	x									
125	1	End cover	AISI 316										
126	1	Pin $\varnothing 6 \times 10$	AISI 304			x	x						
127	6	Screw M8 x 70	AISI 304	x									
128	4	Screw M8 x 55	AISI 304	x									
	1	Service instruction		x									

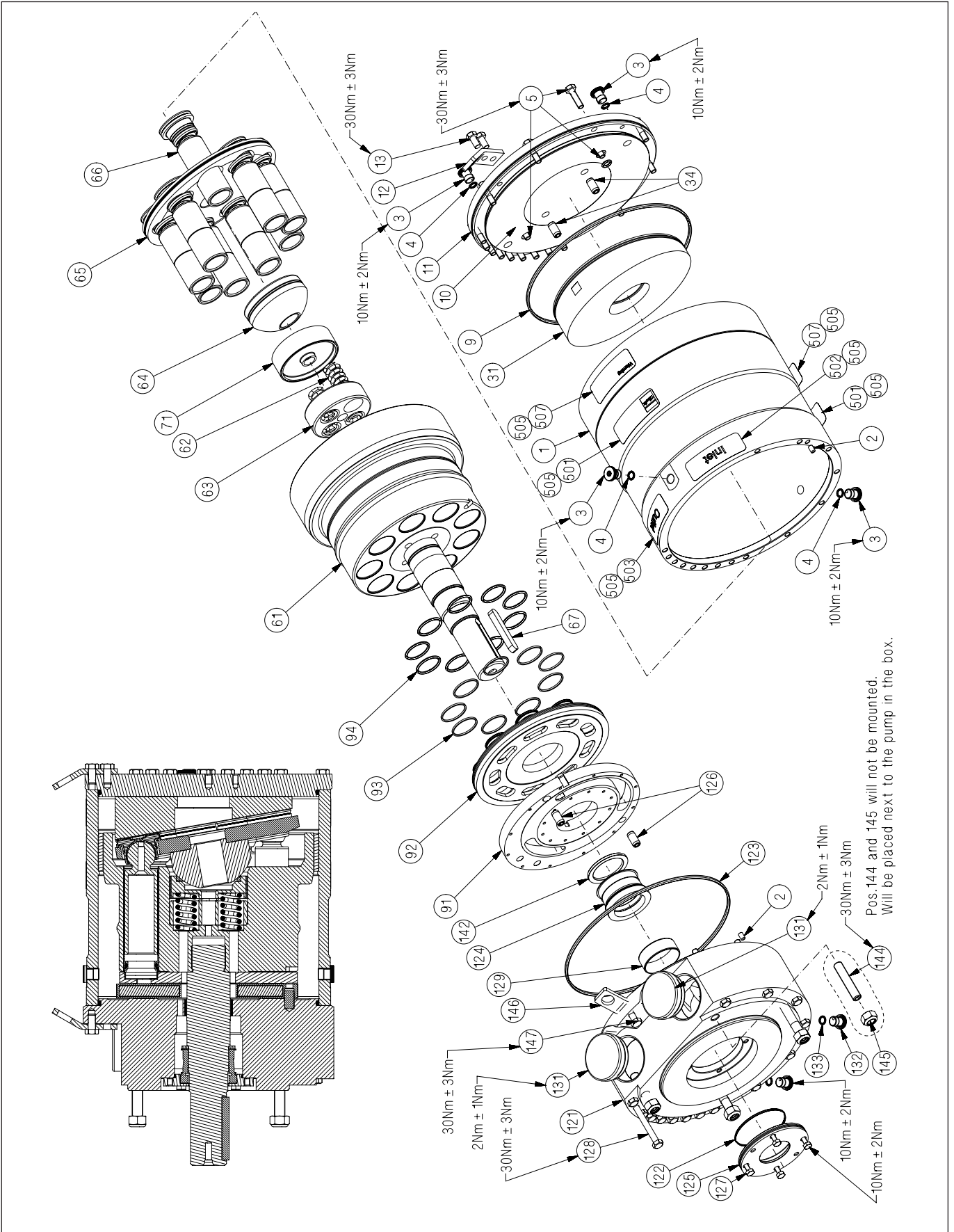


**Parts list**
**PAHT and PAHT G pumps**
**22. Spare parts list for PAHT 256-308**

Pos	Qty	Designation	Material	180B4082 - Seal set (PAHT 256-308)	180B4079 - Cylinder barrel set (PAHT 256-308)	180B4078 - Valve plate set (PAHT 256-308)	180B4084 - Retainer set (PAHT 256-308)	180B4083 - Piston set (PAHT 256-308)	180B4080 - Swash plate set (PAHT 256)	180B4081 - Swash plate set (PAHT 308)
1	1	Housing	Duplex / PEEK							
2	2	Pin, Ø6 x 10	AISI 316	x					x	x
2	1	Pin, Ø6 x 10	AISI 316					x		
3	4	Bleeding plug, G 1/4"	Super Duplex	x						
4	4	O-ring, Ø11 x 2	NBR	x						
5	17	Screw, M8 x 30	AISI 316	x					x	x
5	15	Screw, M8 x 30	AISI 316					x		
9	1	O-ring, Ø228 x 4	NBR	x				x	x	x
10	2	O-ring, Ø9,19 x 2,62	NBR	x						
11	1	End cover CW	Duplex							
13	2	Screw, M8 x 16	AISI 316	x				x	x	x
31	1	Swash plate	Super Duplex						x	x
34	2	Pin, Ø10,5 x 20	Duplex	x					x	x
61	1	Cylinder barrel	Super Duplex / PEEK		x					
62	4	Spring	Duplex				x			
63	1	Spring guide	PP				x			
64	1	Retainer guide	Super Duplex				x			
65	1	Retainer plate	Super Duplex				x			
66	9	Piston	Super Duplex / PEEK					x		
67	1	Key, 12 x 8 x 70	AISI 316							
71	1	Ass. retainer	Super Duplex / PEEK				x			
91	1	Port plate	Super Duplex / PEEK			x				
92	1	Valve plate	Super Duplex			x				
93	9	Back up ring	PTFE			x				
94	9	O-ring, Ø30,2 x 3	NBR			x				
121	1	Port flange	Duplex							
122	1	O-ring, Ø68 x 2	NBR	x						
123	1	O-ring, Ø228 x 4	NBR	x						
124	1	Shaft sealing	Hastelloy C276	x						
125	1	End cover	Super Duplex							
126	2	Pin, Ø10,5 x 20	Super Duplex	x		x				
127	2	Screw, M6 x 16	AISI 316	x						
128	15	Screw, M8 x 90	AISI 316	x						
142	1	Washer for shaft seal	PP	x						
147	1	Screw, M8 x 16	AISI 316	x						
	1	Service instruction		x				x		



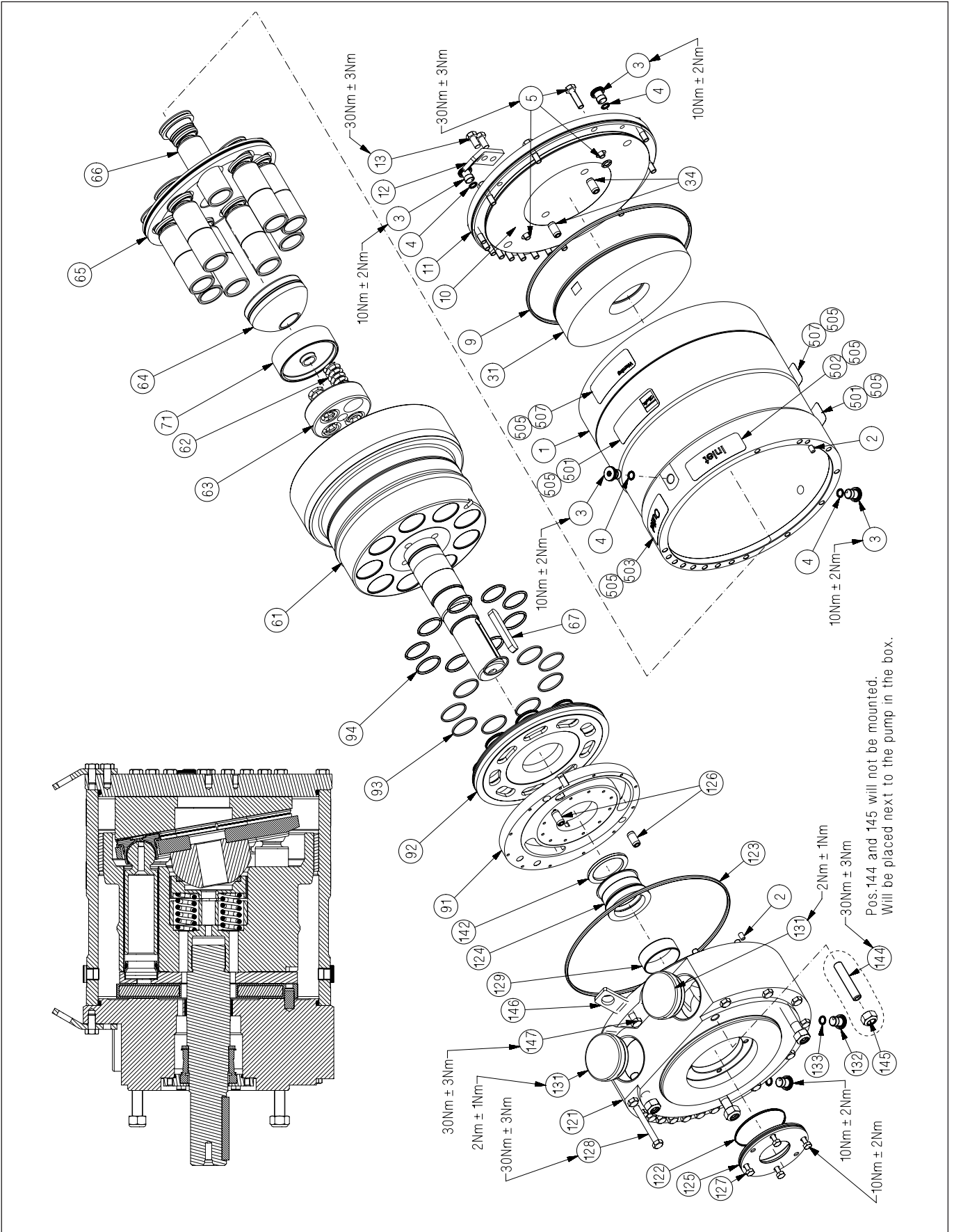
23. Exploded view for  
PAHT 256-308



**Parts list**
**PAHT and PAHT G pumps**
**24. Spare parts list for PAHT G 256-308**

Pos.	Qty.	Designation	Material	180B4370 - Seal set (PAHT G 256-308)	180B4369 - Cylinder barrel set (PAHT G 256-308)	180B4367 - Valve plate set (PAHT G 256-308)	180B4366 - Retainer set (PAHT G 256-308)	180B4368 - Piston set (PAHT G 256-308)	180B4331 - Swash plate set (PAHT G 256)	180B4332 - Swash plate set (PAHT G 308)
1	1	Housing	Duplex / PEEK							
2	2	Pin Ø6 x 10	AISI 316	x						
2	1	Pin Ø6 x 10	AISI 316					x		
3	4	Bleeding plug G 1/4"	Super Duplex	x						
4	4	O-ring Ø11 x 2	NBR	x						
5	17	Screw M8 x 30	AISI 316	x				x		
9	1	O-ring Ø228 x 4	NBR	x				x	x	x
10	2	O-ring Ø9,19 x 2,62	NBR	x						
11	1	End cover CW	Duplex							
13	2	Screw M8 x 16	AISI 316	x						
31	1	Swash plate	Super Duplex						x	x
34	2	Pin Ø10,5 x 20	Duplex	x					x	x
61	1	Cylinder barrel	Super Duplex / PEEK		x					
62	4	Spring	Duplex				x			
63	1	Spring guide	PP				x			
64	1	Retainer guide	Super Duplex				x			
65	1	Retainer plate	Super Duplex				x			
66	9	Piston	Super Duplex / PEEK					x		
67	1	Key 12 x 8 x 70	AISI 316	x						
71	1	Ass. retainer	Super Duplex / PEEK				x			
91	1	Port plate	Super Duplex / PEEK			x				
92	1	Valve plate	Super Duplex			x				
93	9	Back up ring	PTFE	x		x				
94	9	O-ring Ø30,2 x 3	NBR	x		x				
121	1	Port flange	Duplex							
122	1	O-ring Ø68 x 2	NBR	x						
123	1	O-ring Ø228 x 4	NBR	x						
124	1	Shaft sealing	Hastelloy C276	x						
125	1	End cover	Super Duplex							
126	2	Pin Ø10,5 x 20	Super Duplex	x						
127	2	Screw M6 x 16	AISI 316	x						
128	15	Screw M8 x 90	AISI 316	x						
142	1	Washer for shaft seal	PP	x						
145	4	Locking nut M12	AISI 316	x						
147	1	Screw M8 x 16	AISI 316	x						
	1	Service instruction		x				x		

25. Exploded view for  
PAHT G 256-308



**26. Tool sets**

Designation	180Z0235 - Tool set (PAHT / PAHT G 2-6.3)	180Z0235 - Tool set (PAHT / PAHT G 2-12.5)	180Z0236 - Shaft seal tool set (PAHT 20-32)	180Z0237 - Shaft seal tool set (PAHT 50-90)	180B4259 Tool set (PAHT 256-308)
Shaft bush, torpedo	x	x	x	x	
Press tool	x	x	x	x	
Mounting screw	x	x	x	x	
Allen key, 6 mm					x
Adjustable pin wrench					x
Combination wrench, 10 mm					x
Combination wrench, 13 mm					x
Nut, M8 x 6.5 x 13					x
Guide bolt, M8 x 140					x
Shaft seal extractor, Ø45					x
Press bush, Ø45					x
Eye bolt, M8					x
Press bush for valve plate					x
Stop for retainer plate					x
Screw, M8 x 20					x
Screw, M8 x 70					x