

Data sheet

# PAHT 2-308 pumps / PAHT G 2-308 pumps / ATEX PAHT G pump



**Table of Contents**

1.	Introduction .....	2
2.	Benefits.....	3
3.	Application examples .....	3
4.	Technical data .....	4
4.1	PAHT 2-12.5 .....	4
4.2	PAHT 20-32 .....	5
4.3	PAHT 50-90 .....	6
4.4	PAHT 256-308.....	7
5.	Flow .....	8
5.1	PAHT 2-6.3 typical flow curves at max pressure .....	8
5.2	PAHT 10-12.5 typical flow curves at max pressure .....	9
5.3	PAHT 20-32 typical flow curves at max pressure.....	10
5.4	PAHT 50-90 typical flow curves at max pressure.....	11
5.5	PAHT 256-308 typical flow curves at max pressure .....	12
6.	Motor requirements.....	13
7.	Installation.....	14
7.1	Filtration .....	14
7.2	Noise .....	14
7.3	Open-system design .....	15
7.4	Closed-system design .....	16
8.	Dimensions and connections.....	17
8.1	PAHT 2-6.3.....	17
8.2	PAHT 10-12.5.....	18
8.3	PAHT 20 .....	19
8.4	PAHT 25-32 .....	20
8.5	PAHT 50-90 .....	21
8.6	PAHT 256-308.....	22
9.	Service.....	23

**1. Introduction**

The Danfoss range of PAHT and PAHT G high-pressure pumps is specifically designed for use with technical water such as:

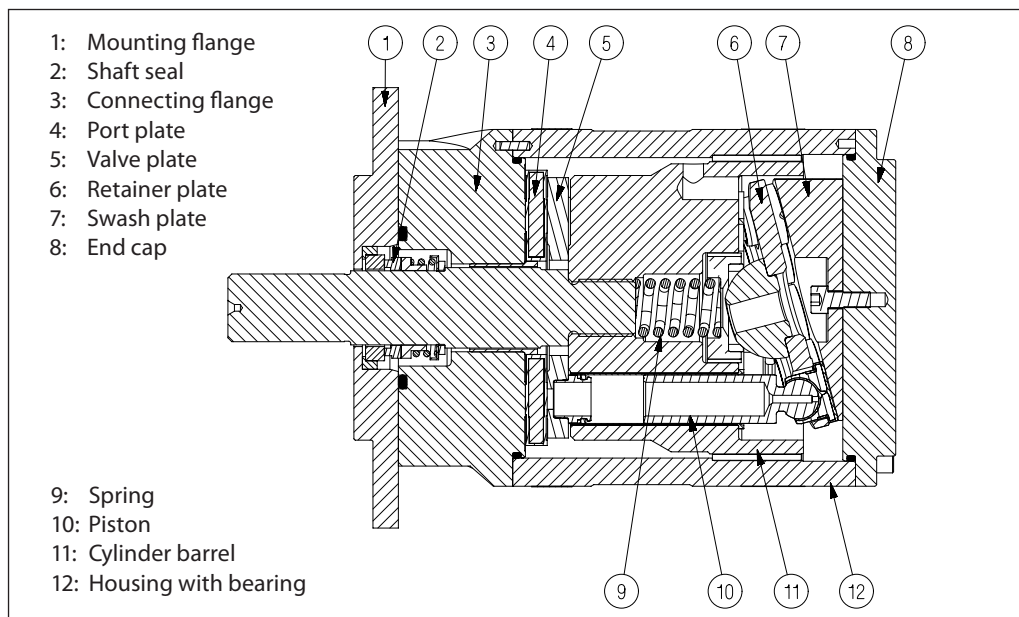
- Ultra-pure water that has undergone multiple reverse osmosis processes
- De-ionized water
- Demineralized water

Danfoss PAHT pumps are positive displacement pumps, with axial pistons that move a fixed amount of water in each cycle. Flow is proportional to the number of input shaft revolutions (rpm). Unlike centrifugal pumps, they produce the same flow at a given speed independently of no matter what the discharge pressure.

The range of PAHT G pumps is based on the standard PAHT pump series. The PAHT G pumps are made with extra coatings that reduce the wear of the pump. This coating is particularly important for pumps used in gas turbine applications or other similar applications where the wear of the pumps is higher due to the ultra pure water quality.

The next pages will cover both PAHT, PAHT G and PAHT G ATEX pumps with the name PAHT pumps.

Below sectional drawing is an example of a PAHT pump.



**2. Benefits**

- **Zero risk of lubricant contamination:**
  - Oil lubricants are replaced with the pumped medium, water, so there is no contamination risk from the pump.
- **Low maintenance costs:**
  - Efficient design and all-stainless steel construction ensure exceptionally long lifetime. When Danfoss specifications are met, service intervals of up to 8,000 hours can be expected. Service is easy, and can be carried out on site due to the simple design and few parts.
- **Low energy costs:**
  - The highly efficient axial piston design provides the lowest energy consumption of any comparable pump on the market.
- **Easy installation:**
  - The lightest and most compact design available.
- Pump can be installed horizontally or vertically.
- No pulsation dampeners necessary due to extremely low-pressure pulsation.
- Powered by electric motors or combustion engines.
- Suitable for both boosted inlet pressure and water supply from a tank.
- No need for cooling circuits due to very high mechanical efficiency.
- **Certified quality:**
  - Fulfills the stringent hygiene requirements, VDI 6022, HACCP.
  - Certificates: ISO 9001, ISO 14001
  - ATEX available on PAHT G, API available on request

**3. Application examples**

- High-pressure cleaning with ultra-pure water, as used in the manufacturing of flat-panel displays and many other electronic products.
- High-pressure cleaning with ultra-pure water, as used in the manufacturing of parts for the automobile industry.
- Adiabatic cooling systems to replace or supplement standard A/C systems in server rooms and factories.
- Humidification in office buildings, electronic component manufacturing, dairies, greenhouses, etc.
- Dust suppression and odor control systems, for example in paper, textile and wood production.
- Reduction of NOx emissions in diesel engines and gas turbines.
- Gas turbine by inlet fogging and fuel wash systems.

4. Technical data

4.1 PAHT 2-12.5

Pump size		2	3.2	4	6.3	10	12.5
Code number PAHT		180B0031	180B0077	180B0030	180B0029	180B0032	180B0033
Code number PAHT G		180B1003	180B1004	180B1005	180B1006	180B1007	180B1008
Code number ATEX PAHT G		180B6131	180B6177	180B6130	180B6129	180B6132	180B6133
Housing material		AISI 304	AISI 304	AISI 304	AISI 304	AISI 304	AISI 304
Geometric displacement	cm <sup>3</sup> /rev	2	3.2	4	6.3	10	12.5
	in <sup>3</sup> /rev	0.12	0.20	0.24	0.38	0.61	0.76
<b>Pressure</b>							
Min. outlet pressure	barg	30	30	30	30	30	30
	psig	435	435	435	435	435	435
Max. outlet pressure	barg	100	100	100	100	140	140
	psig	1450	1450	1450	1450	2031	2031
Inlet pressure, continuous	barg	0-4	0-4	0-4	0-4	0-4	0-4
	psig	0-58	0-58	0-58	0-58	0-58	0-58
Max. inlet <sup>1)</sup> pressure, peak	barg	4	4	4	4	4	4
	psig	58	58	58	58	58	58
<b>Speed</b>							
Min. speed	rpm	1000	1000	1000	1000	1000	1000
Min. speed, continuous	rpm	1000	1000	1000	1000	1000	1000
Max. speed	rpm	3000	3000	3000	3000	2400	2400
<b>Typical flow - Flow curves available in section 5</b>							
1000 rpm at max. pressure	l/min	0.7	2.0	3.0	5.5	7.6	10.2
1500 rpm at max. pressure	l/min	1.7	3.6	5.0	8.6	12.6	16.5
1200 rpm at max. pressure	gpm	0.3	0.7	1.0	1.8	2.5	3.3
1800 rpm at max. pressure	gpm	0.6	1.2	1.6	2.7	4.0	5.3
<b>Typical motor size</b>							
1500 rpm at max. pressure	kW 50 Hz	0.75	1.1	1.5	2.2	4.0	5.5
1800 rpm at max. pressure	hp 60 Hz	1.0	1.5	2.0	3.0	7.5	7.5
Torque at max. outlet pressure	Nm	4.4	6.7	8.1	12.4	25.6	31.7
	lbf-ft	3.2	4.9	6.0	9.2	18.9	23.4
Media temperature	°C	2-50	2-50	2-50	2-50	2-50	2-50
	°F	37-122	37-122	37-122	37-122	37-122	37-122
Ambient temperature	°C	0-50	0-50	0-50	0-50	0-50	0-50
	°F	32-122	32-122	32-122	32-122	32-122	32-122
Sound pressure level <sup>2)</sup>	dB(A)	76	76	76	76	75	75
Weight	kg	4.4	4.4	4.4	4.4	7.7	7.7
	lbs	9.7	9.7	9.7	9.7	17.0	17.0

<sup>1)</sup> 1% per minute peak, 10% per minute during start up.

<sup>2)</sup> Measurements according to EN ISO 3744: 2010 / dB(A) [L<sub>PA, 1m</sub>] values are calculated. Measured at max pressure and rpm for a motor pump unit.

4.2 PAHT 20-32

Pump size		20	25	32
Code number PAHT		180B0019	180B0020	180B0021
Code number PAHT G		180B1009	180B1010	180B1011
Code number ATEX PAHT G		180B6119	180B6120	180B6121
Housing material		AISI 316 or higher	AISI 316 or higher	AISI 316 or higher
Geometric displacement	cm <sup>3</sup> /rev	20	25	32
	in <sup>3</sup> /rev	1.22	1.53	1.95
<b>Pressure</b>				
Min. outlet pressure	barg	30	30	30
	psig	435	435	435
Max. outlet pressure	barg	100	160	160
	psig	1450	2321	2321
Inlet pressure, continuous <sup>1)</sup>	barg	0-6	0-6	0-6
	psig	0-87	0-87	0-87
Max. inlet pressure, peak <sup>2)</sup>	barg	20	20	20
	psig	290	290	290
<b>Speed</b>				
Min. speed	rpm	700	700	700
Min. speed, continuous	rpm	1000	1000	1000
Max. speed	rpm	2400	2400	2400
<b>Typical flow - Flow curves available in section 5</b>				
1000 rpm at max pressure	l/min	16.9	20.6	28.0
1500 rpm at max pressure	l/min	27.0	33.2	44.2
1200 rpm at max. pressure	gpm	5.4	6.7	9.0
1800 rpm at max. pressure	gpm	8.6	10.6	14.0
<b>Typical motor size</b>				
1500 rpm at max. pressure	kW 50Hz	5.5	11.0	15.0
1800 rpm at max. pressure	hp 60Hz	7.5	20.0	20.0
Torque at max. outlet pressure	Nm	21.0	69.2	89.0
	lbf-ft	15.5	51.1	65.7
Media temperature	°C	2-50	2-50	2-50
	°F	37-122	37-122	37-122
Ambient temperature	°C	0-50	0-50	0-50
	°F	32-122	32-122	32-122
Sound pressure level <sup>3)</sup>	dB(A)	79	79	79
Weight	kg	19	19	19
	lbs	42	42	42

<sup>1)</sup> Above 1800 rpm inlet pressure 2-6 barg

<sup>2)</sup> 1% per minute peak, 10% per minute during start up.

<sup>3)</sup> Measurements according to EN ISO 3744: 2010 / dB(A) [L<sub>pa,1m</sub>] values are calculated. Measured at max pressure and rpm for a motor pump unit.

4.3 PAHT 50-90

Pump size		50	63	70	80	90
Code number PAHT		180B0085	180B0086	180B0087	180B0088	180B0089
Code number PAHT G		180B1012	180B1013	180B1014	180B1015	180B1016
Code number ATEX PAHT G		180B6185	180B6186	180B6187	180B6188	180B6189
Housing material		AISI 316 or higher	AISI 316 or higher	AISI 316 or higher	AISI 316 or higher	AISI 316 or higher
Geometric displacement	cm <sup>3</sup> /rev	50	63	70	80	90
	in <sup>3</sup> /rev	3.05	3.84	4.27	4.88	5.49
<b>Pressure</b>						
Min. outlet pressure	barg	30	30	30	30	30
	psig	435	435	435	435	435
Max. outlet pressure	barg	80	160	160	160	160
	psig	1160	2321	2321	2321	2321
Inlet pressure, continuous	barg	0-6	0-6	0-6	0-6	0-6
	psig	0-87	0-87	0-87	0-87	0-87
Max. inlet <sup>1)</sup> pressure, peak	barg	20	20	20	20	20
	psig	290	290	290	290	290
<b>Speed</b>						
Min. speed	rpm	700	700	700	700	700
Min. speed, continuous	rpm	1000	1000	1000	1000	1000
Max. speed	rpm	1800	1800	1800	1800	1800
<b>Typical flow - Flow curves available in section 5</b>						
1000 rpm at max. pressure	l/min	43.7	50.5	57.7	68.3	77.6
1500 rpm at max. pressure	l/min	68.7	82.1	92.9	108.5	122.6
1200 rpm at max. pressure	gpm	14.0	16.4	18.7	21.9	24.9
1800 rpm at max. pressure	gpm	21.8	26.3	29.6	34.5	38.9
<b>Typical motor size</b>						
1500 rpm at max. pressure	kW 50 Hz	11	30	30	37	45
1800 rpm at max. pressure	hp 60 Hz	20	50	50	60	75
Torque at max. outlet pressure	Nm	68.5	172.6	191.8	219.8	246.6
	lbf-ft	50.6	127.4	141.5	162.2	182.0
Media temperature	°C	2-50	2-50	2-50	2-50	2-50
	°F	37-122	37-122	37-122	37-122	37-122
Ambient temperature	°C	0-50	0-50	0-50	0-50	0-50
	°F	32-122	32-122	32-122	32-122	32-122
Sound pressure level <sup>2)</sup>	dB(A)	80	80	80	80	81
Weight	kg	34	34	34	34	34
	lbs	75	75	75	75	75

<sup>1)</sup> 1% per minute peak, 10% per minute during start up.

<sup>2)</sup> Measurements according to EN ISO 3744: 2010 / dB(A) [L<sub>PA,1m</sub>] values are calculated. Measured at max pressure and rpm for a motor pump unit.

4.4 PAHT 256-308

Pump size		256	308
Code number PAHT		180B1001	180B1002
Code number PAHT G		180B6090	180B6091
Code number ATEX PAHT G		180B6190	180B6191
Housing material		AISI 316 or higher	AISI 316 or higher
Geometric displacement	cm <sup>3</sup> /rev	256	308
	in <sup>3</sup> /rev	15.6	18.8
<b>Pressure</b>			
Min. outlet pressure	barg	30	30
	psig	435	435
Max. outlet pressure	barg	120	120
	psig	1740	1740
Inlet pressure, continuous	barg	2-6	2-6
	psig	29-87	29-87
Max inlet pressure, peak <sup>1)</sup>	barg	15	15
	psig	218	218
<b>Speed</b>			
Min. speed	rpm	450	450
Min. speed, continuous	rpm	700	700
Max. speed	rpm	1250	1250
<b>Typical flow - Flow curves available in section 5</b>			
450 rpm at max. pressure	l/min	89.6	107.8
1250 rpm at max. pressure	l/min	294.4	354.2
450 rpm at max. pressure	gpm	23.3	28.0
1250 rpm at max. pressure	gpm	76.5	92.1
<b>Typical motor size</b>			
1000 rpm at max. pressure	kW 50 Hz	55	75
1200 rpm at max. pressure	hp 60 Hz	100	125
Torque at max. outlet pressure	Nm	549.6	661.3
	lbf-ft	405.6	448.0
Media temperature	°C	2-50	2-50
	°F	37-122	37-122
Ambient temperature	°C	0-50	0-50
	°F	32-122	32-122
Sound pressure level <sup>2)</sup>	dB(A)	82	87
Weight	kg	105	105
	lbs	231	231

<sup>1)</sup> 1% per minute peak, 10% per minute during start up.

<sup>2)</sup> Measurements according to EN ISO 3744: 2010 / dB(A) [L<sub>PA, 1m</sub>] values are calculated. Measured at max pressure and rpm for a motor pump unit.

5. Flow

The flow ( $Q_{eff}$ ) at various pressure ( $p_{max}$ ) can be calculated with the following equation:

$$Q_{eff} = Q_{(th)} - [(Q_{(th)} - Q(p_{max})) \times (p / p_{max})]$$

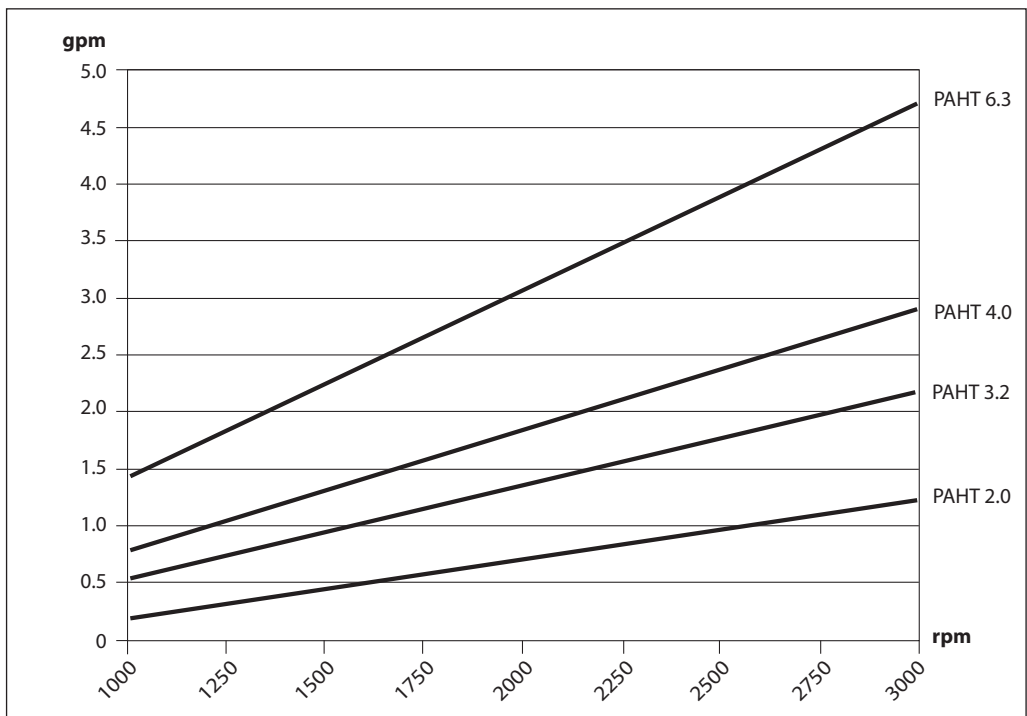
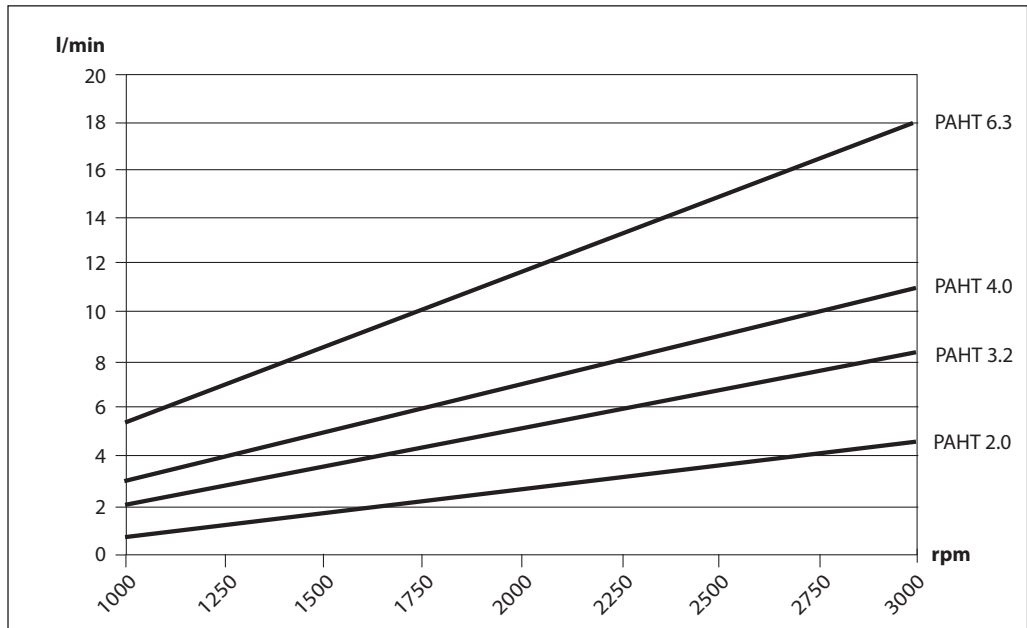
The theoretical flow can be calculated with the following equation:

$$Q_{(th)} = \frac{V \times n}{1000}$$

At zero pressure the true flow equals the theoretical flow  $Q_{(th)}$ .

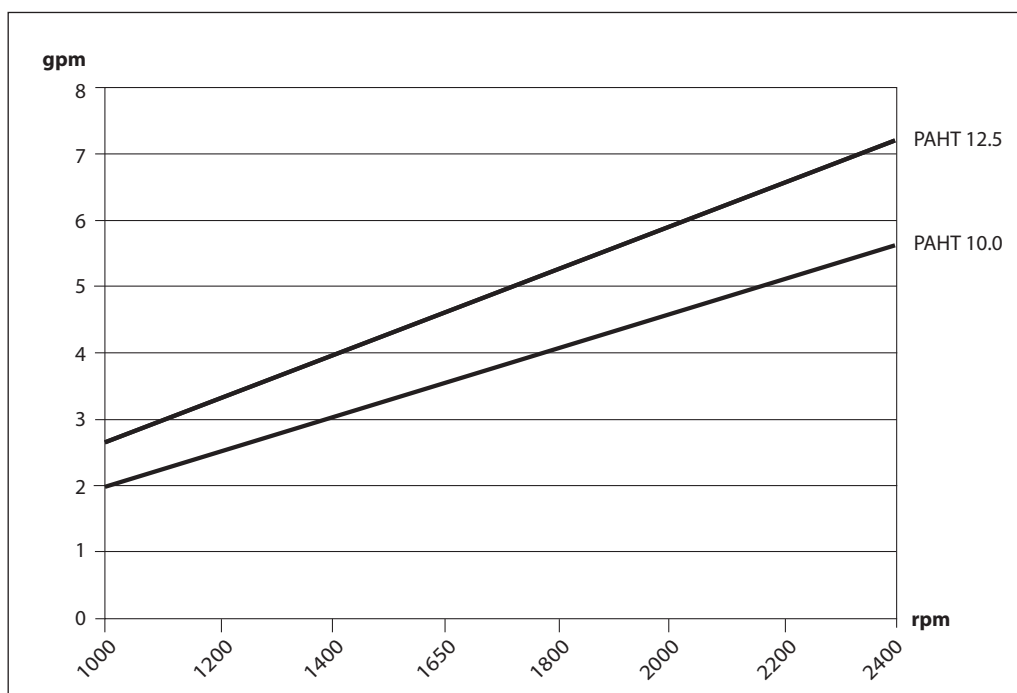
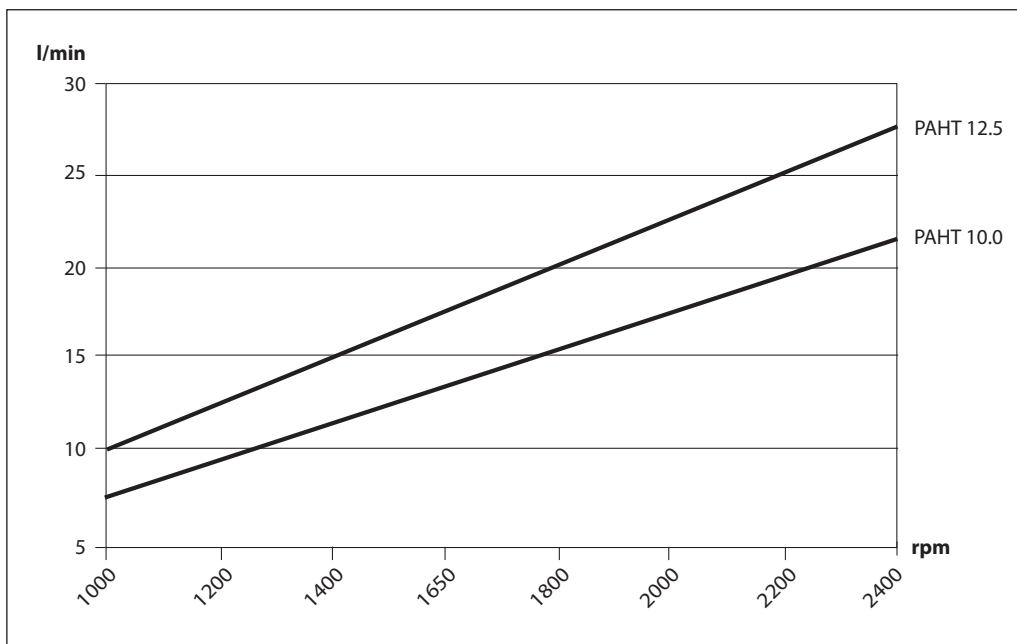
$Q_{(th)}$ :	Theoretical flow (l/min / gpm)
$Q(p_{max})$ :	Flows at max. pressure (l/min and gpm), see 4.1-4.4
$p_{max}$ :	Max pressure (barg / psig)
$p$ :	Pressure (barg / psig)
$V$ :	Displacement ( $cm^3 / rev.$ )
$n$ :	Motor speed (rpm)

5.1 PAHT 2-6.3 typical flow curves at max pressure

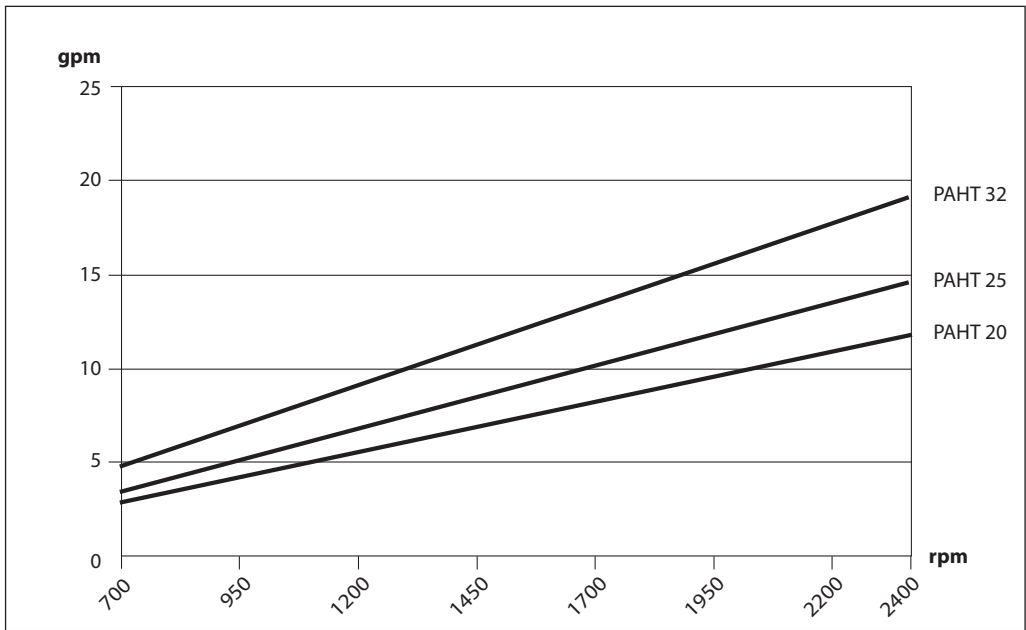
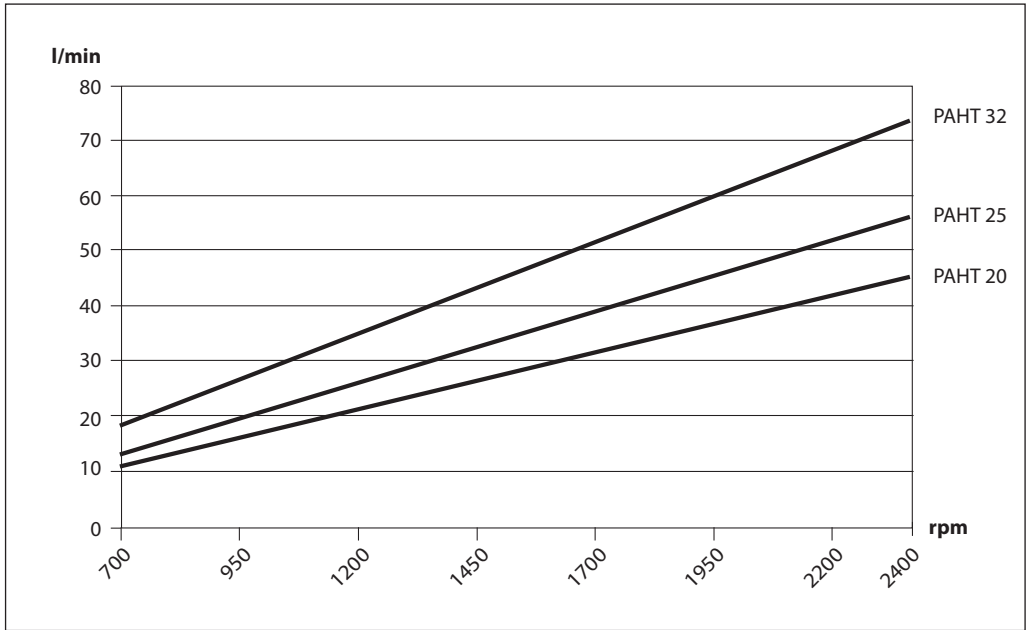




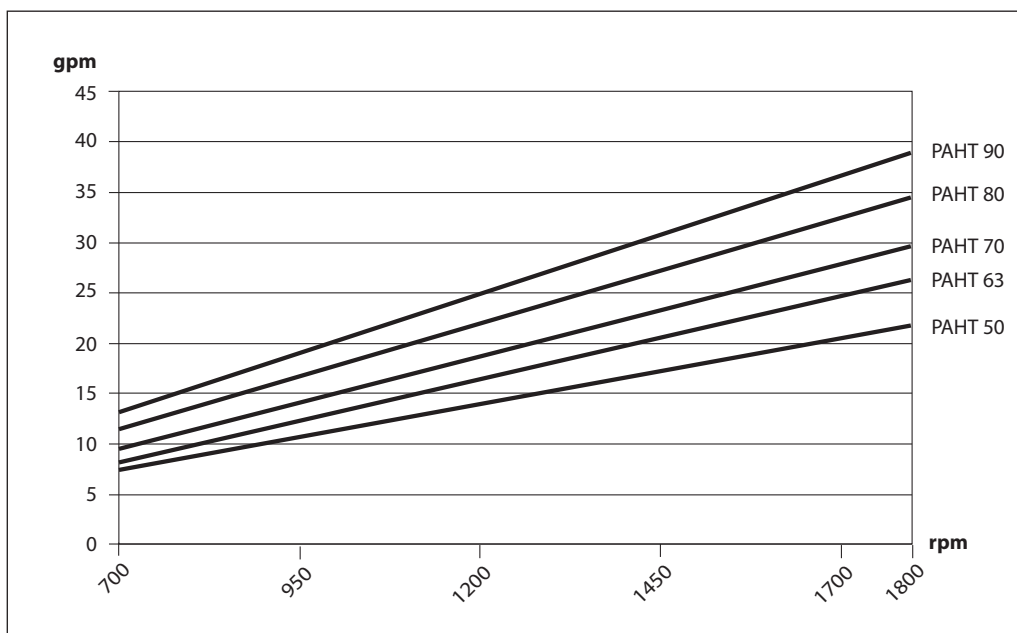
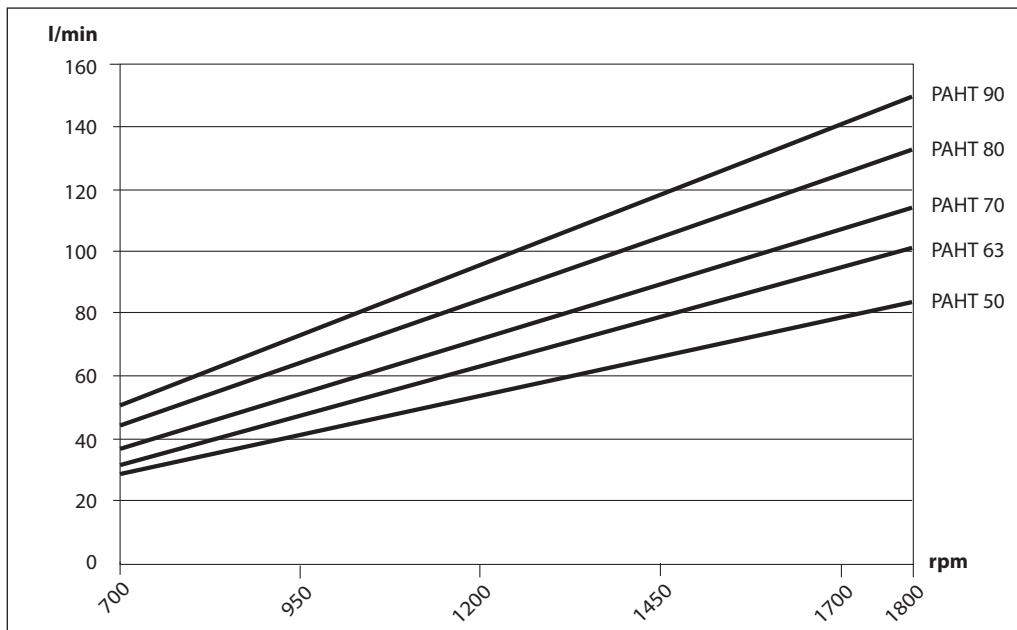
5.2 PAHT 10-12.5 typical flow curves at max pressure



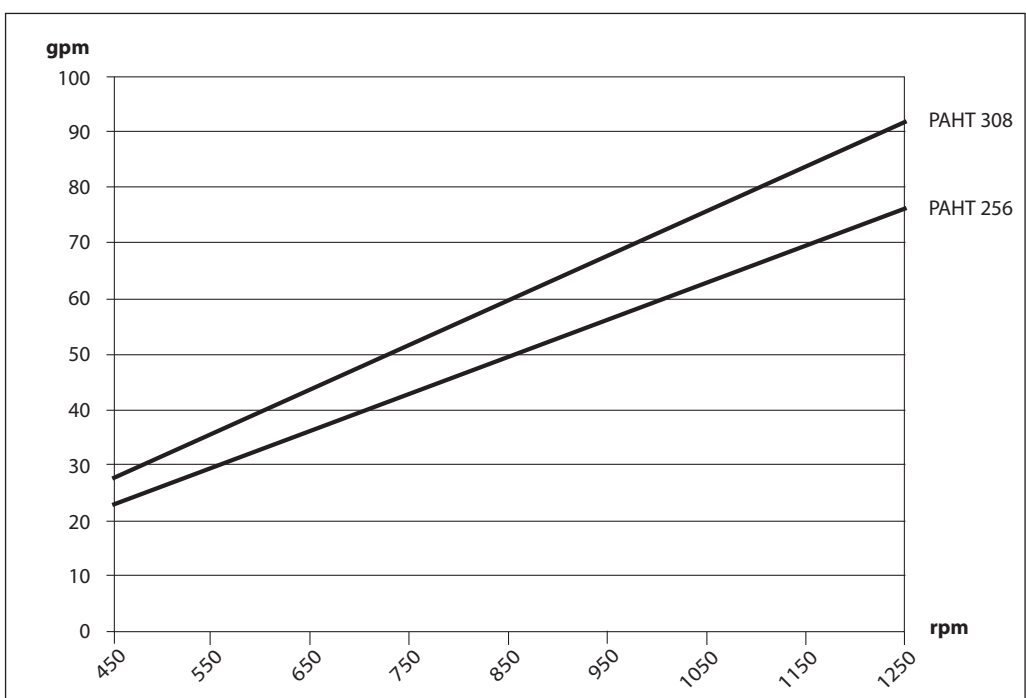
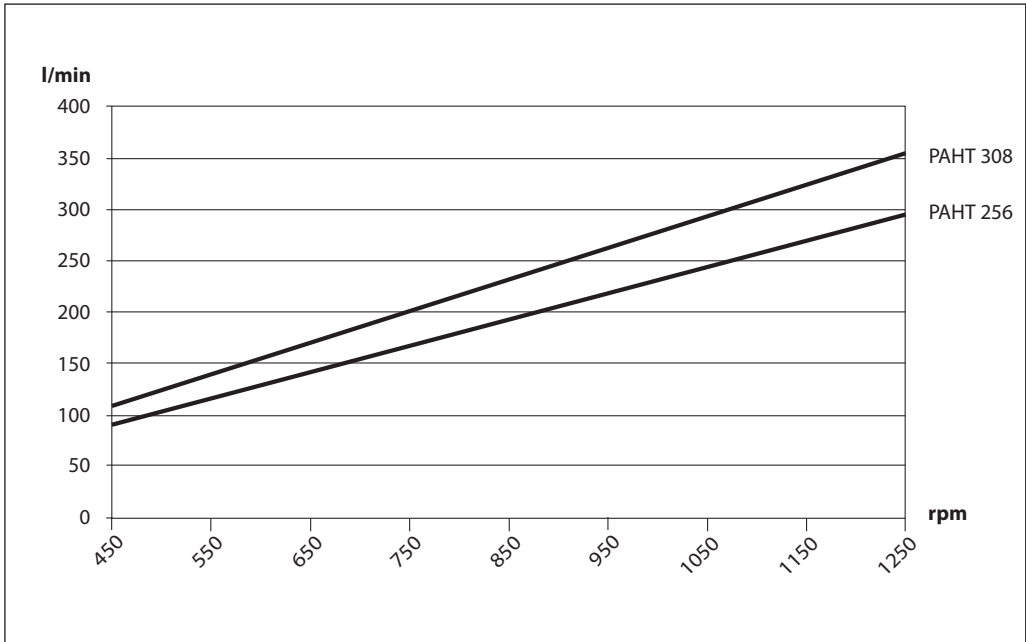
5.3 PAHT 20-32 typical flow curves at max pressure



5.4 PAHT 50-90 typical flow curves at max pressure



5.5 PAHT 256-308 typical flow curves at max pressure



**6. Motor requirements**

The required motor power can be calculated by using the following equation:

$$P = \frac{n \times V \times p}{600.000 \times \eta}$$

P: Power (kW)  
 M: Torque (Nm)  
 η: Mechanical efficiency  
 p: Pressure (barg)  
 n: Motor speed (rpm)  
 V: Displacement (cm<sup>3</sup>/rev.)

From the flow curves in item 5, you can determine the rpm of the pump at the desired flow.

The required torque is calculated as follows:

$$M = \frac{V \times p}{62.8 \times \eta}$$

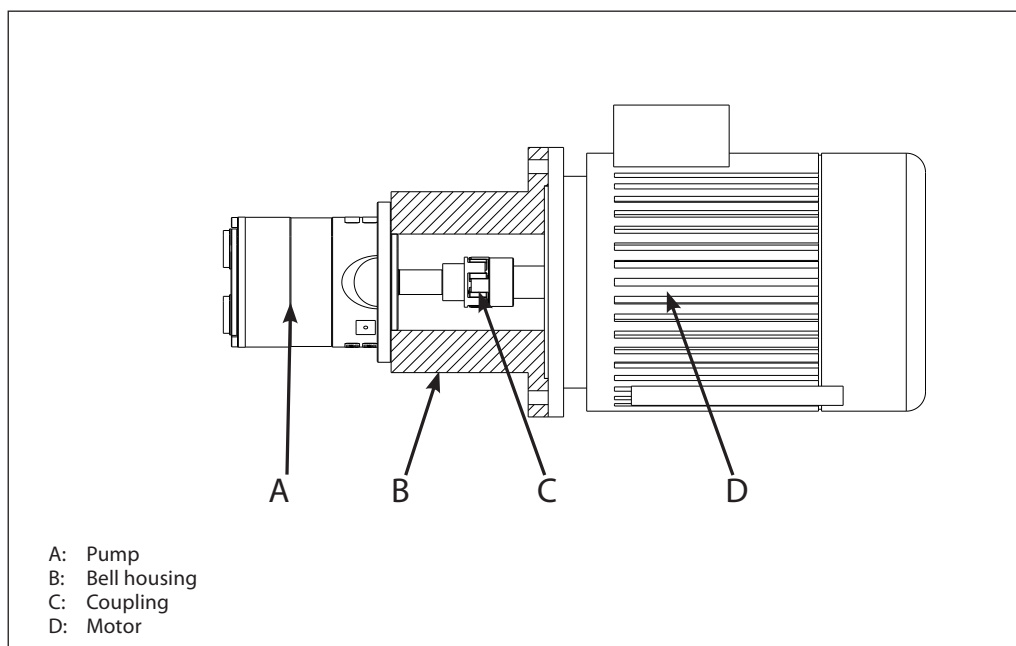
To determine the correct motor size, both the power and torque requirement must be verified.

The mechanical efficiency of the pump, at max pressure, is as follows:

PAHT 2, 3.2, 4, 6.3	0.8
PAHT 10, 12.5	0.9
PAHT 20, 25, 32, 50, 63, 70, 80, 90	0.95
PAHT 256, 308	0.95

7. Installation

See the figure below for instructions on how to mount the pump and connect it to an electric motor or combustion engine.



If alternative mounting is required, please contact your Danfoss sales representative for further information.

For more information on the importance of proper filtration, including explanation of filtration principles, definitions, and guidance on how to select the right filter for your pump, please consult our **Filtration** information and specifications (Danfoss document number 521B1009).

**Note: Do not add any axial or radial loads to the pump shaft.**

7.1 Filtration

**Proper filtration is crucial for the performance, maintenance and warranty of your pump.**

Protect your pump, and the application in which it is installed, by always ensuring that filtration specifications are met, and by always changing filter cartridges according to schedule.

Since water has very low viscosity, Danfoss PAHT pumps have been designed with very narrow clearances in order to control internal leakage rates and improve component performance. **To minimize wear on the pump, it is therefore essential to filter inlet water properly.**

**The main filter must have a filtration efficiency of 99.98% at 10 µm. We strongly recommend that you always use precision depth filter cartridges rated 10 µm abs.  $\beta_{10} \geq 5,000$ .**

Please note that **we do not recommend bag filters or string-wound filter cartridges**, which typically have only 50% filtration efficiency. This means that out of 100,000 particles that enter such filters, 50,000 particles pass right through them; compare this to precision depth filters that are 99.98% efficient, and only allow 20 of the same 100,000 particles to pass through.

7.2 Noise

Since the pump unit is mounted on a frame, the overall noise level can only be determined for a complete system. To minimize vibrations and noise throughout the system, it is therefore very important to mount the pump unit correctly on a frame with dampers and to use flexible hoses rather than metal pipes where possible.

The noise level is influenced by:

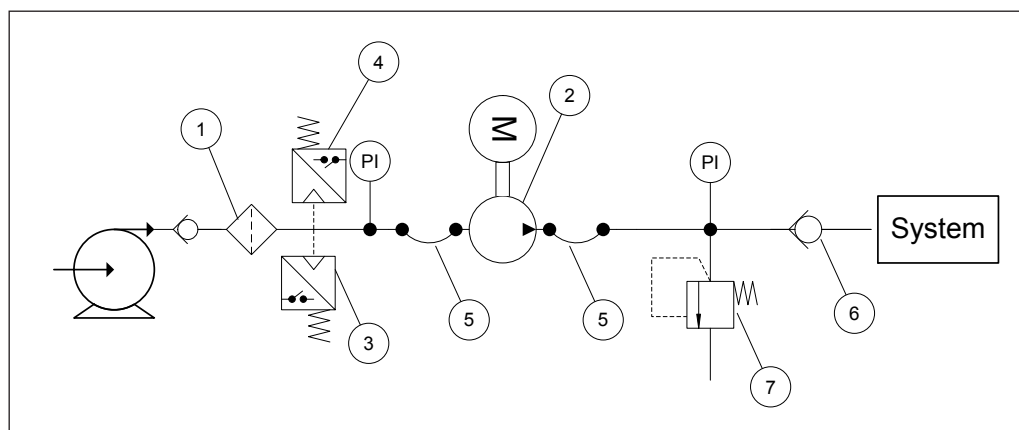
- **Pump speed:**  
High rpm makes more fluid/structure-borne pulsations/vibrations than low rpm.
- **Discharge pressure:**  
High pressures make more noise than low pressures.
- **Pump mounting:**  
Rigid mounting makes more noise than flexible mounting because of the structure-borne vibrations. Be sure to use dampers when mounting.
- **Connections to pump:**  
Pipes connected directly to the pump make more noise than flexible hoses because of structure-borne vibrations.
- **Variable frequency drives (VFDs):**  
Motors regulated by VFDs can produce more noise if the VFD does not have the right settings.

**7.3 Open-system design**

- A Inlet line:**  
Dimension the inlet line to obtain minimum pressure loss (large flow, minimum pipe length, minimum number of bends/connections, fittings with small pressure losses and restrictions).
- B Inlet filter:**  
Install the inlet filter (1) in front of the PAHT pump (2). Please consult the Danfoss filter data sheet for guidance on how to select the right filter.
- C Monitoring pressure switch:**  
Install the monitoring pressure switch (3) between the filter and the pump inlet. Set the minimum inlet pressure according to specifications described in item 4, technical data. The monitoring pressure switch stops the pump if inlet pressure is lower than the set minimum pressure.
- D Monitoring temperature switch:**  
Install the monitoring temperature switch (4) between the filter and the pump, on either side of the monitoring pressure switch. Set the temperature value according to technical data, item 4. The monitoring temperature switch stops the pump if inlet temperature is higher than the set value.

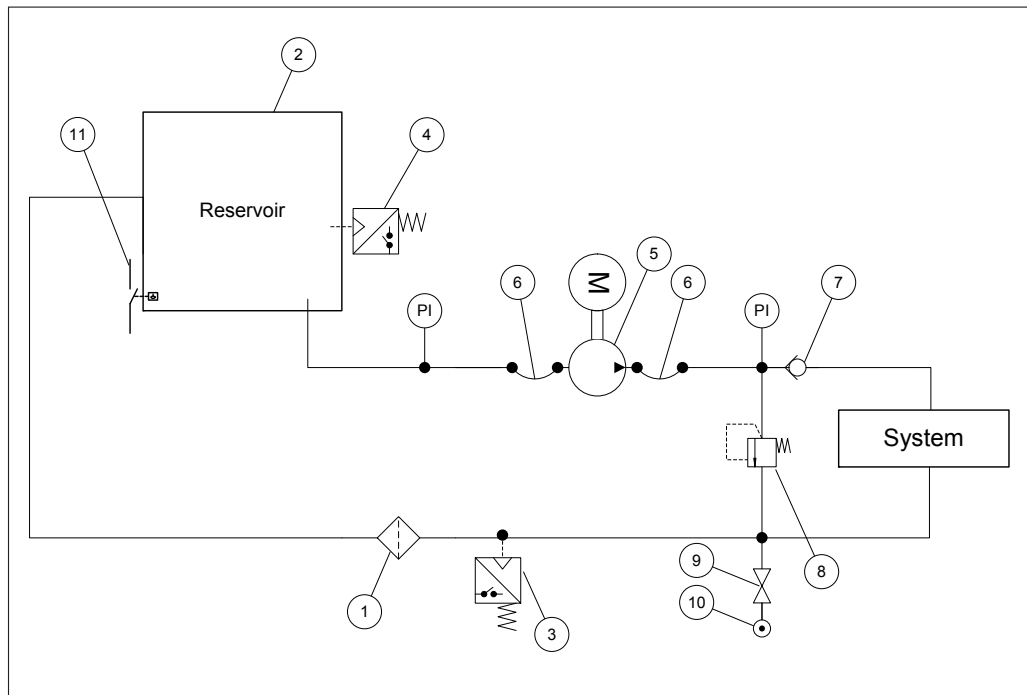
- E Hoses:**  
Always use flexible hoses (5) to minimize vibrations and noise.
- F Inlet pressure:**  
In order to eliminate the risk of cavitation and other pump damage, pump inlet pressure must be maintained according to specifications described in item 4, technical data.
- G Non-return valve (6):**  
Should be installed after the outlet to prevent pump backspin, which may ruin the pump.
- H Pressure relief valve:**  
As the Danfoss PAHT pump begins to create pressure and flow immediately after start-up regardless of any counter pressure, a pressure relief valve (7) should be installed to prevent system damage.

**Note:** If a non-return valve is mounted in the inlet line, a low-pressure relief valve is also required between the non-return valve and the pump to protect against high-pressure peaks.



**7.4 Closed-system design (not applicable for PAHT/PAHT G 256-308)**

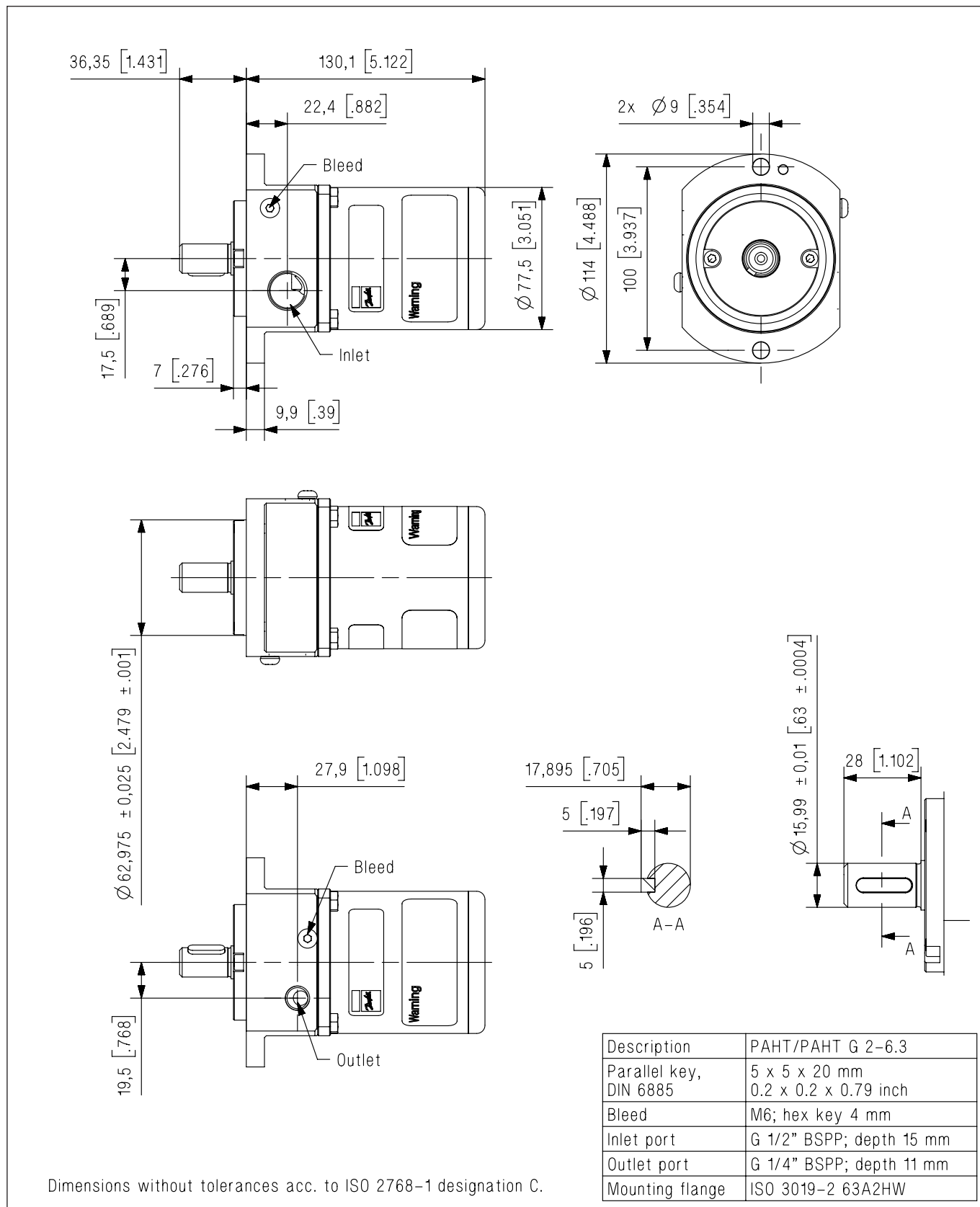
- A Inlet line:**  
Dimension the inlet line to obtain minimum pressure loss (large flow, minimum pipe length, minimum number of bends/connections, fittings with small pressure losses and restrictions).
- B Inlet filter:**  
Install the filter (1) in front of the tank (2). Please consult the Danfoss filter data sheet for guidance on how to select the right filter.
- C Monitoring pressure switch:**  
Install the monitoring pressure switch (3) in front of the filter (1). Set the maximum inlet pressure to 2 barg (29.0 psig). The monitoring pressure switch will stop the pump (5) if inlet pressure is higher than 2 barg (29.0 psig), indicating that the filter element must be changed.
- D Monitoring temperature switch:**  
Install the monitoring temperature switch (4) in the tank. Set the temperature value according to technical data, item 4. The monitoring temperature stops the pump if inlet temperature is higher than the set value.
- E Hoses:**  
Always use flexible hoses (6) to minimize vibrations and noise.
- F Inlet pressure:**  
In order to eliminate the risk of cavitation and other pump damage, pump inlet pressure must be maintained according to specifications described in item 4, technical data.
- G Non-return valve (7):**  
Should be installed after the outlet to prevent pump backspin, which may ruin the pump.
- H Pressure relief valve:**  
As the Danfoss PAHT pump begins to create pressure and flow immediately after start-up regardless of any counter pressure, a pressure relief valve (8) should be installed to prevent system damage.
- I System water filling:**  
To ensure proper filtration of new water (10) supplied to the system, always use the filling valve (9).
- J Minimum level switch:**  
Install the minimum level switch (11) above the outlet of the reservoir. The level switch must stop the pump if the water in the reservoir is below the switch, which indicates that the reservoir is empty.



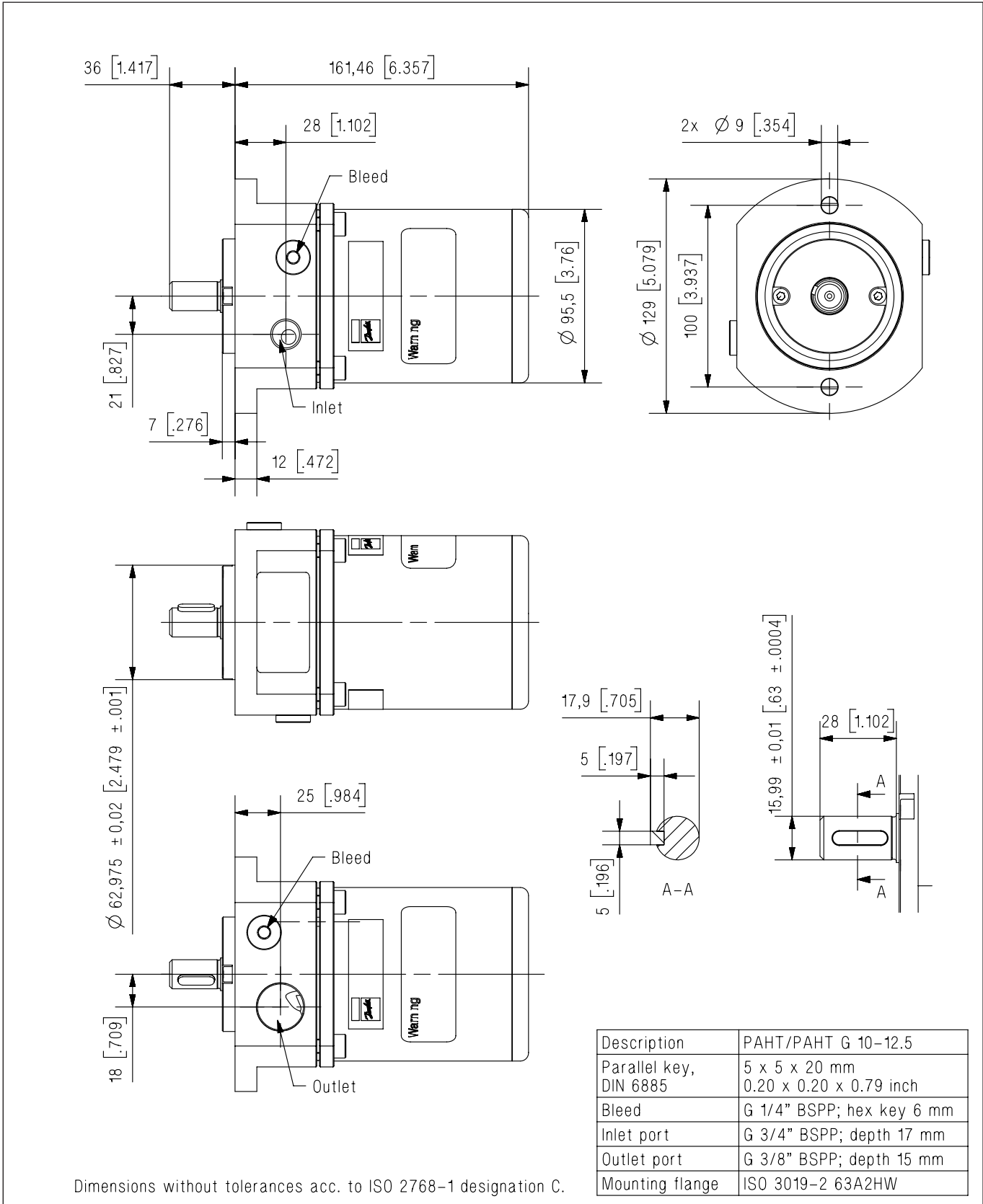


8. Dimensions and connections

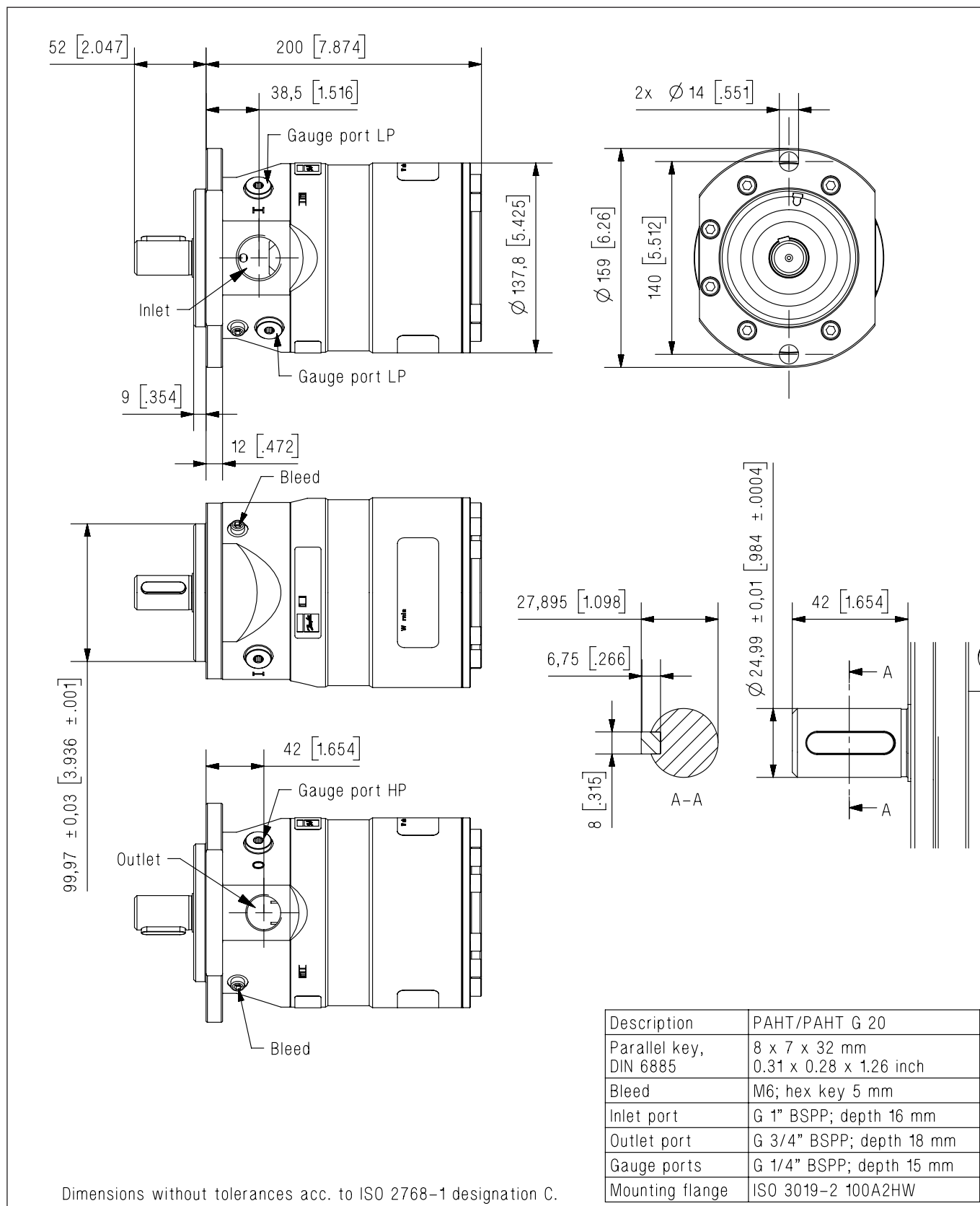
8.1 PAHT 2-6.3



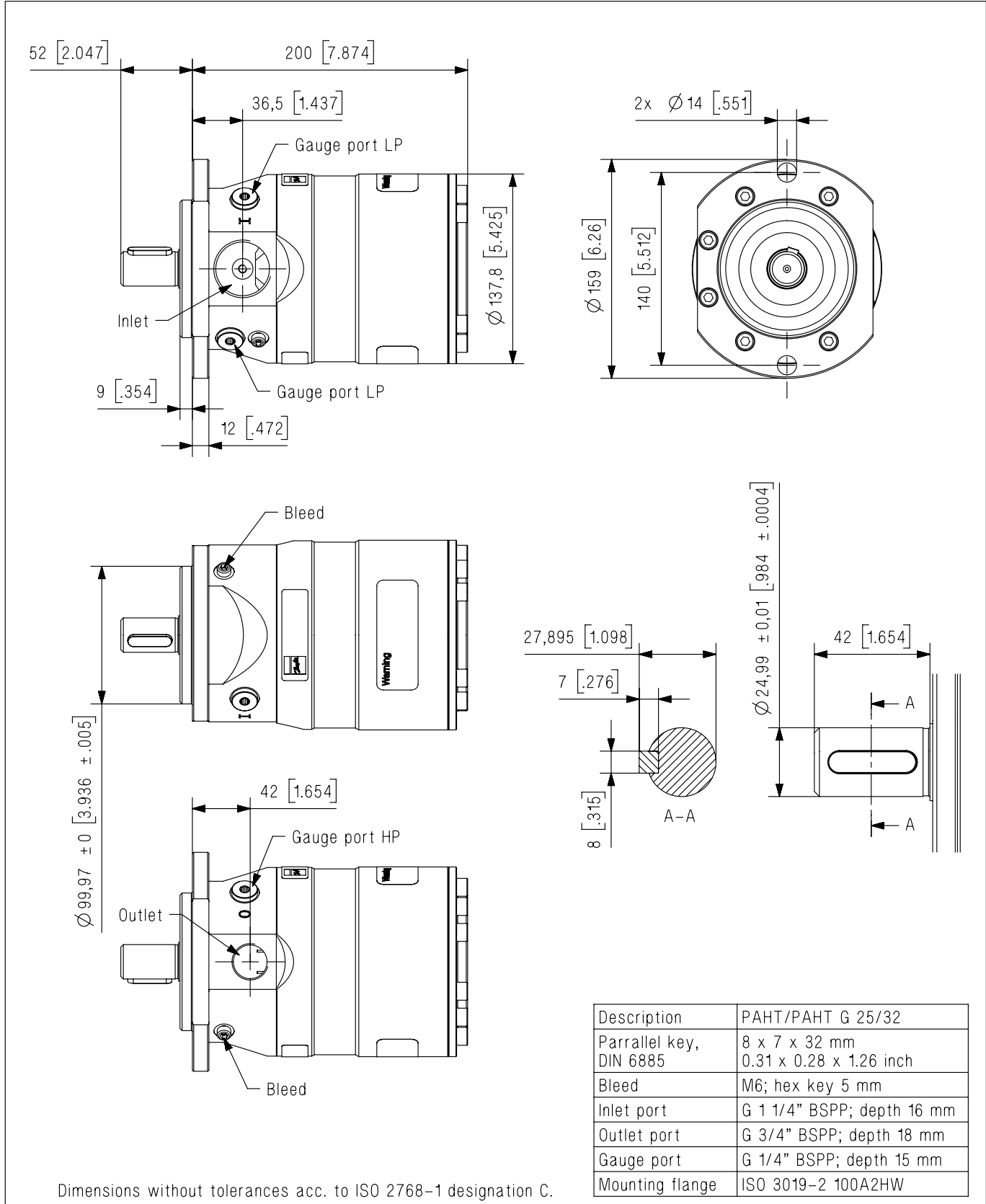
8.2 PAHT 10-12.5



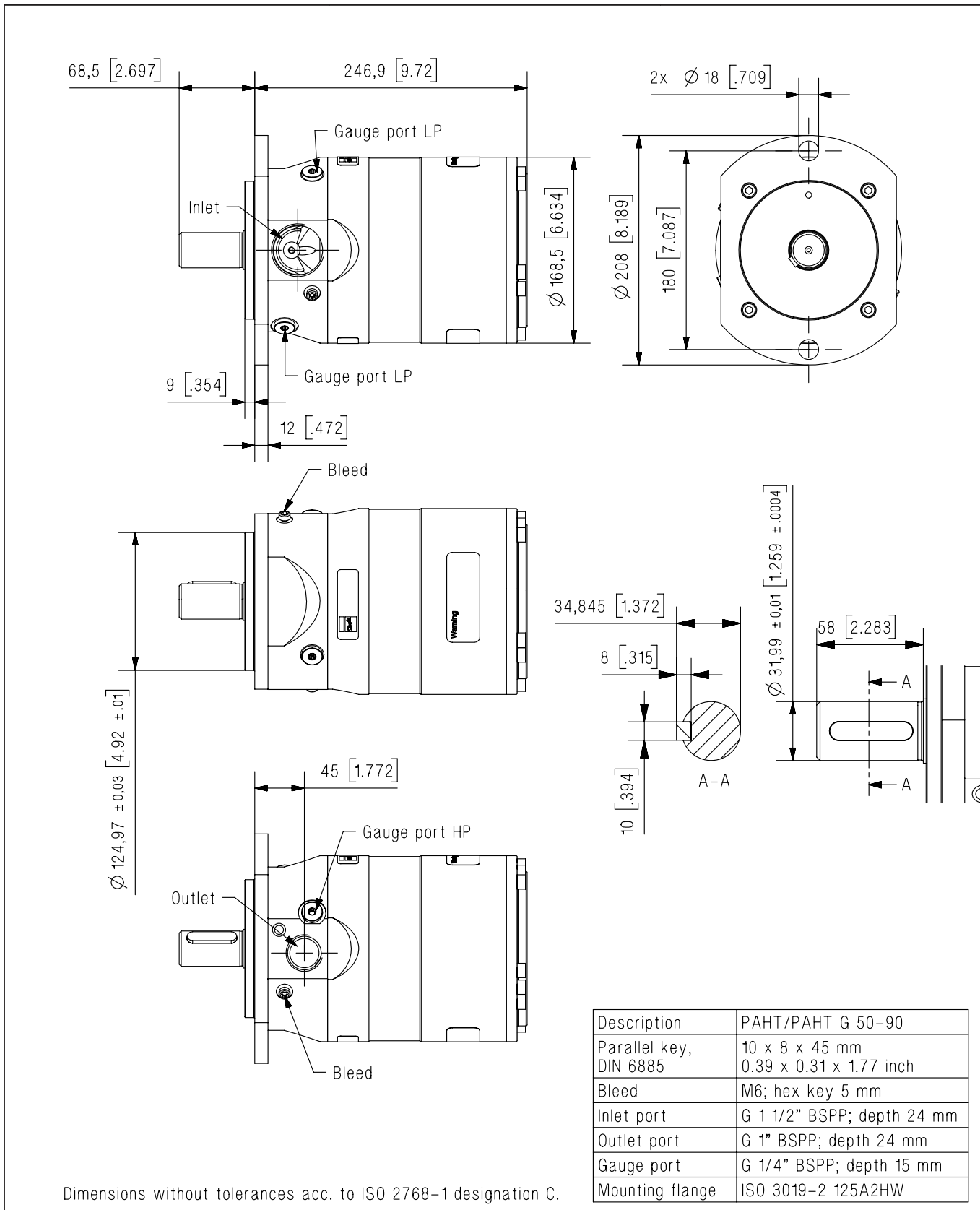
8.3 PAHT 20



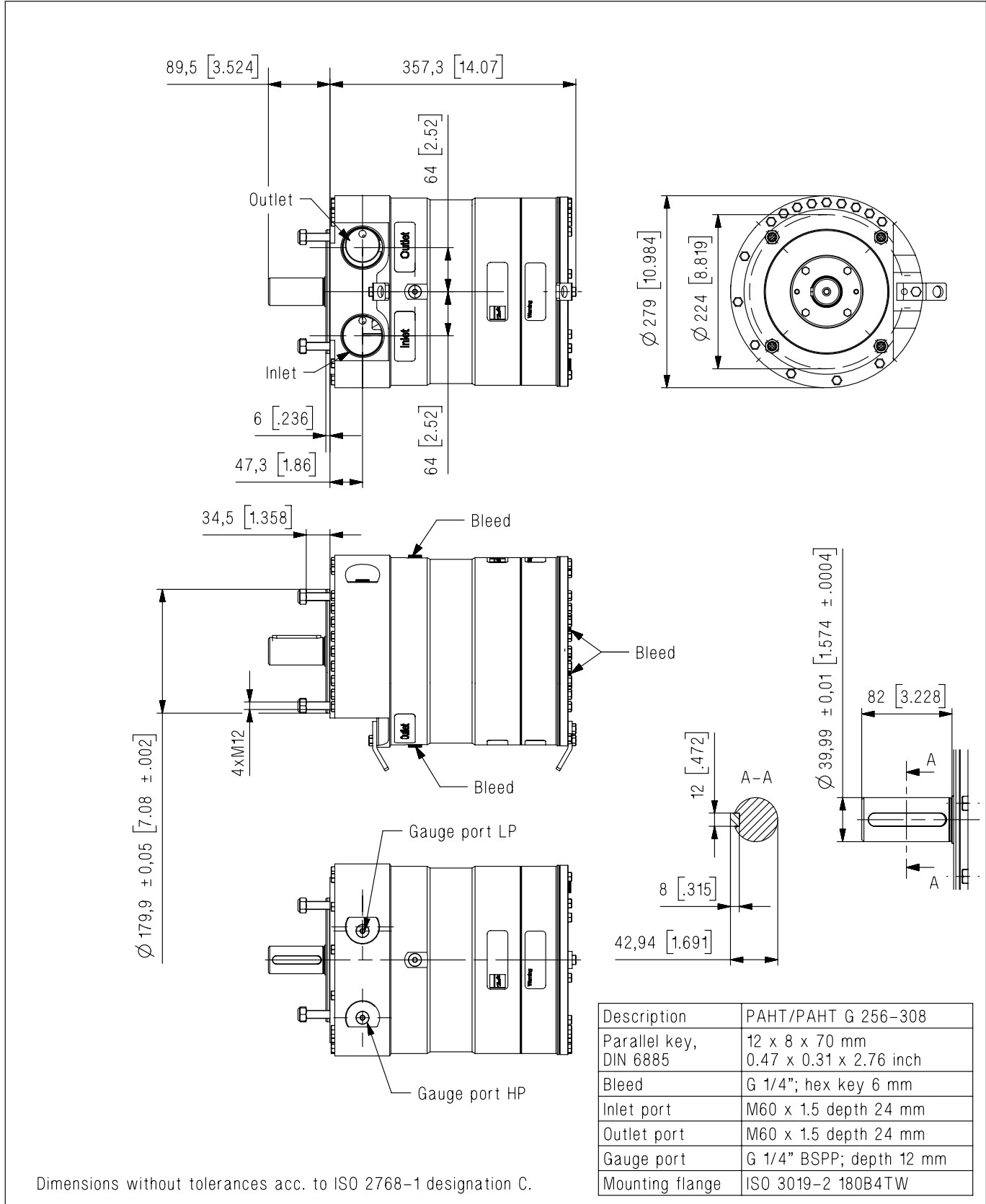
8.4 PAHT 25-32



8.5 PAHT 50-90



8.6 PAHT 256-308



**9. Service**

Danfoss PAHT pumps are designed for long periods of service-free operation to ensure low maintenance and life cycle costs. Provided that the pump is installed and operated according to Danfoss specifications, Danfoss PAHT pumps typically run 8,000 hours between service. However, the service schedule for your Danfoss PAHT pump may vary according to the application and other factors.

The life of a pump may be greatly shortened if Danfoss recommendations concerning system design and operation are not followed.

**In our experience, poor filtration is the number one cause of pump damage.**

Other factors that affect pump performance and lifetime include:

- running the pump at speeds outside specifications
- supplying the pump with water at temperatures higher than recommended
- running the pump at inlet pressures outside specifications
- running the pump at outlet pressures outside the specifications.

We recommend that you inspect your pump after 8,000 hours of operation even if it is running without any noticeable problems. Replace any worn parts if necessary, including pistons and shaft seals, to keep your pump running efficiently and to prevent breakdown. If worn parts are not replaced, then our guidelines recommend more frequent inspection.

**Danfoss A/S**  
High Pressure Pumps  
DK-6430 Nordborg  
Denmark

---

Danfoss can accept no responsibility for possible errors in catalogues, brochures and other printed material. Danfoss reserves the right to alter its products without notice. This also applies to products already on order provided that such alterations can be made without subsequential changes being necessary in specifications already agreed. All trademarks in this material are property of the respective companies. Danfoss and the Danfoss logotype are trademarks of Danfoss A/S. All rights reserved.

---