

Data sheet

APP S 674 pumps

APP S 674 3.0-3.5 / APP S 674 5.1-9.0

APP S 674 21-38



Table of Contents

1.	Introduction	3
2.	Benefits.....	3
3.	Application areas	3
4.	Technical data	4
4.1	APP S 674 3.0-3.5.....	4
4.2	APP S 674 5.1-9.0	5
4.3	APP S 674 21-38	6
5.	Flow	7
5.1	APP S 674 3.0-3.5 flow curves at max pressure.....	7
5.2	APP S 674 5.1-9.0 flow curves at max pressure	8
5.3	APP S 674 21-38 flow curves at max pressure	9
5.4	Flushing valve characteristics.....	10
5.4.1	APP S 674 3.0-3.5 integrated flushing valve curve	10
5.4.2	APP S 674 5.1-9.0 integrated flushing valve curve.....	10
5.4.3	APP S 674 21-38 integrated flushing valve curve.....	10
6.	Corrosion	11
7.	Motor requirements.....	11
8.	Installation.....	12
8.1	Filtration.....	12
8.2	Noise	12
8.2.1	APP S 674 3.0-3.5 pump mounted on motor 5.5 kW 4-pole / 11 kW 2-pole.....	13
8.2.2	APP S 674 5.1-9.0 pump mounted on motor 22 kW 4-pole	13
8.2.3	APP S 674 21-38 pump mounted on motor 75 kW 4-pole	13
8.3	Open system design	14
8.4	RO system with APP S 674 pump.....	14
9.	Dimensions and connections	15
9.1	APP S 674 3.0-3.5.....	15
9.2	APP S 674 5.1-9.0	16
9.3	APP S 674 21-38	17
10.	Service.....	18
10.1	Warranty.....	18
10.2	Maintenance.....	18

Our CLP RO pumps have changed name as listed below:

CLP674 050-058 RO will now be called APP S 674 3.0-3.5

CLP674 085-152 RO will now be called APP S 674 5.1-9.0

CLP674 365-640 RO will now be called APP S 674 21-38

This is ONLY a name change.

1. Introduction

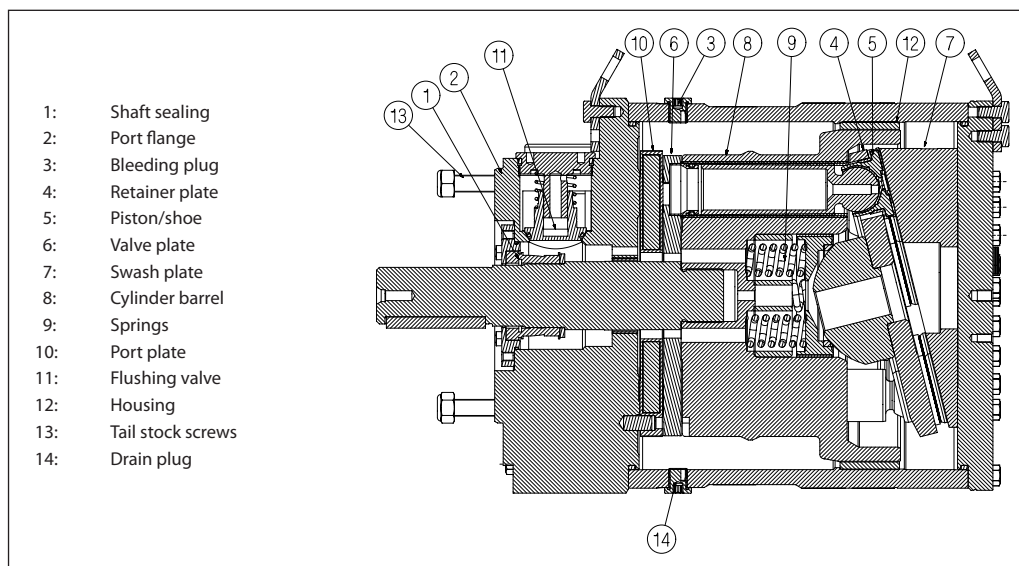
APP S 674 pumps are made according to API 674, 3rd edition. The pump is designed to supply low viscosity and corrosive fluids under high pressure, e.g. in seawater reverse osmosis applications.

Danfoss APP S 674 pumps are positive displacement pumps, with axial pistons, that move a fixed amount of water in each cycle. Flow is proportional to the number of pump shaft revolutions (rpm). Unlike centrifugal pumps, they produce the same flow at a given speed no matter what the discharge pressure.

The pumps are supplied with an integrated flushing valve that allows the saltwater to flow from inlet to the outlet, when the pump is not running.

The pumps are made for flange connections.

All parts included in the pumps are designed to provide long service life, i.e. long service life with a constantly high efficiency and minimum service required.



2. Benefits

- **Zero risk of lubricant contamination:**
Oil lubricants are replaced with the pumped medium, seawater or brackish water, so SWRO and BWRO applications are completely free of any contamination risk from the pump.
- **Low maintenance costs:**
Efficient design and all Super Duplex stainless steel construction ensure exceptionally long life. When Danfoss specifications are met, service intervals up to 8,000 hours can be expected.
- **Low energy costs:**
The highly efficient axial piston design provides the lowest power consumption of any comparable pump on the market.
- **Easy configuration:**
 - The lightest and most compact design available. Pump can be installed vertically and horizontally.
 - No pulsation dampeners necessary due to extremely "low pressure" pulsation.
 - Powered direct by electric motor or combustion engine.
 - Pump can be delivered with all types of flange connections.
- **Certified quality:**
 - Pump is designed according to API 674, 3rd edition.
 - Super Duplex stainless steel M-630 from NORSOK M-650 certified foundries.
 - Full traceability and material certificates on pressure containing parts.
 - Pump available as ATEX certified, category 2, zone 1 or category 3, zone 2.

3. Application areas

The pumps are used in RO systems for production of fresh water. This water can be used for drinking or as technical water used for NOx reduction in gas turbines or as water used for injection into wells.

APP S 674 pumps are not only applicable for offshore applications but can also be used on

refineries or in processes where API 674 is required.

As the APP S 674 pumps are made in Super Duplex stainless steel, it makes them suitable for rough offshore applications. Apart from that the small and compact pumps are a perfect choice for applications where component size really matters.

4. Technical data
4.1 APP S 674 3.0-3.5

Pumps size		APP S 674 3.0	APP S 674 3.5
Code number		On request	On request
Geometric displacement	cm ³ /rpm	17.7	20.5
	in ³ /rpm	1.08	1.25
Pressure			
Outlet min. pressure, continuous ¹⁾	barg	20	20
	psig	290	290
Outlet max. pressure, MAWP	barg	80	80
	psig	1,160	1,160
Inlet operating pressure ²⁾	barg	0.5-10	0.5-10
	psig	7.25-145	7.25-145
Inlet design pressure	barg	15	15
	psig	217	217
Speed			
Min. speed, continuous	rpm	700	700
Max. speed, continuous ³⁾	rpm	3,000	3,000
Typical Flow			
1,500 rpm at max. pressure	m ³ /h	1.5	1.75
3,000 rpm at max. pressure	m ³ /h	3.0	3.5
1,800 rpm at max. pressure	gpm	7.9	9.3
3,000 rpm at max. pressure	gpm	13.3	15.4
Typical motor size			
1,500 rpm at max. pressure	kW	4.0	5.5
1,800 rpm at max. pressure	hp	7.5	7.5
Torque at max outlet pressure			
	Nm	25.6	29.7
	lbf-ft	18.9	21.9
Media temperatur ⁴⁾	°C	2-50	2-50
	°F	36-122	36-122
Ambient temperatur	°C	0-50	0-50
	°F	32-122	32-122
Weight	kg	15	15
	lb	33	33

¹⁾ For lower pressure, please contact Danfoss High Pressure Pumps

²⁾ If inlet pressure exceeds inlet operating pressure, Danfoss recommends inspection of the pump and shaft seal

³⁾ For higher speed, please contact Danfoss High Pressure Pumps

⁴⁾ Dependent on the NaCl concentration

4.2 APP S 674 5.1-9.0

Pumps size		APP S 674 5.1	APP S 674 6.5	APP S 674 7.2	APP S 674 8.2	APP S 674 9.0
Code number		On request	On request	On request	On request	On request
Geometric displacement	cm ³ /rpm	50	63	70	80	90
	in ³ /rpm	3.05	3.84	4.27	4.88	5.49
Pressure						
Outlet min. pressure, continuous ¹⁾	barg	30	30	30	30	30
	psig	435	435	435	435	435
Outlet max. pressure, MAWP	barg	80	80	80	80	80
	psig	1,160	1,160	1,160	1,160	1,160
Inlet operating pressure ²⁾	barg	2.0-10	2.0-10	2.0-10	2.0-10	2.0-10
	psig	29-145	29-145	29-145	29-145	29-145
Inlet design pressure	barg	15	15	15	15	15
	psig	217	217	217	217	217
Speed						
Min. speed, continuous	rpm	700	700	700	700	700
Max. speed, continuous	rpm	1,800	1,800	1,800	1,800	1,800
Typical Flow						
1,000 rpm at max. pressure	m ³ /h	2.7	3.4	3.8	4.5	5.1
1,800 rpm at max. pressure	m ³ /h	5.0	6.4	7.2	8.3	9.3
1,200 rpm at max. pressure	gpm	14.3	18.0	20.3	23.9	27.0
1,800 rpm at max. pressure	gpm	22.0	28.2	31.7	36.5	41.0
Typical motor size						
1,500 rpm at max. pressure	kW	15.0	15.0	18.5	18.5	22.0
1,200 rpm at max. pressure	hp	15.0	20.0	20.0	20.0	25.0
Torque at max. outlet pressure						
Torque at max. outlet pressure	Nm	18.3	22.9	22.9	25.6	29.7
	lbf-ft	13.5	16.9	16.9	18.9	21.9
Media temperatur ³⁾	°C	2-50	2-50	2-50	2-50	2-50
	°F	36-122	36-122	36-122	36-122	36-122
Ambient temperatur	°C	0-50	0-50	0-50	0-50	0-50
	°F	32-122	32-122	32-122	32-122	32-122
Weight	kg	40	40	40	40	40
	lb	88	88	88	88	88

¹⁾ For lower pressure, please contact Danfoss High Pressure Pumps

²⁾ If inlet pressure exceeds inlet operating pressure, Danfoss recommends inspection of the pump and shaft seal

³⁾ Dependent on the NaCl concentration

4.3 APP S 674 21-38

Pumps size		APP S 674 21	APP S 674 24	APP S 674 26	APP S 674 30	APP S 674 33	APP S 674 38
Code number		On request	On request	On request	On request	On request	On request
Geometric displacement	cm ³ /rpm	256	282	308	362	389	444
	in ³ /rpm	15.6	17.2	18.8	22.1	23.7	27.1
Pressure							
Outlet min. pressure, continuous ¹⁾	barg	30	30	30	30	30	30
	psig	435	435	435	435	435	435
Outlet max. pressure, MAWP	barg	80	80	80	80	80	80
	psig	1,160	1,160	1,160	1,160	1,160	1,160
Inlet operating pressure ²⁾	barg	2.0-10	2.0-10	2.0-10	2.0-10	2.0-10	2.0-10
	psig	29-145	29-145	29-145	29-145	29-145	29-145
Inlet design pressure	barg	15	15	15	15	15	15
	psig	217	217	217	217	217	217
Speed							
Min. speed, continuous	rpm	700	700	700	700	700	700
Max. speed, continuous	rpm	1,500	1,500	1,500	1,500	1,500	1,500
Typical Flow							
700 rpm at max. pressure	m ³ /h	10	11	12	14	15.2	17.5
1,500 rpm at max. pressure	m ³ /h	21.9	24.2	26.7	31.3	33.3	38.4
700 rpm at max. pressure	gpm	44	48.4	52.8	61.6	67	77
1,500 rpm at max. pressure	gpm	96.4	106.5	117.6	138	146.6	169
Typical motor size							
1,000 rpm at max. pressure	kW	45	45	55	55	75	75
1,000 rpm at max. pressure	hp	60	60	75	75	100	100
Torque at max. outlet pressure							
	Nm	371	413	451	530	556	639
	lbf-ft	273.6	304.6	332.6	391	410	471.3
Media temperatur ³⁾	°C	2-50	2-50	2-50	2-50	2-50	2-50
	°F	36-122	36-122	36-122	36-122	36-122	36-122
Ambient temperatur	°C	0-50	0-50	0-50	0-50	0-50	0-50
	°F	32-122	32-122	32-122	32-122	32-122	32-122
Weight	kg	118	118	118	118	118	118
	lb	260	260	260	260	260	260

¹⁾ For lower pressure, please contact Danfoss High Pressure Pumps

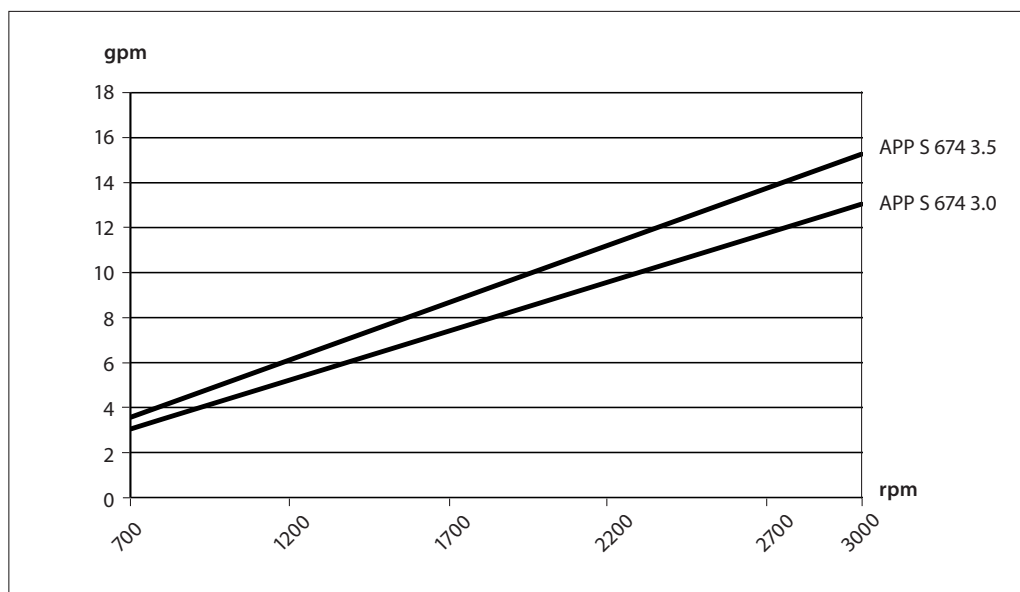
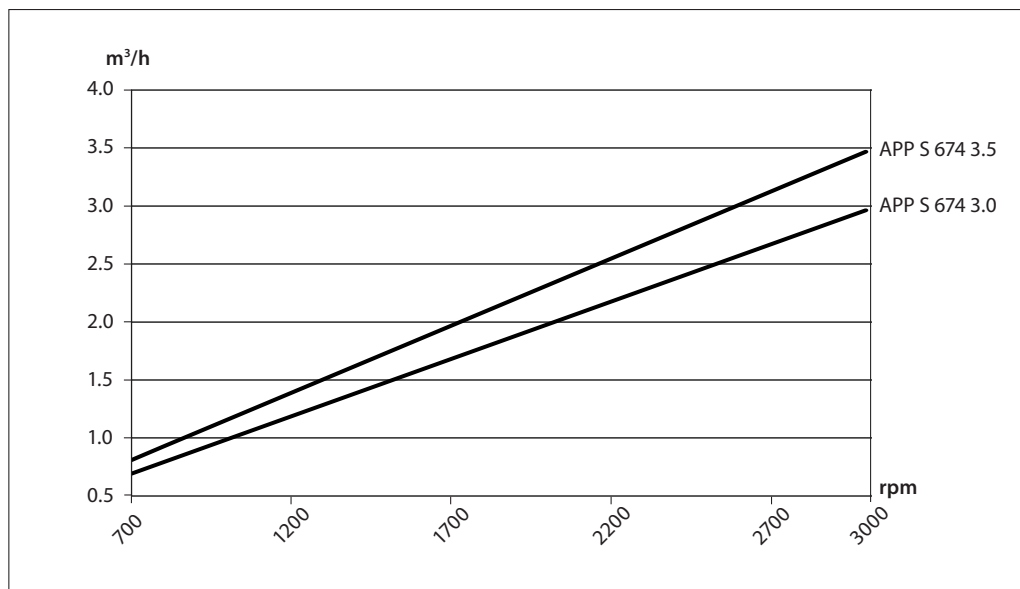
²⁾ If inlet pressure exceeds inlet operating pressure, Danfoss recommends inspection of the pump and shaft seal

³⁾ Dependent on the NaCl concentration

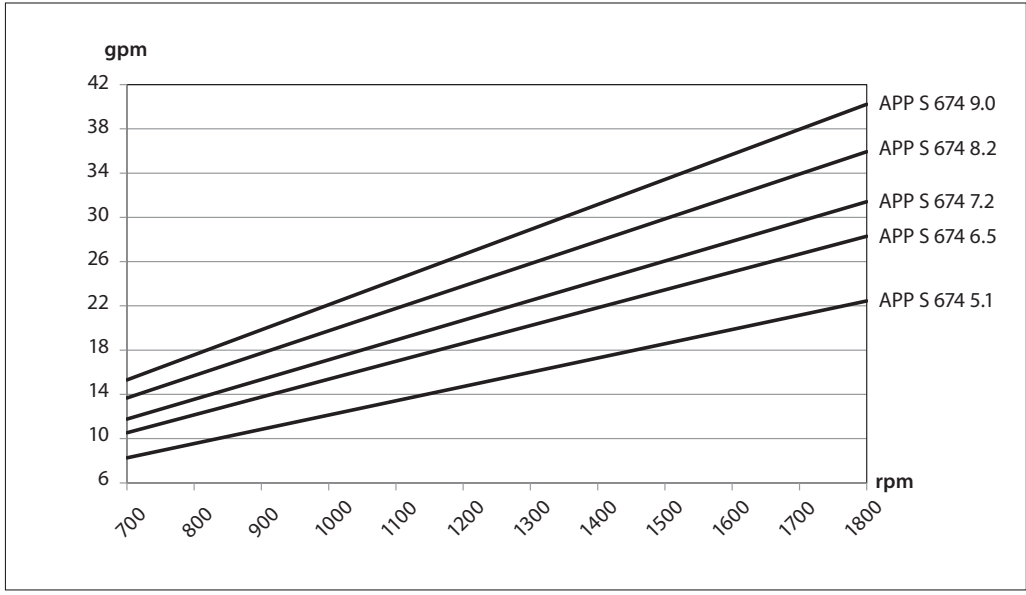
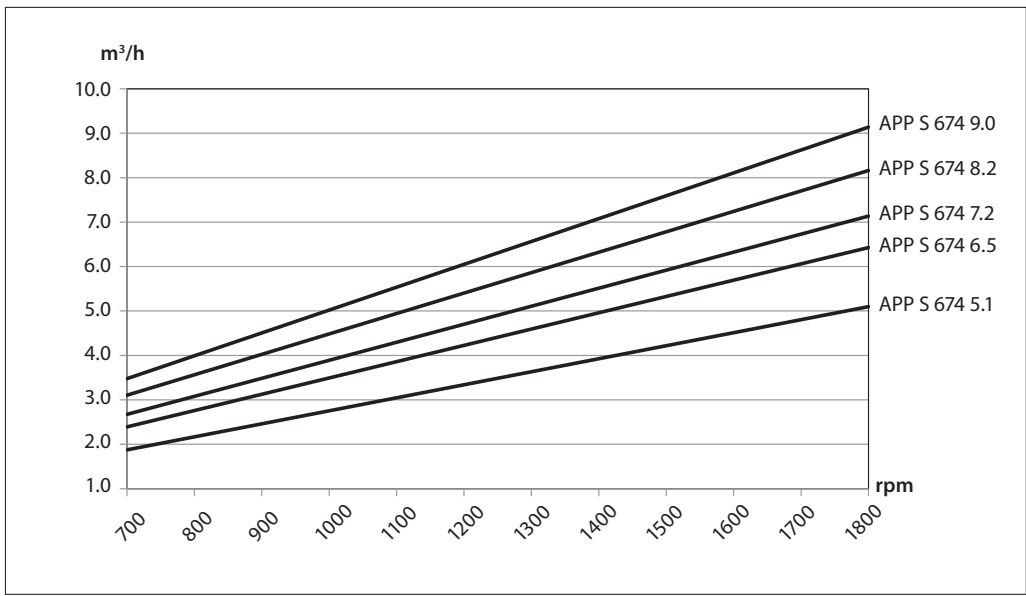
5. Flow

If the required flow and rotation speed (rpm) of the pump are known, the below diagram can be used to select the pump that fits the application best.

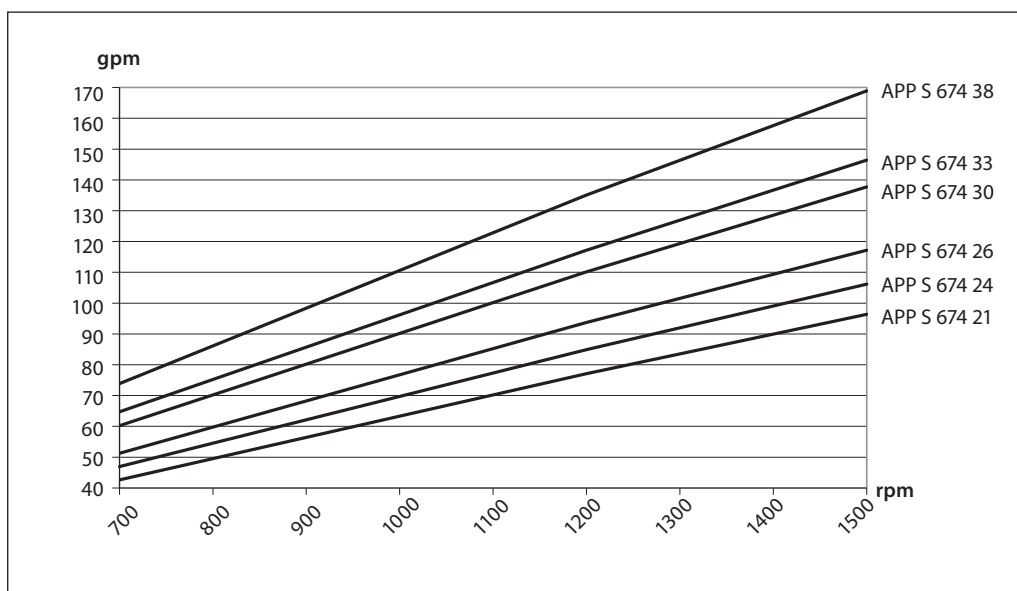
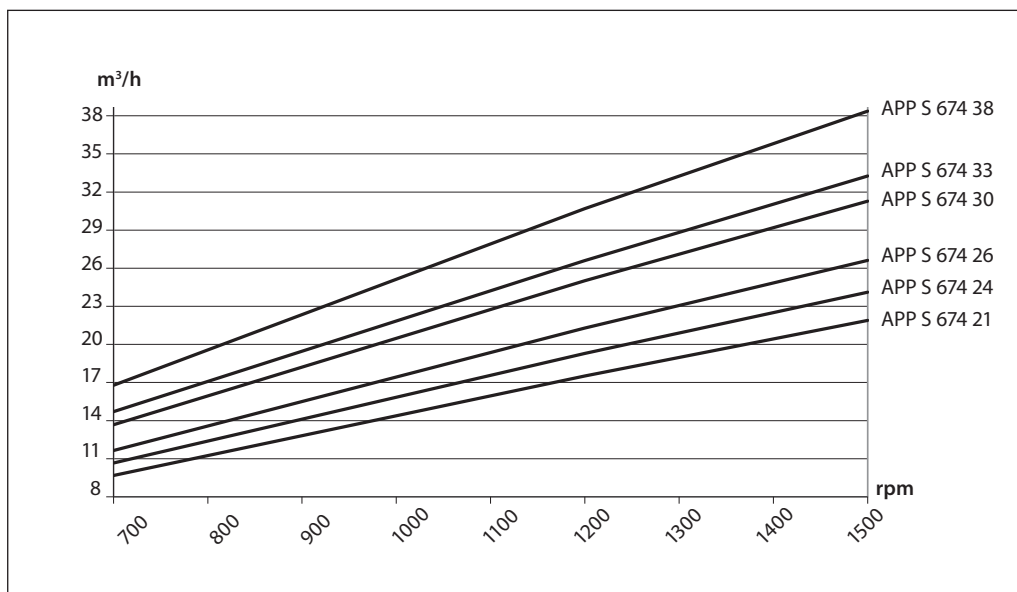
5.1 APP S 674 3.0-3.5 flow curves at max. pressure



5.2 APP S 674 5.1-9.0 flow curves at max. pressure



5.3 APP S 674 21-38 flow curves at max. pressure



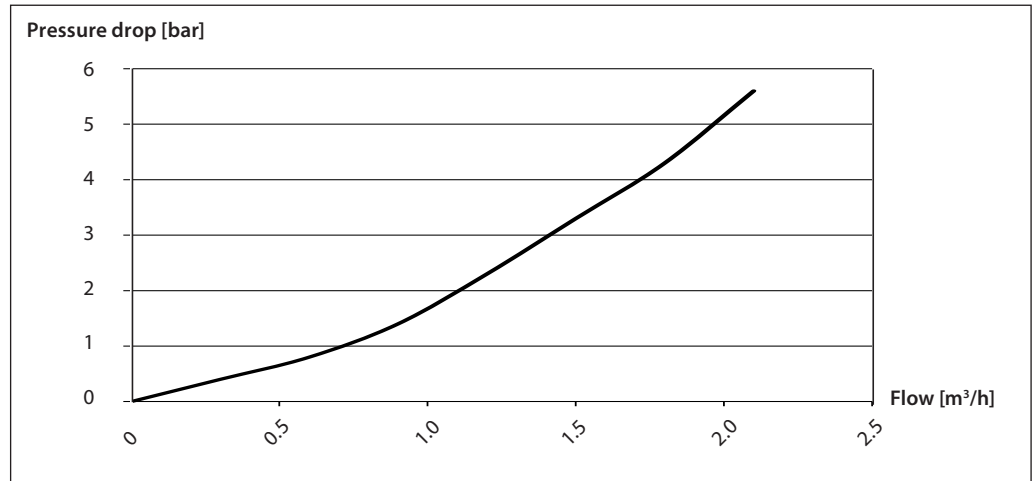
The curves above also show that the flow can be changed by changing the rotation speed of the pump. The flow/rpm ratio is constant, and the "required " flow can be obtained by changing the rotation speed to a corresponding value. Thus, the required rpm can be determined as:

$$\text{Required rpm} = \frac{\text{Required flow} \times \text{Typical rpm}}{\text{Typical flow}}$$

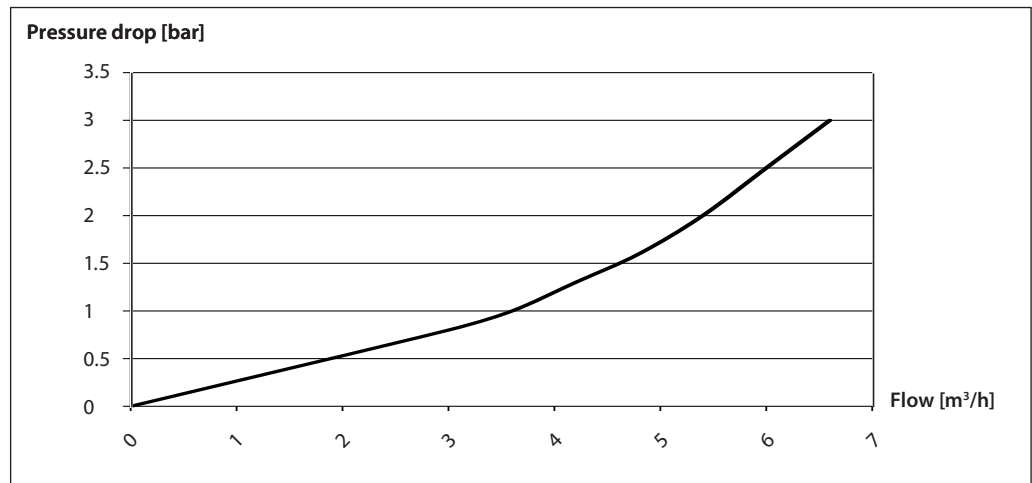
5.4 Flushing valve characteristics

The diagrams show the flow characteristics of the integrated flushing valve that allows the water to flow from inlet to outlet when the pump is not running.

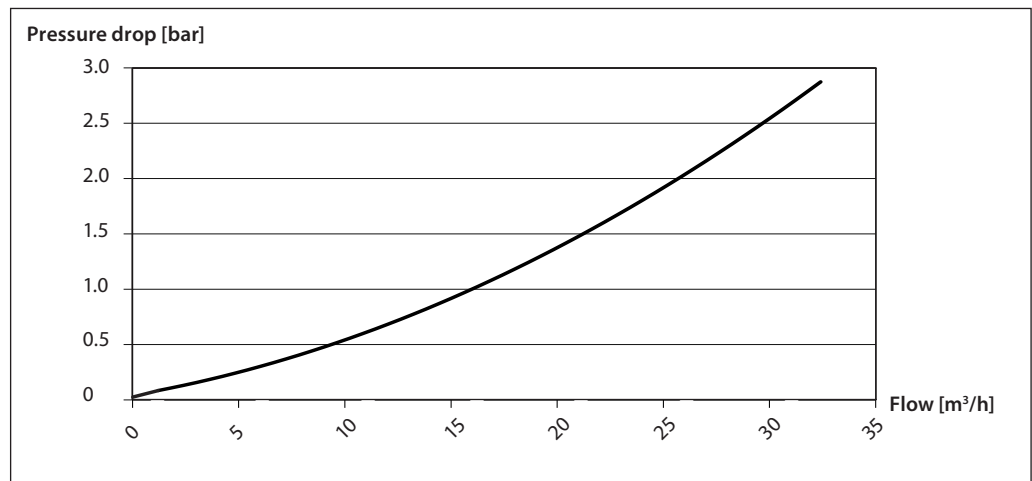
5.4.1 APP S 674 3.0-3.5 integrated flushing valve curve



5.4.2 APP S 674 5.1-9.0 integrated flushing valve curve



5.4.3 APP S 674 21-38 integrated flushing valve curve

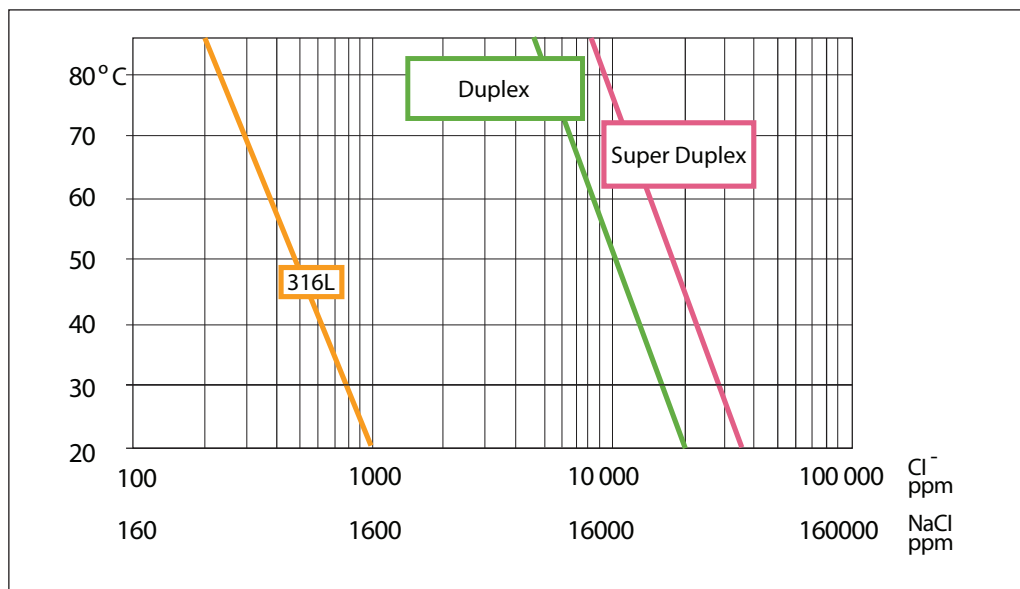


6. Corrosion

The chart below illustrates the corrosive resistance of different types of stainless steel related to NaCl concentration and temperature.

If the water pump is operated at high salinity, always flush the water pump with fresh water at operation stop, in order to minimize the risk of crevice corrosion.

All wetted parts of the APP S 674 pumps are made of Super Duplex.



7. Motor requirements

The power requirements can be determined using one of the following guiding equations:

$$\text{Required power} = \frac{\text{l/min} \times \text{bar}}{\text{Calc. factor}} \text{ [kW]} \text{ or } \frac{16.7 \times \text{m}^3/\text{h} \times \text{bar}}{\text{Calc. factor}} \text{ [kW]} \text{ or } \frac{0.26 \times \text{gpm} \times \text{psi}}{\text{Calc. factor}} \times 1.34 \text{ [hp]}$$

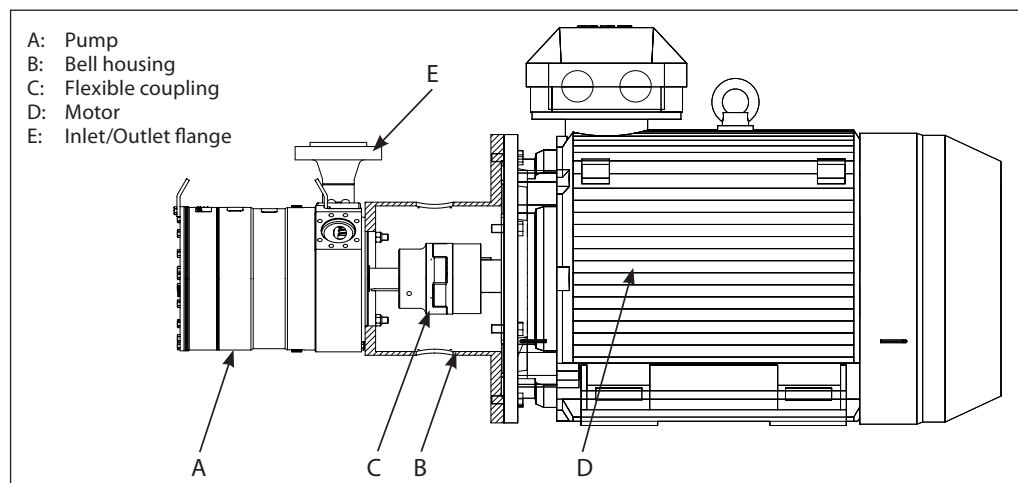
1 hp = 0.75 kW	1 kW = 1.34 hp
1 gpm = 3.79 l/min	1 l/min = 0.26 gpm
1 m ³ /h = 4.40 gpm	1 gpm = 0.23 m ³ /h

APP S 674 3.0-3.5	-	Calc. factor: 485
APP S 674 5.1-9.0	-	Calc. factor: 485
APP S 674 21-38	-	Calc. factor: 504

Both power and torque requirement must be verified in order to determine the correct motor size when the motor does not operate at nominal speed.

8. Installation

The figure below illustrates how to mount and connect all pump sizes to an electric motor or combustion engine. If alternative mounting is required, please contact Danfoss High Pressure Pumps for further information.



8.1 Filtration

Proper filtration is crucial for the performance, maintenance and warranty of your pump.

Protect your pump, the application in which it is installed by always ensuring that all filtration specifications are met, and by always changing filter cartridges according to schedule.

Since water has very low viscosity, Danfoss APP S 674 pumps have been designed with very narrow clearances in order to control internal leakage rates and improve pump performance. **To minimize wear on the pump, it is therefore essential to filter inlet water properly:**

The main filter must have a filtration efficiency of 99.98% at 10 µm. We strongly recommend that you always use precision depth filter cartridges rated 10µm abs. $\beta_{10} \geq 5,000$.

Please note that **we do not recommend bag filters or string-wound filter cartridges**, which typically have only 50% filtration efficiency. This means that out of 100,000 particles that enter such filters, 50,000 particles pass right through them; compare this to precision depth filters that are 99.98% efficient, and only allow 20 of the same 100,000 particles to pass through.

For more information on the importance of proper filtration, including explanation of filtration principles, definitions, and guidance on how to select the right filter for your pump, please consult our **Filtration** information and specifications (Danfoss document number 521B1009).

8.2 Noise

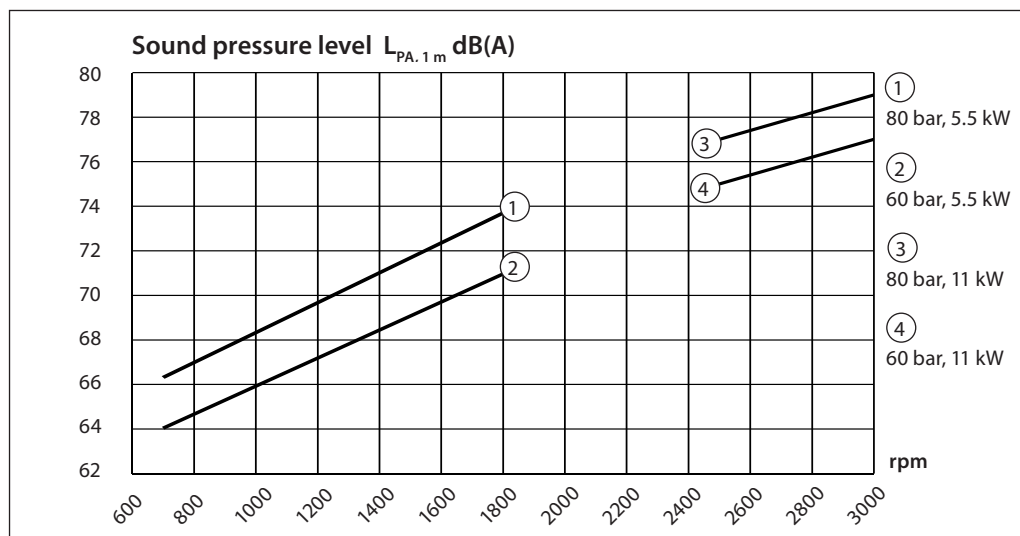
Since the pump unit is mounted on a frame, the overall noise level can only be determined for a complete system. To minimize vibrations and noise throughout the system, it is therefore recommended to mount the pump unit correctly on a frame with dampeners and to use flexible hoses rather than metal pipes where possible.

The noise level is influenced by:

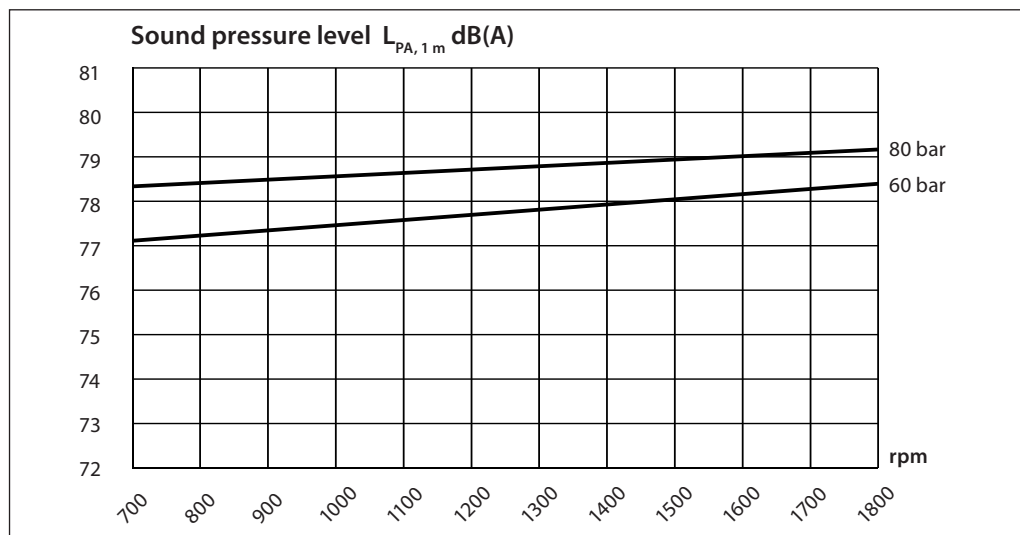
- **Pump speed:**
High rpm makes more fluid/structure-borne pulsations/vibrations than low rpm due to higher frequency.
- **Discharge pressure:**
High pressure makes more noise than low pressure.
- **Pump mounting:**
Rigid mounting makes more noise than flexible mounting due to structure-borne vibrations.
- **Connections to pump:**
Pipes connected directly to the pump make more noise than flexible hoses due to structure-borne vibrations.
- **Variable frequency drives (VFD):**
Motors regulated by VFDs can increase noise level if the VFD does not have the right settings.

The curves on the following page indicate the sound pressure level in dB(A) measured in a reverberation room at a distance of 1 metre from the motor/pump unit surface. The measurements is according to EN ISO 3744: 2010 and the dB(A) $[L_{PA'} 1m]$ values is calculated.

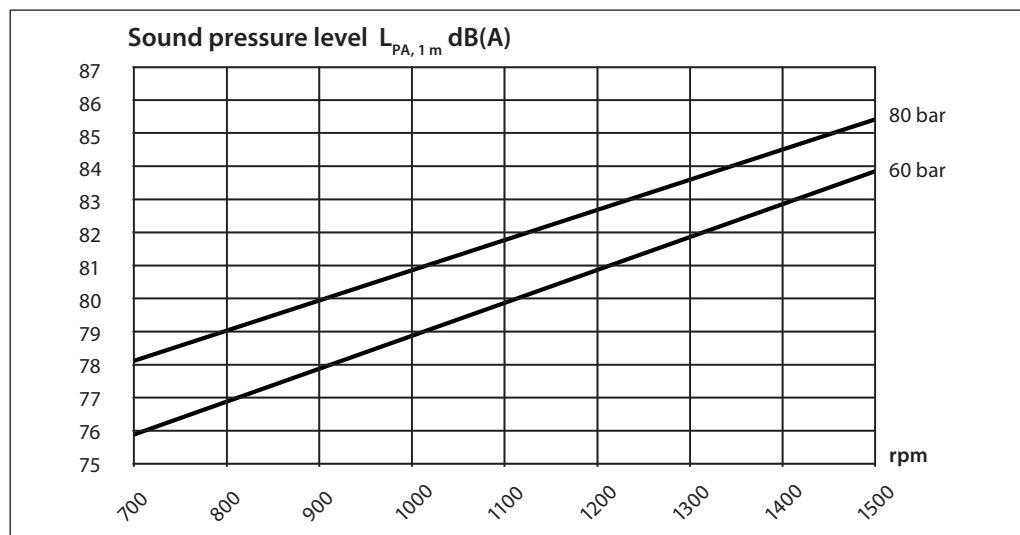
8.2.1 APP S 674 3.0-3.5 pump mounted on motor 5.5 kW 4-pole / 11 kW 2-pole



8.2.2 APP S 674 5.1-9.0 pump mounted on motor 22 kW 4-pole



8.2.3 APP S 674 21-38 pump mounted on motor 75 kW 4-pole

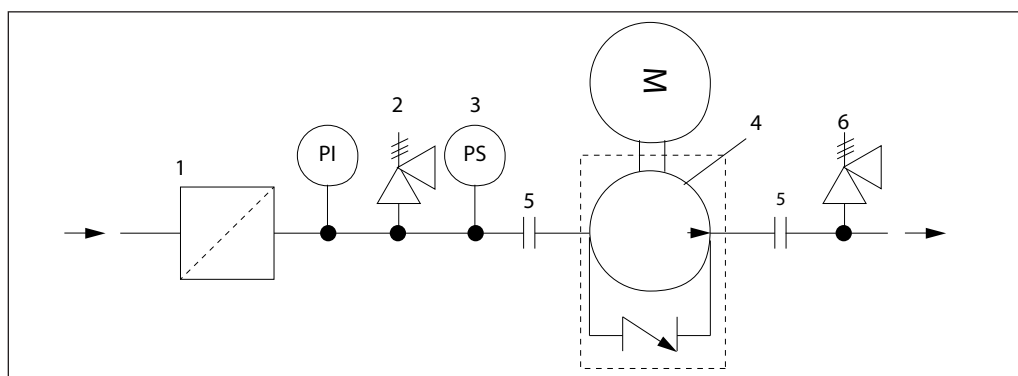


8.3 Open system design

- A Inlet line:**
Minimize pressure loss by allowing for maximum flow, minimum pipe length, as few bends/connections as possible, and fittings with small pressure losses.
- B Inlet filter:**
Install the inlet filter (1) in front of the APP S 674 pump (4). Please consult the Danfoss filter data sheet for guidance on how to select the right filter.
- C Monitoring pressure switch:**
Install the monitoring pressure switch (3) between the filter and the pump inlet. Set the minimum inlet pressure according to pump specifications. The monitoring pressure switch stops the pump if inlet pressure is lower than the set minimum pressure.
- D Monitoring temperature switch when the pump operates in a hazardous area:**
Install the monitoring temperature switch between the filter and the pump, on either side of the monitoring pressure switch. Set the temperature according to pump specifications. The monitoring temperature switch stops the pump if inlet temperature is higher than the set value.

- E Connections:**
Ensure flange loads (5) do not exceed max. allowable loads on connections according to API 673 3rd edition (pipe size).
- F Inlet pressure:**
In order to eliminate the risk of cavitation and other pump damage, inlet pressure must be maintained within pump specifications.
- G LP relief valve (2):**
Can be installed in order to avoid system or pump damage in case the pump stops momentarily or spinning backwards.
- H HP relief valve:**
As the Danfoss APP S 674 pump begins to create pressure and flow immediately after start-up and regardless of any counter pressure, a pressure relief valve (6) should be installed to prevent system damage.

Note: If a non-return valve is mounted in the inlet line, a low-pressure relief valve is also required between the non-return valve and the pump to protect against high-pressure peaks.



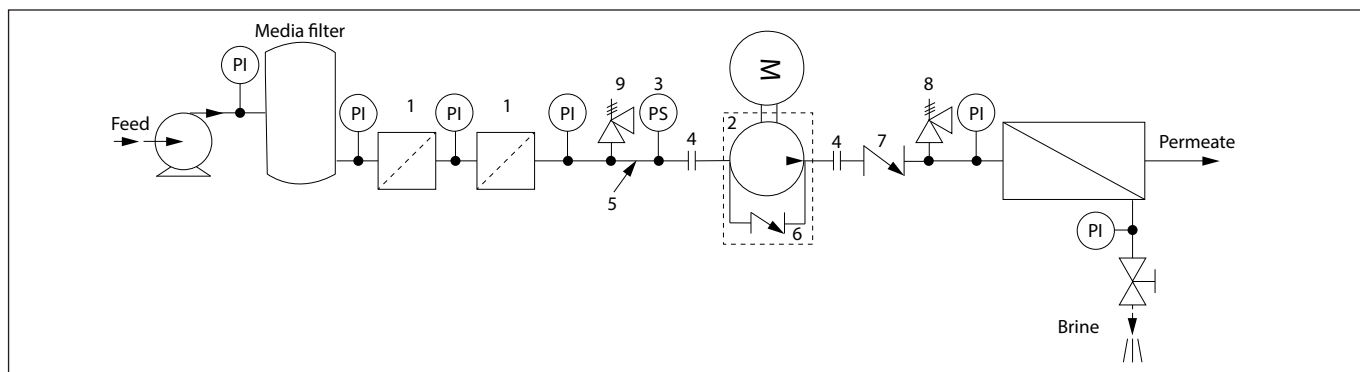
8.4 RO system with APP S 674 pump

The numbers in brackets refer to the drawing on next page.

- A** Dimension the inlet line to obtain minimum pressure loss (large flow, minimum pipe length, minimum number of bends/connections, and fittings with small pressure losses).
- B** Place an inlet filter (1) in front of the APP S 674 pump (2). Please consult section 10, "Filtration" for guidance on how to select the right filter. Thoroughly clean pipes and flush system prior to start-up.
- C** Place a monitoring pressure switch (3) set at min. inlet pressure between filter and pump inlet.
The monitoring switch must stop the pump at pressures lower than minimum pressure.
- D** Ensure flange loads (4) do not exceed max. allowable loads on process connections according to API 673 3rd edition (pipe size).
- E** In order to eliminate the risk of damage and cavitation, a positive pressure at the inlet (5) is always to be maintained at min. inlet pressure and max. inlet pressure. Recom-

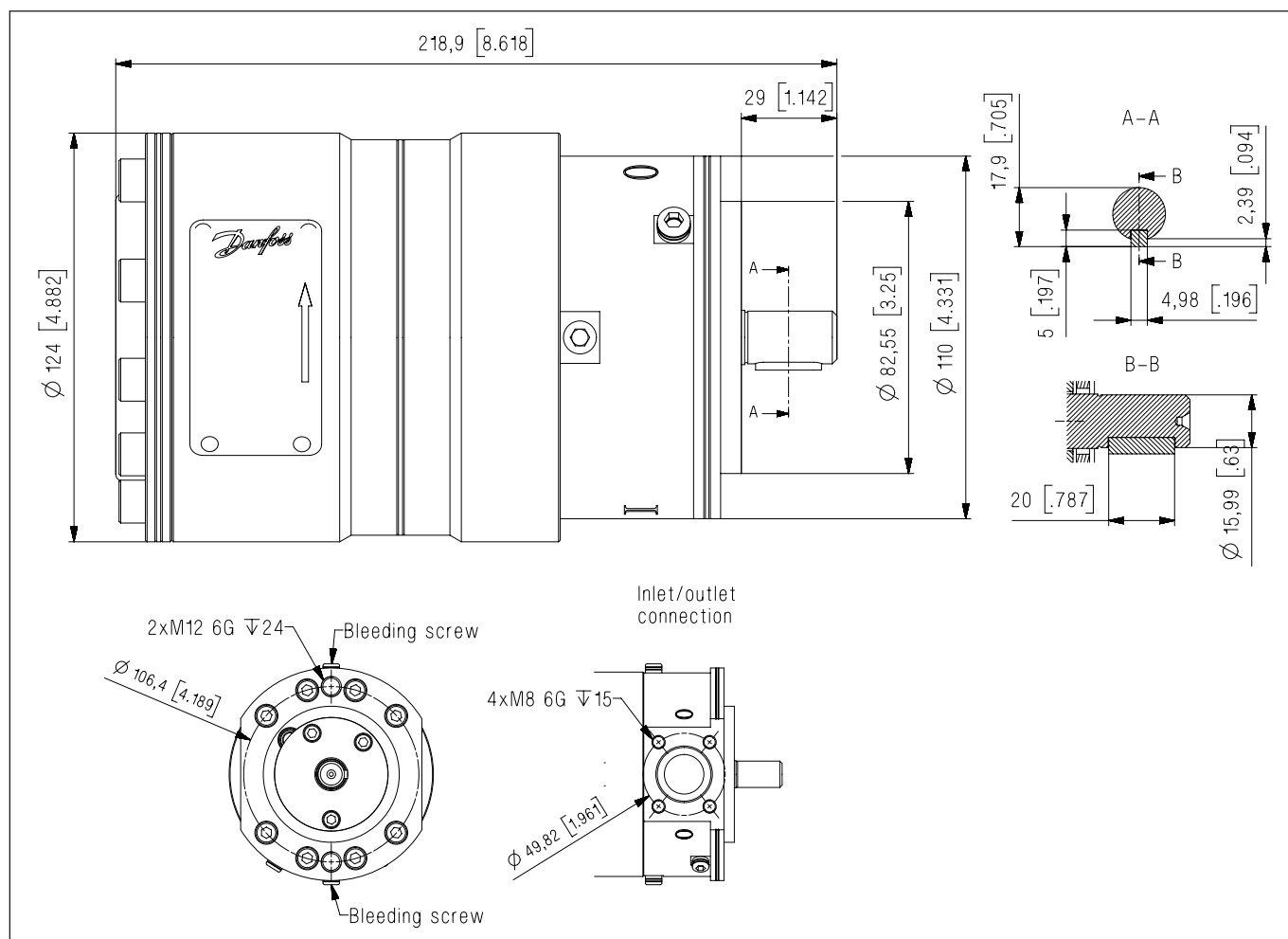
- F** mend to install safety valve or a pressure relief valve (9) in order to avoid high pressure peaks in case the pump stops momentarily or is spinning backwards.
- F** For easy system bleeding and flushing, a bypass non-return valve (6) is integrated in the APP S 674 pump.
- G** A non-return valve (7) in outlet can be installed in order to avoid backspin of the pump. The volume of water in the membrane vessel works as an accumulator and will send flow backwards in case the pump stops momentarily.
- H** A safety valve or a pressure relief valve (8) can be installed in order to avoid system damage as the Danfoss APP S 674 pump creates pressure and flow immediately after start-up, regardless of any counter pressure.

Note: If a non return valve is mounted in the inlet line, a low pressure relief valve is also required between non return valve and pump as protection against high pressure peaks.



9. Dimensions and connections

9.1 APP S 674 3.0-3.5

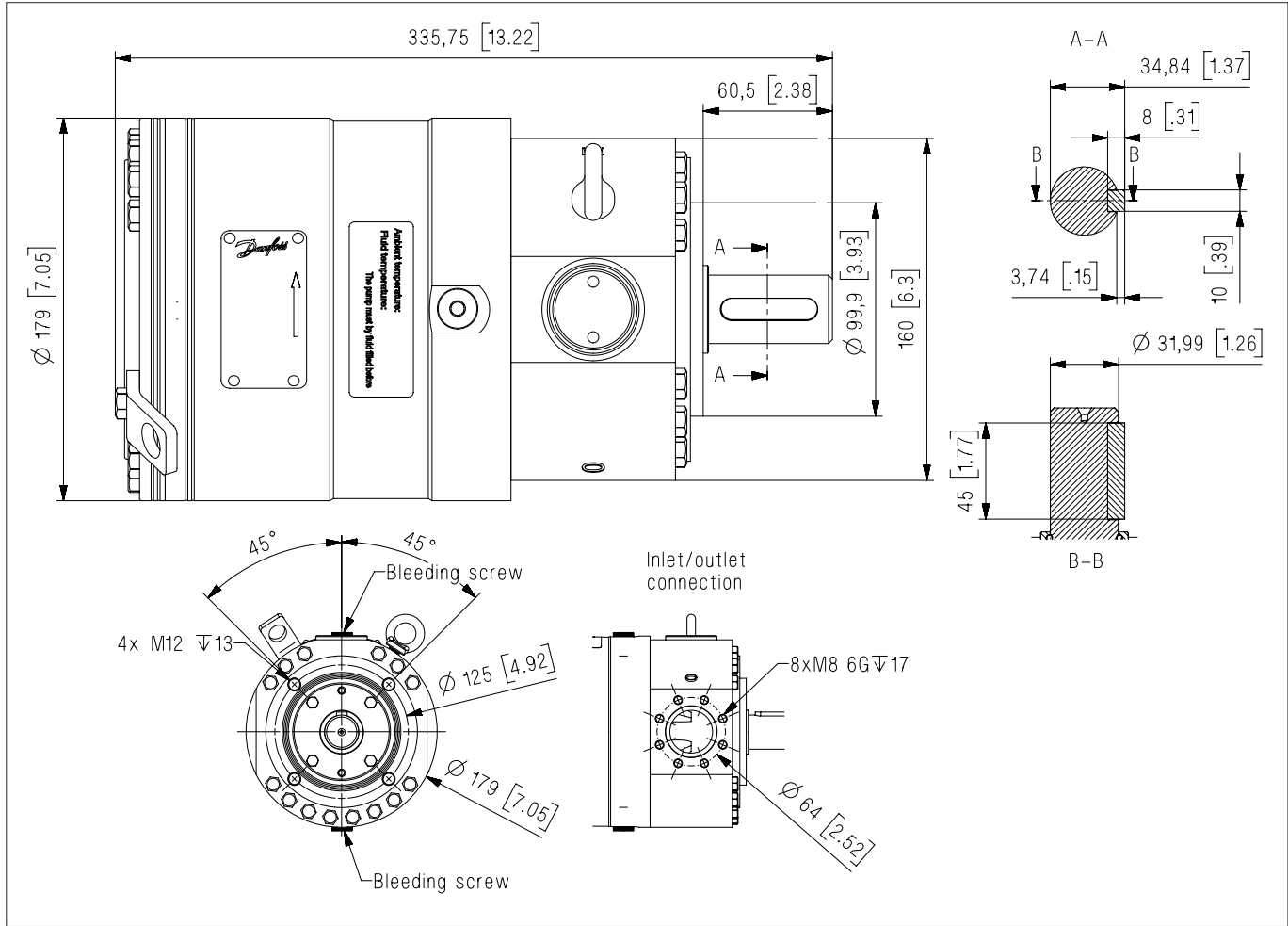


Description	APP S 674 3.0-3.5
Parallel key, DIN 6885, mm (in)	5 × 5 × 5 (0.20 × 0.20 × 0.78)
Bleeding	M6; Hexagon, Allen key 5 mm
Inlet port	4 bolt flange
Outlet port	4 bolt flange
Pump mounting flange	ISO 3019-1 82-2

Accessories	Type
3/4" inlet flange	ASME B16.5
3/4" outlet flange	ASME B16.5

For other requirements on flange connections, please contact Danfoss High Pressure Pumps.

9.2 APP S 674 5.1-9.0

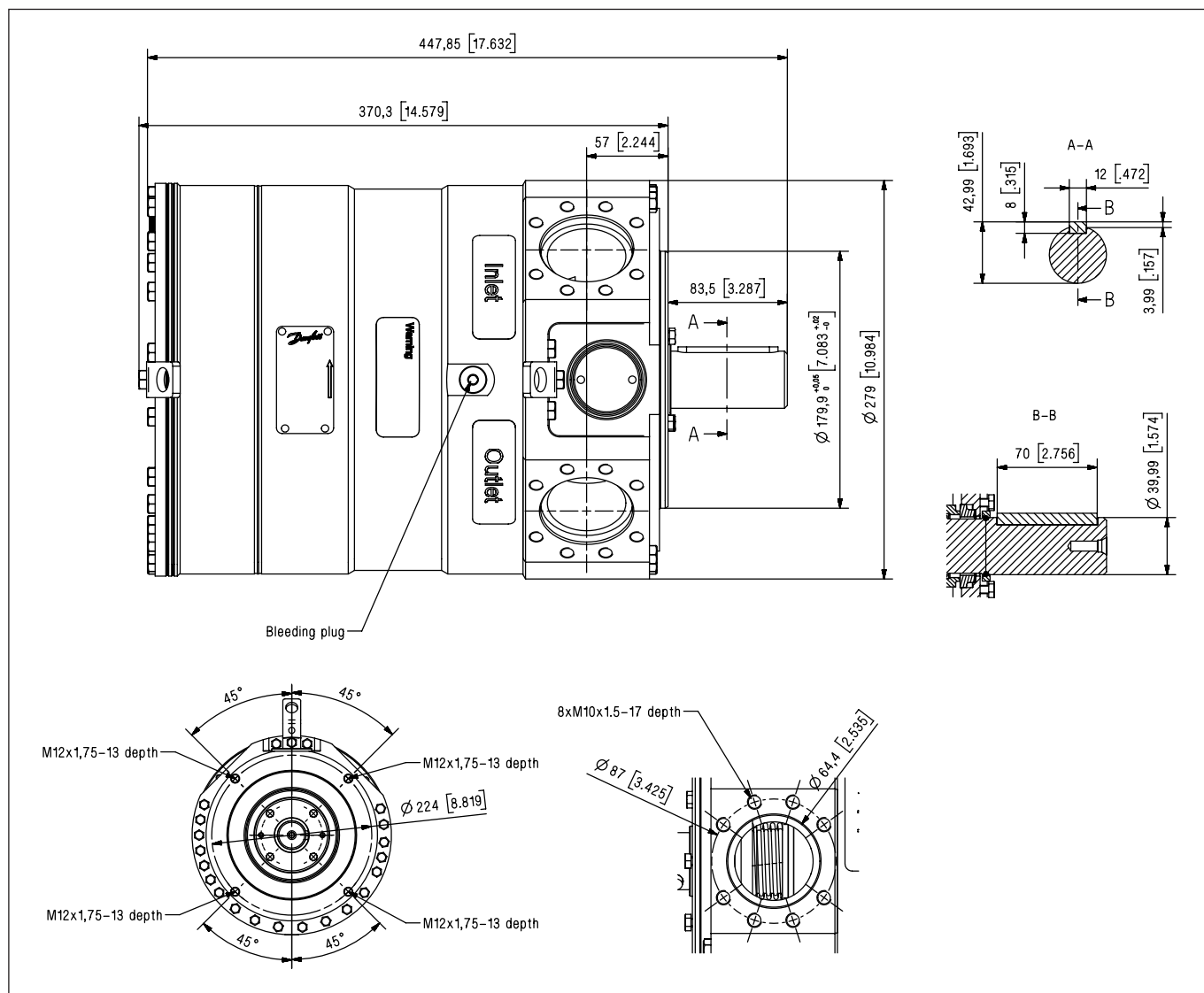


Description	APP S 674 5.1-9.0
Parallel key, DIN 6885, mm (in)	10 × 8 × 45 0.39 × 0.31 × 1.77
Bleeding	G 1/4"; Hexagon, Allen key 6 mm
Inlet port	8 bolt flange
Outlet port	8 bolt flange
Pump mounting flange	ISO 3019-2 100 B4

Accessories	Type
1 1/2" inlet flange	ASME B16.5
1 1/2" outlet flange	ASME B16.5

For other requirements on flange connections, please contact Danfoss High Pressure Pumps.

9.3 APP S 674 21-38



Description	APP S 674 21-38
Parallel key, DIN 6885, mm (in)	12 × 8 × 70 (0.47 × 0.31 × 2.76)
Bleeding	G ¼"; Hexagon, Allen key 8 mm
Inlet port	8 bolt flange
Outlet port	8 bolt flange
Pump mounting flange	ISO 3019-2 180 B4 TW

Accessories	Type
2" inlet flange	ASME B16.5
2" outlet flange	ASME B16.5

For other requirements on flange connections, please contact Danfoss High Pressure Pumps.

10. Service**10.1 Warranty**

Danfoss APP S 674 pumps are designed for long operation, low maintenance and reduced lifecycle costs.

Provided that the pump has been running according to the Danfoss specifications, Danfoss guarantees 8,000 hours service-free operation, however, max. 18 months from date of production.

If Danfoss recommendations concerning system-design are not followed, *it will strongly influence the life of the APP S 674 pumps.*

10.2 Maintenance

After 8,000 hours of operation **it is strongly recommended to inspect the pump and change any worn parts, e.g. pistons.** This is done in order to prevent a potential breakdown of the pump.

If the parts are not replaced, more frequent inspection is recommended according to our guidelines.

Standstill:

The APP S 674 pumps are made of Super Duplex materials with excellent corrosion properties.

It is, however, always recommended to flush the pump with freshwater when the system is shut down.

Danfoss A/S

High Pressure Pumps
DK-6430 Nordborg
Denmark