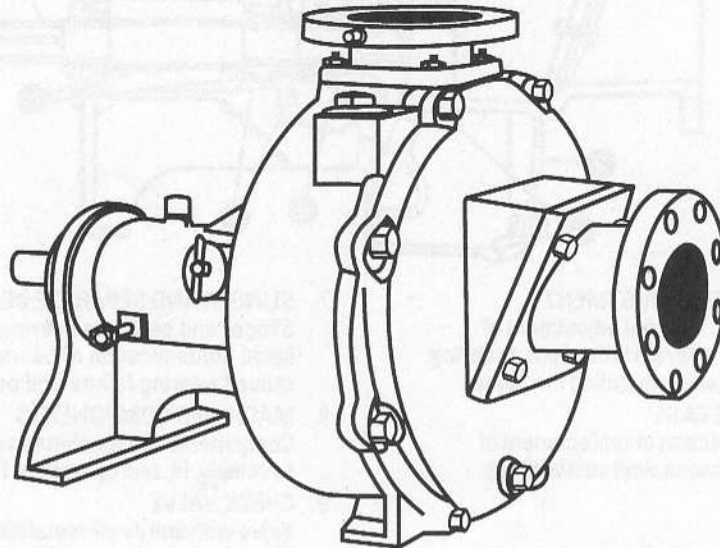
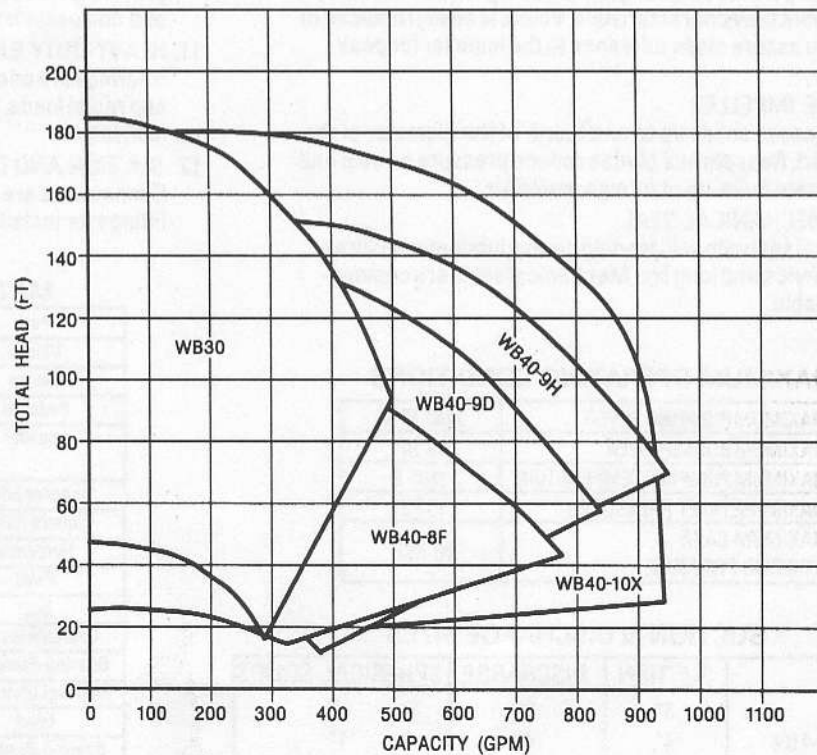


SECTION	4E
PAGE	17
ISSUED	9/94
REPLACES	ALL

**BASE MOUNTED UNIVERSAL DRIVE
 SELF-PRIMING CENTRIFUGAL PUMPS**



**RPM VARIES
 CAPACITIES TO 950 GPM
 HEADS TO 184 FEET**

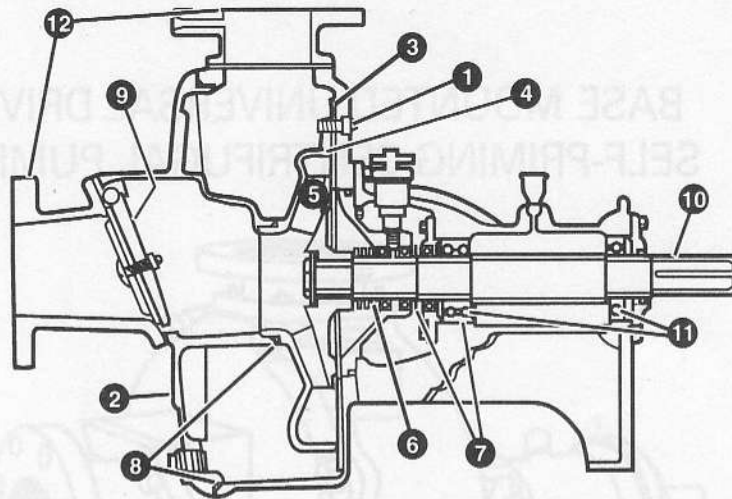


Individual performance curves should be checked for final selection.

11578

SECTION	4E
PAGE	18
ISSUED	9/94
REPLACES	ALL

PRODUCT FEATURES



- PATENTED, EXTERNAL IMPELLER ADJUSTMENT**
Impeller adjustment permits fast, external adjustment of clearance between impeller and wear surface of volute during critical process operations without dismantling the pump.
- PATENTED ROUND, OPEN-TYPE CASE**
Case offers easy access for inspection or replacement of impeller, volute, seal plate, and mechanical seal without disconnecting the driver.
- SEAL PLATE**
Seal plate is constructed of hardened alloy steel to resist erosion, corrosion, and wear.
- VOLUTE**
Volute incorporates unique hydraulic design which creates the most efficient flow characteristics. Volute is easily replaced or adjusted to assure close tolerance to the impeller for peak operation.
- FIVE-VANE IMPELLER**
Impeller passes solids up to one fourth of the diameter of the suction port. Rear shroud blades reduce pressure on seal and help eliminate build-up of foreign materials.
- TYPE 21 MECHANICAL SEAL**
Mechanical seal with self-feeding grease lubricator ensures reliable service and long life. Mechanical seals are commercially available.
- SLINGER AND SEPARATE BEARING CHAMBER**
Slinger and separate bearing chamber combination prevents liquid contamination of bearings in the event of seal failure, to reduce bearing failure and pump damage.
- MACHINED COMPONENTS**
Components are machined with registered fits to ensure proper assembly, fit, and operation. Tolerances are easily maintained.
- CHECK VALVE**
Valve with sturdy all-metal hinge is standard. (Pump will also prime without check valve.)
- SHAFT**
Shaft is constructed of extra-heavy, high-carbon steel to provide wear resistance and protection against fatigue, stress, and corrosion for long operating life.
- HEAVY-DUTY BALL BEARINGS**
Bearings are adequately spaced on pedestal to absorb thrust and radial loads. Bearings are automatically oil or grease lubricated.
- SUCTION AND DISCHARGE CONNECTIONS**
Connections are standard ANSI flanges with drilled and tapped fittings for installation of vacuum and pressure gauges.

MAXIMUM OPERATING CONDITIONS

MAXIMUM PUMPING SPEED	2400 RPM
MAXIMUM HORSEPOWER	50 HP
MAXIMUM PUMPING TEMPERATURE	160° F
MAXIMUM INLET PRESSURE	10 PSI
MAXIMUM CASE WORKING PRESSURE	80 PSI

SUCTION & DISCHARGE SIZES

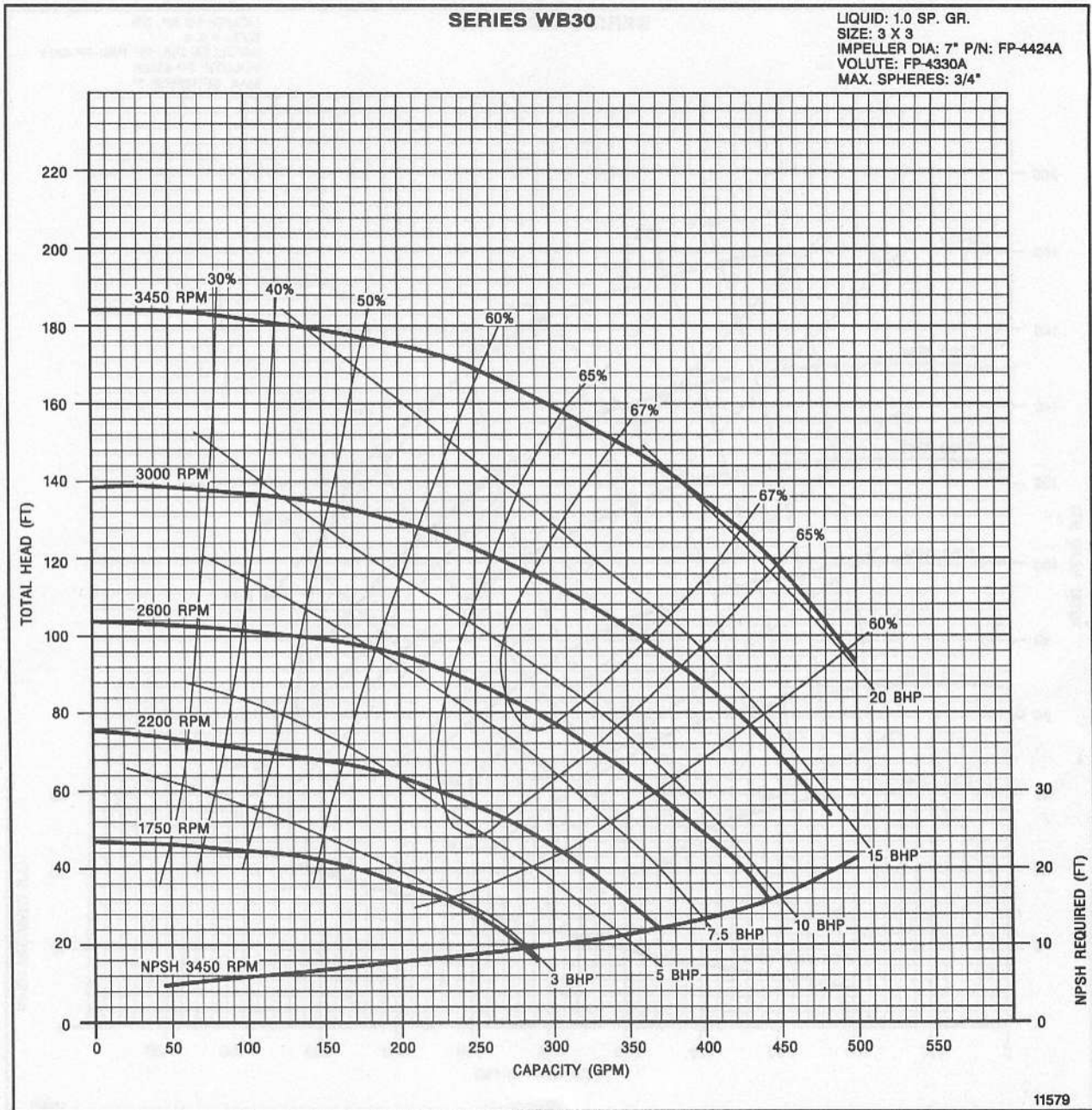
PUMP	SUCTION	DISCHARGE	SPHERICAL SOLIDS
WB30	3"	3"	3/4"
WB40-10X	4"	4"	1"
WB40-9H	4"	4"	1"
WB40-9D	4"	4"	1"
WB40-8F	4"	4"	1"

MATERIALS OF CONSTRUCTION

Part	WB30	WB40
Volute	Cast Iron	Cast Iron
Casing	Cast Iron	Cast Iron
Pedestal	Cast Iron	Cast Iron
Impeller	Semi-Open Type Cast Iron	Semi-Open Type Cast Iron
Impeller Shaft	Steel	Steel
Square Rings	Buna-N	Buna-N
Hardware	Steel	Steel
Paint	Acrylic/Enamel	Acrylic/Enamel
Seal	Carbon/Ceramic	Carbon/Ceramic
Seal Lubrication	Grease	Grease
Bearing-Pump End	Single Row, Ball	Double Row, Ball
Bearing Lubrication	Oil	Oil
Load	Radial & Thrust	Radial & Thrust
Bearing-Drive End	Single Row, Ball	Single Row, Ball
Bearing Lubrication	Oil	Oil
Load	Radial & Thrust	Radial & Thrust
Check Valve	Neoprene	Neoprene

SECTION	4E
PAGE	19
ISSUED	9/94
REPLACES	ALL

SELF PRIMING CENTRIFUGAL PUMPS



SECTION	4E
PAGE	20
ISSUED	9/94
REPLACES	ALL

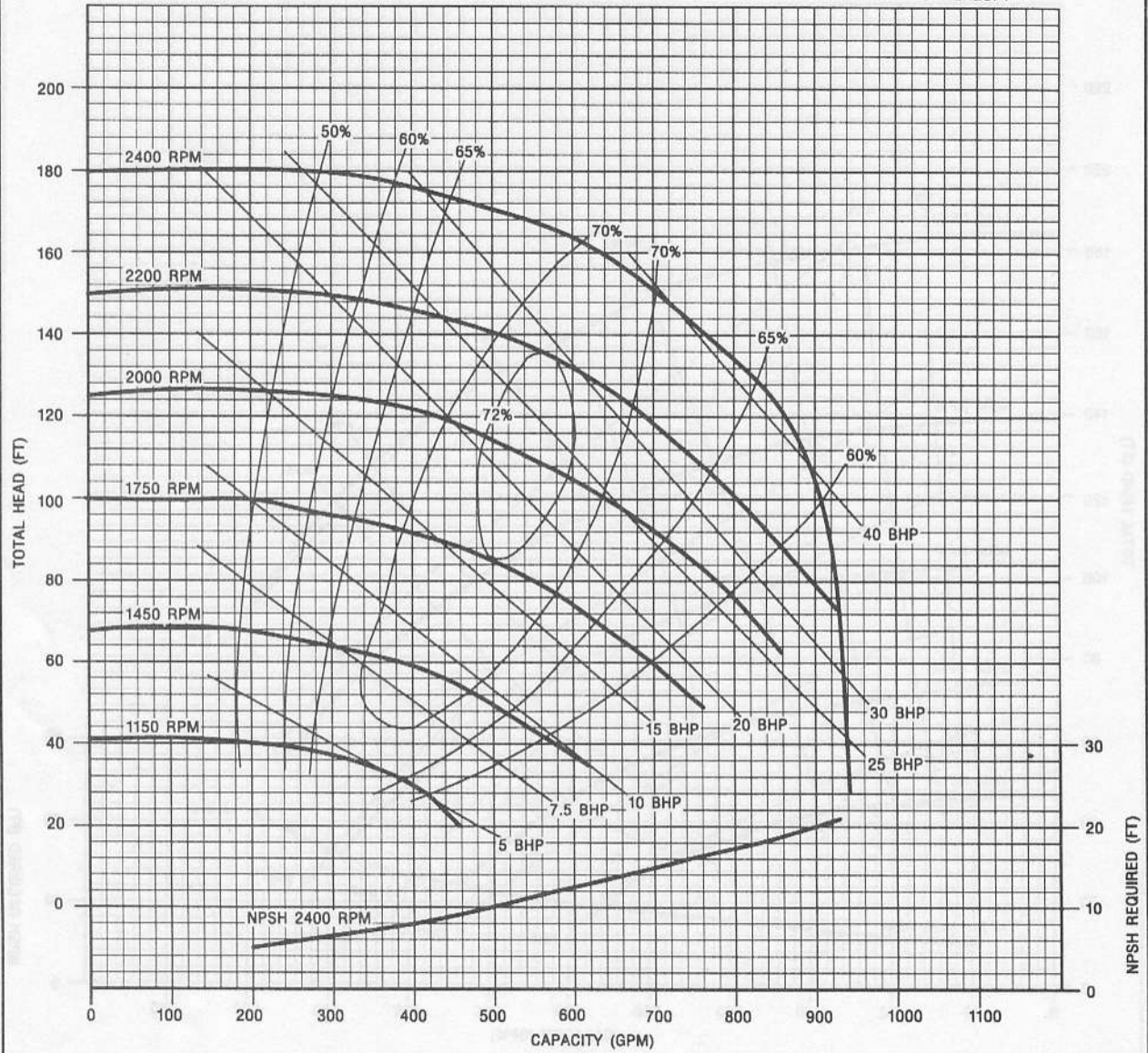
PERFORMANCE CURVES

SELF PRIMING CENTRIFUGAL PUMPS

SERIES WB40-10X

LIQUID: 1.0 SP. GR.
SIZE: 4 X 4
IMPELLER DIA: 10" P/N: FP-4314
VOLUTE: FP-4313A
MAX. SPHERES: 1"

RPM
VARIES

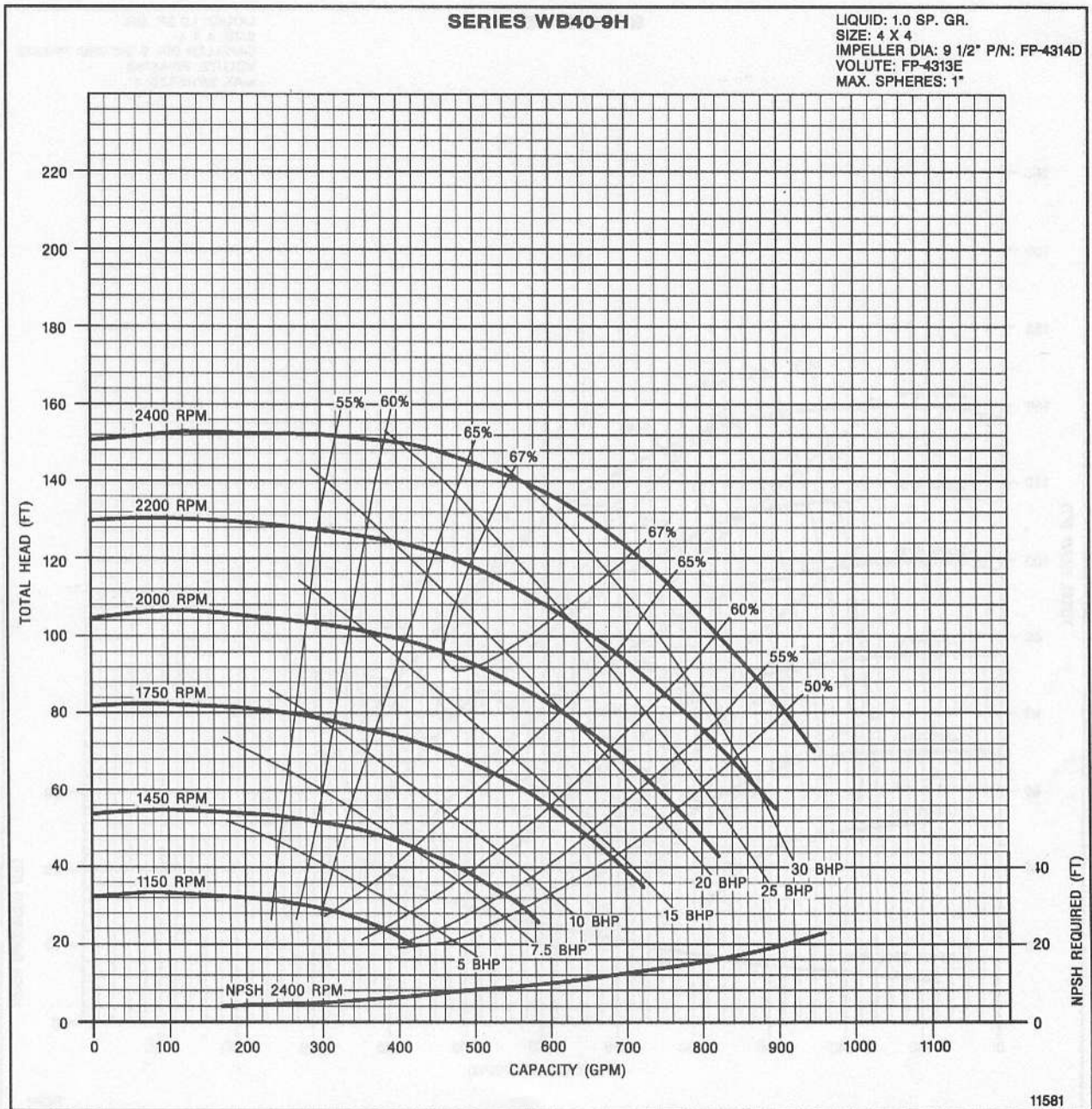


11580

PERFORMANCE CURVES

SECTION	4E
PAGE	21
ISSUED	9/94
REPLACES	ALL

SELF PRIMING CENTRIFUGAL PUMPS



SECTION	4E
PAGE	22
ISSUED	9/94
REPLACES	ALL

PERFORMANCE CURVES

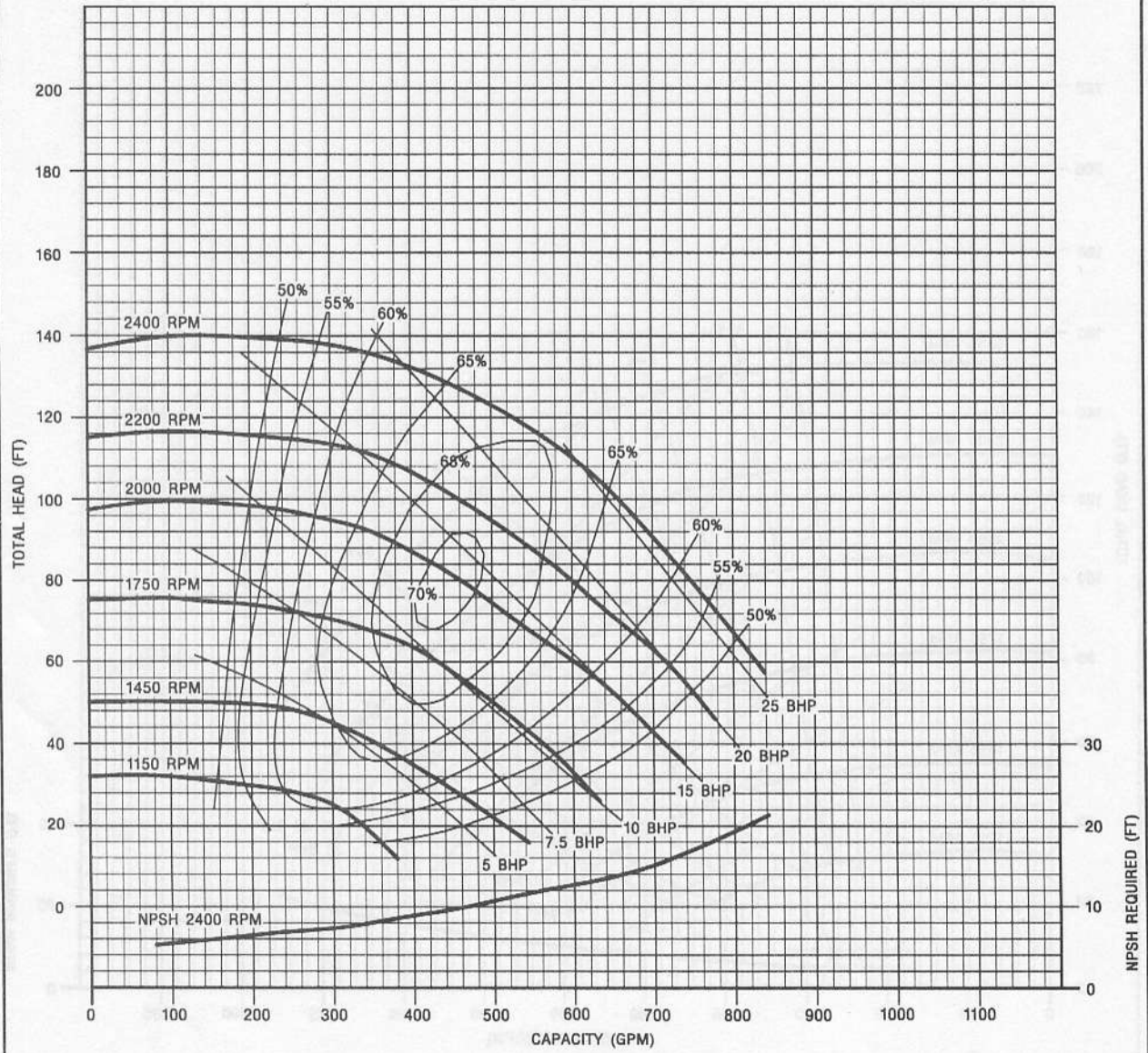


SELF PRIMING CENTRIFUGAL PUMPS

SERIES WB40-9D

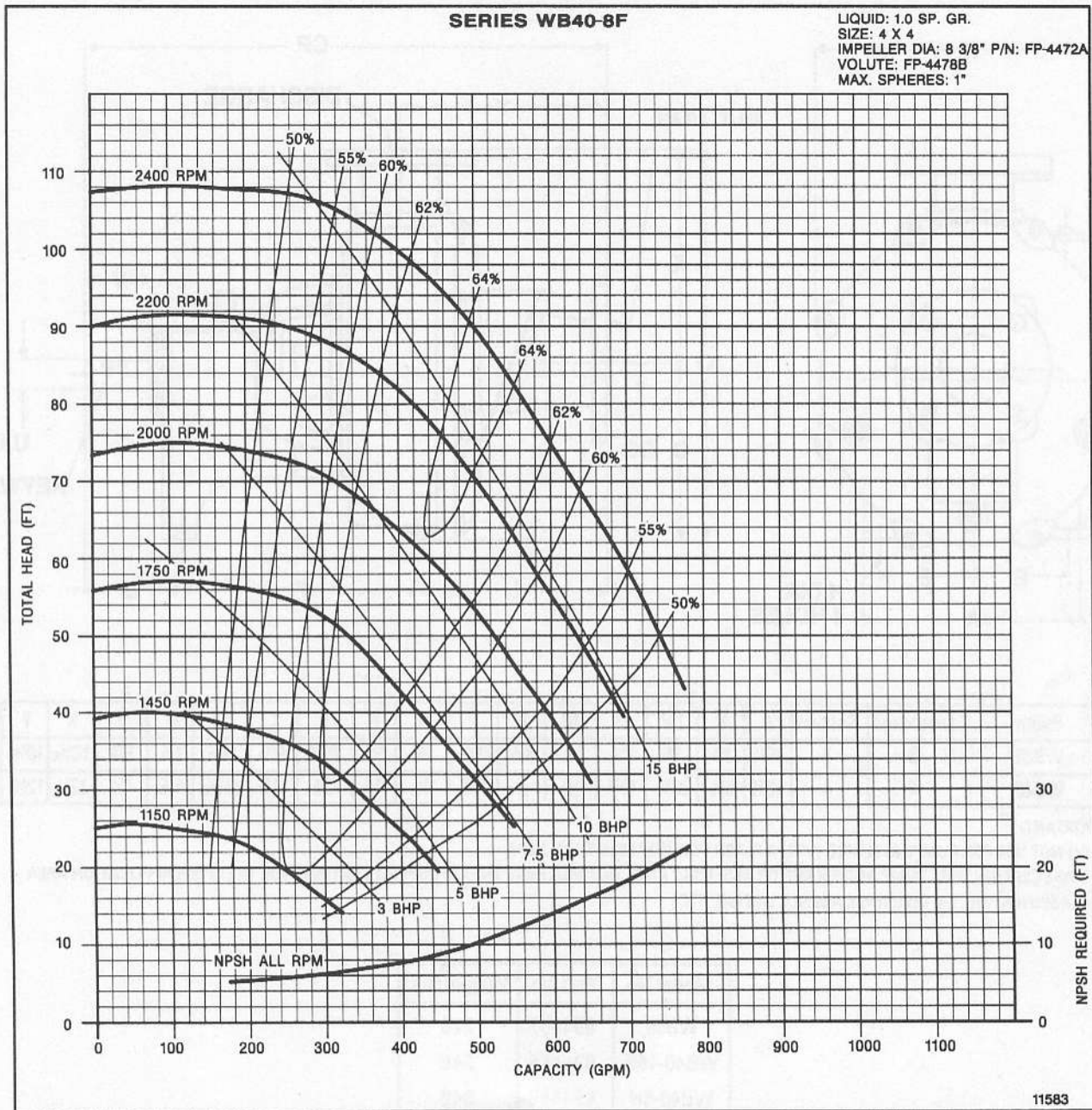
LIQUID: 1.0 SP. GR.
SIZE: 4 X 4
IMPELLER DIA: 9 1/4" P/N: FP-4472
VOLUTE: FP-4478B
MAX. SPHERES: 1"

RPM
VARIES



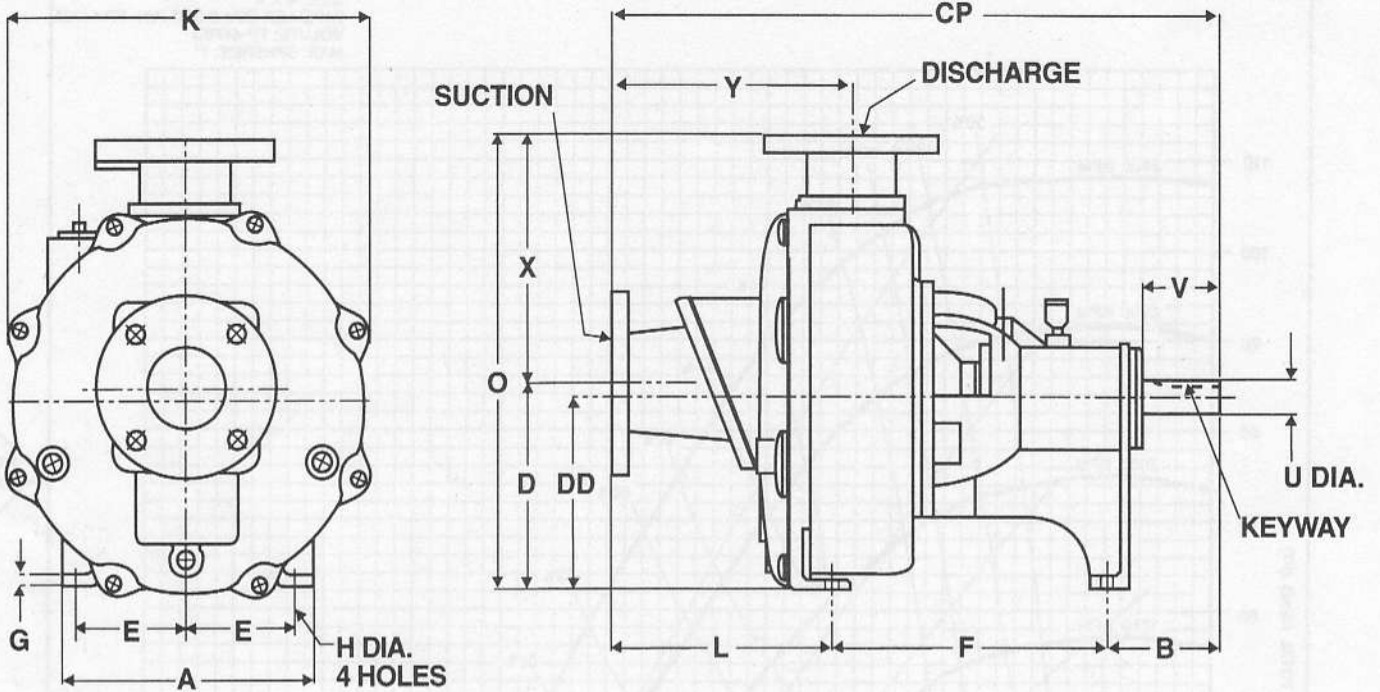
SECTION	4E
PAGE	23
ISSUED	9/94
REPLACES	ALL

SELF PRIMING CENTRIFUGAL PUMPS



SECTION	4E
PAGE	24
ISSUED	9/94
REPLACES	ALL

DIMENSIONS



Pump	Discharge	Suction	A	B	CP	D	DD	E	F	G	H	K	L	O	U	V	X	Y
WB30	3	3	10½	3¼	26	8¼	7¼	4½	11½/16	7/16	9/16	15/16	9/16	18½	1¾	3/4	10/16	107/16
WB40	4	4	13¾	6½	33¾	10¾	10	6	16½	5/8	11/16	20	11¼	22²⁹/₃₂	1½	4/8	12½	12³/₁₆

IMPORTANT!

- DO NOT USE FOR PUMPING FLUIDS WITH A FLASH POINT OF LESS THAN 100°F.
- MAKE CERTAIN THAT PUMP AND/OR MOTOR ASSEMBLY AND CONTROLS HAVE THE APPROPRIATE RATINGS FOR THE GIVEN APPLICATION AREA CLASSIFICATION. (ie: DIVISION I, AGENCY LISTING, ETC.)

Model No.	Part No.	Weight lbs.
WB30	094457	220
WB40-10X	094458	340
WB40-9H	094459	340
WB40-9D	094460	340
WB40-8F	094461	340

DO NOT USE FOR CONSTRUCTION PURPOSES. CERTIFIED DIMENSION DRAWINGS AVAILABLE ON REQUEST.

V-Belt Drive, Sheaves & Bushings for Horizontal V-Belt Bases
 Model WB30
 Motor Speed: 1750 RPM
 Pump Shaft 1³/₈" Dia.

Driven Speed	Speed Ratio	Motor HP	Frame Size	C.D.	Drive P/N
3450	1.97	30	286T	18.4	091432
3450	1.97	25	284T	18.4	091432
3450	1.97	20	256T	20.2	091433
3450	1.97	15	254T	20.2	091434
3300	1.89	30	286T	18.6	091435
3300	1.89	25	284T	18.6	091435
3300	1.89	20	256T	19.7	091436
3300	1.89	15	254T	19.7	091437
3272	1.87	30	286T	19.3	091438
3272	1.87	25	284T	19.3	091439
3272	1.87	20	256T	19.3	091440
3150	1.80	15	254T	19.1	091441
3100	1.77	30	286T	18.3	091442
3100	1.77	25	284T	18.3	091442
3100	1.77	20	256T	18.3	091443
3100	1.77	15	254T	18.3	091443
3000	1.71	25	284T	19.9	091444
3000	1.71	20	256T	19.9	091445
3000	1.71	15	254T	19.9	091446
3000	1.71	10	215T	19.9	091447
2900	1.66	25	284T	18.0	091448
2900	1.66	20	256T	18.0	091449
2900	1.66	15	254T	18.0	091450
2900	1.66	10	215T	18.0	091451
2800	1.60	25	284T	19.7	091452
2800	1.60	20	256T	19.7	091453
2800	1.60	15	254T	19.7	091454
2800	1.60	10	215T	19.7	091455
2700	1.55	25	284T	19.0	091456
2700	1.55	20	256T	19.0	091457
2700	1.55	15	254T	19.0	091457
2700	1.55	10	215T	19.0	091458
2700	1.55	7.5	213-215T	19.0	091458
2600	1.49	15	254T	19.5	091459
2600	1.49	10	215T	19.5	091460
2600	1.49	7.5	213-215T	19.5	091461

Driven Speed	Speed Ratio	Motor HP	Frame Size	C.D.	Drive P/N
2500	1.43	15	254T	19.3	091462
2500	1.43	10	215T	19.3	091463
2500	1.43	7.5	213-215T	19.3	091464
2400	1.37	15	254T	19.1	091465
2400	1.37	10	215T	19.1	091466
2400	1.37	7.5	213-215T	19.1	091466
2300	1.31	15	254T	18.4	091467
2300	1.31	10	215T	18.4	091468
2300	1.31	7.5	213-215T	18.4	091469
2300	1.31	5.0	213T	18.4	091469
2300	1.31	5.0	184T	18.4	091470
2200	1.25	15	254T	18.6	091471
2200	1.25	10	215T	18.6	091472
2200	1.25	7.5	213-215T	18.6	091472
2200	1.25	5.0	213T	18.6	091473
2200	1.25	5.0	184T	18.6	091474
2100	1.20	15	254T	19.4	091475
2100	1.20	10	215T	19.4	091476
2100	1.20	7.5	213-215T	19.4	091476
2100	1.20	5.0	213T	19.4	091477
2100	1.20	5.0	184T	19.4	091478
2000	1.14	7.5	213-215T	19.5	091479
2000	1.14	5.0	213T	19.5	091479
2000	1.14	5.0	184T	19.5	091480
2000	1.14	3.0	182-184T	19.5	091481
1900	1.09	7.5	213-215T	19.7	091482
1900	1.09	5.0	213T	19.7	091482
1900	1.09	5.0	184T	19.7	091483
1900	1.09	3.0	182-184T	19.7	091484
1750	1.00	5.0	213T	19.7	091485
1750	1.00	5.0	184T	19.7	091486
1750	1.00	3.0	182-184T	19.7	091487

SECTION	4E
PAGE	26
ISSUED	9/94
REPLACES	ALL



V-Belt Drive, Sheaves & Bushings for Horizontal V-Belt Bases

Model WB30

Motor Speed: 3450 RPM

Pump Shaft 1³/₈" Dia.

Driven Speed	Speed Ratio	Motor HP	Frame Size	C.D.	Drive P/N
3450	1.00	30	286T	19.2	091488
3450	1.00	25	284T	19.2	091488
3450	1.00	20	256T	19.2	091489
3450	1.00	15	254T	19.2	091489
3300	1.05	30	286T	18.8	091490
3300	1.05	25	284T	18.8	091491
3300	1.05	20	256T	18.8	091492
3300	1.05	15	254T	18.8	091493
3200	1.08	30	286T	18.2	091494
3200	1.08	25	284T	18.2	091494
3200	1.08	20	256T	18.2	091495
3200	1.08	15	254T	18.2	091495
3100	1.11	30	286T	19.0	091496
3100	1.11	25	284T	19.0	091496
3100	1.11	20	256T	19.0	091497
3100	1.11	15	254T	19.0	091498
3000	1.15	25	284T	19.5	091499
3000	1.15	20	256T	19.5	091500
3000	1.15	15	254T	19.5	091500
3000	1.15	10	215T	19.5	091501
2900	1.19	25	284T	19.9	091502
2900	1.19	20	256T	19.9	091503
2900	1.19	15	254T	19.9	091504
2900	1.19	10	215T	19.9	091505
2800	1.23	25	284T	18.7	091506
2800	1.23	20	256T	18.7	091507
2800	1.23	15	254T	18.7	091507
2800	1.23	10	215T	18.7	091508
2700	1.28	25	284T	19.6	091509
2700	1.28	20	256T	19.6	091510
2700	1.28	15	254T	19.6	091511
2700	1.28	10	215T	19.6	091512
2700	1.28	7.5	213-215T	19.6	091513
2600	1.33	15	254T	19.3	091514
2600	1.33	10	215T	19.3	091515
2600	1.33	7.5	213-215T	19.3	091515

Driven Speed	Speed Ratio	Motor HP	Frame Size	C.D.	Drive P/N
2500	1.38	15	254T	19.7	091516
2500	1.38	10	215T	19.7	091517
2500	1.38	7.5	213-215T	19.7	091517
2400	1.44	15	254T	19.0	091518
2400	1.44	10	215T	19.0	091519
2400	1.44	7.5	213-215T	19.0	091520
2300	1.50	15	254T	19.9	091521
2300	1.50	10	215T	19.9	091522
2300	1.50	7.5	213-215T	19.9	091522
2300	1.50	5.0	213T	19.9	091523
2300	1.50	5.0	184T	19.9	091524
2200	1.57	15	254T	19.6	091525
2200	1.57	10	215T	19.6	091526
2200	1.57	7.5	213-215T	19.6	091527
2200	1.57	5.0	213T	19.6	091527
2200	1.57	5.0	184T	19.6	091528
2100	1.64	15	254T	18.9	091529
2100	1.64	10	215T	18.9	091530
2100	1.64	7.5	213-215T	18.9	091530
2100	1.64	5.0	213T	18.9	091531
2100	1.64	5.0	184T	18.9	091532
2000	1.73	7.5	213-215T	19.4	091533
2000	1.73	5.0	213T	19.4	091534
2000	1.73	5.0	184T	19.4	091535
2000	1.73	3.0	182-184T	19.4	091536
1900	1.82	7.5	213-215T	19.2	091537
1900	1.82	5.0	213T	19.2	091538
1900	1.82	5.0	184T	19.2	091539
1900	1.82	3.0	182-184T	19.2	091540
1750	1.97	5.0	213T	18.7	091541
1750	1.97	5.0	184T	18.7	091542
1750	1.97	3.0	182-184T	18.7	091542

V-Belt Drive, Sheaves & Bushings for Horizontal V-Belt Bases
Model WB40
Motor Speed: 1750 RPM
Pump Shaft 1½" Dia.

Driven Speed	Speed Ratio	Motor HP	Frame Size	C.D.	Drive P/N
2400	1.37	75	365T	22.2	091771
2400	1.37	60	364T	22.2	091771
2400	1.37	50	326T	22.2	091772
2400	1.37	40	324T	22.1	091773
2400	1.37	30	286T	22.1	091774
2400	1.37	25	284T	22.1	091775
2300	1.31	60	364T	22.6	091776
2300	1.31	50	326T	22.6	091777
2300	1.31	40	324T	21.9	091778
2300	1.31	30	286T	21.9	091779
2300	1.31	25	284T	21.9	091780
2300	1.31	20	256T	21.9	091781
2300	1.31	15	254T	21.9	091782
2200	1.25	60	364T	22.8	091783
2200	1.25	50	326T	22.8	091784
2200	1.25	40	324T	23.1	091785
2200	1.25	30	286T	23.1	091786
2200	1.25	25	284T	23.1	091787
2200	1.25	20	256T	23.1	091788
2200	1.25	15	254T	23.1	091789
2200	1.25	10	215T	23.1	091790
2100	1.20	50	326T	23.2	091791
2100	1.20	40	324T	23.2	091792
2100	1.20	30	286T	22.9	091793
2100	1.20	25	284T	22.9	091794
2100	1.20	20	256T	22.9	091795
2100	1.20	15	254T	22.9	091796
2100	1.20	10	215T	22.9	091797
2000	1.14	50	326T	23.4	091798
2000	1.14	40	324T	23.4	091799
2000	1.14	30	286T	23.4	091800
2000	1.14	25	284T	23.4	091801
2000	1.14	20	256T	23.4	091802
2000	1.14	15	254T	23.4	091803
2000	1.14	10	215T	23.4	091804
2000	1.14	7.5	213-215T	23.4	091804

Driven Speed	Speed Ratio	Motor HP	Frame Size	C.D.	Drive P/N
1900	1.09	40	324T	23.7	091805
1900	1.09	30	286T	23.7	091806
1900	1.09	25	284T	23.7	091807
1900	1.09	20	256T	23.7	091808
1900	1.09	15	254T	23.7	091808
1900	1.09	10	215T	23.7	091809
1900	1.09	7.5	213-215T	23.7	091809
1750	1.00	30	286T	23.2	091810
1750	1.00	25	284T	23.2	091810
1750	1.00	20	256T	23.2	091811
1750	1.00	15	254T	23.2	091812
1750	1.00	10	215T	23.2	091813
1750	1.00	7.5	213-215T	23.2	091813
1750	1.00	5.0	213T	23.2	091813
1750	1.00	5.0	184T	23.2	091814
1600	1.09	30	286T	23.7	091815
1600	1.09	25	284T	23.7	091816
1600	1.09	20	256T	23.7	091817
1600	1.09	15	254T	23.7	091817
1600	1.09	10	215T	23.7	091818
1600	1.09	7.5	213-215T	23.7	091818
1600	1.09	5.0	213T	23.7	091819
1600	1.09	5.0	184T	23.7	091820
1450	1.20	15	254T	22.9	091821
1450	1.20	10	215T	22.9	091822
1450	1.20	7.5	213-215T	22.9	091822
1450	1.20	5.0	213T	22.9	091823
1450	1.20	5.0	184T	22.9	091824
1300	1.35	15	254T	23.2	091825
1300	1.35	10	215T	23.2	091826
1300	1.35	7.5	213-215T	23.2	091827
1300	1.35	5.0	213T	23.2	091827
1300	1.35	5.0	184T	23.2	091828
1300	1.35	3.0	182-184T	23.2	091829
1150	1.52	7.5	213-215T	21.8	091830
1150	1.52	5.0	213T	21.8	091831
1150	1.52	5.0	184T	21.8	091832
1150	1.52	3.0	182-184T	21.8	091833