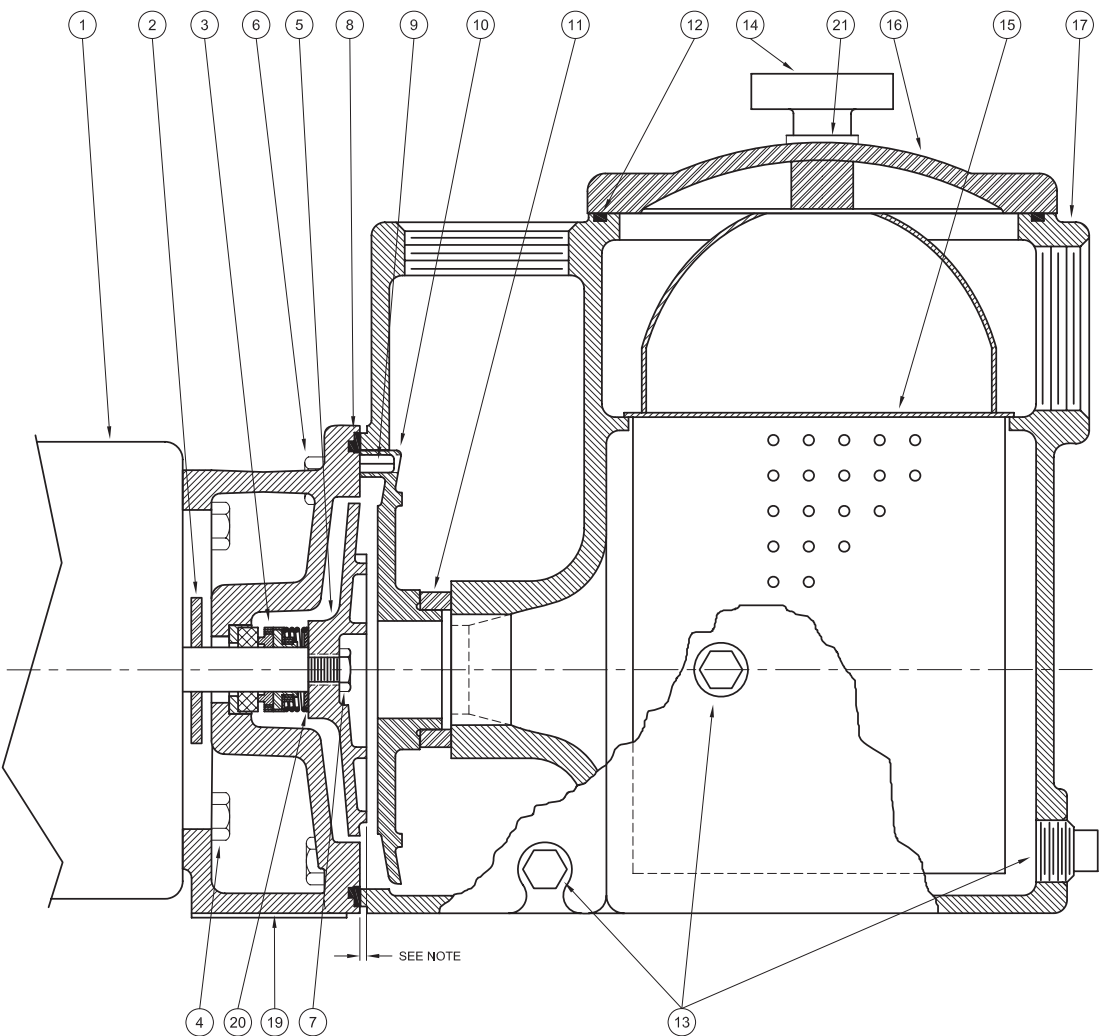


Centrifugals - Self-Priming



NOTE: Impeller must extend from face of frame as follows:
 Pumps with 20405 Diffuser - 33/64"
 20405-1 Diffuser - 9/32"
 20406 Diffuser - 15/64"
 Shim washers (Symbol 20) may be added or removed as required to obtain dimensions.

1 - MOTORS		
RPM & PHASE	PART NUMBER	HP
FOR WT5X & WPT5X (Std) SERIES OPEN DRIP PROOF		
3500 RPM Single Phase (ODP)	20633	1/2
	20501	3/4
	20502	1
	20503	1½
	20504	2
	20505	3
3500 RPM Three Phase (ODP)	20634	1/2
	20506	3/4
	20507	1
	20508	1½
	20509	2
	20510	3
FOR WST5X (Std) SERIES EXPLOSION PROOF		
3500 RPM Single Phase (XP)	20655	1/2
	20513	3/4
	20515	1
	20517	1½
	20519	2
3500 RPM Three Phase (XP)	20656	1/2
	20514	3/4
	20516	1
	20518	1½
	20520	2

SYMBOL NUMBER	PART NUMBER	QTY	DESCRIPTION
11	04231	1	Suction Sleeve - Buna-N, WT5X & WST5X (Std)
	09695	1	Suction Sleeve - Viton, WPT5X (Std)
	20285	1	Suction Sleeve - EPT**
12	067565	1	Gasket, Buna-N - WT5X & WST5X
	20460	1	Gasket, Viton - WPT5X
13	04236	3	Plug, 1/4-18 NPT
14	05413	2	Knob Assy
15	20461	1	Strainer, Basket
16	20410	1	Cover, Strainer
17	20411	1	Case
19	20245	1	Adapter - 20WT5AX & 320WT5AX 5WPT5X & 35WPT5X 30WPT5AX & 330WPT5AX X20WST5AX & X320WST5AX
	20245-1	1	Adapter - All except above
20	20628	1	Washer, 1/16 - 7WPT5X & 37WPT5X
	08542-A	A/R	Washer, .032"
	20294	A/R	Washer, .010"
	20497	A/R	Washer, .005"
21	01609-A	2	Washer, Iron, 3/8"
ALL IRON PARTS			
5		1	Impeller (Omit Letter A)
13	04236-A	3	Plug, 1/4-18 NPT

(*) WT5X, WPT5X & WST5X Series pumps have been manufactured with either cast iron or Bronze impellers as standard. All replacement impellers will be bronze as listed, unless iron is specified. For iron impellers, omit the letter "A" from part number. EXAMPLE: 20409-8.

(**) For hot water or caustic service.

(♦) Series WT5X, WPT5X & WST5X pumps have been manufactured with either a flat or O-ring type gasket. Determine which type is required before ordering. When in doubt, order flat gasket.

SYMBOL NUMBER	PART NUMBER	QTY	DESCRIPTION	
2	08105	1	Slinger Washer	
3	08514	1	Mechanical Seal - Buna-N (WT5X & WST5X Std)	
	09762	1	Mechanical Seal - Viton, WPT5X (Std)	
	20764-C	1	Mechanical Seal - EPT**	
4	01928	4	Cap Screw 3/8 x 1" Lg	
FOR SERIES WT5X, 1 & 3 PHASE				
* 5	20409-A-8	1	Impeller, 5WT5X	
	20409-A-2	1	Impeller, 7WT5X	
	20409-A-4	1	Impeller, 10WT5X	
	20409-A-1	1	Impeller, 15WT5X	
	20409-A	1	Impeller, 20WT5X	
	20408-A	1	Impeller, 20WT5AX	
	FOR SERIES WPT5X, 1 & 3 PHASE			
	20407-A	1	Impeller, 5WPT5X	
	20409-A-6	1	Impeller, 7WPT5X	
	20409-A-5	1	Impeller, 10WPT5X	
20409-A-2	1	Impeller, 15WPT5X		
20409-A-4	1	Impeller, 20WPT5X		
20409-A	1	Impeller, 20WPT5AX		
20408-A	1	Impeller, 30WPT5AX		
FOR SERIES WST5X, 1 & 3 PHASE				
20409-A-7	1	Impeller, X5WST5X		
20409-A-5	1	Impeller, X7WST5X		
20409-A-2	1	Impeller, X10WST5X		
20409-A-1	1	Impeller, X15WST5X		
20409-A	1	Impeller, X20WST5X		
20408-A	1	Impeller, X20WST5AX		
6	04235	4	Cap Screw 3/8-1 1/4	
7	20459	1	Impeller Lock Nut	
♦ 8	08507	1	Flat Gasket	
	22021	1	O-Ring - Buna-N, WT5X & WST5X (Std)	
	22020	1	O-Ring - Viton, WPT5X (Std)	
	22133	1	O-Ring - EPDM**	
	22102	1	O-Ring - Teflon	
9	09453	2	Pin	
10	20405	1	Diffuser - 20WT5AX & 320WT5AX 30WPT5AX & 330WPT5AX X20WST5AX & X320WST5AX	
	20405-1	1	Diffuser - 5WPT5X & 35WPT5X	
	20406	1	Diffuser - All except above	