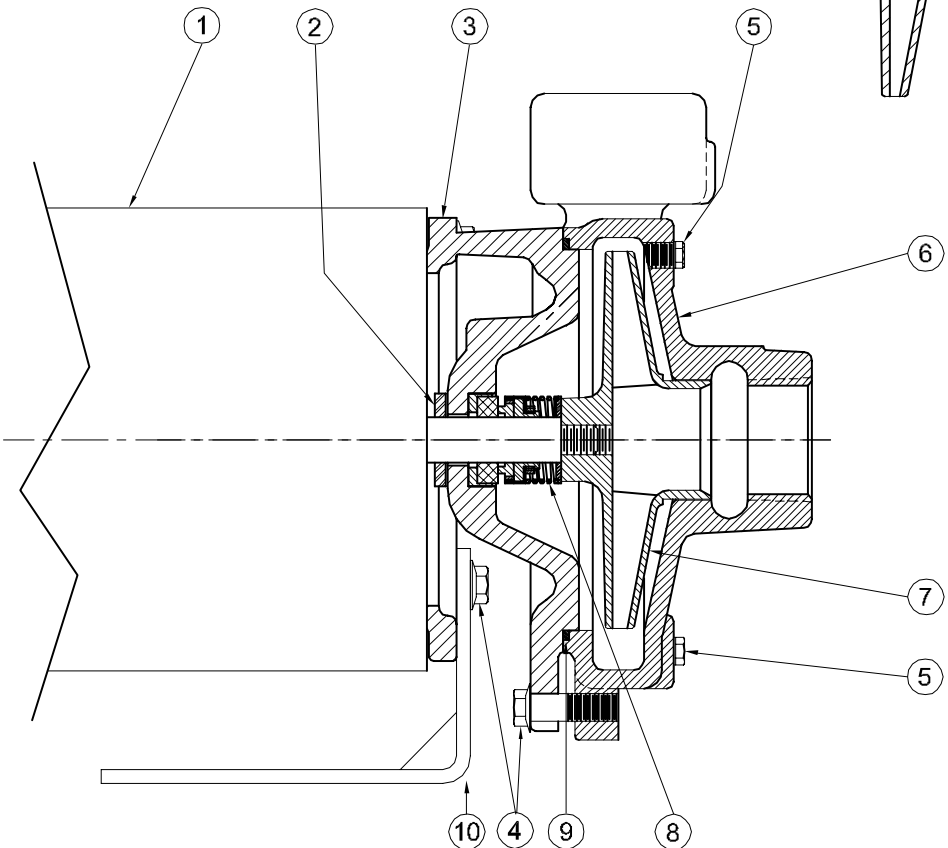
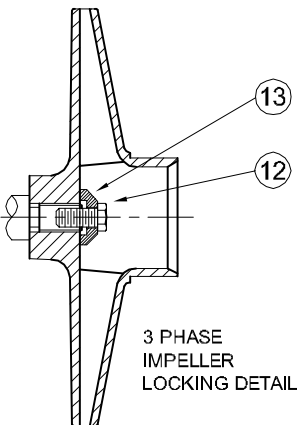


Centrifugals - Close Coupled



| 1 - MOTORS (All 56J Frame) | | | |
|--|---|-------|-----|
| RPM & PHASE | PART NUMBER | HP | |
| OPEN DRIP PROOF | | | |
| 3500 RPM Single Phase (ODP) | 09581 | 1/3 | |
| | 09582 | 1/2 | |
| | 09625 | 3/4 | |
| | 09650 | 1 | |
| | 09675 | 1½ | |
| | 09677 | 2 | |
| 3500 RPM Three Phase (ODP) | 09737 | 3 | |
| | 09661 | 1/3 | |
| | 09662 | 1/2 | |
| | 09652 | 3/4 | |
| | 09653 | 1 | |
| | 09676 | 1½ | |
| 3500 RPM Three Phase (ODP) | 09678 | 2 | |
| | 09738 | 3 | |
| | TOTALLY ENCLOSED | | |
| | 3500 RPM Single Phase (TENV / TEFC) | 09688 | 1/2 |
| | | 09690 | 3/4 |
| | | 09692 | 1 |
| 09774 | | 1½ | |
| 3500 RPM Three Phase (TENV / TEFC) | 09827 | 2 | |
| | 09689 | 1/2 | |
| | 09691 | 3/4 | |
| | 09693 | 1 | |
| | 09758 | 1½ | |
| 3500 RPM Three Phase (TENV / TEFC) | 09829 | 2 | |
| | 21697 | 3 | |
| | EXPLOSION PROOF | | |
| 3500 RPM Single Phase (XP) | 20655 | 1/2 | |
| | 20513 | 3/4 | |
| | 20515 | 1 | |
| | 20517 | 1½ | |
| | 20519 | 2 | |
| 3500 RPM Three Phase (XP) | 20656 | 1/2 | |
| | 20514 | 3/4 | |
| | 20516 | 1 | |
| | 20518 | 1½ | |
| | 20520 | 2 | |
| | 9909 | 3 | |

| SYMBOL NUMBER | PART NUMBER | QTY | DESCRIPTION |
|--|---------------------------|-------------|--|
| 8 | 08514 09762 20764-C | 1 1 1 | Mechanical Seal - Buna-N Mechanical Seal - Viton Mechanical Seal - EPT** |
| 9 | GA5-1-1/4 SERIES | | |
| | 21333 | 1 | O-Ring - Buna-N (Std) |
| | 21546 | 1 | O-Ring - Viton |
| | 22058 | 1 | O-Ring - Teflon |
| | 22132 | 1 | O-Ring - EPT** |
| | GA6-1-1/4 SERIES | | |
| | 22021 | 1 | O-Ring - Buna-N (Std) |
| | 22020 | 1 | O-Ring - Viton |
| | 22102 | 1 | O-Ring - Teflon |
| | 22133 | 1 | O-Ring - EPT** |
| 10 | 22751 | 1 | Bracket |
| 12 | 21182 | 1 | Machine Screw 1/4-28 UNFX x 1/2" |
| 13 | 21181-C | 1 | Washer - Bronze |
| DIFFERING PARTS FOR ALL BRONZE CONSTRUCTION | | | |
| 3 | 22752-A | 1 | Adapter - Bronze - GA5-1¼AB |
| | 22754-A | 1 | Adapter - Bronze - GA6-1¼AB |
| 5 | 01691-A | 2 | Plug 1/8" Bronze |
| 6 | 22766-A | 1 | Casing - Bronze - GA5 -1¼AB |
| | 22767-A | 1 | Casing - Bronze - GA6-1¼AB |
| DIFFERING PARTS FOR ALL IRON CONSTRUCTION | | | |
| 5 | 00158 | 2 | Plug, 1/8-27 NPT |
| 7 | 09680-C | 1 | Impeller - Iron* |
| 13 | 21181-A | 1 | Washer - SS |

(*) Size suffixes same as standard bronze impellers.

(**) For hot water or Caustic service.

| SYMBOL NUMBER | PART NUMBER | QTY | DESCRIPTION | |
|---------------|--|-----|--------------------------------|--|
| 2 | 08105 | 1 | Slinger Washer | |
| 3 | 22752 | 1 | Adapter - GA5-1-1/4 | |
| | 22752-1 | 1 | Tapped - GA5-1-1/4 | |
| | 22754 | 1 | Adapter - GA6-1-1/4 | |
| | 22754-1 | 1 | Tapped - GA6-1-1/4 | |
| 4 | 21236 | 8 | Cap Screw | |
| 5 | 00158 | 2 | Pipe Plug - 1/8" Bronze | |
| 6 | 22766 | 1 | Casing - GA5-1-1/4 | |
| | 22766-1 | 1 | Casing w/Flush Tap - GA5-1-1/4 | |
| | 22767 | 1 | Casing - GA6-1-1/4 | |
| | 22767-1 | 1 | Casing w/Flush Tap - GA6-1-1/4 | |
| 7 | 09680-3.13 | 1 | Impeller, Brass - 3GA5-1-1/4 | |
| | 09680-3.44 | 1 | Impeller, Brass - 5GA5-1-1/4 | |
| | 09680-3.81 | 1 | Impeller, Brass - 7GA5-1-1/4 | |
| | 09680-4.13 | 1 | Impeller, Brass - 10GA5-1-1/4 | |
| | 09680-4.56 | 1 | Impeller, Brass - 15GA5-1-1/4 | |
| | 09680-4.88 | 1 | Impeller, Brass - 20GA5-1-1/4 | |
| | 09680-4.00 | 1 | Impeller, Brass - 10GA6-1-1/4 | |
| | 09680-4.63 | 1 | Impeller, Brass - 15GA6-1-1/4 | |
| | 09680-4.88 | 1 | Impeller, Brass - 20GA6-1-1/4 | |
| | 09680-5.50 | 1 | Impeller, Brass - 30GA6-1-1/4 | |
| | 21363-3.13 | 1 | Impeller, Noryl - 3GA5N-1-1/4 | |
| | 21363-3.47 | 1 | Impeller, Noryl - 5GA5N-1-1/4 | |
| | 21363-3.81 | 1 | Impeller, Noryl - 7GA5N-1-1/4 | |
| | 21363-4.06 | 1 | Impeller, Noryl - 10GA5N-1-1/4 | |
| | 21363-4.50 | 1 | Impeller, Noryl - 15GA5N-1-1/4 | |
| | 21363-4.97 | 1 | Impeller, Noryl - 20GA5N-1-1/4 | |
| | 21363-4.00 | 1 | Impeller, Noryl - 10GA6N-1-1/4 | |
| | 21363-4.63 | 1 | Impeller, Noryl - 15GA6N-1-1/4 | |
| | 21363-5.19 | 1 | Impeller, Noryl - 20GA6N-1-1/4 | |
| | 21363-5.66 | 1 | Impeller, Noryl - 30GA6N-1-1/4 | |
| | Stock Pump catalog numbers shown are for 1 phase units. Use same impellers for 3 phase units. | | | |