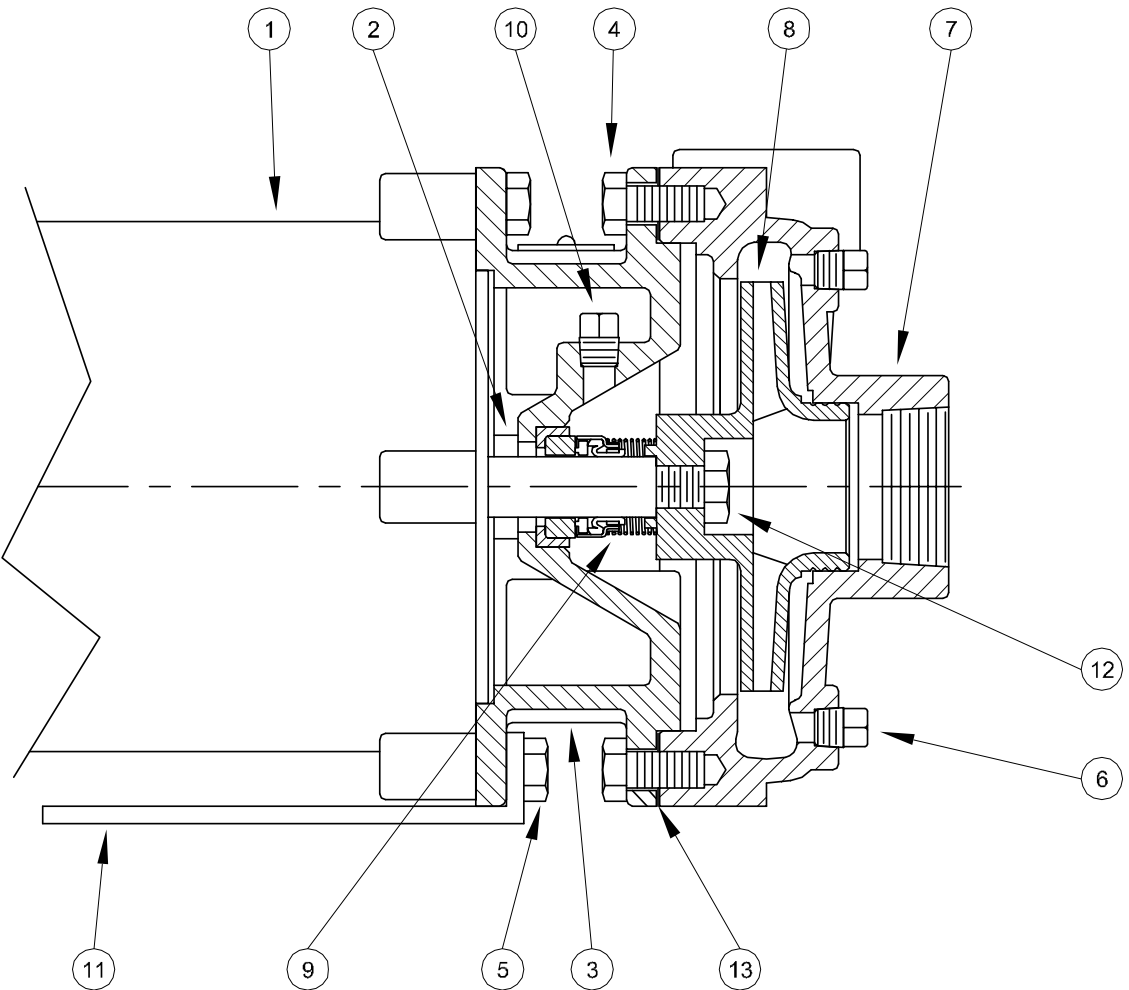


Centrifugals - Close Coupled



| 1 - MOTORS (All 56J Frame) | | | |
|---|----------------------------------|-------|-----|
| RPM & PHASE | PART NUMBER | HP | |
| OPEN DRIP PROOF | | | |
| 3500 RPM Single Phase (ODP) | 09581 | 1/3 | |
| | 09582 | 1/2 | |
| | 09625 | 3/4 | |
| | 09650 | 1 | |
| | 09675 | 1½ | |
| 3500 RPM Three Phase (ODP) | 09677 | 2 | |
| | 09661 | 1/3 | |
| | 09662 | 1/2 | |
| | 09652 | 3/4 | |
| 3500 RPM Three Phase (ODP) | 09653 | 1 | |
| | 09676 | 1½ | |
| | 09678 | 2 | |
| | TOTALLY ENCLOSED | | |
| 3500 RPM Single Phase (TENV / TEFC) | 09688 | 1/2 | |
| | 09690 | 3/4 | |
| | 09692 | 1 | |
| | 09774 | 1½ | |
| 3500 RPM Three Phase (TENV / TEFC) | 09827 | 2 | |
| | 09689 | 1/2 | |
| | 09691 | 3/4 | |
| | 09693 | 1 | |
| 3500 RPM Three Phase (TENV / TEFC) | 09758 | 1½ | |
| | 09829 | 2 | |
| | EXPLOSION PROOF | | |
| | 3500 RPM Single Phase (XP) | 20655 | 1/2 |
| 20513 | | 3/4 | |
| 20515 | | 1 | |
| 20517 | | 1½ | |
| 20519 | | 2 | |
| 3500 RPM Three Phase (XP) | 20656 | 1/2 | |
| | 20514 | 3/4 | |
| | 20516 | 1 | |
| | 20518 | 1½ | |
| | 20520 | 2 | |

| SYMBOL NUMBER | PART NUMBER | QTY | DESCRIPTION |
|---------------|-------------|-----|-----------------|
| 9 | 08514 | 1 | Mechanical Seal |
| 10 | 00158 | 1 | Pipe Plug 1/8" |
| 11 | 0115519 | 1 | Base |
| 12 | 20459 | 1 | Nut |
| 13 | 0115516 | 1 | Case Gasket |

| SYMBOL NUMBER | PART NUMBER | QTY | DESCRIPTION |
|---------------|--------------|-----|---------------------------------------|
| 2 | 08105 | 1 | Slinger Washer |
| 3 | 0115478 | 1 | Adapter |
| 4 | 03122 | 4 | Cap Screw, 3/8-16 x 3/4" Lg |
| 5 | Q15-5-E26 | 4 | Cap Screw, 3/8-16 x 7/8" Lg |
| 6 | 00158 | 4 | Pipe Plug 1/8" |
| 7 | 0115488 | 1 | Casing, GA4-3/4 |
| | 0115490 | 1 | Casing, GA4-1 |
| | 0115492 | 1 | Casing, GA4-1-1/4 |
| | 0115494 | 1 | Casing, GA4-1-1/2 |
| 8 | 0115432-3.75 | 1 | Impeller, Brass, 3GA4 & 33GA4-3/4 |
| | 0115432-4.00 | 1 | Impeller, Brass, 5GA4 & 35GA4-3/4 |
| | 0115432-4.25 | 1 | Impeller, Brass, 7GA4 & 37GA4-3/4 |
| | 0115436-3.25 | 1 | Impeller, Brass, 3GA4 & 33GA4-1 |
| | 0115436-3.75 | 1 | Impeller, Brass, 5GA4 & 35GA4-1 |
| | 0115436-4.00 | 1 | Impeller, Brass, 7GA4 & 37GA4-1 |
| | 0115436-4.25 | 1 | Impeller, Brass, 10GA4 & 310GA4-1 |
| | 0115440-3.25 | 1 | Impeller, Brass, 3GA4 & 33GA4-1-1/4 |
| | 0115440-3.50 | 1 | Impeller, Brass, 5GA4 & 35GA4-1-1/4 |
| | 0115440-3.75 | 1 | Impeller, Brass, 7GA4 & 37GA4-1-1/4 |
| | 0115440-4.00 | 1 | Impeller, Brass, 10GA4 & 310GA4-1-1/4 |
| | 0115440-4.25 | 1 | Impeller, Brass, 15GA4 & 315GA4-1-1/4 |
| | 0115444-3.25 | 1 | Impeller, Brass, 5GA4 & 35GA4-1-1/2 |
| | 0115444-3.50 | 1 | Impeller, Brass, 7GA4 & 37GA4-1-1/2 |
| | 0115444-3.75 | 1 | Impeller, Brass, 10GA4 & 310GA4-1-1/2 |
| | 0115444-4.25 | 1 | Impeller, Brass, 15GA4 & 315GA4-1-1/2 |

CRANE®

PUMPS & SYSTEMS