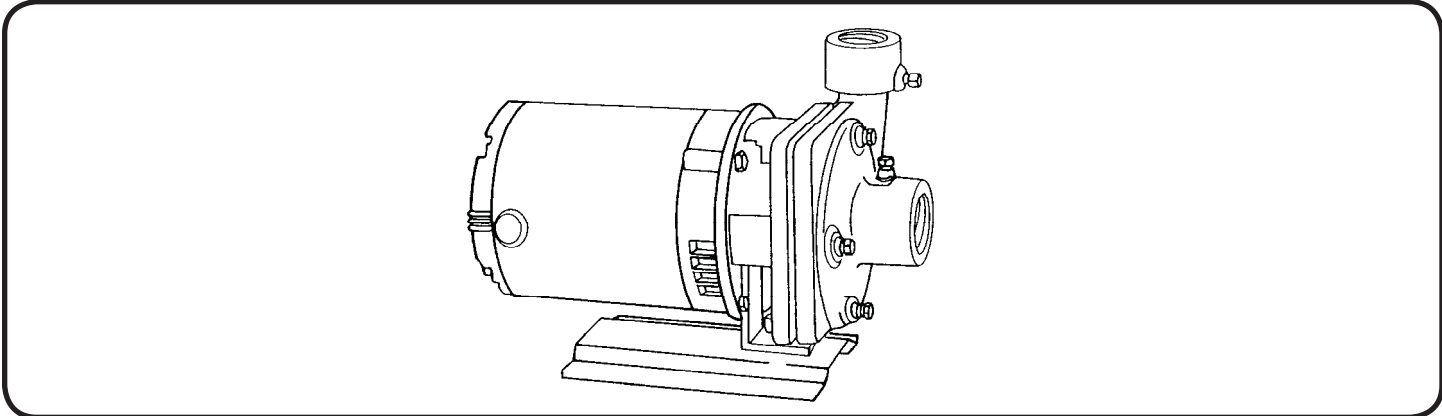
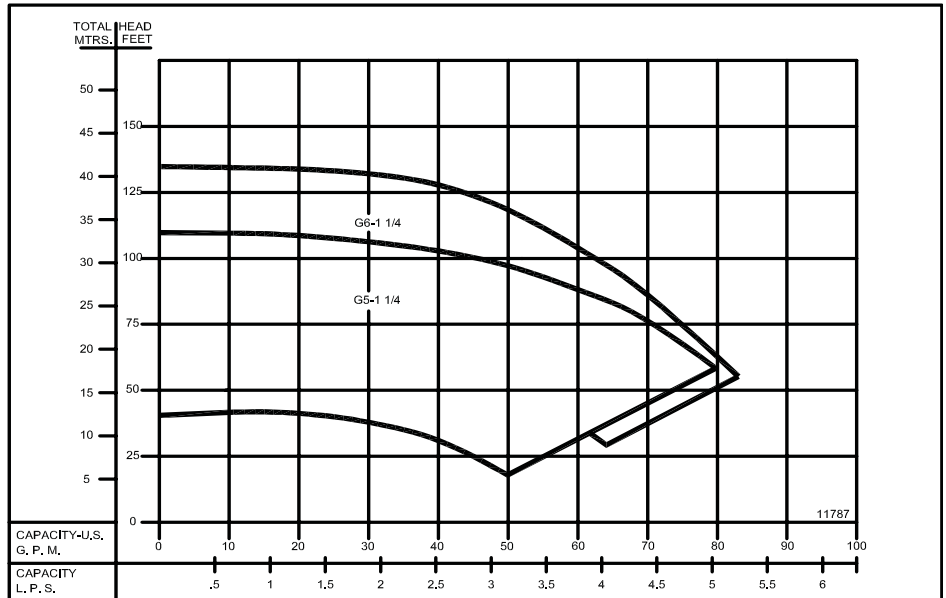


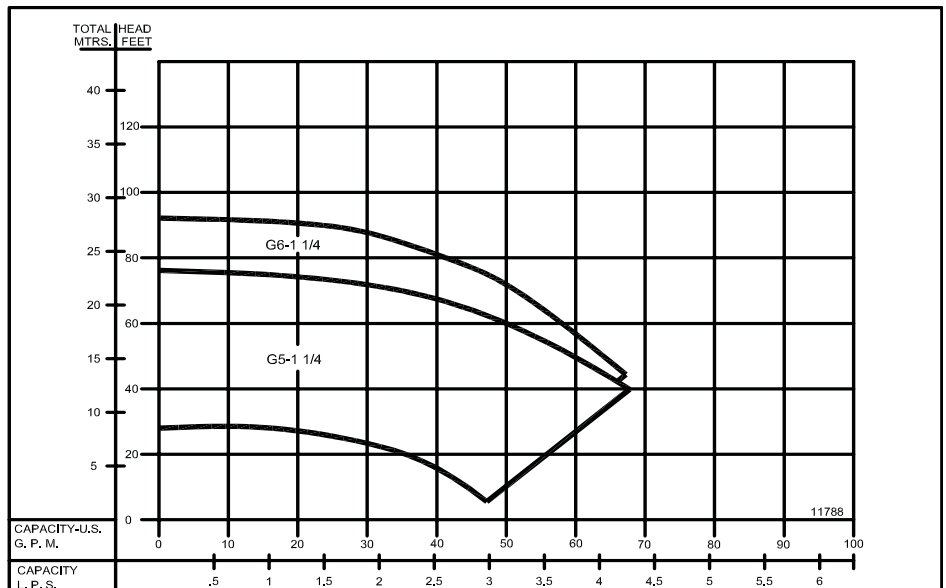
## Close Coupled Centrifugal Pumps



**3500 RPM - 60Hz.**  
 CAPACITIES TO 80 GPM (5 LPS)  
 HEADS TO 135 FEET (41 M)

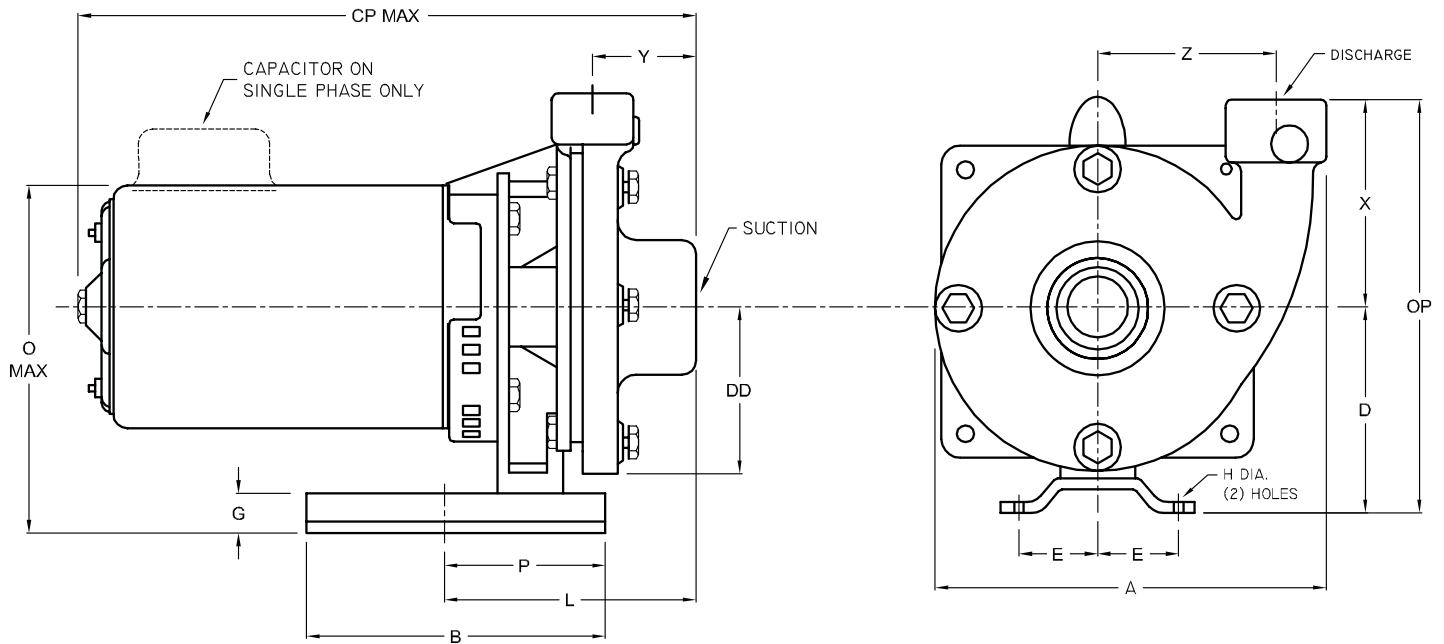


**2900 RPM - 50Hz.**  
 CAPACITIES TO 68 GPM (4.3 LPS)  
 HEADS TO 92 FEET (28 M)





## Close Coupled Centrifugal Pumps



**DIMENSIONS IN INCHES**

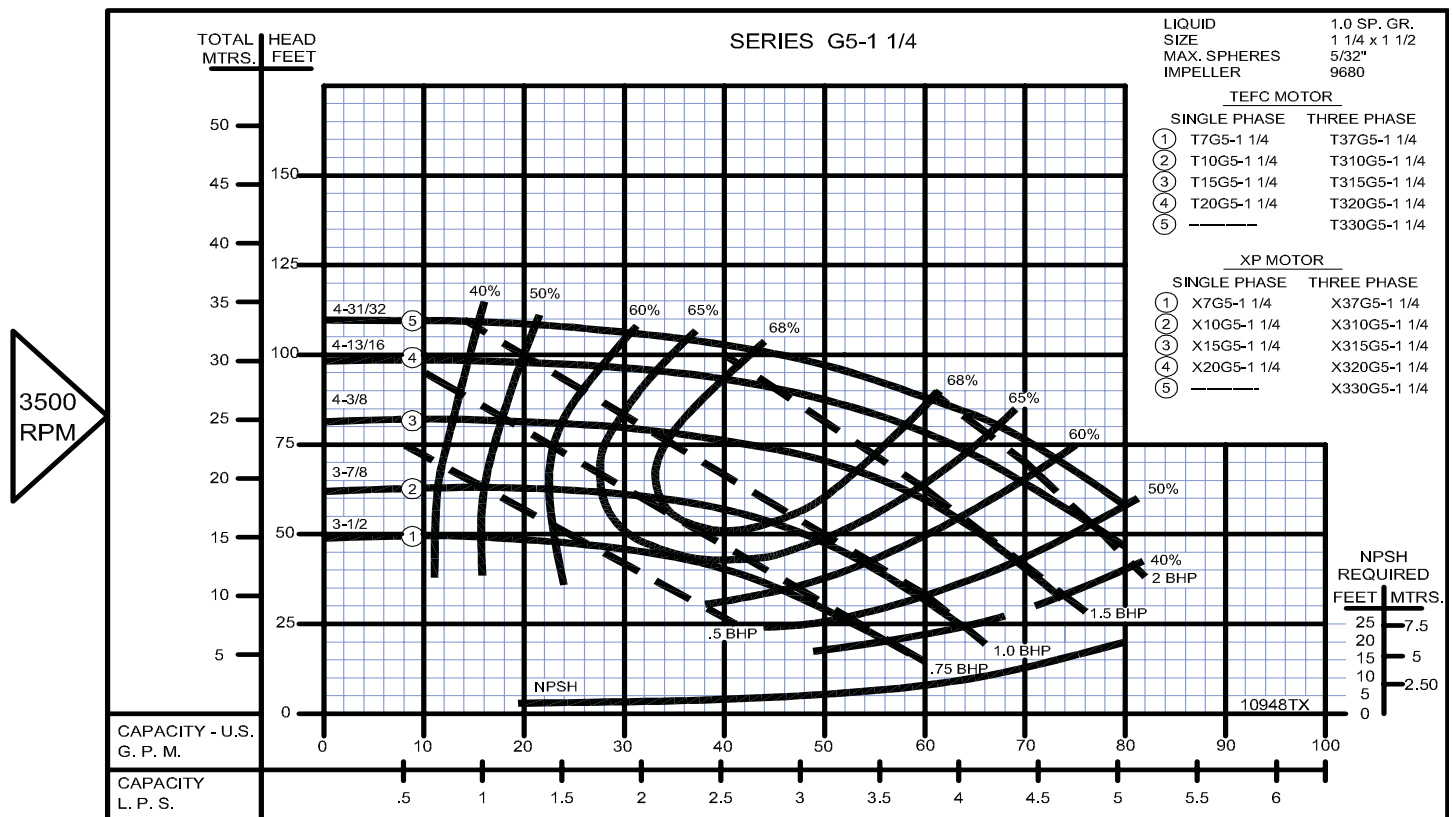
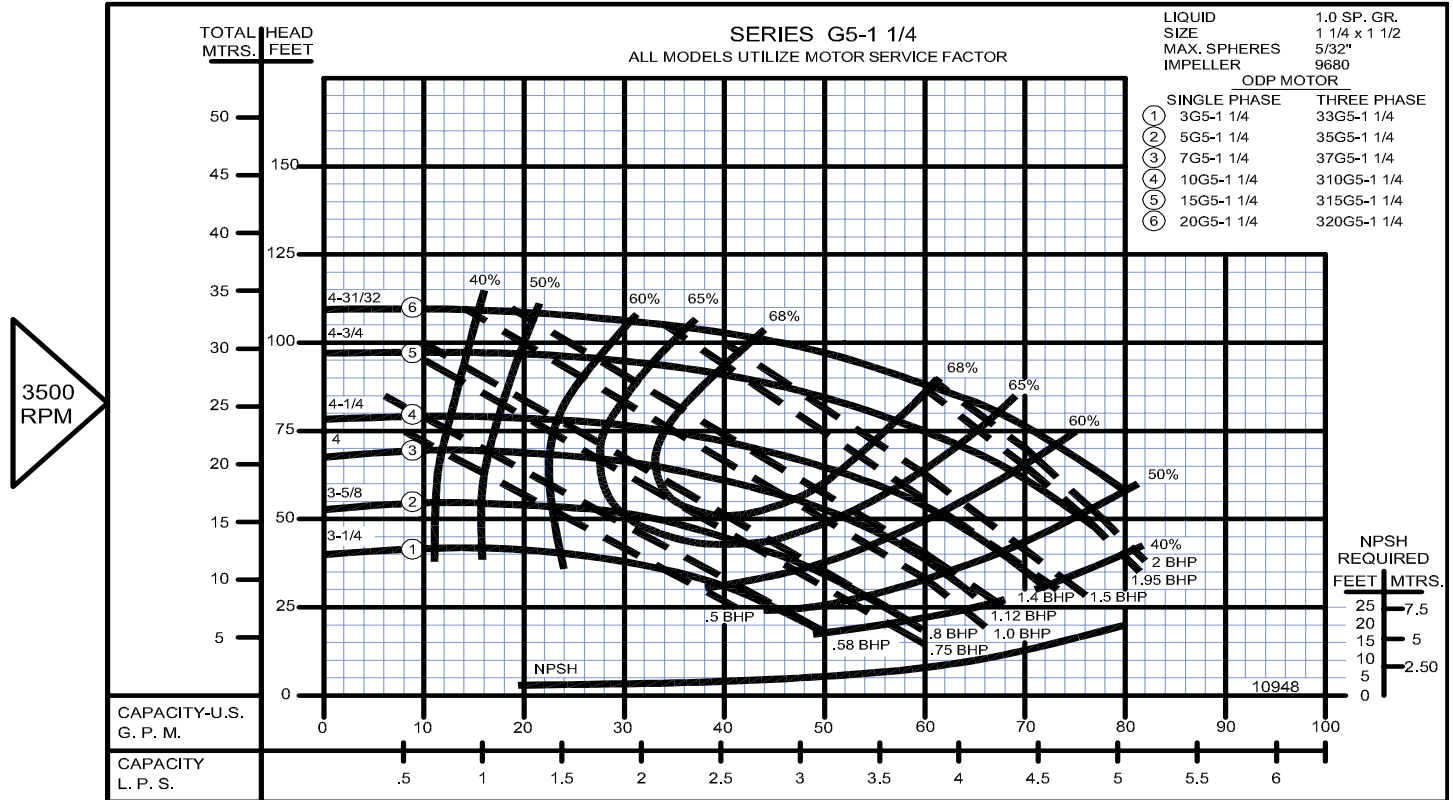
| MODEL | MOTOR FRAME SIZE | DISC NPT (in) | SUCT. NPT (in) | A  | B | CP                             | D  | DD | E                               | G | H                | L                             | O                              | OP                            | P                              | X                               | Y                             | Z                             |
|-------|------------------|---------------|----------------|----|---|--------------------------------|----|----|---------------------------------|---|------------------|-------------------------------|--------------------------------|-------------------------------|--------------------------------|---------------------------------|-------------------------------|-------------------------------|
| G5-1¼ | 56               | 1¼            | 1½             | 7¾ | 8 | 15¾                            | 4¾ | 3¼ | 1 <sup>15</sup> / <sub>16</sub> | ¾ | 9/ <sub>16</sub> | 6 <sup>7</sup> / <sub>8</sub> | 8 <sup>9</sup> / <sub>16</sub> | 9 <sup>3</sup> / <sub>8</sub> | 4 <sup>5</sup> / <sub>16</sub> | 4 <sup>7</sup> / <sub>16</sub>  | 2 <sup>3</sup> / <sub>8</sub> | 3 <sup>3</sup> / <sub>8</sub> |
| G6-1¼ | 56               | 1¼            | 1½             | 8½ | 8 | 15 <sup>7</sup> / <sub>8</sub> | 5¼ | 3¾ | 1 <sup>15</sup> / <sub>16</sub> | ¾ | 9/ <sub>16</sub> | 7¼                            | 9 <sup>1</sup> / <sub>16</sub> | 10                            | 4 <sup>5</sup> / <sub>16</sub> | 4 <sup>11</sup> / <sub>16</sub> | 2½                            | 3¾                            |

**DIMENSIONS IN MILLIMETERS**

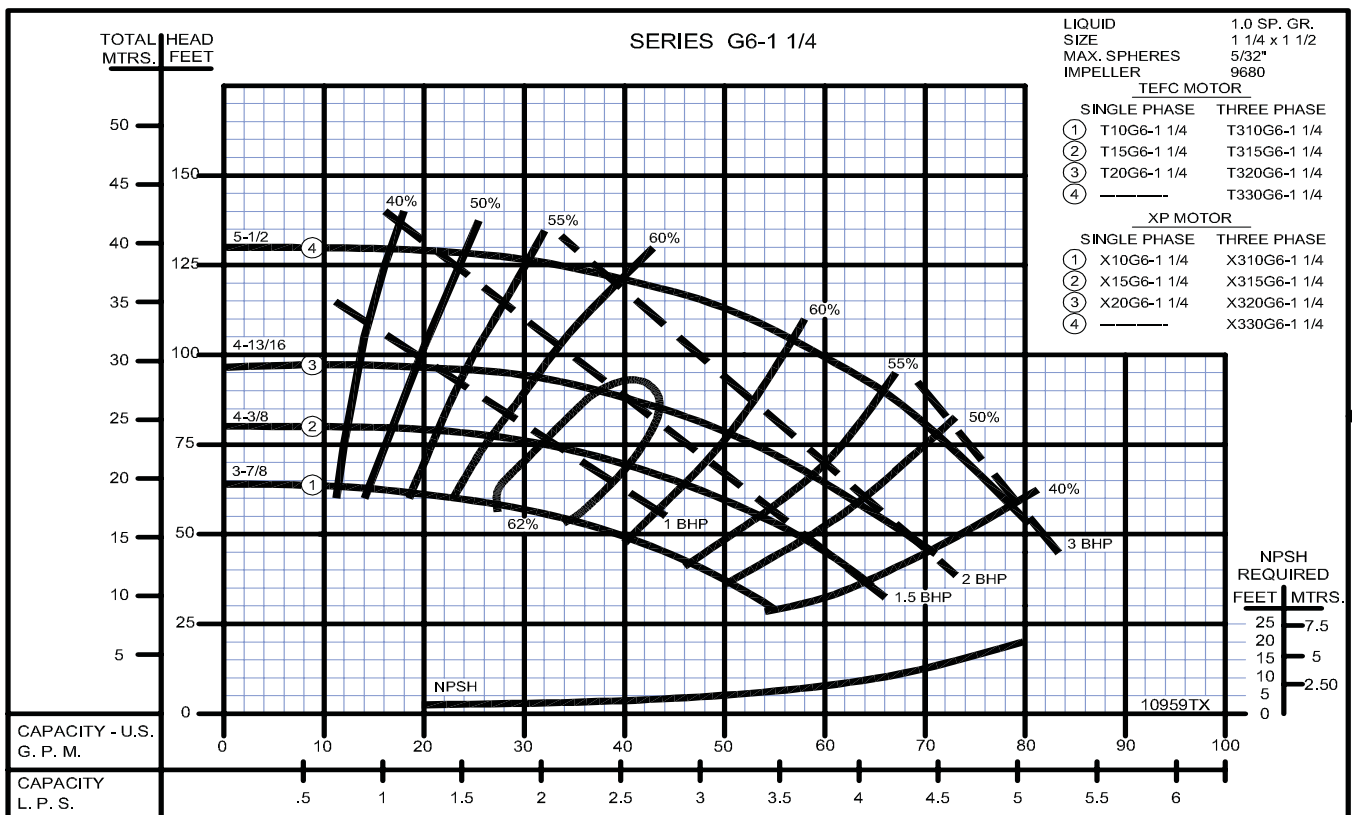
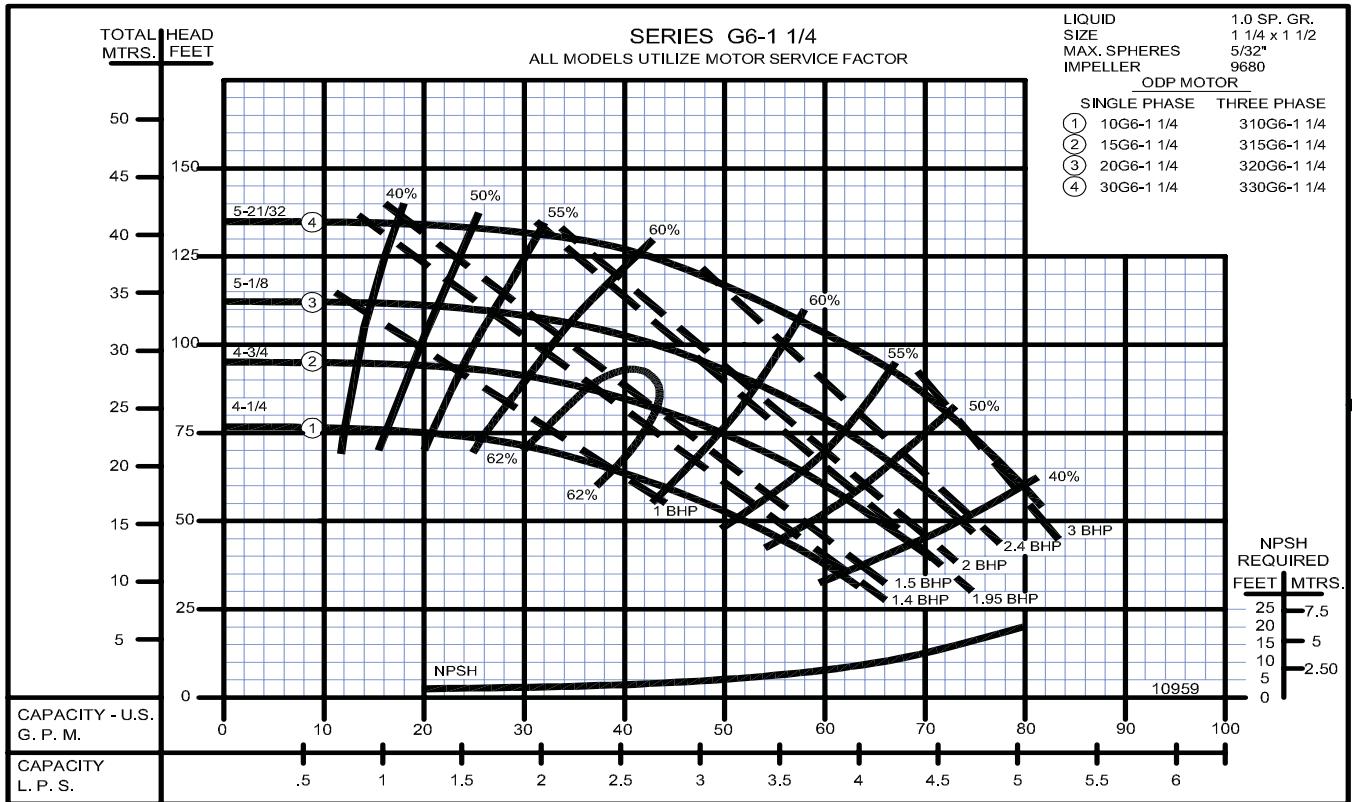
| MODEL | MOTOR FRAME SIZE | DISC NPT (in) | SUCT. NPT (in) | A   | B   | CP  | D   | DD | E  | G  | H  | L   | O   | OP  | P   | X   | Y  | Z  |
|-------|------------------|---------------|----------------|-----|-----|-----|-----|----|----|----|----|-----|-----|-----|-----|-----|----|----|
| G5-1¼ | 56               | 1¼            | 1½             | 197 | 203 | 400 | 121 | 83 | 49 | 19 | 14 | 175 | 217 | 238 | 109 | 113 | 60 | 86 |
| G6-1¼ | 56               | 1¼            | 1½             | 216 | 203 | 403 | 133 | 95 | 49 | 19 | 14 | 184 | 230 | 254 | 109 | 119 | 64 | 95 |

DIMENSIONS SHOWN ABOVE ARE APPROXIMATE MAXIMUM DIMENSIONS FOR STANDARD PUMPS EQUIPPED WITH ODP MOTORS.

**Close Coupled Centrifugal Pumps**

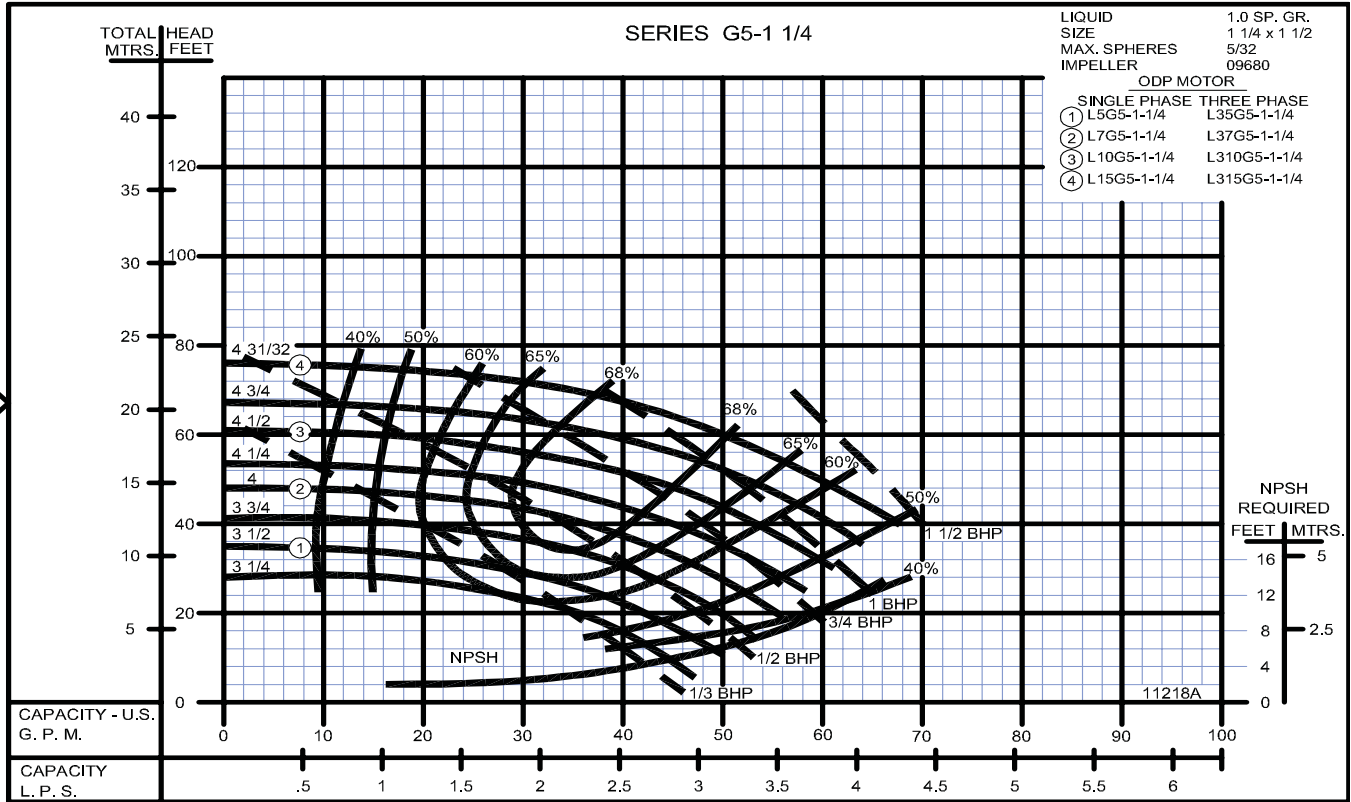


### Close Coupled Centrifugal Pumps

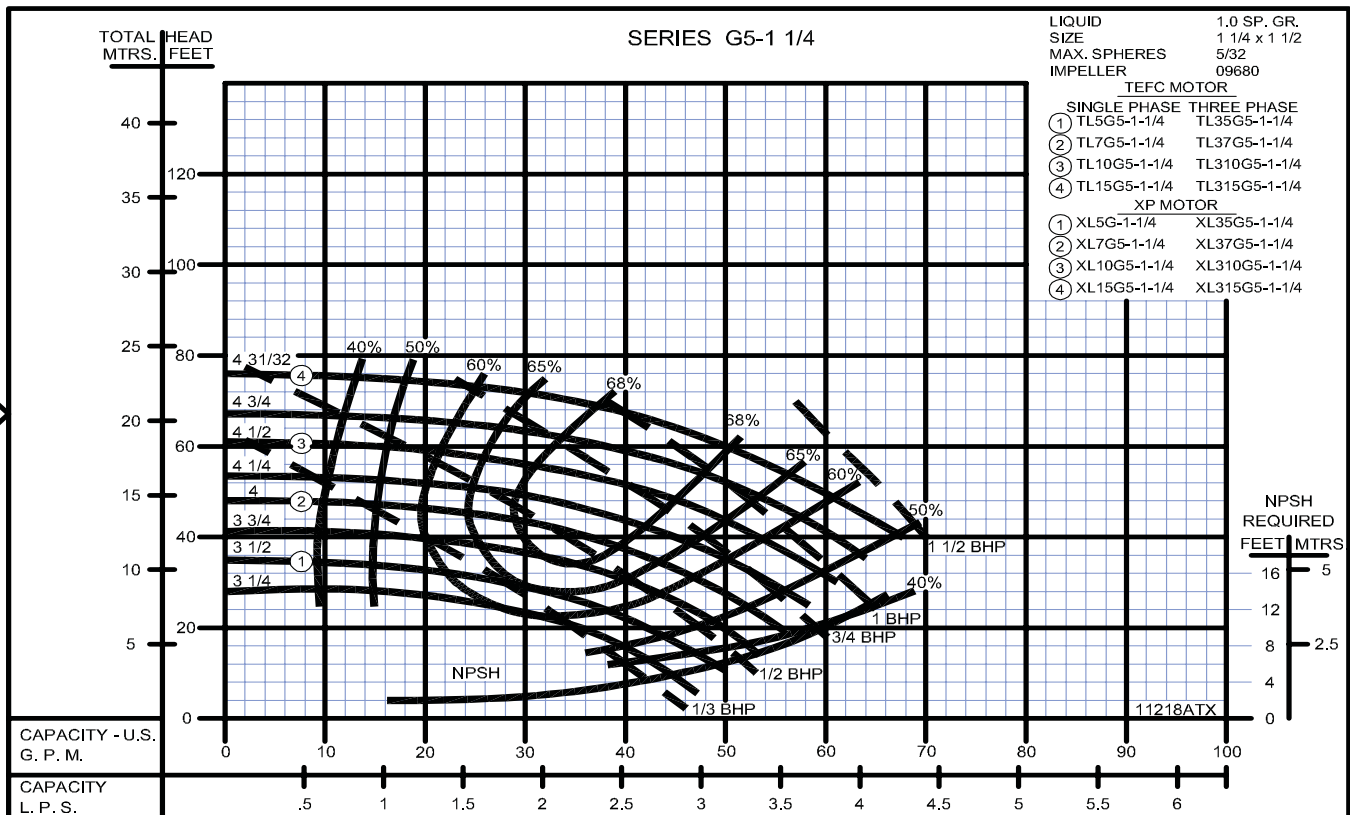


**Close Coupled Centrifugal Pumps**

2900 RPM



2900 RPM



## Close Coupled Centrifugal Pumps

