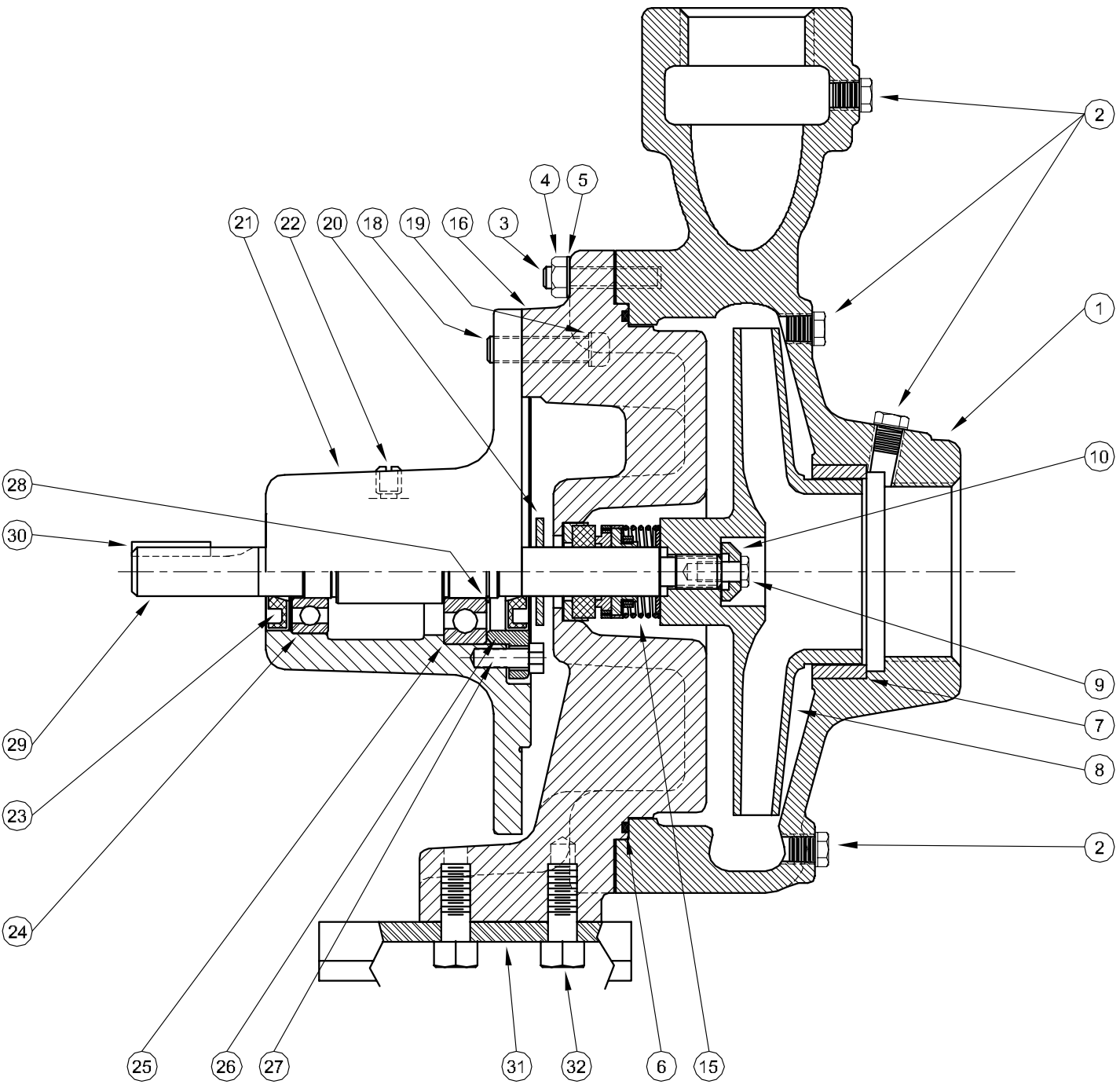


Series: GNA6-1-1/2

**BURK'S**<sup>®</sup>  
www.cranepumps.com

*Centrifugals - Base Mounted*



SECTION CBMP  
PAGE 46  
DATE 2/05

**CRANE**<sup>®</sup>

A Crane Co. Company

**PUMPS & SYSTEMS**

USA: (937) 778-8947 • Canada: (905) 457-6223 • International: (937) 615-3598

SYMBOL NUMBER	PART NUMBER	QTY	DESCRIPTION
<b>DIFFERING PARTS FOR ALL BRONZE CONSTRUCTION</b>			
++ 1	22150-A	1	Casing Assy
4	05536	8	Nut
5	01609-B	8	Washer
16	20588-A	1	Adapter
32	03289	2	Cap Screw
33	20056	2	Washer
<b>DIFFERING PARTS FOR ALL IRON CONSTRUCTION</b>			
++ 1	22150-B	1	Casing Assy
2	00158	6	Pipe Plug - 1/8"
7	09915-A	1	Wear Ring
* 8	20975-A	1	Impeller
10	21181-A	1	Washer - SS

(\*) Specific impeller diameter is identified by the last 3 digits of the Pump Catalog Number. To order correct impeller, this 3 digit suffix must be added to basic impeller number listed above. EXAMPLE: For Pump Catalog No. GNA6-1-1/2-5.25, Order Impeller Part No. 20975-5.25.

(\*\*) For hot water or Caustic service.

(+) Series GNA6-1-1/2 pumps have been manufactured with either flat or O-ring type gaskets. Standardize on flat gaskets.

(++) Includes Symbols 2, 3 & 7.

SYMBOL NUMBER	PART NUMBER	QTY	DESCRIPTION
++ 1	22150	1	Casing Assy
2	01691-A	6	Plug - 1/8" Pipe - Bronze
3	03075	8	Stud
4	15-23-6	8	Nut
5	01609-A	8	Washer
+ 6	09916	1	Flat Gasket +
7	09915	1	Wear Ring
* 8	20975	1	Impeller
9	21182	1	Screw - SS
10	21181-C	1	Washer - Bronze
15	08514	1	Mechanical Seal - Buna-N (Std)
	09762	1	Mechanical Seal - Viton
	20764	1	Mechanical Seal - EPT**
16	20588	1	Adapter
18	20607-A	4	Screw
19	08990	1	Gasket
20	08105	1	Slinger Washer
21	20972	1	Bearing Housing
22	01691	1	Plug
23	20997	2	Seal
24	00629	1	Bearing - outboard
25	21000	1	Bearing - inboard
26	20973	1	Cover, Inboard Bearing
27	03121	2	Screw
28	085326	1	Retaining Ring
29	20974	1	Shaft
30	01420	1	Key
31	21060	1	Base
32	01928	2	Cap Screw
33	03503	2	Washer
	21061	1	Power Frame Assy. (Includes Symbol Numbers 20 thru 30)