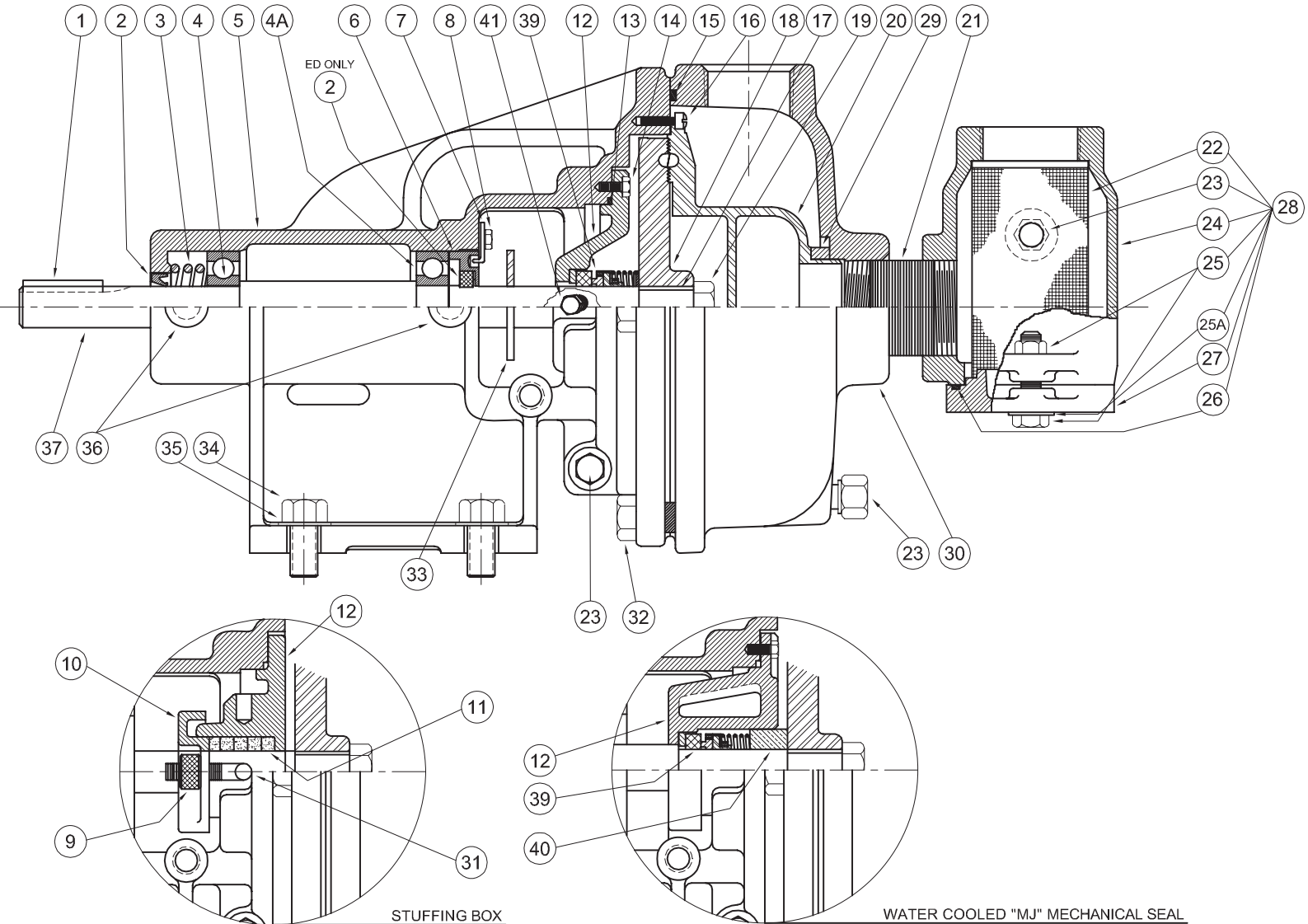


Turbines - Base Mounted



| SYMBOL NUMBER | PART NUMBER | QTY   | DESCRIPTION              |
|---------------|-------------|-------|--------------------------|
| 18            | SA07215     | 1     | Impeller - 1/4" - EC4    |
|               | SA02034     | 1     | Impeller - 5/16" - EC5   |
|               | SA07216     | 1     | Impeller - 3/8" - EC6    |
|               | SA01806     | 1     | Impeller - 7/16" - EC7   |
|               | SA01807     | 1     | Impeller - 1/2" - EC8    |
|               | SA02545     | 1     | Impeller - 9/16" - EC9   |
|               | SA01477     | 1     | Impeller - 5/8" - EC10   |
|               | SA07217     | 1     | Impeller - 1/2" - ED8    |
|               | SA05600     | 1     | Impeller - 9/16" - ED9   |
|               | SA05237     | 1     | Impeller - 5/8" - ED10   |
|               | SA07218     | 1     | Impeller - 11/16" - ED11 |
|               | SA05582     | 1     | Impeller - 3/4" - ED12   |
|               | SA07219     | 1     | Impeller - 7/8" - ED14   |
|               | 19          | 01404 | 1                        |
| 05037         |             | 1     | Locknut, Impeller - ED   |
| 20            | 07203       | 1     | Raceway - 1/4" - EC4     |
|               | 07204       | 1     | Raceway - 5/16" - EC5    |
|               | 07205       | 1     | Raceway - 3/8" - EC6     |
|               | 07206       | 1     | Raceway - 7/16" - EC7    |
|               | 07207       | 1     | Raceway - 1/2" - EC8     |
|               | 07208       | 1     | Raceway - 9/16" - EC9    |
|               | 07209       | 1     | Raceway - 5/8" - EC10    |
|               | 05603       | 1     | Raceway - 1/2" - ED8     |
|               | 05604       | 1     | Raceway - 9/16" - ED9    |
|               | 07210       | 1     | Raceway - 5/8" - ED10    |
|               | 05529       | 1     | Raceway - 11/16" ED11    |
|               | 05583       | 1     | Raceway - 3/4" - ED12    |
|               | 05585       | 1     | Raceway - 7/8" - ED14    |
|               | 21          | 02866 | 1                        |
| 22            | 05540       | 1     | Nipple - ED              |
|               | 01407       | 1     | Screen - EC              |
| 23            | 04646       | 1     | Screen - ED              |
|               | 04236       | 4     | Plug                     |
| 24            | 05514       | 1     | Body Strainer - EC       |
|               | 05380       | 1     | Body Strainer - ED       |
| 25            | 08683       | 2     | Bolt w/Nut - EC          |
|               | 05383       | 2     | Bolt w/Nut - ED          |
| 25A           | 01609-A     | 2     | Washer - EC              |
|               | 01609-B     | 2     | Washer - EC              |
|               | 002553      | 2     | Washer - ED              |
|               | 082209      | 2     | Washer - ED              |

NOTE 1: Impeller and Raceways **must** be ordered as a set. NOT available individually.

"CONTINUED ON NEXT PAGE"

| SYMBOL NUMBER | PART NUMBER | QTY | DESCRIPTION                              |
|---------------|-------------|-----|--|
| 1             | 01420       | 1   | Key - EC                                 |
|               | 03234       | 1   | Key - ED                                 |
| 2             | 20939       | 1   | Oil Seal - EC                            |
|               | 21332       | 2   | Oil Seal - ED                            |
|               | 20922       | 1   | Spring - EC                              |
| 3             | 21373       | 1   | Spring - ED                              |
|               | 21463       | 1   | Bearing - EC                             |
| 4             | 21473       | 1   | Bearing - ED                             |
|               | 21463       | 1   | Bearing - EC                             |
| 4A            | 625-00719   | 1   | Bearing - ED                             |
|               | 21302       | 1   | Housing, Bearing - EC                    |
| 5             | 21325       | 1   | Housing, Bearing - ED                    |
|               | 09781       | 1   | Adjusting Screw - EC                     |
| 6             | 21323       | 1   | Adjusting Screw - ED                     |
|               | 07576       | 1   | Lock, Adjusting Screw                    |
| 7             | 07577       | 1   | Screw                                    |
| 8             | 04211       | 2   | Nut                                      |
| 9             | 05812-B     | 1   | Gland, Stuffing Box - EC                 |
|               | 04643       | 1   | Gland, Stuffing Box - ED                 |
| 10            | 05468       | 5   | Packing - EC                             |
|               | 05539       | 6   | Packing - ED                             |
| 11            | 21306       | 1   | Housing, Stuffing Box - EC               |
|               | 21319       | 1   | Housing, Stuffing Box - ED               |
| 12            | 21308       | 1   | Housing, Mechanical Seal - EC            |
|               | 21320       | 1   | Housing, Mechanical Seal - ED            |
|               | 21309       | 1   | Housing, Water Cooled Mech. Seal - EC-MJ |
| 12            | 21318       | 1   | Housing, Water Cooled Mech. Seal - ED-MJ |
|               | 21337       | 1   | Gasket, Housing - Buna-N - EC (Std)      |
| 13            | 21547       | 1   | Gasket, Housing - Viton - EC             |
|               | 22131       | 1   | Gasket, Housing - EPT - EC               |
| 13            | 22057       | 1   | Gasket, Housing - Teflon - EC-MJ         |
|               | 21333       | 1   | Gasket, Housing - Buna-N - ED (Std)      |
| 13            | 21546       | 1   | Gasket, Housing - Viton - ED             |
|               | 22132       | 1   | Gasket, Housing - EPT - ED               |
| 13            | 22058       | 1   | Gasket, Housing - Teflon - ED-MJ         |
|               | 21339       | 6   | Screw                                    |
| 14            | 21338       | 1   | Gasket, Case - Buna-N - EC (Std)         |
|               | 21548       | 1   | Gasket, Case - Viton - EC                |
| 15            | 22136       | 1   | Gasket, Case - EPT - EC                  |
|               | 22059       | 1   | Gasket, Case - Teflon - EC-MJ            |
| 15            | 21328       | 1   | Gasket, Case - Buna-N - ED (Std)         |
|               | 21545       | 1   | Gasket, Case - Viton - ED                |
| 15            | 22137       | 1   | Gasket, Case - EPT - ED                  |
|               | 22060       | 1   | Gasket, Case - Teflon - ED-MJ            |
| 16            | 04227       | 2   | Screw                                    |
| 17            | 21748-A     | 1   | Key - EC                                 |
|               | 21749-A     | 1   | Key - ED                                 |

## Turbines - Base Mounted

| SYMBOL NUMBER                                      | PART NUMBER | QTY | DESCRIPTION                              |
|--|-------------|-----|--|
| 40   | 21353       | 1   | Shaft Sleeve - EC-MJ                     |
|  | 21352       | 1   | Shaft Sleeve - ED-MJ                     |
|  | 01691-A     | 1   | Plug 1/8"                                |
|  | 21549       | 1   | Power Frame Assy - EC                    |
|  | 21551       | 1   | Power Frame Assy - ED                    |
| <b>DIFFERING PARTS FOR ALL BRONZE CONSTRUCTION</b> |             |     |  |
| 5  | 21302-A     | 1   | Housing, Bearing - EC                    |
|  | 21325-A     | 1   | Housing, Bearing - ED                    |
| 12   | 21306-A     | 1   | Housing, Stuffing Box - EC               |
|  | 21319-A     | 1   | Housing, Stuffing Box - ED               |
|  | 21308-A     | 1   | Housing, Mech. Seal - EC                 |
|  | 21320-A     | 1   | Housing, Mech. Seal - ED                 |
|  | 21309-A     | 1   | Housing, Water-Cooled Mech. Seal - EC-MJ |
|  | 21318-A     | 1   | Housing, Water-Cooled Mech. Seal - ED-MJ |
| 21   | 07277       | 1   | Nipple - EC                              |
| 28   | 05538       | 1   | Nipple - ED                              |
|  | 07183-A     | 1   | Strainer Assy - EC                       |
| 30   | 07184-A     | 1   | Strainer Assy - ED                       |
|  | 21304-A     | 1   | Case - EC                                |
| 32   | 21317-A     | 1   | Case - ED                                |
|  | 08771       | 6   | Cap Screw - EC (SS)                      |
|  | 03106-A     | 6   | Cap Screw - ED                           |
|  | 21550       | 1   | Power Frame Assy - EC                    |
|  | 21552       | 1   | Power Frame Assy - ED                    |

| SYMBOL NUMBER | PART NUMBER | QTY   | DESCRIPTION                                  |
|---------------|-------------|-------|--|
| 26            | 21732       | 1     | Gasket, Strainer - Buna-N - EC (Std)         |
|               | 21733       | 1     | Gasket, Strainer - Viton - EC                |
|               | 22130       | 1     | Gasket, Strainer - EPT - EC                  |
|               | 22056       | 1     | Gasket, Strainer - Teflon - EC-MJ            |
|               | 21337       | 1     | Gasket, Strainer - Buna-N - ED (Std)         |
|               | 21547       | 1     | Gasket, Strainer - Viton - ED                |
|               | 22131       | 1     | Gasket, Strainer - EPT - ED                  |
|               | 22057       | 1     | Gasket, Strainer - Teflon - ED-MJ            |
|               | 05125       | 1     | Cap - EC                                     |
|               | 05381       | 1     | Cap - ED                                     |
| 27            | 07183       | 1     | Strainer Assy - EC                           |
|               | 07184       | 1     | Strainer Assy - ED                           |
|               | 04231       | 1     | Suction Sleeve - Buna-N - EC (Std)           |
| 28            | 09695       | 1     | Suction Sleeve - Viton - EC                  |
|               | 20285       | 1     | Suction Sleeve - EPT - EC                    |
|               | 22100       | 1     | Suction Sleeve - Teflon - EC-MJ              |
|               | 09853       | 1     | Retainer, Suction Sleeve - EC-MJ (Not Shown) |
|               | 04652       | 1     | Suction Sleeve - Buna-N - ED (Std)           |
|               | 09844       | 1     | Suction Sleeve - Viton - ED                  |
|               | 22222       | 1     | Suction Sleeve - EPT - ED                    |
|               | 22061       | 1     | Suction Sleeve - Teflon - ED-MJ              |
|               | 22062       | 1     | Retainer, Suction Sleeve - ED-MJ (Not Shown) |
|               | 30          | 21304 | 1  |
| 21317         |             | 1     | Case - ED                                    |
| 31            | 07003       | 2     | Gland Bolt                                   |
| 32            | 01931       | 6     | Cap Screw - EC                               |
|               | 03106       | 6     | Cap Screw - ED                               |
| 33            | 08324       | 1     | Slinger Washer - EC                          |
|               | 02831       | 1     | Slinger Washer - ED                          |
| 34            | 1-68-6      | 4     | Cap Screw                                    |
|               | 20059       | 4     | Washer                                       |
| 35            | 01691       | 2     | Pipe Plug, 1/8"                              |
|               | 20921       | 1     | Shaft - EC                                   |
| 36            | 21324       | 1     | Shaft - ED                                   |
|               | 08991       | 1     | Mechanical Seal - Buna-N - EC (Std)          |
| 37            | 09813-C     | 1     | Mechanical Seal - Viton - EC                 |
|               | 21934       | 1     | Mechanical Seal - EPT - EC                   |
|               | 20499-C     | 1     | Mechanical Seal - Viton/Ni-Resist - EC-MJ    |
|               | 21942       | 1     | Mechanical Seal - Buna-N - ED (Std)          |
| 38            | 21943       | 1     | Mechanical Seal - Viton - ED                 |
|               | 21935       | 1     | Mechanical Seal - EPT - ED                   |
|               | 21857       | 1     | Mechanical Seal - Viton/Ni-Resist - ED-MJ    |
|               |             |       |  |

SECTION TBMP  
PAGE 90  
DATE 2/05

**CRANE**

A Crane Co. Company

**PUMPS & SYSTEMS**

USA: (937) 778-8947 • Canada: (905) 457-6223 • International: (937) 615-3598