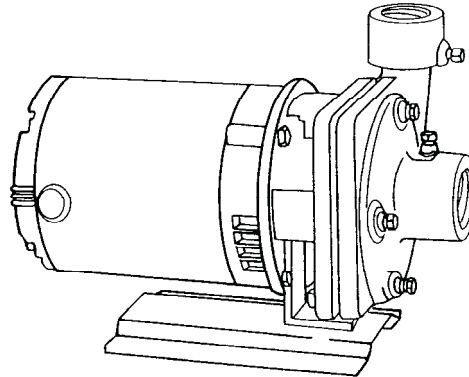
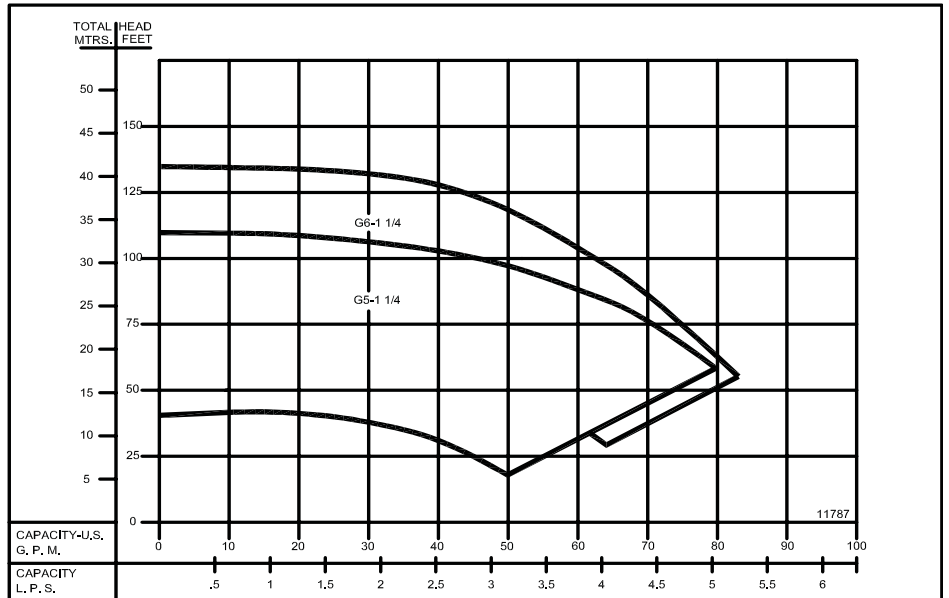


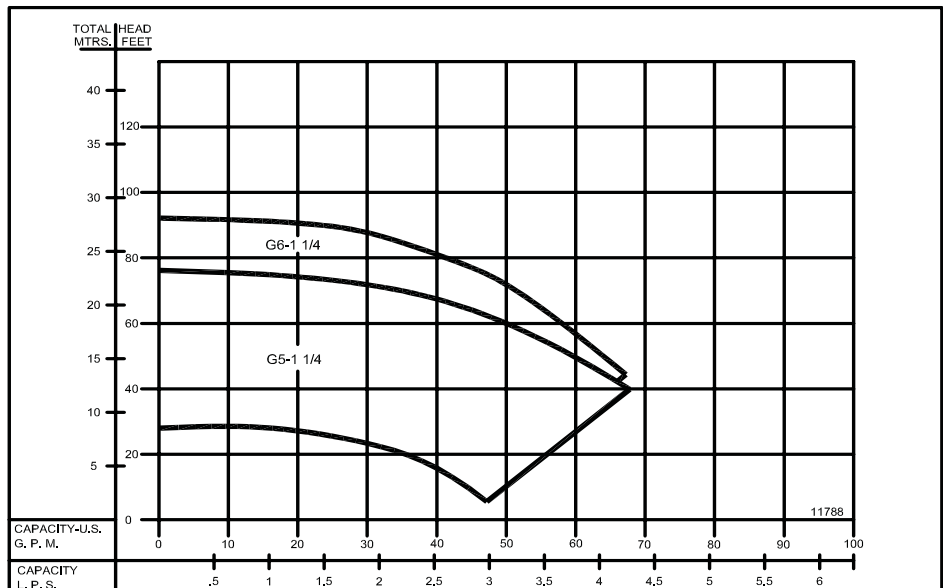
## Close Coupled Centrifugal Pumps



**3500 RPM - 60Hz.**  
 CAPACITIES TO 80 GPM (5 LPS)  
 HEADS TO 135 FEET (41 M)

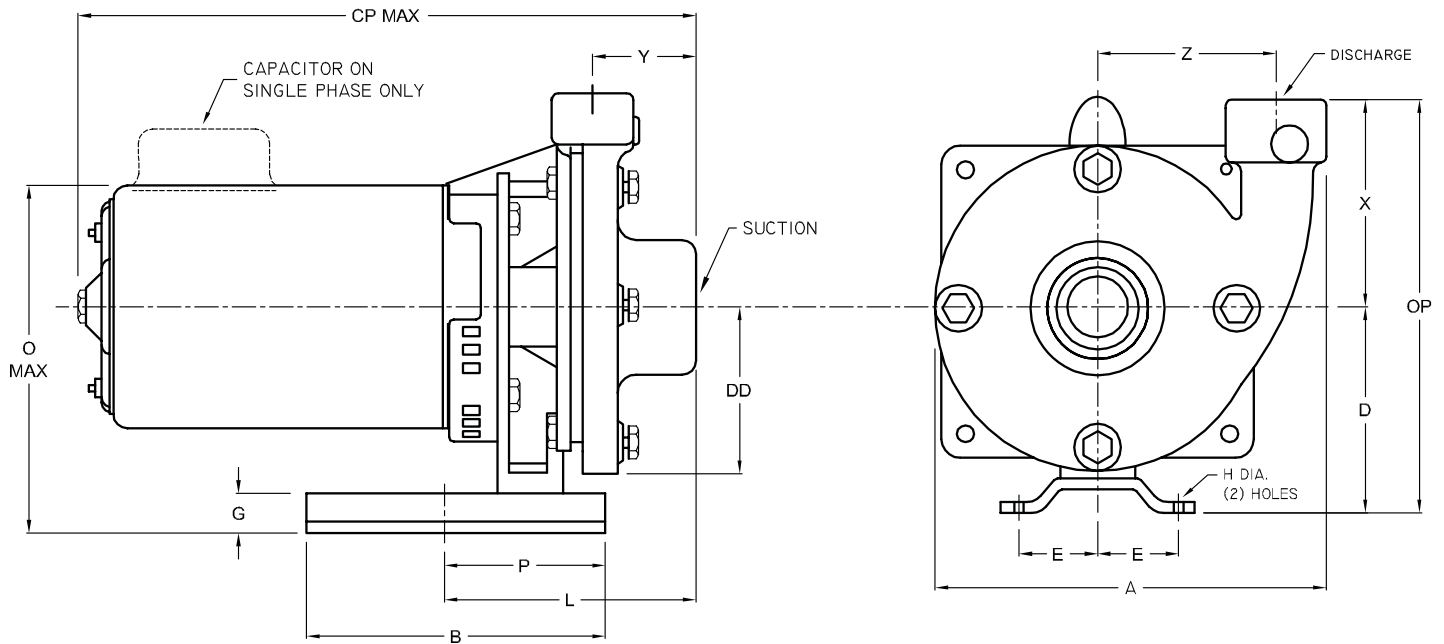


**2900 RPM - 50Hz.**  
 CAPACITIES TO 68 GPM (4.3 LPS)  
 HEADS TO 92 FEET (28 M)





### Close Coupled Centrifugal Pumps



**DIMENSIONS IN INCHES**

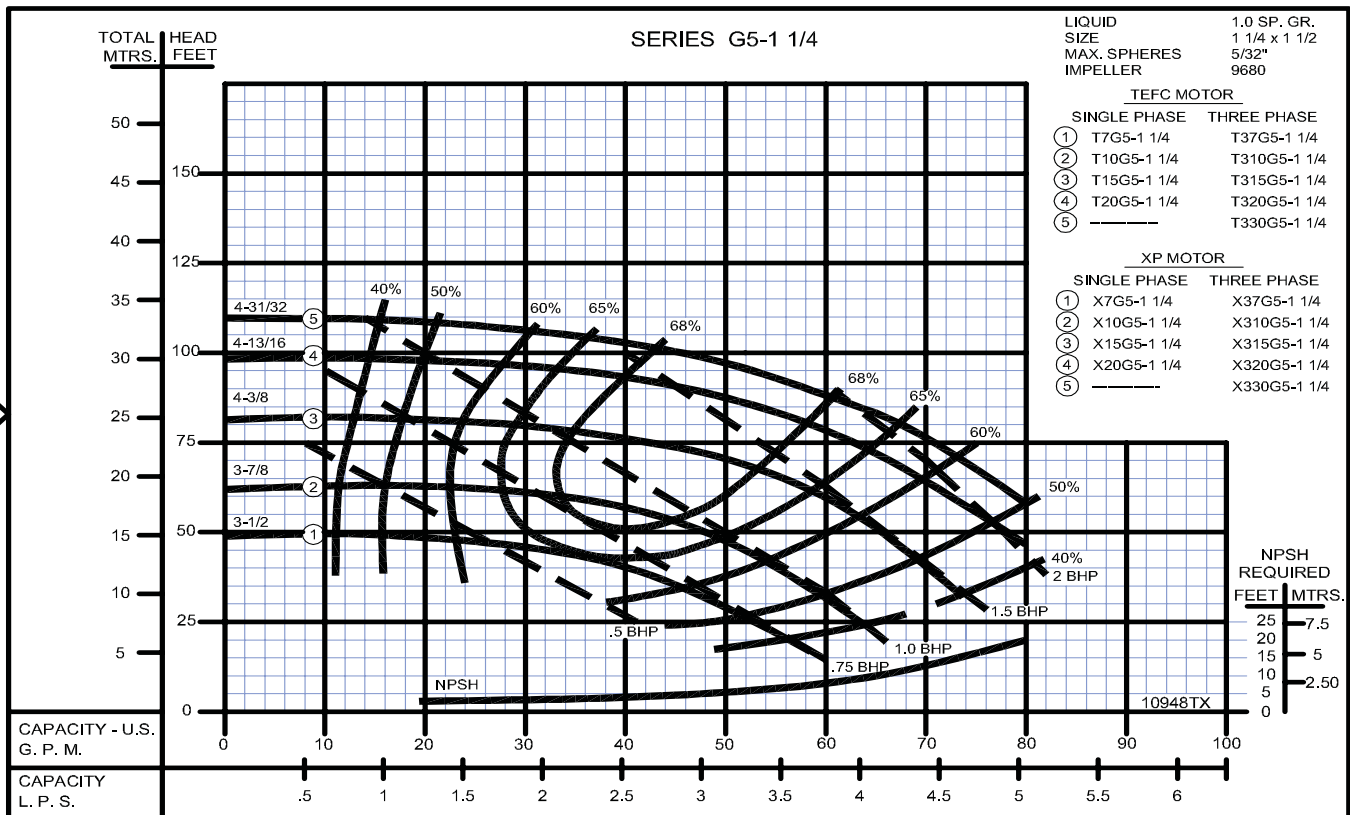
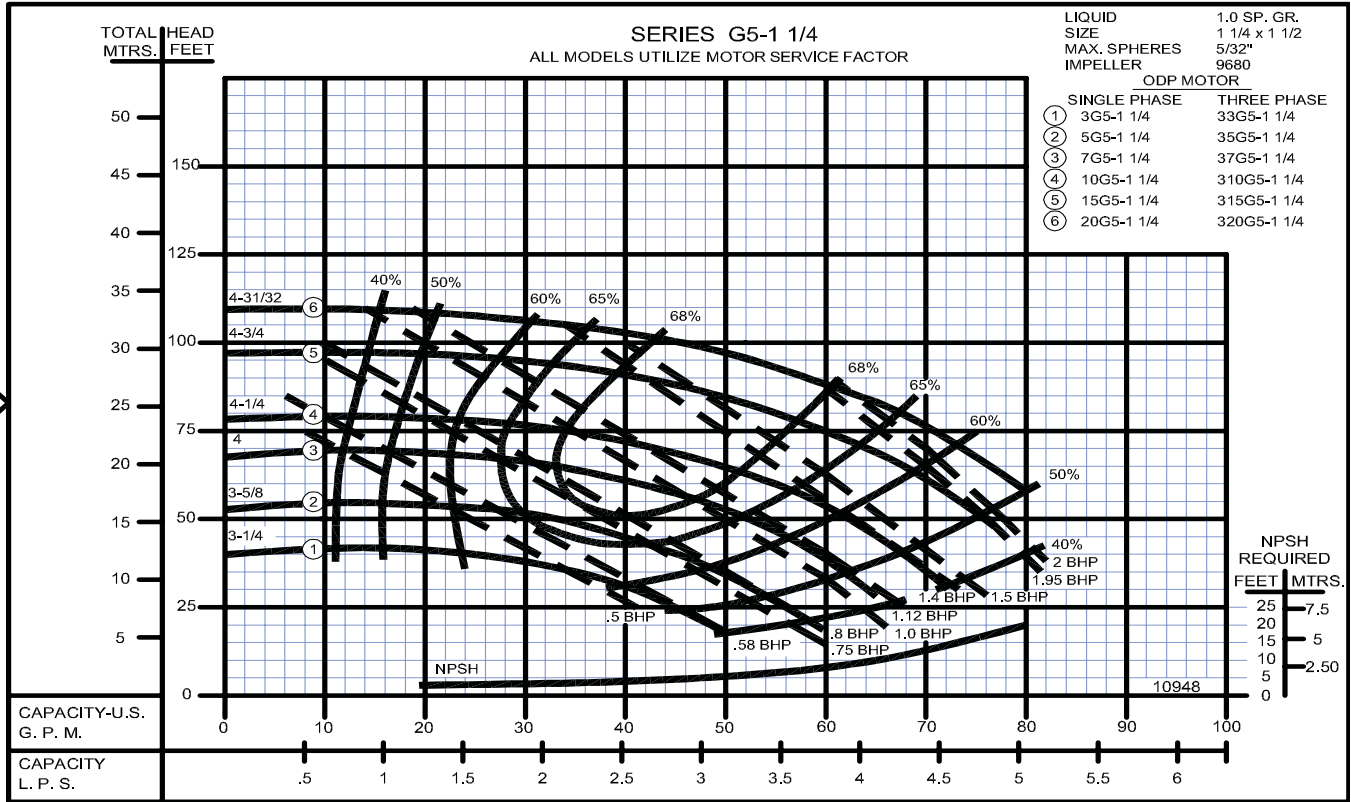
MODEL	MOTOR FRAME SIZE	DISC NPT (in)	SUCT. NPT (in)	A	B	CP	D	DD	E	G	H	L	O	OP	P	X	Y	Z
G5-1¼	56	1¼	1½	7¾	8	15¾	4¾	3¼	1 <sup>15</sup> / <sub>16</sub>	¾	9/ <sub>16</sub>	6 <sup>7</sup> / <sub>8</sub>	8 <sup>9</sup> / <sub>16</sub>	9 <sup>3</sup> / <sub>8</sub>	4 <sup>5</sup> / <sub>16</sub>	4 <sup>7</sup> / <sub>16</sub>	2 <sup>3</sup> / <sub>8</sub>	3 <sup>3</sup> / <sub>8</sub>
G6-1¼	56	1¼	1½	8½	8	15 <sup>7</sup> / <sub>8</sub>	5¼	3¾	1 <sup>15</sup> / <sub>16</sub>	¾	9/ <sub>16</sub>	7¼	9 <sup>1</sup> / <sub>16</sub>	10	4 <sup>5</sup> / <sub>16</sub>	4 <sup>11</sup> / <sub>16</sub>	2½	3¾

**DIMENSIONS IN MILLIMETERS**

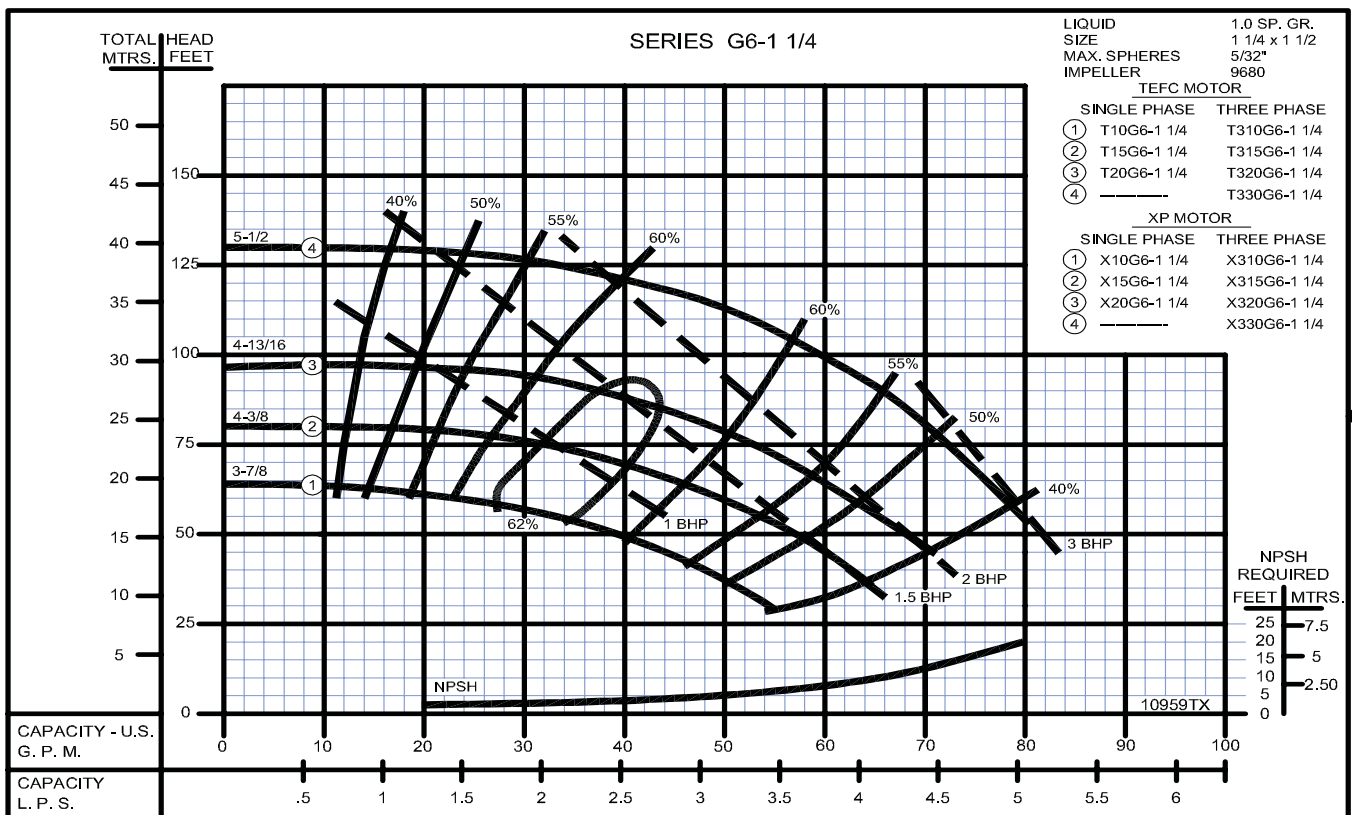
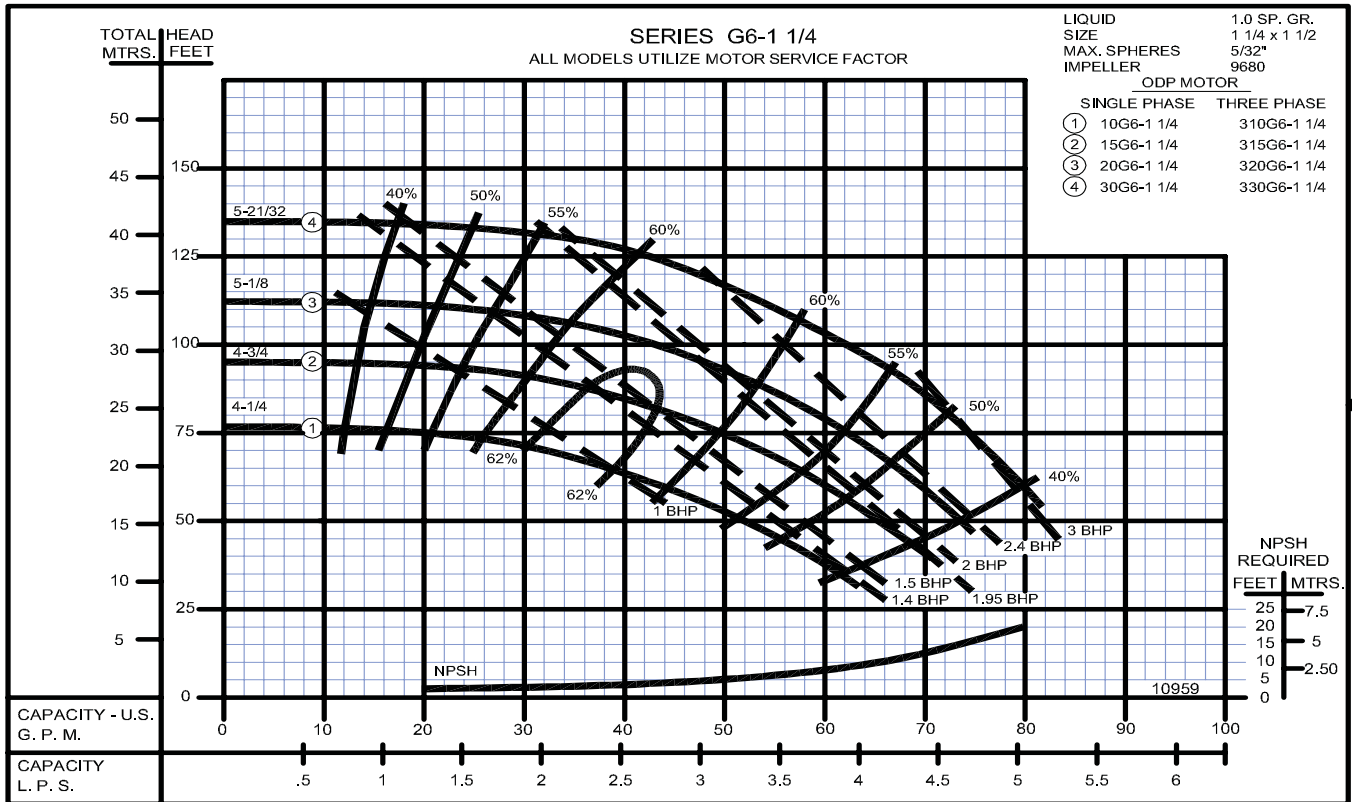
MODEL	MOTOR FRAME SIZE	DISC NPT (in)	SUCT. NPT (in)	A	B	CP	D	DD	E	G	H	L	O	OP	P	X	Y	Z
G5-1¼	56	1¼	1½	197	203	400	121	83	49	19	14	175	217	238	109	113	60	86
G6-1¼	56	1¼	1½	216	203	403	133	95	49	19	14	184	230	254	109	119	64	95

DIMENSIONS SHOWN ABOVE ARE APPROXIMATE MAXIMUM DIMENSIONS FOR STANDARD PUMPS EQUIPPED WITH ODP MOTORS.

**Close Coupled Centrifugal Pumps**

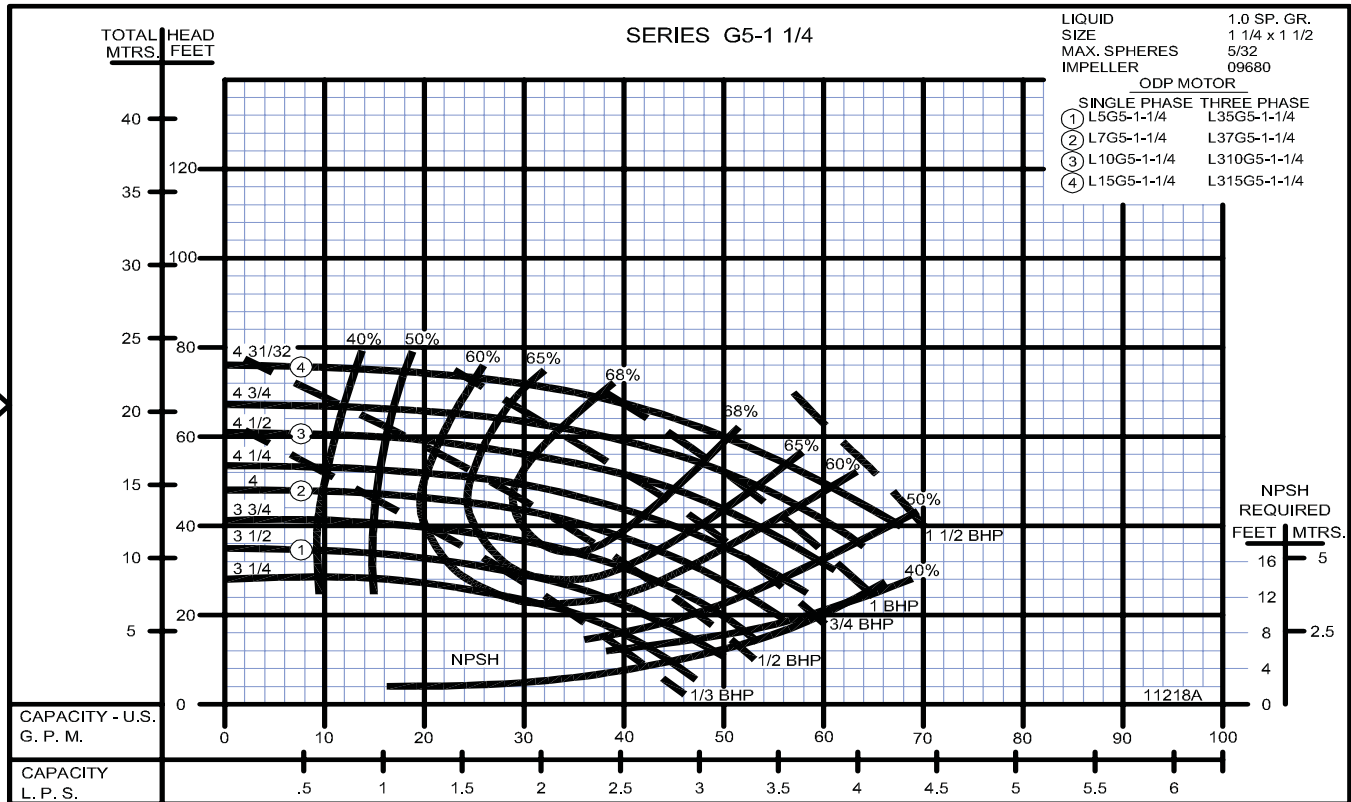


### Close Coupled Centrifugal Pumps

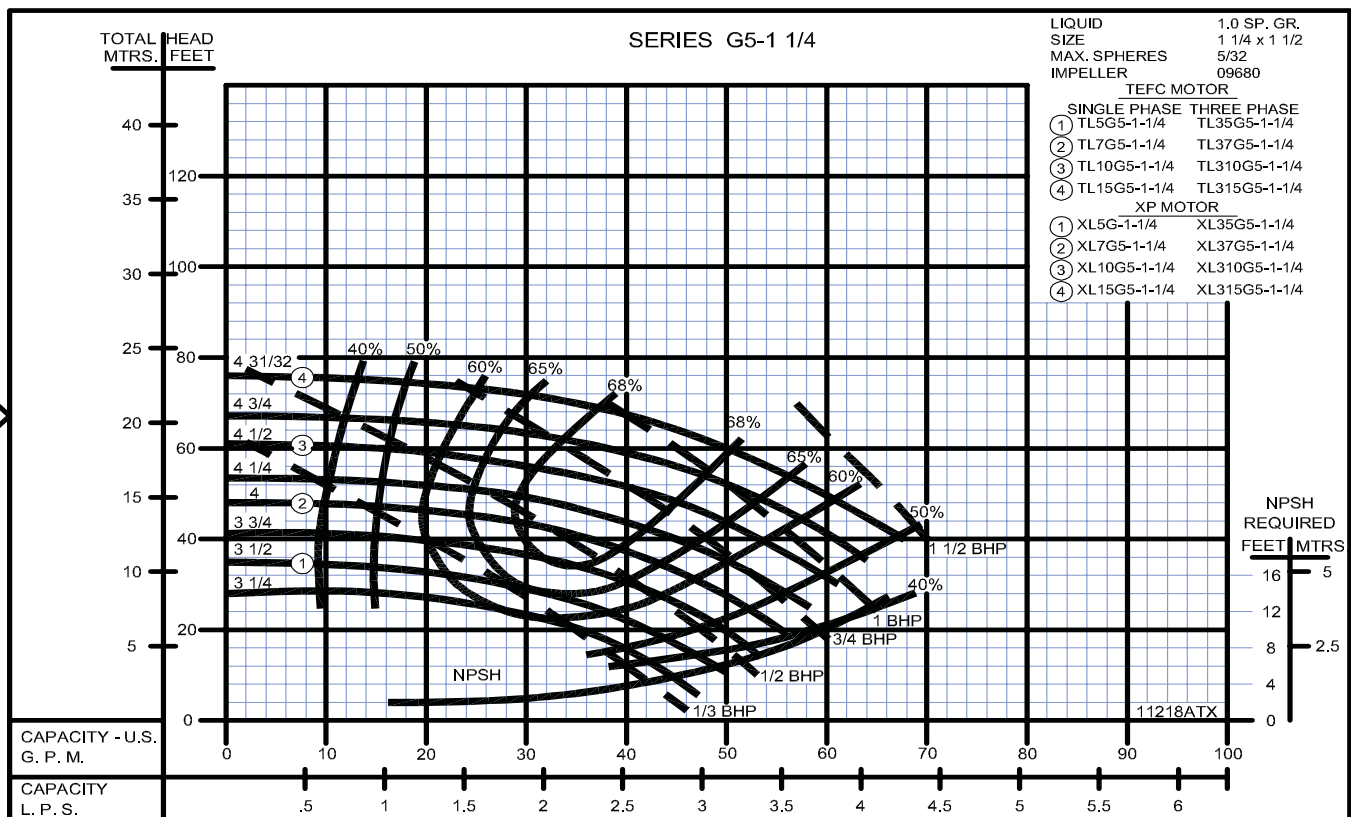


**Close Coupled Centrifugal Pumps**

2900 RPM



2900 RPM



## Close Coupled Centrifugal Pumps

