

# END-SUCTION CENTRIFUGAL PUMPS

Series: IC1½H  
1 - 15 HP / 3500 RPM  
1 & 3 phases



## SUCTION

1½" NPT horizontal.

## DISCHARGE

1½" NPT vertical.

## BODY

Cast iron ASTM A-48 class 30.

## INTERMEDIATE COUPLING

Cast iron ASTM A-48 class 30.

## IMPELLER

**Design:** 5 vanes, closed, statically balanced.

**Material:** cast iron ASTM A-48 class 30.

## SEAL

**Design:** mechanical, type 01.

**Material:** ceramic stationary part, carbon ring seal and exclusion in the rotating part. Buna-N elastomer and stainless steel spring.

## SHAFT

Stainless steel.

## SHAFT SLEEVE

Stainless steel.

## O-RINGS

Buna-N.

## MOTOR

High quality premium efficiency TEFC or ODP electric motors, designed & developed in accordance with industry standards for industrial and commercial pumping applications.

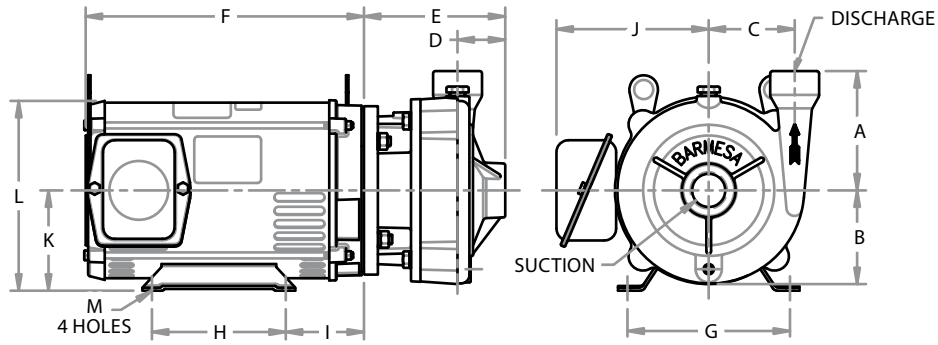
## HARDWARE

Carbon steel.

## PAINT

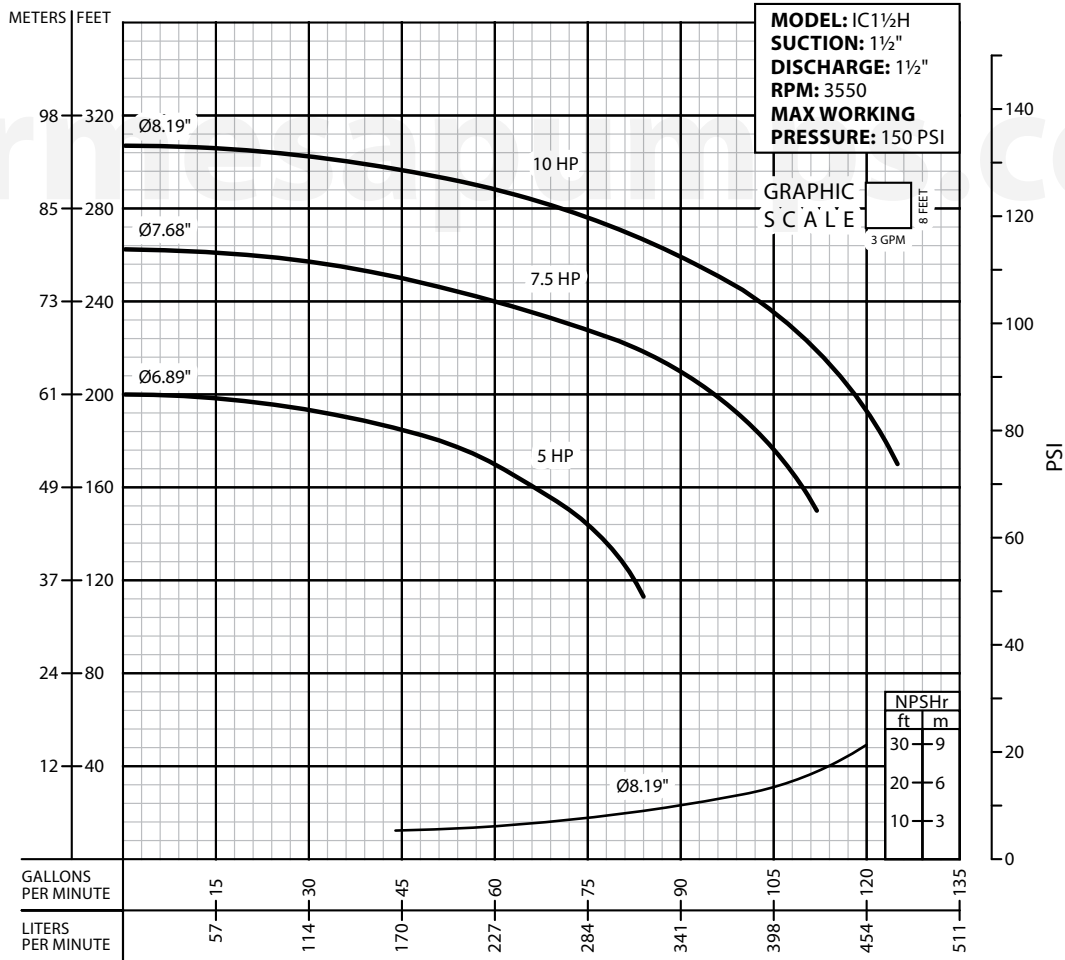
Air dry enamel, water based.

**Series: IC1½H**  
1 - 15 HP



MODEL	PART No.	SIZE	HP	PHASE	RPM	FRAME	A	B	C	D	E	F	G	H	I	J	K	L	M
IC1½H-5-2	62070515	1½" x 1½"	5	3	ODP	184 JM	6.25	4.94	4.5	2.5	7.38	11.81	7.5	5.5	3.63	6.88	4.5	8.5	0.41
IC1½H-7.5-2	62070516		213 JM																
IC1½H-10-2	62070517		215 JM																
IC1½H-15-2	-		-																
IC1½H-1-2-1	-	1½" x 1½"	1	1	TEFC	-	-	-	-	-	-	-	-	-	-	-	-	-	-
IC1½H-3-2-1	-		3	1		-													
IC1½H-5-2	62071515		5	3		-													
IC1½H-5-2-1	-		5	1		-													
IC1½H-7.5-2	62071516		7.5	3		-													
IC1½H-7.5-2-1	-		7.5	1		-													
IC1½H-10-2	62071517		10	3		-													
IC1½H-15-2	-		15	3		-													

All dimensions are in inches, and may vary depending on the motor manufacturer.



**IMPORTANT!**

1. Never use this pump to handle explosive liquids.
2. This pump is not approved to be used in swimming pools, recreational installations or any application where human contact may be common.
3. Testing is performed with water specific gravity of 1.0 @ 68°F (20°C); other fluids may vary performance.