

END-SUCTION CENTRIFUGAL PUMPS

Series: IB

1 - 15 HP / 1750 & 3500 RPM

Suction: 2" - 3" NPT

Discharge: 1½" - 2½" NPT



APPLICATIONS

- ▶ Booster systems
- ▶ Water transfer
- ▶ Chilled water system
- ▶ High flow-rate / medium pressure

VOLUTE

Cast iron ASTM A-48 class 30.

INTERMEDIATE COUPLING

Cast iron ASTM A-48 class 30.

IMPELLER

- ▶ Stainless steel 304
- ▶ Investment casting
- ▶ Dynamically balanced

SEAL

Design: mechanical, type 01.

Material: Ceramic stationary part, carbon ring seal and exclusion in the rotating part. Buna-N elastomer and stainless steel spring.

SHAFT SLEEVE

Stainless steel.

O-RINGS

Buna-N.

MOTOR

High quality premium efficiency TEFC or ODP electric motors, designed & developed in accordance with industry standards for industrial and commercial pumping applications.

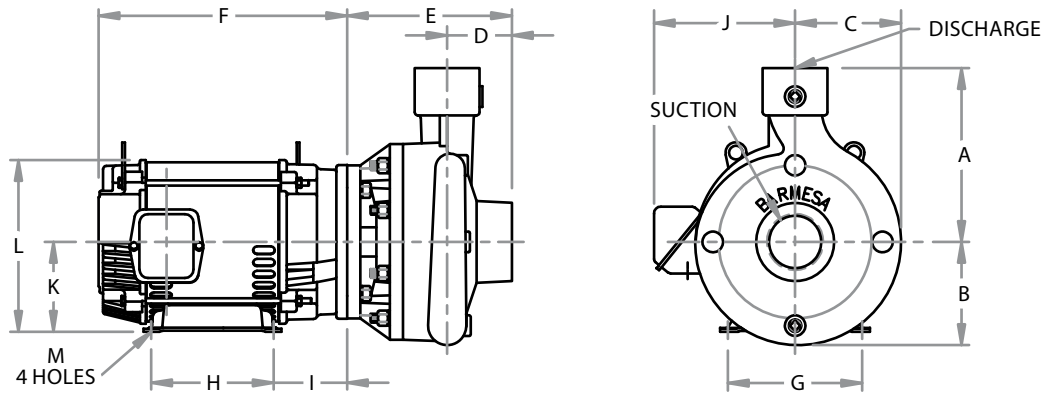
- ▶ 1 & 3 phases, 60 Hz
- ▶ Rated output: 1 to 15 HP
- ▶ 1750 & 3500 RPM
- ▶ Frame sizes: 143 JM to 254 JM

HARDWARE

Carbon steel.

PAINT

Air dry enamel, water based.



MODEL	PART No.	SIZE	HP	PHASE	RPM	ENCL.	FRAME	A	B	C	D	E	F	G	H	I	J	K	L	M	
IB1½-3-2-1	62070061	2" x 1½" NPT	3	1	3500	ODP	182JM	7.38	4.38	4.5	2.75	7	13.56	7.5	4.5	3.5	7.5	4.5	9.25	0.41	
IB1½-5-2-1	62070062		5	1	3500	ODP	184JM					11.81	5.5		3.63	6.88	8.5				
IB1½-7.5-2-1	62070063		7.5	1	3500	ODP	213JM					7.13	15.63	8.5	4	2.75	-	3.5	6.75	0.34	
IB1½-1-4	62070001		1	3	1750	ODP	143JM					-	-	-	-	-	-	-	-	-	-
IB1½-1.5-2	62070002		1.5	3	3500	ODP	-					-	-	-	-	-	-	-	-	-	-
IB1½-1.5-4	62070003		1.5	3	1750	ODP	-					-	-	-	-	-	-	-	-	-	-
IB1½-2-2	62070004		2	3	3500	ODP	-					-	-	-	-	-	-	-	-	-	-
IB1½-2-4	62070005		2	3	1750	ODP	-					-	-	-	-	-	-	-	-	-	-
IB1½-3-2	62070006		3	3	3500	ODP	182JM					-	-	-	-	-	-	-	-	-	-
IB1½-5-2	62070007		5	3	3500	ODP	182JM					7	11.81	7.5	4.5	3.63	6.88	4.5	8.5	0.41	
IB1½-7.5-2	62070008	7.5	3	3500	ODP	184JM	-	-	-	-	-	-	-	-	-	-					
IB1½-3-2-1	62071061	2" x 1½" NPT	3	1	3500	TEFC	182JM	7.38	4.38	4.5	2.75	7	13.56	7.5	4.5	3.5	7.5	4.5	9.28	0.41	
IB1½-5-2-1	62071062		5	1	3500	TEFC	184JM					11.81	5.5		3.63	6.88	8.5				
IB1½-7.5-2-1	62071063		7.5	1	3500	TEFC	-					7.13	15.63	8.5	4	2.09	6.13	3.5	7.31	0.34	
IB1½-1-4	62071001		1	3	1750	TEFC	-					-	-	-	-	-	-	-	-	-	-
IB1½-1.5-2	62071002		1.5	3	3500	TEFC	143JM					7	10	5.5	4	2.09	6.13	3.5	7.31	0.34	
IB1½-1.5-4	62071003		1.5	3	1750	TEFC	-					-	-	-	-	-	-	-	-	-	-
IB1½-2-2	62071004		2	3	3500	TEFC	145JM					7	10	5.5	4	2.09	6.13	3.5	7.31	0.34	
IB1½-2-4	62071005		2	3	1750	TEFC	-					-	-	-	-	-	-	-	-	-	-
IB1½-3-2	62071006		3	3	3500	TEFC	182JM					7	13.56	7.5	4.5	3.5	7.5	4.5	9.28	0.41	
IB1½-5-2	62071007		5	3	3500	TEFC	184JM					7	11.81	7.5	5.5	3.63	6.88	4.5	8.5	0.41	
IB1½-7.5-2	62071008	7.5	3	3500	TEFC	213JM	7.13	15.63	8.5	5.5	4.25	8.25	5.25	10.25	0.44						
IB2-3-2-1	62070071	2½" x 2" NPT	3	1	3500	ODP	182JM	7.75	4.63	4.81	2.88	7.13	13.56	7.5	4.5	3.5	7.5	4.5	9.28	0.41	
IB2-5-2-1	62070072		5	1	3500	ODP	184JM					11.81	5.5		3.63	6.88	8.5				
IB2-7.5-2-1	62070073		7.5	1	3500	ODP	213JM					7.13	15.63	8.5	4	2.09	6.13	3.5	7.31	0.34	
IB2-1-4	62070021		1	3	1750	ODP	-					-	-	-	-	-	-	-	-	-	-
IB2-1.5-4	62070022		1.5	3	1750	ODP	145JM					7.13	10	5.5	5	2.09	6.13	3.5	6.63	0.34	
IB2-2-2	62070023		2	3	3500	ODP	-					-	-	-	-	-	-	-	-	-	-
IB2-2-4	62070024		2	3	1750	ODP	-					-	-	-	-	-	-	-	-	-	-
IB2-3-2	62070025		3	3	3500	ODP	-					-	-	-	-	-	-	-	-	-	-
IB2-5-2	62070026		5	3	3500	ODP	182JM					7.13	11.81	7.5	4.5	3.63	6.88	4.5	8.5	0.41	
IB2-7.5-2	62070027		7.5	3	3500	ODP	184JM					7.25	13.5	8.5	5.5	4.25	7.6	5.25	9.96		
IB2-10-2	62070028	10	3	3500	ODP	213JM	7.13	13.56	7.5	5.5	4.25	7.6	5.25	10.25	0.44						
IB2-3-2-1	62071071	2½" x 2" NPT	3	1	3500	TEFC	182JM	7.75	4.63	4.81	2.88	7.13	13.56	7.5	4.5	3.5	7.5	4.5	9.28	0.41	
IB2-5-2-1	62071072		5	1	3500	TEFC	184JM					11.81	5.5		3.63	6.88	8.5				
IB2-7.5-2-1	62071073		7.5	1	3500	TEFC	-					-	-	-	-	-	-	-	-	-	-
IB2-1-4	62071021		1	3	1750	TEFC	-					-	-	-	-	-	-	-	-	-	-
IB2-1.5-4	62071022		1.5	3	1750	TEFC	145JM					7.13	10	5.5	5	2.09	6.13	3.5	7.31	0.34	
IB2-2-2	62071023		2	3	3500	TEFC	143JM					-	-	-	-	-	-	-	-	-	-
IB2-2-4	62071024		2	3	1750	TEFC	-					-	-	-	-	-	-	-	-	-	-
IB2-3-2	62071025		3	3	3500	TEFC	182JM					7.13	13.56	7.5	4.5	3.5	7.5	4.5	9.28	0.41	
IB2-5-2	62071026		5	3	3500	TEFC	184JM					7.13	11.81	7.5	5.5	3.63	6.88	4.5	8.5	0.41	
IB2-7.5-2	62071027		7.5	3	3500	TEFC	213JM					7.25	15.63	8.5	7	4.25	8.25	5.25	10.25	0.44	
IB2-10-2	62071028	10	3	3500	TEFC	215JM	7.13	17.13	8.5	7	4.25	8.25	5.25	10.25	0.44						
IB2½-5-2-1	62070081	3" x 2½" NPT	5	1	3500	ODP	184JM	8.38	5.13	5.25	3.5	7.63	11.81	7.5	5.5	3.63	6.88	4.5	8.5	0.41	
IB2½-7.5-2-1	62070082		7.5	1	3500	ODP	213JM					7.13	15.63		8.5	4.25	8.25	5.25	10.25		
IB2½-1-4	62070041		1	3	1750	ODP	-					-	-	-	-	-	-	-	-	-	-
IB2½-1.5-4	62070042		1.5	3	1750	ODP	-					-	-	-	-	-	-	-	-	-	-
IB2½-2-4	62070043		2	3	1750	ODP	145JM					7.63	10	5.5	5	2.09	6.13	3.5	6.63	0.34	
IB2½-3-4	62070044		3	3	1750	ODP	-					-	-	-	-	-	-	-	-	-	-
IB2½-5-2	62070045		5	3	3500	ODP	182JM					-	-	-	-	-	-	-	-	-	-
IB2½-7.5-2	62070046		7.5	3	3500	ODP	184JM					7.63	11.81	7.5	4.5	3.63	6.88	4.5	8.5	0.41	
IB2½-10-2	62070047		10	3	3500	ODP	213JM					7.13	13.5	8.5	7	4.25	7.6	5.25	9.96		
IB2½-15-2	62070048		15	3	3500	ODP	215JM					7.13	20.13	8.5	7	4.25	8.25	5.25	10.25	0.44	
IB2½-5-2-1	62070081	3" x 2½" NPT	5	1	3500	TEFC	184JM	8.38	5.13	5.25	3.25	7.63	13.56	7.5	5.5	3.5	7.50	4.5	9.28	0.41	
IB2½-7.5-2-1	62071082		7.5	1	3500	TEFC	184JM					11.81	5.5		3.63	6.88	8.5				
IB2½-1-4	62071041		1	3	1750	TEFC	-					-	-	-	-	-	-	-	-	-	-
IB2½-1.5-4	62071042		1.5	3	1750	TEFC	-					-	-	-	-	-	-	-	-	-	-
IB2½-2-4	62071043		2	3	1750	TEFC	145JM					7.63	10	5.5	5	2.09	6.13	3.5	7.31	0.34	
IB2½-3-4	62071044		3	3	1750	TEFC	-					-	-	-	-	-	-	-	-	-	-
IB2½-5-2	62071045		5	3	3500	TEFC	184JM					7.63	13.56	7.5	5.5	3.5	7.50	4.5	9.28	0.41	
IB2½-7.5-2	62071046		7.5	3	3500	TEFC	213JM					7.13	15.63	8.5	7	4.25	8.25	5.25	10.25	0.44	
IB2½-10-2	62071047		10	3	3500	TEFC	215JM					7.75	17.13	8.5	7	4.25	8.25	5.25	10.25	0.44	
IB2½-15-2	62071048		15	3	3500	TEFC	254JM					7.75	20.13	10	8.25	4.75	9.94	6.25	12.94	0.53	

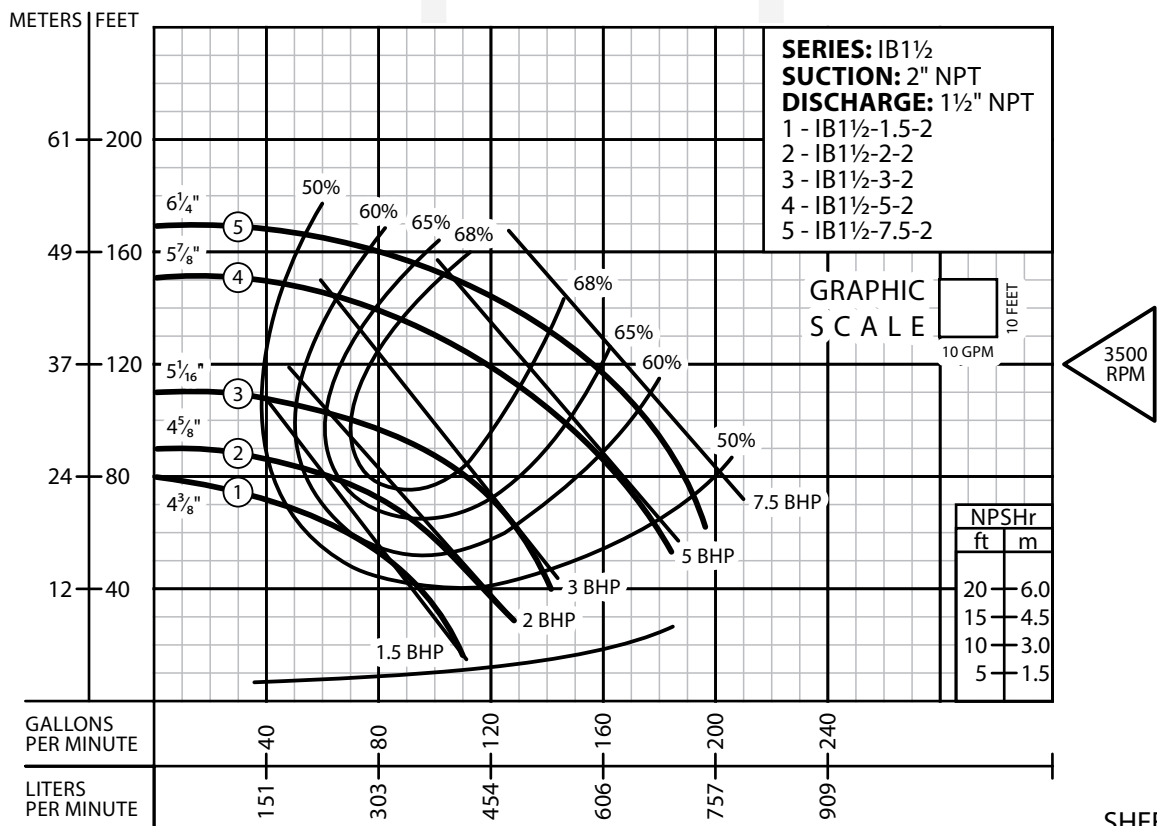
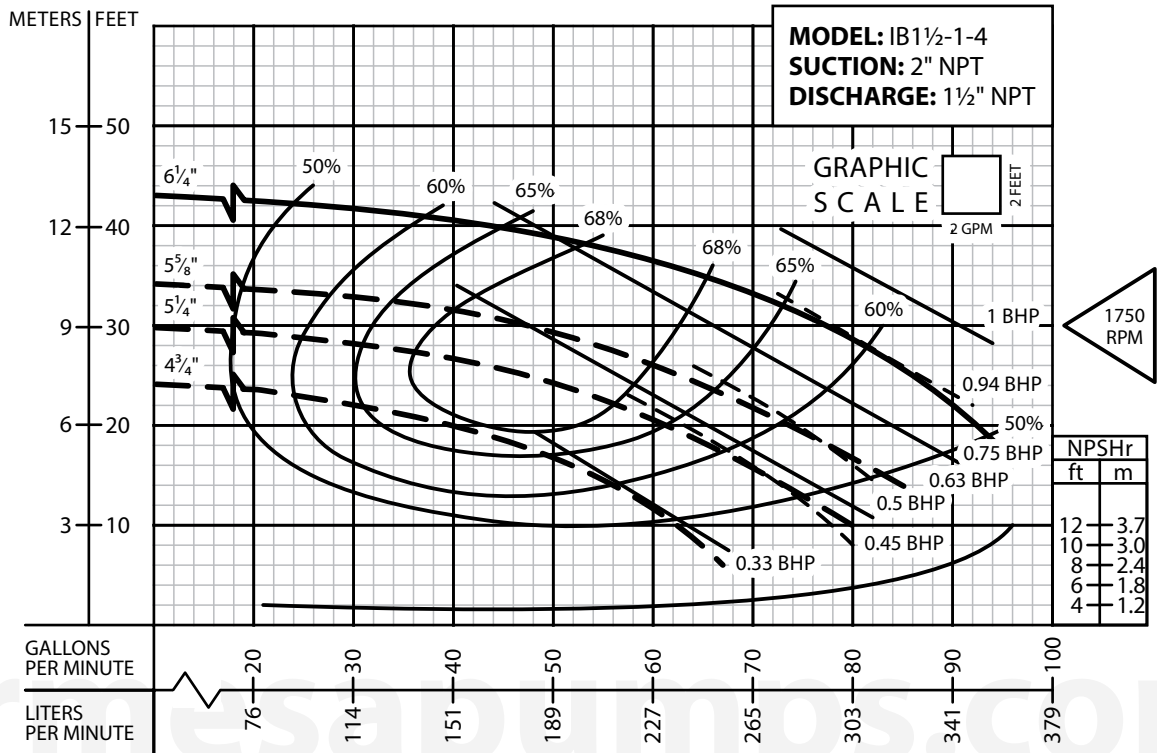
IMPORTANT!

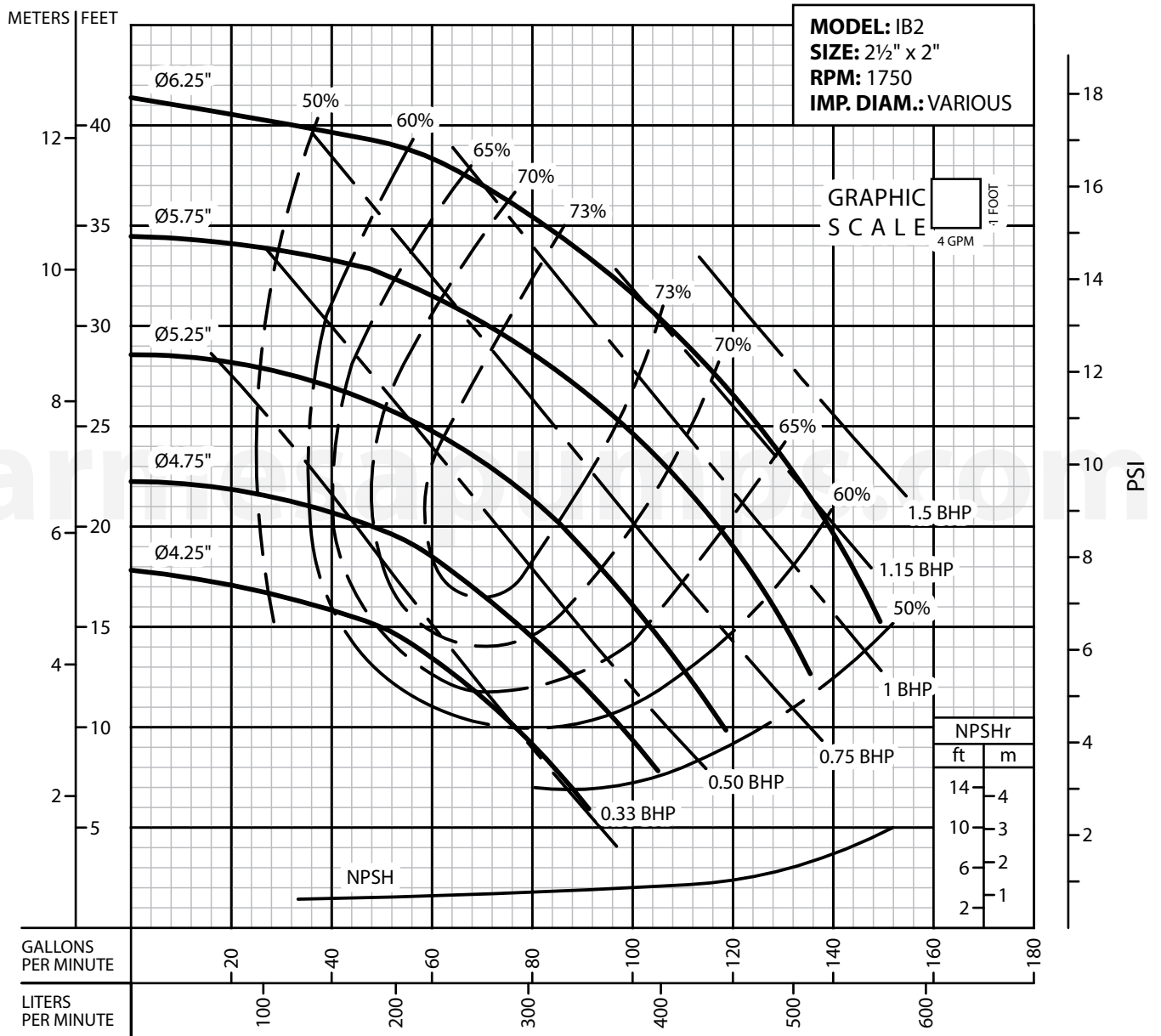
- Never use this pump to handle explosive liquids.
- This pump is not approved to be used in swimming pools, recreational installations or any application where human contact may be common.

All dimensions are in inches, and may vary depending on the motor manufacturer.

PERFORMANCE CURVE

End-Suction Centrifugal Close Coupled Series: IB1½





PERFORMANCE CURVE
End-Suction Centrifugal
Close Coupled
Series: **IB2 & 2½**

