

# END-SUCTION CENTRIFUGAL PUMPS

Series: BES2025CU9  
2" x 2½"  
Universal Drive



## SUCTION

2½" 125 lb. ANSI flange.

## DISCHARGE

2" 125 lb. ANSI flange. It can be placed in 4 different locations depending on piping requirements.

## LIQUID TEMPERATURE

225 °F (107 °C) continuous.

## BODY

Cast iron ASTM A-48, class 30, back pull-out design, with removing suction and discharge piping.

## PEDESTAL

Cast iron ASTM A-48, class 30.

## IMPELLER

**Design:** enclosed type, dynamically balanced, ISO G6.3, maximum spheres 0.625".

**Material:** bronze C95200.

## SHAFT

Stainless steel.

## SHAFT SLEEVE

Bronze C95200.

## HARDWARE

Steel.

## CASING WEARING RING

Bronze C95200.

## PAINT

Air dry enamel, water based.

## SEAL

**Design:** mechanical.

**Material:** carbon / Ni-Resist / Buna-N.

## BEARING-DRIVE END

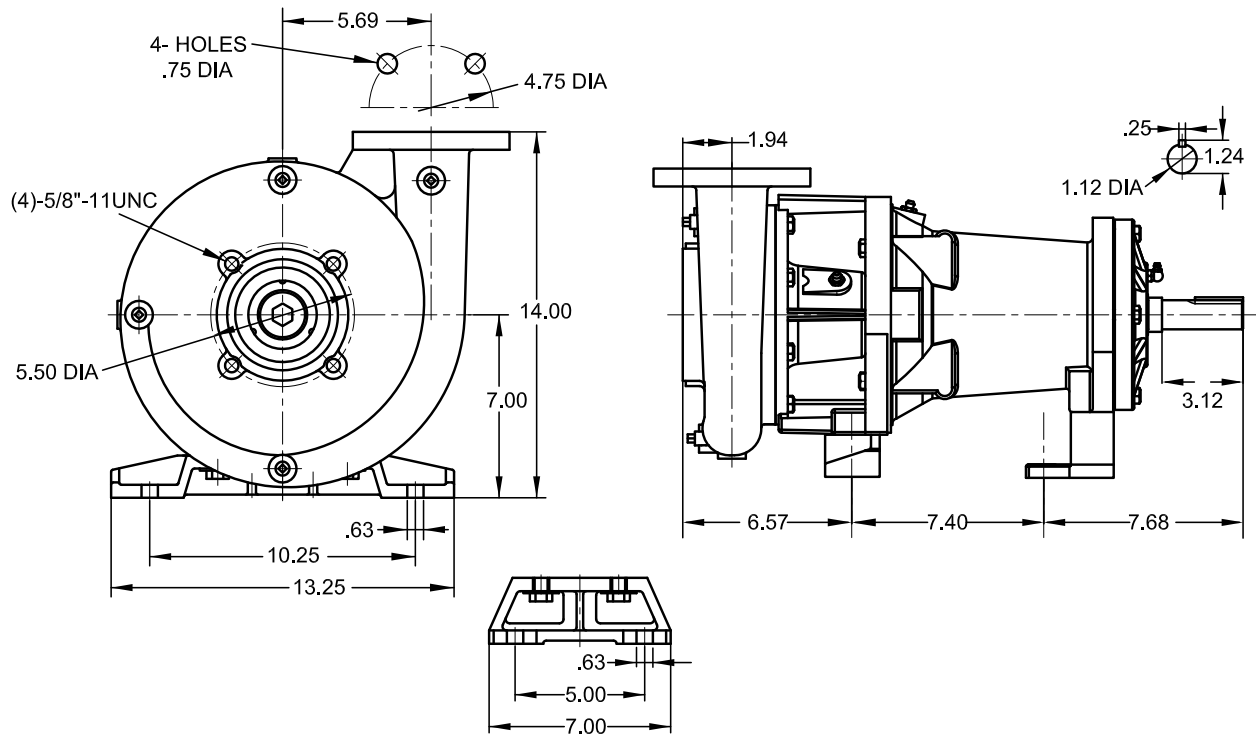
Single row, ball, grease lubricated.

## BEARING-PUMP END

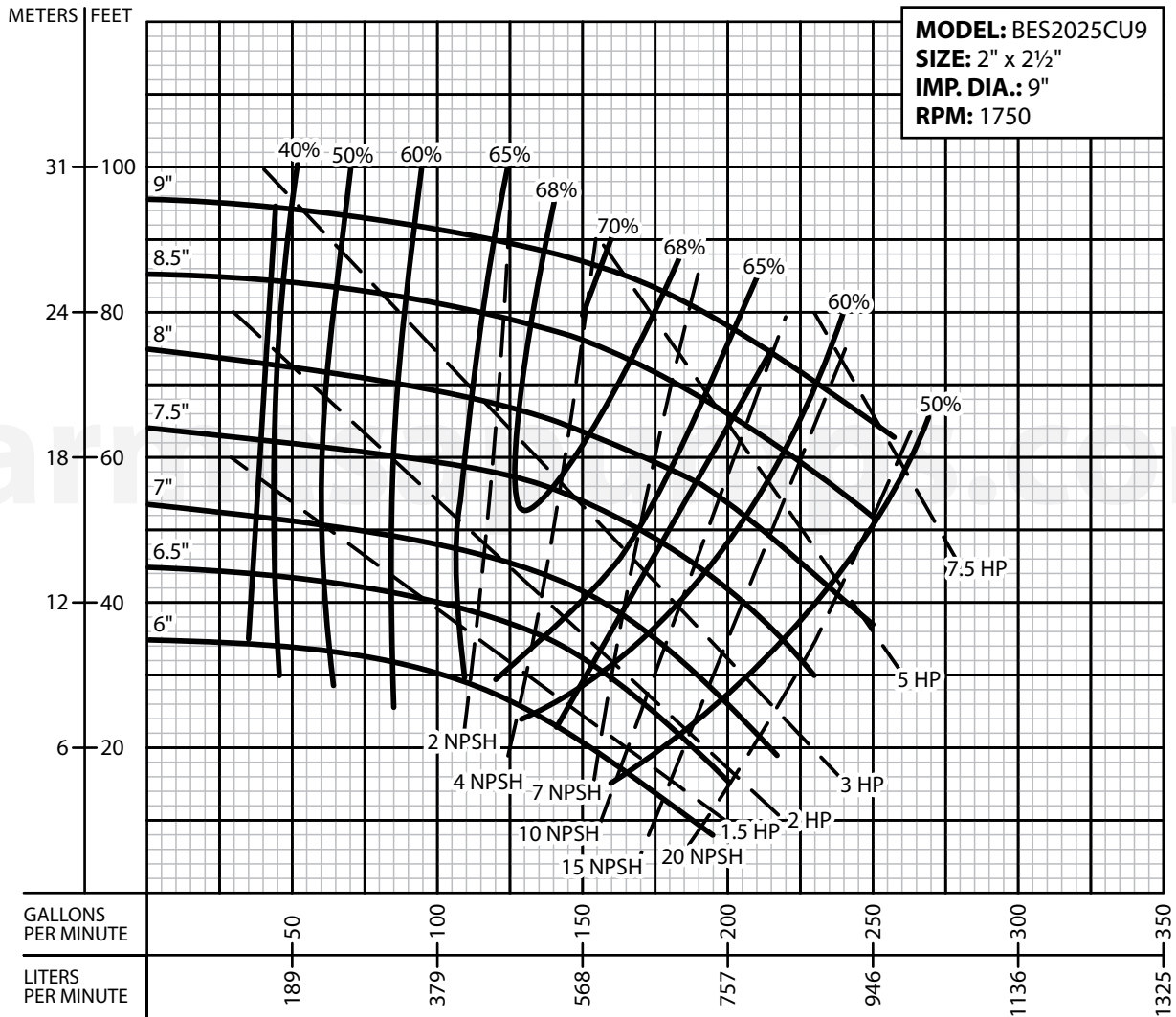
Single row, ball, grease lubricated.


## WEIGHT

167 lb. (75.7 kg)

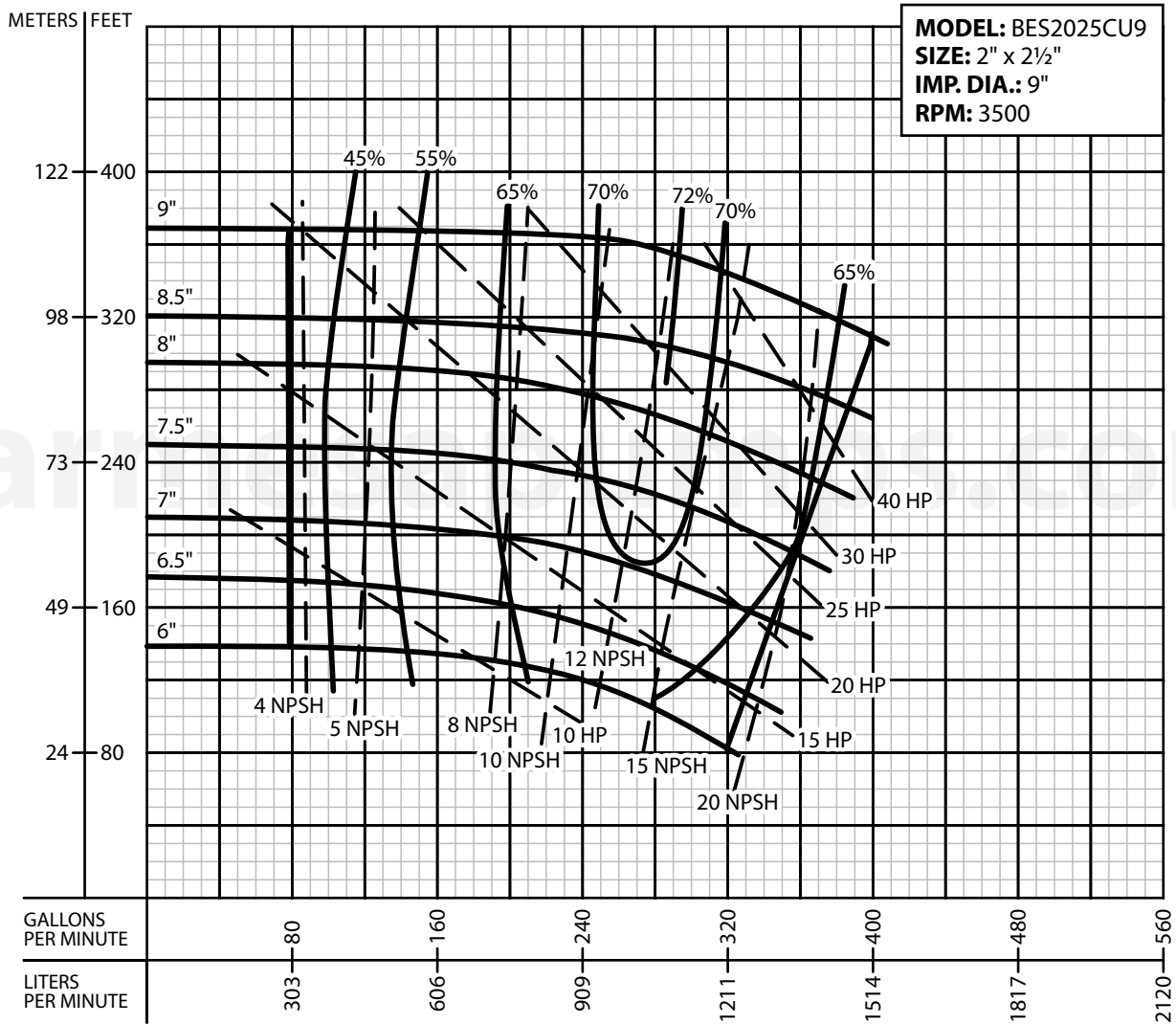


barmesapumps.com



GRAPHIC SCALE  2 FEET  
5 GPM

Testing is performed with water specific gravity of 1.0 @ 68 °F (20 °C); other fluids may vary performance.



GRAPHIC SCALE  10 FEET  
10 GPM

Testing is performed with water specific gravity of 1.0 @ 68°F (20°C); other fluids may vary performance.