

# **KTM series**

2 - 20 HP @ 3450 RPM



**IMPORTANT! - Read all instructions in this manual before operating or servicing a pump.**

Before installation, read the following instructions carefully. Failure to follow instruction and safety information could cause serious bodily injury, death and/or property damage. Each Barmesa product is carefully inspected to insure proper performance. Closely following these instructions will eliminate potential operating problems, assuring years of trouble-free service.

**⚠ DANGER** Indicates an imminently hazardous situation which, if not avoided, WILL result in death or serious injury.

**⚠ WARNING** Indicates an imminently hazardous situation which, if not avoided, MAY result in death or serious injury.

**⚠ CAUTION** Indicates a potentially hazardous situation which, if not avoided, MAY result in minor or moderate injury.

**IMPORTANT! - Barmesa Pumps is not responsible for losses, injury or death resulting from failure to observe these safety precautions, misuse, abuse or misapplication of pumps or equipment.**



**ALL RETURNED PRODUCTS MUST BE CLEANED, SANITIZED, OR DECONTAMINATED PRIOR TO SHIPMENT, TO INSURE EMPLOYEES WILL NOT BE EXPOSED TO HEALTH HAZARDS IN HANDLING SAID MATERIAL. ALL APPLICABLE LAWS AND REGULATIONS SHALL APPLY.**

**⚠ WARNING** Installation, wiring, and junction connections must be in accordance with the National Electric Code and all applicable state and local codes. Requirements may vary depending on usage and location.

**⚠ WARNING** Installation and servicing is to be conducted by qualified personnel only.



Keep clear of suction and discharge openings. Do not insert fingers in pump with power connected; the rotating cutter and/or impeller can cause serious injury.



Always wear eye protection when working on pumps. Do not wear loose clothing that may become entangled in moving parts.



**⚠ DANGER** Pumps build up heat and pressure during operation. Allow time for pumps to cool before handling or servicing the pump or any accessory items associated with or near the pump.



**⚠ DANGER** This pump is not intended for use in swimming pools or water installations where there is human contact with pumped fluid.



**⚠ DANGER** Risk of electric shock. To reduce risk of electric shock, always disconnect pump from power source before handling any aspect of the pumping system. **Lock out power & tag.**

**⚠ WARNING** Do not use these pumps in water over 104 °F. Do not exceed manufactures recommended maximum performance, as this could cause the motor to overheat.



**⚠ DANGER** Do not lift, carry or hang pump by the electrical cables. Damage to the electrical cables can cause shock, burns or death. **Never** handle connected power cords with wet hands. Use appropriate lifting device.

**⚠ WARNING** Ground Fault Circuit Interrupter (GFCI) to be used with plug-in type power cord.



**⚠ DANGER** Failure to permanently ground the pump, motor and controls before connecting to power can cause shock, burns or death.



**⚠ DANGER** These pumps are not to be installed in locations classified as hazardous in accordance with the National Electric Code, ANSI/NFPA 70.

**⚠ WARNING** The Uniform Plumbing Code (UPC) states that sewage systems shall have an audio and visual alarm that signals a malfunction of the systems, that are required to reduce the potential for property damage.

**IMPORTANT! - Prior to installation, record Model Number, Serial, Amps, Voltage, Phase and HP from pump name plate for the future reference. Also record the Voltage and Current Readings at Startup:**

Model Number: \_\_\_\_\_

Serial: \_\_\_\_\_

Amps: \_\_\_\_\_ Volts: \_\_\_\_\_

Phase: \_\_\_\_\_ HP: \_\_\_\_\_

## ► Specifications

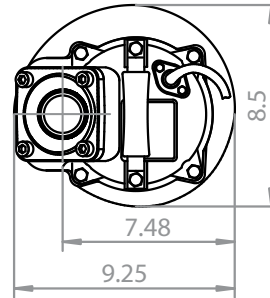
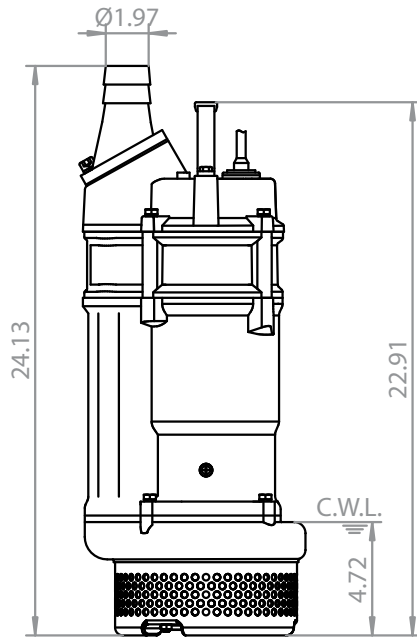
|                            |   |
|----------------------------|---|
| <b>DISCHARGE:</b>          | 2", 3" & 4" NPT, vertical for hose coupling, cast iron ASTM A-48 class 30. Includes a discharge adapter for NPT threads.          |
| <b>LIQUID TEMPERATURE:</b> | 104 °F (40 °C) max.   |
| <b>UPPER COVER:</b>        | Cast iron ASTM A-48 class 30.   |
| <b>PUMP BODY:</b>          | Cast iron ASTM A-48 class 30.   |
| <b>MOTOR HOUSING:</b>      | Cast iron ASTM A-48 class 30.   |
| <b>IMPELLER:</b>           | Semi-open, high chrome alloy.   |
| <b>INLET PLATE:</b>        | Ductile iron.   |
| <b>SHAFT:</b>              | 420 AISI stainless steel.   |
| <b>HARDWARE:</b>           | 304 series stainless steel.   |
| <b>O-RINGS:</b>            | Nitrile rubber (NBR).   |
| <b>PAINT:</b>              | Air dry enamel, water based.  |
| <b>SEAL:</b>               | Double mechanical, oil filled chamber. SiC-SiC / carbon-SiC or SiC-SiC. Stainless steel hardware.                                 |
| <b>CORD ENTRY:</b>         | 50 ft of neoprene cord, sealed against moisture.  |
| <b>MOTOR:</b>              | One phase induction motor 230 V and three phase motor 230 & 460 V, 60 Hz, 3450 RPM. Insulation class F and IP68 protection class. |
| <b>STRAINER:</b>           | Steel.  |
| <b>HANDLE:</b>             | Rubber and steel.   |

barmesapumps.com

| MODEL    | PART No. | HP  | VOLTS | PHASE | RPM<br>(Nominal) | MAX<br>AMPS | WEIGHT<br>(pounds) |
|----------|----------|-----|-------|-------|------------------|-------------|--------------------|
| 2KTM201  | 70090221 | 2   | 230   | 1     | 3450             | 10          | 97                 |
| 2KTM203  | 70090231 | 2   | 230   | 3     | 3450             | 5.4         | 79                 |
| 2KTM204  | 70090232 | 2   | 460   | 3     | 3450             | 2.7         | 79                 |
| 2KTM303  | 70090234 | 3   | 230   | 3     | 3450             | 8.2         | 86                 |
| 2KTM304  | 70090235 | 3   | 460   | 3     | 3450             | 4.1         | 86                 |
| 3KTM503  | 70090237 | 5   | 230   | 3     | 3450             | 12.2        | 139                |
| 3KTM504  | 70090238 | 5   | 460   | 3     | 3450             | 6.6         | 139                |
| 3KTM753  | 70090240 | 7.5 | 230   | 3     | 3450             | 18.2        | 170                |
| 3KTM754  | 70090241 | 7.5 | 460   | 3     | 3450             | 9.6         | 170                |
| 4KTM1003 | 70090243 | 10  | 230   | 3     | 3450             | 24.8        | 234                |
| 4KTM1004 | 70090244 | 10  | 460   | 3     | 3450             | 12.4        | 234                |
| 4KTM1503 | 70090246 | 15  | 230   | 3     | 3450             | 36.4        | 300                |
| 4KTM1504 | 70090247 | 15  | 460   | 3     | 3450             | 18.2        | 300                |
| 4KTM2004 | 70090249 | 20  | 460   | 3     | 3450             | 24.9        | 317                |

## ► Dimensional drawings

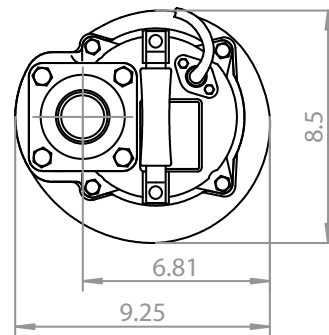
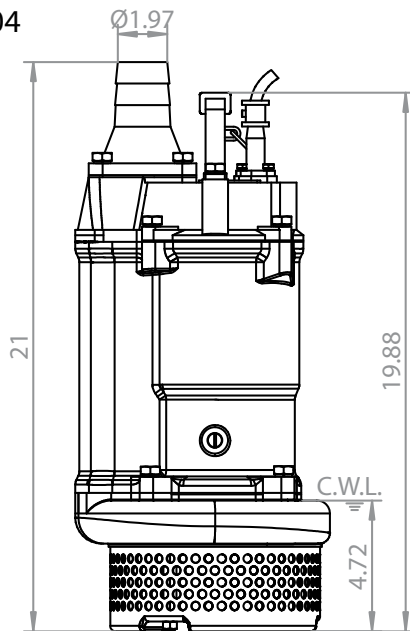
2KTM201



Dimensions in inches.  
C.W.L.: continuous running water level.

barmesapumps.com

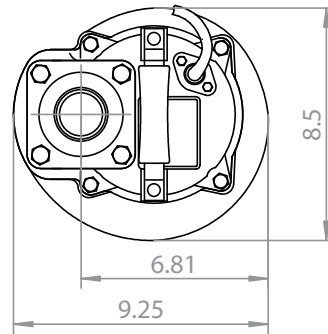
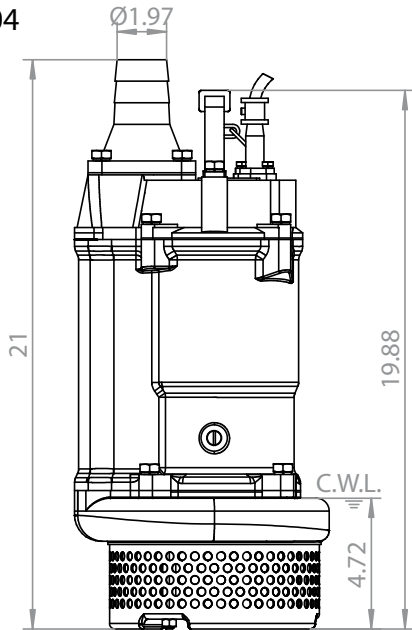
2KTM203  
2KTM204



Dimensions in inches.  
C.W.L.: continuous running water level.

## ► Dimensional drawings

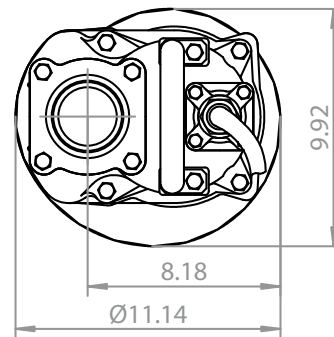
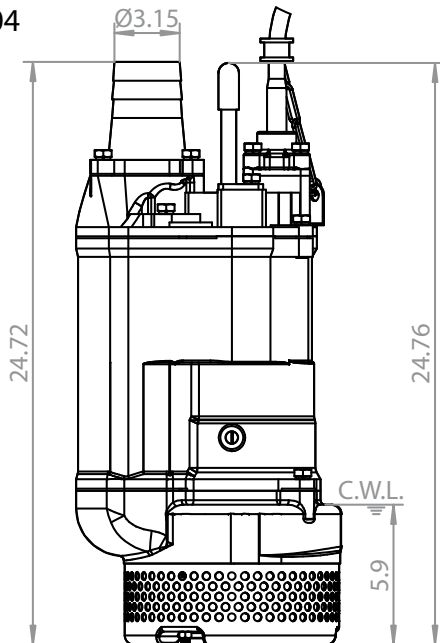
2KTM303  
2KTM304



Dimensions in inches.  
C.W.L.: continuous running water level.

barmesapumps.com

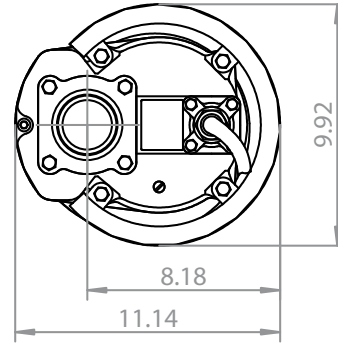
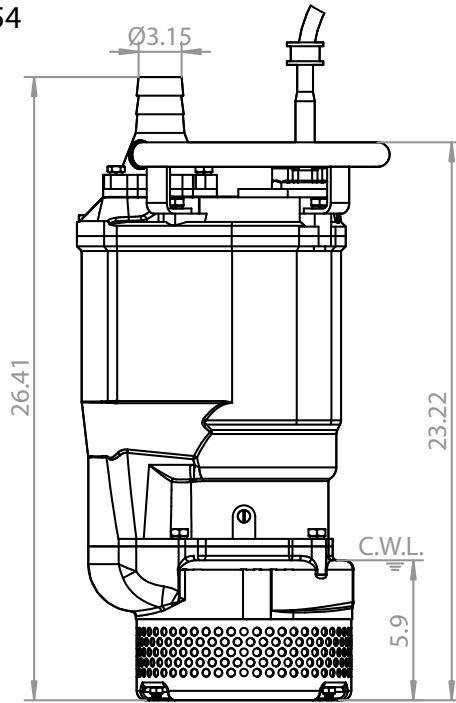
3KTM503  
3KTM504



Dimensions in inches.  
C.W.L.: continuous running water level.

## ► Dimensional drawings

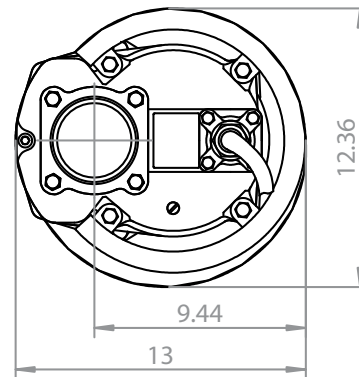
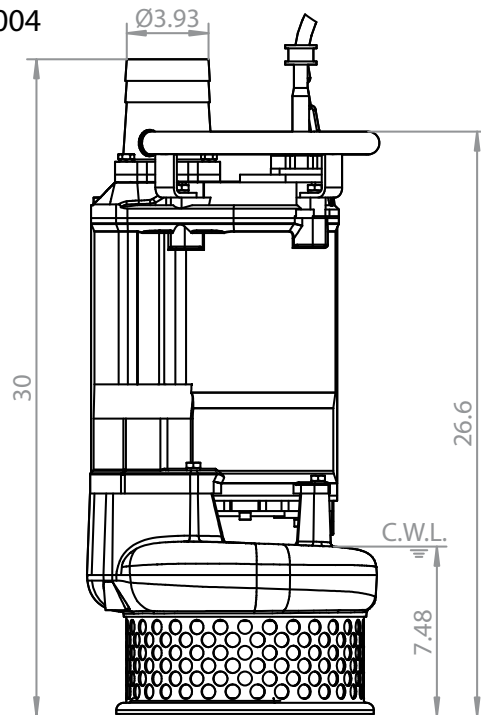
3KTM753  
3KTM754



Dimensions in inches.  
C.W.L.: continuous running water level.

barmesapumps.com

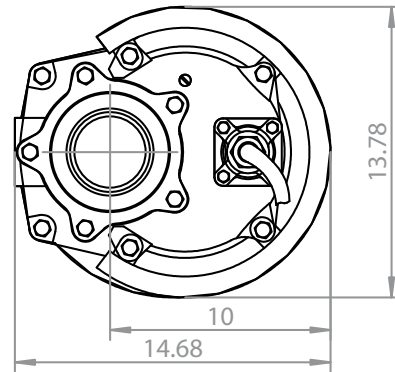
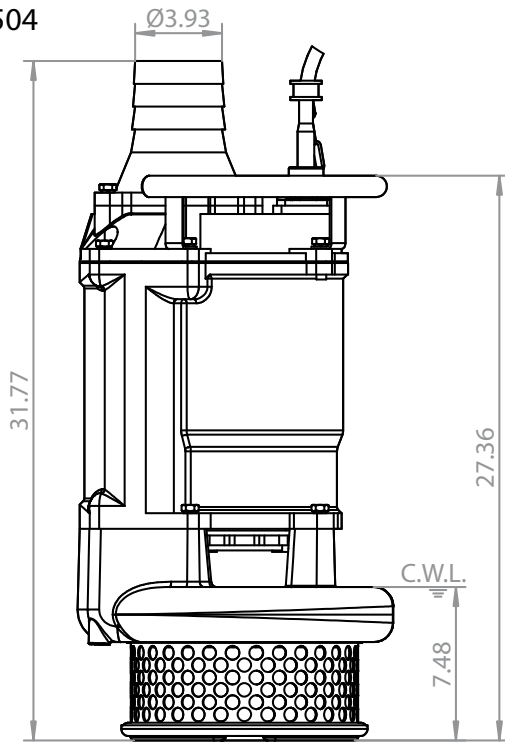
4KTM1003  
4KTM1004



Dimensions in inches.  
C.W.L.: continuous running water level.

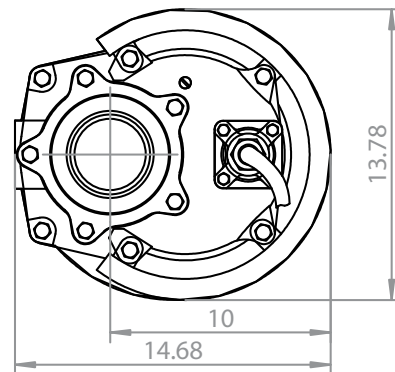
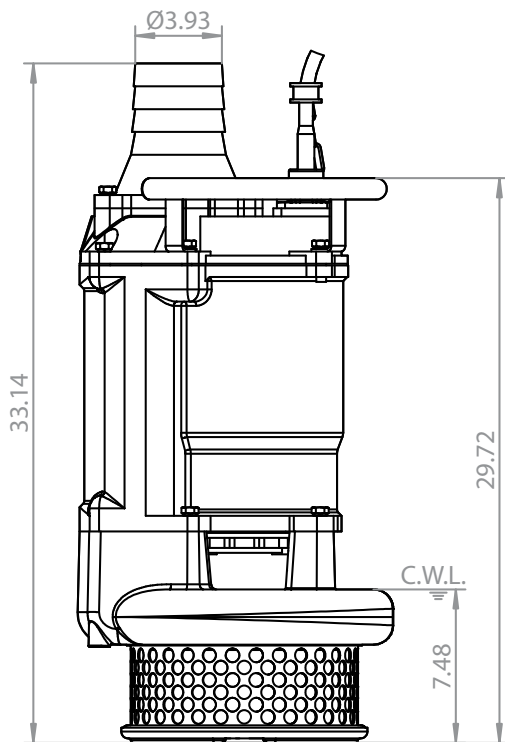
## ► Dimensional drawings

4KTM1503  
4KTM1504



Dimensions in inches.  
C.W.L.: continuous running water level.

4KTM2004



Dimensions in inches.  
C.W.L.: continuous running water level.

barmesapumps.com

---

# 1. Introduction

## Purpose of this manual

The purpose of this manual is to provide necessary information for:

- Installation
- Operation
- Maintenance



### CAUTION

Read this manual carefully before installing and using the product. Improper use of the product can cause personal injury and damage to property, and may void the warranty.

---

---

### NOTICE

Save this manual for future reference, and keep it readily available at the location of the unit.

---




## 1.1 Safety terminology and symbols

### About safety messages

It is extremely important that you read, understand, and follow the safety messages and regulations carefully before handling the product. They are published to help prevent these hazards:

- Personal accidents and health problems
- Damage to the product
- Product malfunction

### Hazard levels

| Hazard level   | Indication  |
|--|---|
|  <b>DANGER</b>  | A hazardous situation which, if not avoided, will result in death or serious injury.  |
|  <b>WARNING</b> | A hazardous situation which, if not avoided, could result in death or serious injury.   |
|  <b>CAUTION</b> | A hazardous situation which, if not avoided, could result in minor or moderate injury.  |
| <b>NOTICE</b>  | <ul style="list-style-type: none"><li>• A potential situation which, if not avoided, could result in undesirable conditions.</li><li>• A practice not related to personal injury.</li></ul> |

### Hazard categories

Hazard categories can either fall under hazard levels or let specific symbols replace the ordinary hazard level symbols. Electrical hazards are indicated by the following specific symbol:



### ELECTRICAL HAZARD

---



---

These are examples of other categories that can occur, they fall under the ordinary hazard levels and may use complementing symbols:

- Crush hazard
- Cutting hazard
- Arc flash hazard

## 1.2 Product warranty

### Coverage

BARMESA undertakes to remedy the following faults in products sold by the manufacturer under the following conditions:

- The faults are due to defects in design, materials or workmanship.
- The faults are reported to the manufacturer representative within the warranty period.
- The product is used only under the conditions described in this manual.
- The monitoring equipment incorporated in the product is correctly connected and in use.
- All service and repair work is done by personnel authorized by the manufacturer.
- Genuine manufacturer parts are used.

### Limitations

The warranty does not cover faults caused by the following:

- Deficient maintenance.
- Improper installation.
- Modifications or changes to the product and installation carried out without consulting the manufacturer.
- Incorrectly executed repair work.
- Normal wear and tear.

BARMESA assumes no liability for the following:

- Bodily injuries.
- Material damages.
- Economic losses.

### Warranty claim

BARMESA products are high-quality products with expected reliable operation and long life. However, should the need arise for a warranty claim, please contact a BARMESA representative.

### Spare parts

We guarantee that spare parts will be available for 10 years after the manufacture of this product has been discontinued.



#### NOTICE

When purchasing pump parts, please provide product code showed at the nameplate.

---

---

## 1.3 Safety



### WARNING

- The operator must be aware of safety precautions to prevent physical injury.
  - Any pressure-containing device can explode, rupture or discharge its contents if it is over-pressurized. Take all necessary measures to avoid over-pressurization.
  - Operating, installing or maintaining the unit in any way that is not covered in this manual could cause death, serious personal injury, or damage to the equipment. This includes any modification to the equipment or use of parts not provided by the manufacturer. If there is a question regarding the intended use of the equipment, please contact a BARMESA representative before proceeding.
  - This manual clearly identifies accepted methods for disassembling units. These methods must be adhered to. Trapped liquid can rapidly expand and result in a violent explosion and injury. Never apply heat to impellers, propellers or their retaining devices to aid in their removal.
  - Do not change the service application without the approval of an authorized BARMESA representative.
- 
- 



### CAUTION

You must observe the instructions contained in this manual. Failure to do so could result in physical injury, damage, or delays.

---

## 1.4 User safety

### General safety rules

- Always keep the work area clean.
  - Pay attention to the risks presented by gas and vapors in the work area.
  - Avoid all electrical dangers. Pay attention to the risks of electric shock or arc flash hazards.
  - Always bear in mind the risk of drowning, electrical accidents, and burn injuries.
- 



### NOTICE

Never operate a unit unless safety devices are installed. Also see specific information about safety devices in other chapters of this manual.

---

### Electrical connections

These must be made by certified electricians in compliance with all international, national, state, and local regulations. For more information about requirements, see sections dealing specifically with electrical connections.

### Hazardous liquids

The product is designed for use in liquids that can be hazardous to your health. Observe these rules when you work with the product:

- Make sure that all personnel who work with biologically hazardous liquids are vaccinated against diseases to which they may be exposed.
- Observe strict personal cleanliness.

---

## Wash the skin and eyes

Follow these procedures for chemicals or hazardous fluids that have come into contact with your eyes or your skin:

| Condition                             | Action   |
|---------------------------------------|--|
| Chemicals or hazardous fluids in eyes | 1. Hold your eyelids apart forcibly with your fingers.<br>2. Rinse the eyes with eyewash or running water for at least 15 min.<br>3. Seek medical attention. |
| Chemicals or hazardous fluids on skin | 1. Remove contaminated clothing.<br>2. Wash the skin with soap and water for at least 1 minute.<br>3. Seek medical attention if necessary.                   |

## 1.5 Environmental safety

### The work area

Always keep the station clean to avoid and/or discover emissions.

### Waste and emissions regulations

Observe these safety regulations regarding waste and emissions:

- Dispose appropriately of all waste.
- Handle and dispose of the processed liquid in compliance with applicable environmental regulations.
- Clean up all spills in accordance with safety and environmental procedures.
- Report all environmental emissions to the appropriate authorities.

### Electrical installation

For electrical installation recycling requirements, consult your local electric utility.

### Recycling guidelines

Always recycle according to the guidelines listed below:

- Follow local laws and regulations regarding recycling if the unit or parts are accepted by an authorized recycling company.
- If the first guideline is not applicable, then return the unit or parts to the nearest BARMESA representative.

## 2. Product description

### 2.1 Pump design

|                      |                            |   |
|----------------------|----------------------------|---|
| FLUID                | TYPE / TEMPERATURE         | Work drainage and sand carrying / 32 - 104 °F             |
| PUMP                 | IMPELLER                   | Open  |
|                      | SHAFT SEAL                 | Double mechanical seal                                    |
|                      | BEARING                    | Sealed ball bearing                                       |
| MOTOR                | TYPE, POLES                | Dry type submersible induction motor, 2 poles             |
|                      | INSULATION                 | Class F   |
|                      | MOTOR PROTECTOR (BUILT-IN) | Circle thermal protector (available only for some models) |
|                      |                            | Miniature protector (non-standard configuration)          |
| LUBRICANT            | Turbine oil VG32           |   |
| DISCHARGE CONNECTION |                            | Hose coupling   |

### 2.2 Intended use

The product is intended for moving waste water, raw and clean water. Always follow the limits given in *Application limits* (page 15). If there is a question regarding the intended use of the equipment, please contact the manufacturer representative before proceeding.




#### WARNING

Only X-Proof approved pumps may be used in an explosive or flammable environment.

#### NOTICE

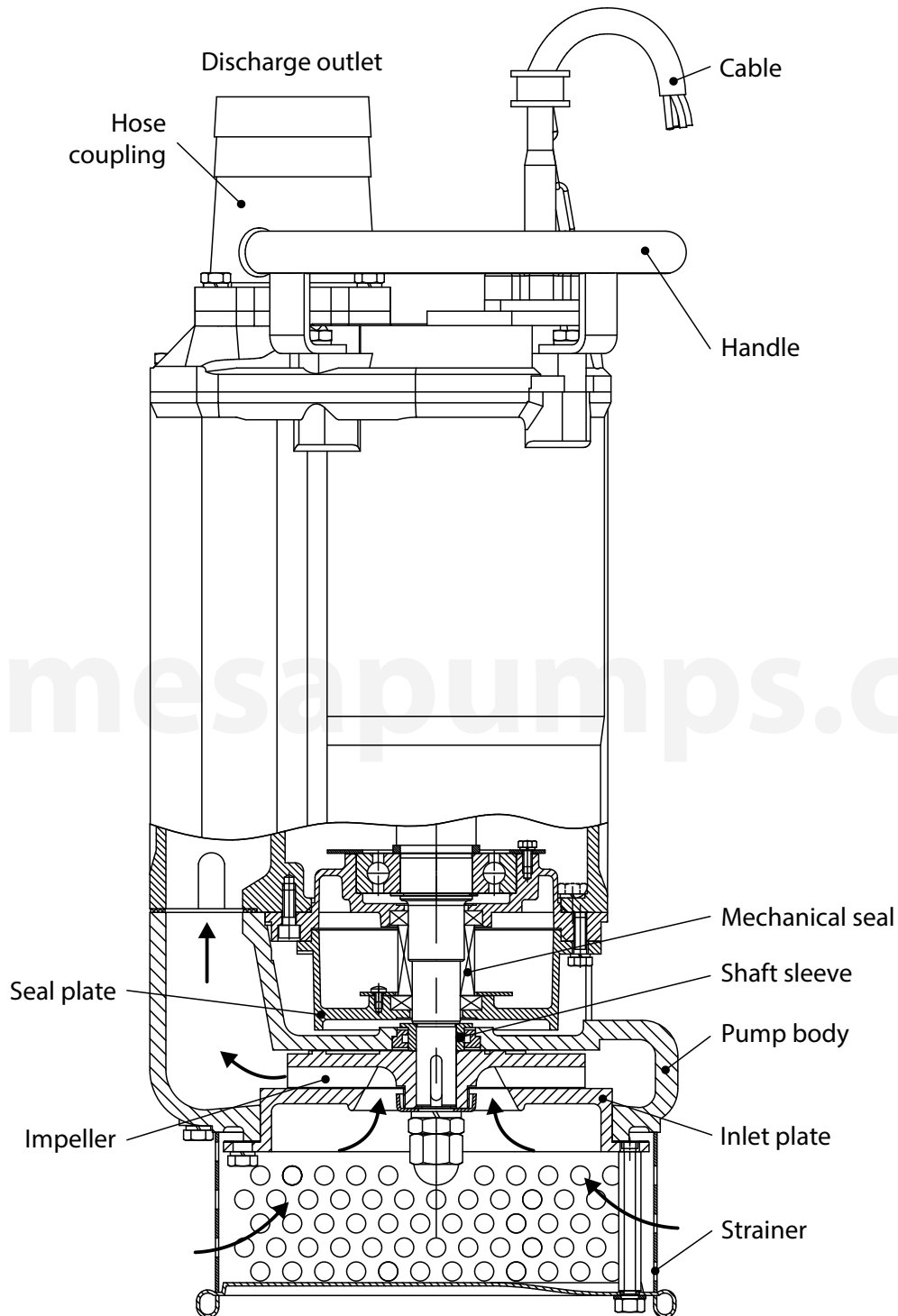
Do NOT use the pump in highly corrosive liquids.

### 2.3 Data plate

| SUBMERSIBLE PUMP  |           | CE         |           |
|---|-----------|------------|-----------|
| Model   | (1)       | Serial     | (15)      |
| Output  | (5) HP    | Max. Flow  | (9) GPM   |
| Discharge   | (10) in   | Max. Head  | (11) ft   |
| (3) V   | Max. Amps | (7) A      | (2) PH    |
| (6) RPM   | (4) Hz    | ICL        | (8) IP 68 |
| T. max.   | (12)      | Weight     | (13) lbs  |
| Max. water depth  | (14) ft   | ← ROTATION |           |
|  |           |            |           |

| No. | Legend             | No. | Legend                 |
|-----|--------------------|-----|------------------------|
| 1   | Pump model         | 9   | Max capacity           |
| 2   | Motor phase number | 10  | Discharge bore         |
| 3   | Voltage            | 11  | Max total head         |
| 4   | Frecuency          | 12  | Max liquid temperature |
| 5   | Power              | 13  | Weight                 |
| 6   | Speed              | 14  | Max inmersion depth    |
| 7   | Rated current      | 15  | Serial number          |
| 8   | Thermal class      |     |                        |

## 2.4 Pump parts names



**NOTE:** This diagram shows the part layout of a typical model. The external appearance and the internal construction may vary slightly, depending on your particular model.

## 2.5 Technical data and function

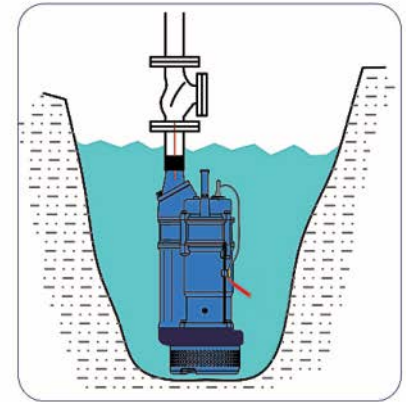
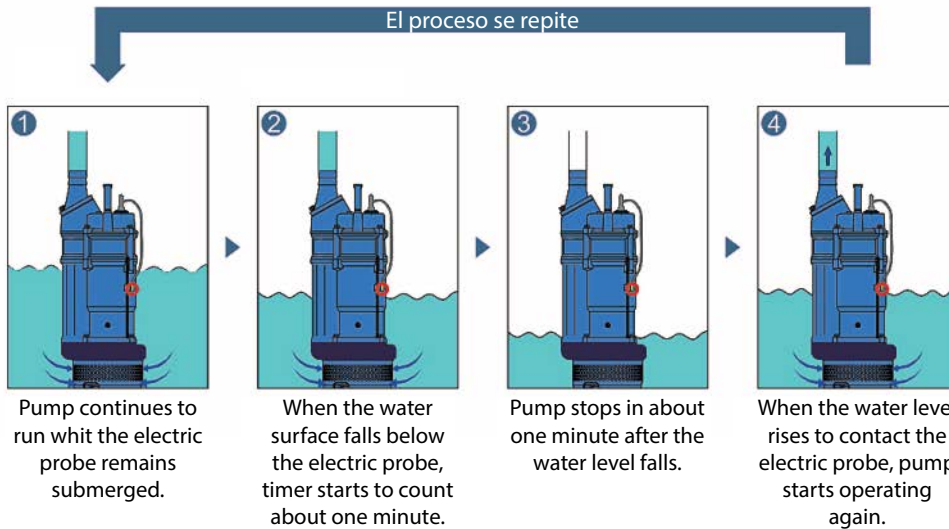
| No. | Category                  | Set value  | Actuation time (s) | Recovery time (s) | Recovery mode (s)   |
|-----|---------------------------|--|--------------------|-------------------|---|
| 1   | Phase loss                | —  | 2                  | —                 | Manually recovery (manually turn off the power, correct and turn on the power). |
| 2   | Impeller jam              | Double rated current                               | 0.1                | —                 | Manually recovery (manually turn off the power, correct and turn on the power). |
| 3   | Phase sequence protection | With power line input errors, the pump won't work. | —                  | —                 | Manually recovery (manually turn off the power, correct and turn on the power). |
| 4   | Over-current protection   | $\geq 1.2$ times rated current                     | 30                 | 300               | Automatic recovery  |
| 5   | Low-voltage protection    | $\leq 323$ V                                       | 5                  | 300               | Automatic recovery  |
| 6   | Over-voltage protection   | $\geq 460$ V                                       | 5                  | 300               | Automatic recovery  |
| 7   | Temperature protection    | Winding $\geq 257 \pm 41$ °F                       | 0.1                | —                 | Automatic recovery $\leq 176 \pm 50$ °F   |
| 8   | Water level control       | Stated otherwise                                   | —                  | —                 | —   |

Note: Metal head of electrode will be ON when touching the water, OFF when leaving water.

### Water-level control mode

- a. When the pump is power on, if floating switch (or water-level detector) is "ON", it means the pump starts to work.
- b. In the running of the pump, if floating switch (or water-level detector) is "OFF", it means the pump will stop working after 60 s continuous working, but if floating switch (or water-level detector) is "ON" again in 60 s after "OFF", the pump will be non-stop.
- c. Stop time: After the pump stops for low water-level, it will not start within 60 s, even if floating switch (or water-level detector) is ON, unless plug in the power again after power off.
- d. Recovery mode: The pump stops for low water-level, it will start when floating switch (or water-level detector) is ON.

## Control automático



If the water capacity of the pit is small, in order to avoid frequent start-ups, a rubber ball check valve should be installed at the outlet junction. Also move the electrode up as far as possible.

## 3. Prior to use

### 3.1 Inspect the product

1. Inspect the package for damaged or missing items upon delivery.
2. Unpack and verify that no damage has occurred during shipment and that bolts and nuts have not loosened.
3. File a claim with the shipping company if anything is out of order.

#### NOTICE

If the product has been picked up at a distributor, make a claim directly to the distributor.

### 3.2 Inspect the specifications

Check the nameplate of the pump unit to verify that it is the product that you have ordered. Pay particular attention to its voltage and frequency specifications.

#### NOTICE

If you discover any damage or discrepancy, please contact with the BARMESA dealer from whom you purchased the product or the nearest manufacturer representative office.

### 3.3 Product specifications



#### CAUTION

Do not use the product under conditions other than those specified. Doing so may lead to short, electrical shock or fire, or might inhibit the product from attaining its full potential.

### 3.4 Starting method

Direct-on-line start.

---

## 4. Installation

---



### DANGER

Disconnect and lock out electrical power before installing or servicing the unit.

---

---

### WARNING

- Do not install the starter equipment in an explosive zone unless it is explosion-proof rated.
  - Make sure that the unit cannot roll or fall over and injure people or damage property.
- 



### WARNING

Electrical shock hazard. Check that the cable and cable entry have not been damaged during transport before installing the pump.

---

---

### NOTICE

Never force piping to make a connection with a pump.

---

These requirements apply for the installation:

- Use the pump dimensional drawing in order to ensure proper installation.
  - Provide a suitable barrier around the work area, for example, a guard rail.
  - Check the explosion risk before you weld or use electric hand tools.
  - Remove all debris from the inlet piping system before you install the pump.
  - Always check the impeller rotation before lowering the pump into the pumped liquid.
- 



### CAUTION

- The supply voltage variation:
    - a. Continuous running:  $\pm 5\%$  max. rated voltage.
    - b. Intermittent running:  $\pm 10\%$  max. rated voltage.
  - To use the pump, the water temperature should be between 32 and 104 °F.
  - The pump should be used only for pumping plain water. The pump should not be used to pump fluids such as oil, salt water, or organic solvents.
  - The pump must never be used to pump explosive liquids and should not be operated in an area from whom explosive elements might be present.
  - The pump must not be used in a partially disassembled state.
  - Do not use the pump in an area where the water pressure exceeds the values given below, as it may damage the pump, or cause a short or electrical shock.
- 

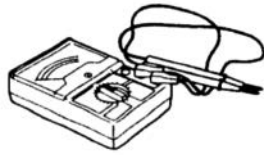
### Maximum immersion depth

| Model      | Depth   |
|------------|---|
| 2 - 3 HP   | 0.5 MPa (72 pound/in <sup>2</sup> ) - Discharge pressure during use |
| 5 - 7.5 HP | 0.5 MPa (72 pound/in <sup>2</sup> ) - Discharge pressure during use |
| 10 - 20 HP | 0.5 MPa (72 pound/in <sup>2</sup> )                                 |



## 4.1 Preparation for installation

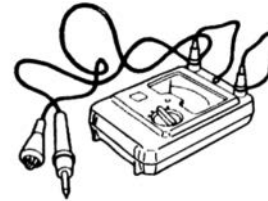
Listed below are tools and instruments that are needed to install the submersible pump for general dewatering purpose:



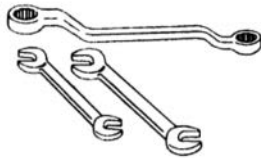
AC voltmeter  
(tester)



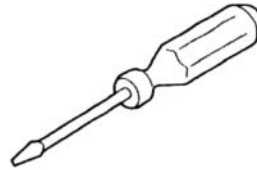
AC ammeter  
(clamp)



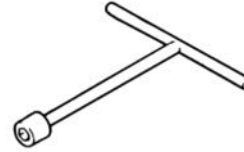
Insulation resistance tester  
(megger tester)



Wrenches for fastening  
bolts and nuts



Wrenches for connecting the power supply  
(a screwdriver or a box wrench)



### Pre-installation check

Measure the resistance between each of the core wires and the ground wire (yellow/green) to verify the insulation resistance of the motor.

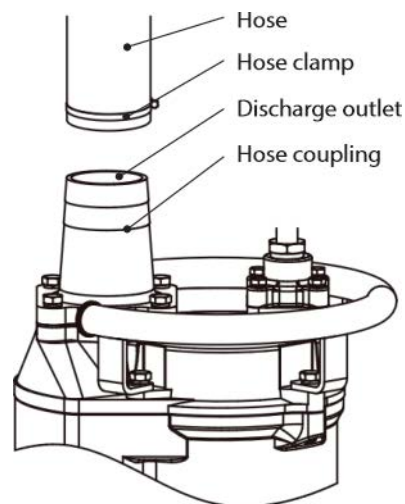
#### NOTICE

Insulation resistance reference value is  $\geq 30 \text{ M}\Omega$ .

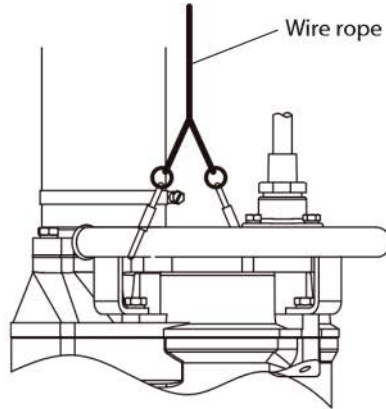
## 4.2 Install the pump

The pump is transportable and intended to operate either completely or partially submerged in the pumped liquid. The pump is equipped with a connection for hose or pipe.

1. Run the cable so that it has no sharp bends is not pinched, and cannot be sucked into the pump inlet.
2. Push the hose all the way to the base of the hose coupling. Tighten the hose clamp to secure the hose in place.



3. Handle the pump carefully. When suspending the pump to raise or to lower it, attach a wire rope or a chain to the pump's handle.

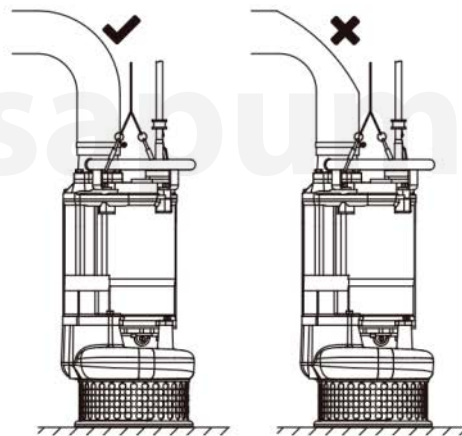


4. Install the pump only in an area that can maintain a proper water level.

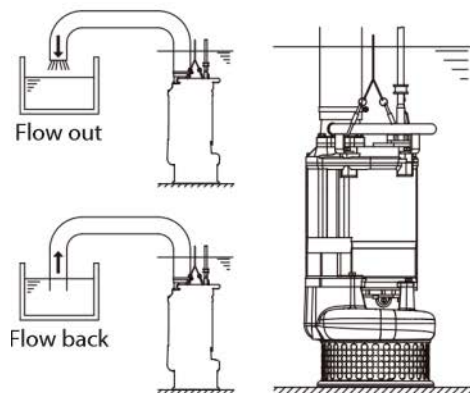
**NOTE**

For details on the water level necessary for pump operation, refer to the section on "Water Level During Operation" on page 25 of this manual.

5. The discharge hose can be run vertically or horizontally, but must be without sharp bends.



6. When using a hose to provide piping to the pump, observe the following: Use the shortest possible length of discharge hose and minimize the number of bends. Verify that the end of the hose (discharge side) is lifted above the water surface. If the end of the hose is submerged in water, it may cause the water to flow back when the pump has been stopped. If the end of the hose is located at a level that is lower than that of the source water surface, water may continue to flow out even after the pump has been stopped.



**CAUTION**

If an excessive amount of sediment is drawn into the pump, it may cause the pump to wear, which can lead to current leakage or electrical shock.

---

---

**NOTE**

Appropriate piping materials must be provided by the user. Piping materials are not included with the product.

---

## 4.3 Make the electrical connections

### General precautions

---

**ELECTRICAL HAZARD**

- A certified electrician must supervise all electrical work. Comply with all local codes and regulations.
  - Before starting to work on the unit, make sure that the unit and the control panel are isolated from the power supply and cannot be energized. This applies to the control circuit as well.
  - Leakage into the electrical parts can cause damaged equipment or a blown fuse. Keep the end of the motor cable above the liquid level.
  - Make sure that all unused conductors are insulated.
  - There is a risk of electrical shock or explosion if the electrical connections are not correctly carried out or if there is fault or damage on the product.
- 
- 

**WARNING**

Do not install the starter equipment in an explosive zone unless it is explosion proof rated.

---

### Requirements

These general requirements apply for a electrical installation:

- The main voltage and frequency values must agree with the specifications on the data plate.
- The fuses and circuit breakers must have the proper rating, and the pump overload protection (motor protection breaker) must be connected and set to the rated current according to the data plate and if applicable the cable chart. The starting current in direct-on-line start can be up to six times higher than the rated current.
- The fuse rating and the cables must be in accordance with the local rules and regulations.
- If intermittent operation is prescribed, then the pump must be provided with monitoring equipment supporting such operation.

---

## 4.4 Grounding

---



### **ELECTRICAL HAZARD**

- You must ground all electrical equipment. This applies to the pump equipment, the driver and any monitoring equipment. Test the ground lead to verify that it is connected correctly.
  - If the motor cable is jerked loose by mistake, the ground conductor should be the last conductor to come loose from its terminal. Make sure that the ground conductor is longer than the phase conductors. This applies to both ends of the motor cable.
  - Risk of electrical shock or burn. You must connect an additional ground fault protection device to the grounded connectors if persons are likely to come into physical contact with the pump or pumped liquids.
- 
- 



### **WARNING**

To prevent damaging the pump and causing current leakage, which may lead to electrical shock, be sure to install the ground wire securely.

---

---



### **CAUTION**

To prevent electrical shock caused by improper grounding, do not connect the ground wire to a gas pipe, water pipe, lightning rod, or telephone ground wire.

---

---

## 4.5 Connecting the cables

These are the requirements to follow when you install cables:

- The cables must be in good condition, not to have any sharp bends, and not be pinched.
  - The sheathing must not be damaged and must not have indentations or be embossed (with markings, etc.) at the cable entry.
  - The cable entry seal sleeve and washers must conform to the outside diameter of the cable.
  - The minimum bending radius must not be below the accepted value.
  - If using a cable which has been used before, a shod piece must be peeled off when refitting it so that the cable entry seal sleeve does not close around the cable at the same point again. If the outer sheath of the cable is damaged, then replace the cable. Contact the manufacturer service shop.
  - The voltage drop in long cables must be taken into account. The drive unit's rated voltage is the voltage measured at the cable connection point in the pump.
- 
- 



### **WARNING**

Before connecting the cable to the terminal board, make sure that the power supply (i.e. circuit breaker) is properly disconnected. Failure to do so may lead to electrical shock, short or injury caused by the unintended starting of the pump.

---

---



## CAUTION

- If the cable must be extended, use an extension cable with the same or larger core size as that of the cable that is provided with the pump. Using a cable of proper size will prevent the motor from attaining its full potential or may cause the cable to overheat, which may lead to fire, current leakage or electrical shock.
- If a cable with a cut or damaged sheath is submerged in water, the water may enter the pump and cause the motor to short. This will damage the pump, which may lead to current leakage, or electrical shock, or bum-out.
- To prevent the cable from cuts or twists, which will damage the pump and may lead to current leakage, electrical shock, or fire, be sure that the tires of vehicles do not run over the cable.
- If the cable must be submerged in water, be sure to mold the connection portion completely. Failure to do so may lead to current leakage, electrical shock, or bum-out.

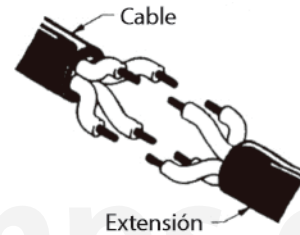
Never submerge the ends of a cable in water.



To prevent water from entering inside the cable, be sure to securely mold the cable connection portion.



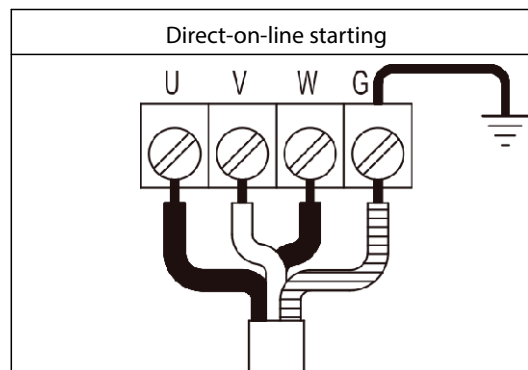
If the cable must be extended, use an extension cable with the same or larger core size as that of the cable that is provided with the pump.



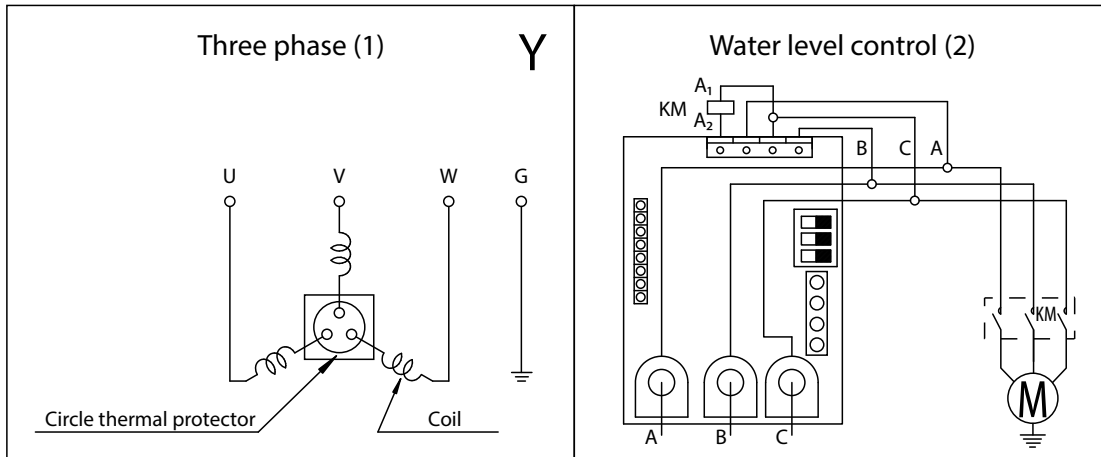
To avoid damaging the cable, arrange the cable run so that the cable is not bent, kinked or pressed against a structure.



1. Tighten the ends of the cable securely against the terminal board.
2. The figure on the right shows how to connect the cable properly.



## Electric circuit diagrams



## 5. Operation

### Precautions



#### **DANGER**

If you need to work on the pump, make sure that it is isolated from the power supply and cannot be energized.



#### **WARNING**

- Never operate the pump without safety devices installed.
- Never operate the pump with the discharge hose blocked, or the discharge valve dosed.
- Make sure you have a clear path of retreat.
- Never work alone.



#### **CAUTION**

If the pump is equipped with automatic level control and/or internal contactor, there is a risk of sudden restart.



### Distance to wet areas



#### **ELECTRICAL HAZARD**

- Risk of electrical shock. Make sure no one gets closer than 65 ft to the unit when being in contact with the pumped or mixed liquid.
- Risk of electrical shock. This unit has not been investigated for use in swimming pools. If used in connection with swimming pools special safety regulations apply.

### 5.1 Before operation



#### **CAUTION**

Improper voltage and frequency of the power supply will prevent the pump from attaining its full potential, and may also lead to current leakage, electrical shock or fire.

- 
1. Once again, check the nameplate of the pump to verify that its voltage and frequency are correct.
  2. Check the wiring, power supply voltage, the capacity of the ground leakage circuit breaker and the insulation resistance of the motor.
- 

### **NOTICE**

Insulation resistance reference value is  $\geq 30 \text{ M}\Omega$ . Please refer page 16 for the test method.

---

3. Adjust the setting of the overflow protector (i.e. circuit breaker) to the pump's rated current.
4. When using a generator, as much as possible avoid operating the pump in conjunction with other types of equipment.

## **5.2 Trial operation**

---



### **WARNING**

- Make sure that the unit cannot roll or fall over and injure people or damage property.
  - In some installations, the pump and the surrounding liquid may be hot. Bear in mind the risk of burn injuries.
  - Make sure nobody is close to the unit when it is started. The unit will jerk in the opposite direction of the impeller rotation.
- 



### **CAUTION**

Make sure to check the pump's direction of rotation when the pump is exposed to atmosphere. Operating the pump in reverse while it is submerged in water will damage the pump, which may lead to current leakage, electrical shock or fire.

---

---

### **NOTICE**

- Inspect the pump. Check that there is no physical damage to the pump or cables.
  - Check the oil level in the oil housing.
  - Remove the fuses or open the circuit breaker and check that the impeller can be rotated freely.
  - Check that the monitoring equipment (if any) works.
- 

1. Operate the pump for a short time (1 to 2 seconds), and then check the correct pump rotation.
- 



### **WARNING**

Before changing the connections for reverse rotation, make sure that the power supply (i.e. circuit breaker) is properly disconnected and that the impeller has stopped completely. Failure to observe this may lead to serious accidents, including electrical shock, short or injury.

---

- Use a phase rotation indicator to check the correct pump rotation.
- 

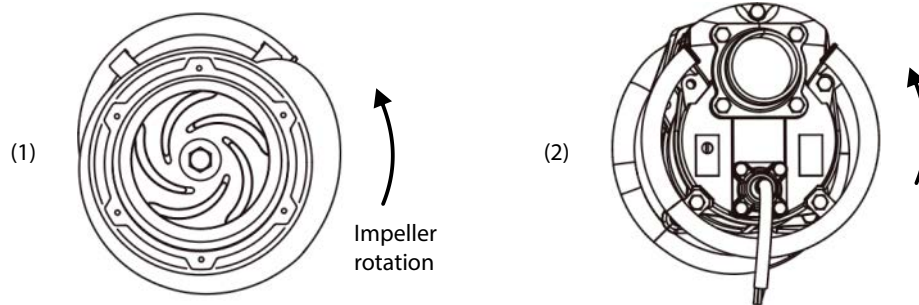
### **NOTICE**

When using a phase rotation indicator, read the operation manual with it.

---

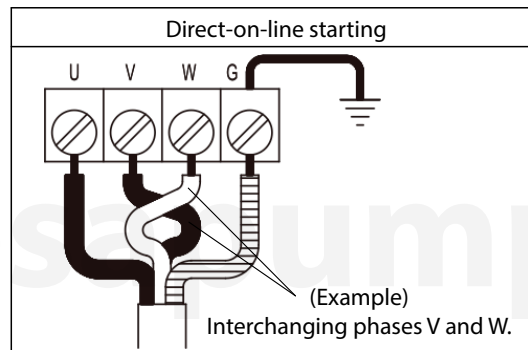
## How to verify the correct pump rotation

- By looking at the impeller. The rotation of the impeller should be counter-clockwise as shown in the figure (1).
- By looking from the top of the pump. Since the impeller cannot be seen, the best way to check the rotation is to check the kick-back motion of the pump when the pump just starts. The kick-back motion of the pump should be counter-clockwise as shown in figure (2).



## Countermeasure: how to invert the rotation on three phase

- Interchange two of the three wires designated U, V and W respectively.



2. Operate the pump for one minute or less and perform the following checks:

- **Operating current**  
Use an AC ammeter (clamp) to measure the current at the phase U, V & W that are connected to the terminal board.
- **Operating voltage**  
Use an AC voltmeter (tester) to measure the voltage at the terminal board. Power supply voltage tolerance is  $\pm 10\%$  of the rated voltage.
- **Vibration**



### CAUTION

If the pump generates a considerable amount of vibration, noise or smell, disconnect the power supply immediately and contact the dealer where you purchased the equipment or a BARMESA sales office in your area.

3. Continue operations if no abnormal conditions are found during the trial operation.

## 5.3 Operation



### WARNING

- The pump may be extremely hot during operation. To prevent burns, do not touch the pump with bare hands.



- 
- Do not insert your finger or a stick into the pump's inlet opening. Doing so may cause injury, electrical shock, short, or fire.
  - When the pump is not used for a long time, make sure that the power supply (such as a breaker) is properly disconnected. If the wiring insulation deteriorates with the power supply connected, it may cause current leakage, electrical shock or fire.
  - During inspection and repair, disconnect the power supply to avoid starting the pump unintentionally. Failure to disconnect the power supply may lead to serious accidents including electrical shock and injury.
  - During a power outage, disconnect the power supply to the pump. Unintentional operation of the pump after power resumption would be extremely dangerous to people around the pump.
- 



### CAUTION

- Unless the cause of a problem is removed, the pump will repeat the stop-and-go cycle, eventually resulting in damage to the pump, and causing current leakage and electrical shock. Therefore, after verifying that the power supply is disconnected, find and correct the cause of the problem through inspection and repair.
  - Do not operate the pump at unusually low head, or when the strainer is clogged with debris. Doing so will prevent the pump from attaining its full potential, and may also generate abnormal noise and vibration and cause damage to the pump, which may lead to current leakage, electrical shock and fire.
- 

To protect the motor, if a current overload occurs in the motor or if the motor overheats under the conditions given below, the pump will stop automatically, regardless of the water level during operation:

- Extreme fluctuation of power supply voltage.
- Pump operated under overload condition.
- Pump operated at open phase or binding condition.

## 5.4 Motor protection system

---



### WARNING

#### 1. Circle thermal protector

Some of the pumps are equipped with an internal motor protective device (circle thermal protector). If an excessive current is detected or the motor overheats, for reasons such as the following, the pump will automatically stop operating regardless of the water level to protect the motor:

- Change in supply voltage polarity.
- Overload.
- Open-phase operation or operation under constraint.

#### 2. Miniature protector (non-standard configuration)

This protector is embedded inside the motor coil. If the coil should overheat for any reason, bending of the bimetal of the miniature protector triggers a signal, which in turn causes an external circuit in the starting console or control panel to shut off the motor current. When the temperature returns to normal, the protector is automatically reset, but restarting is controlled from the starting console or control panel.

---



### WARNING

A b-contact miniature protector is adopted, which is normally "closed" and goes to "open" upon overheating.

To protect the motor from current surges, be sure to install a motor breaker, thermal relay or similar device in the external starting console or control panel.

## 5.5 Water level during operation

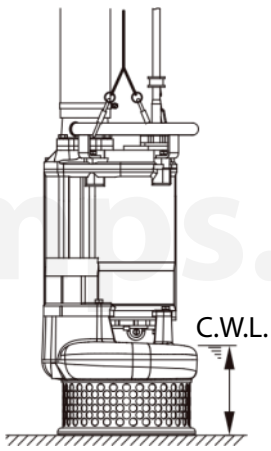
Pay attention to the water level during the pump operation. The pump will become damaged if it is allowed to operate dry.



### CAUTION

- Do not operate the pump below the continuous running water Level (C.W.L.), as doing so will damage the pump, causing current leakage and electrical shock.

The table below shows the water level during operation by output. Make sure that the water level will not be under these levels.

| MODEL      | C.W.L.  |   |
|------------|---------|---|
| 2 - 3 HP   | 4.72 in |  |
| 5 - 7.5 HP | 5.9 in  |   |
| 10 - 20 HP | 7.5 in  |   |

The water level for the models which are not included in the tables: as per the picture shown, the lowest water level should submerge the pump body.

## 6. Maintenance and inspection

### Precautions



### CAUTION

Disconnect and lock out electrical power before installing or servicing the unit.



### WARNING

- Always follow safety guidelines when working on the product.
- Make sure that the unit cannot roll or fall over and injure people or damage property.
- Rinse the unit thoroughly with clean water before working on the unit.
- Rinse the components in water after dismantling.

Make sure that you follow these requirements:

- Check the explosion risk before you weld or use electrical hand tools.
- Allow all system and pump components to cool before you handle them.
- Make sure that the product and its components have been thoroughly cleaned.
- Do not open any vent or drain valves or remove any plugs while the system is pressurized. Make sure that the pump is isolated from the system and that pressure is relieved before you disassemble the pump, remove plugs or disconnect piping.

### Washing the pump

Remove any debris attached to the pump's outer surface and wash the pump with tap water. Pay particular attention to the impeller area and completely remove any debris from the impeller.

### Inspecting the exterior of the pump

Verify that the paint is not peeled, that there is no damage and that the bolts and nuts have not loosened. If the paint has peeled, allow the pump to dry and apply touch-up paint.

---

#### NOTE

Touch-up paint must be provided by the user. If the pump must be disassembled due to damage or loose bolts or nuts, contact the dealer from whom you purchased the equipment or the BARMESA sales office in your area.

---

## 6.1 Inspection

| Interval   | Inspection item   |
|------------|---|
| Monthly    | Measuring insulation resistance <ul style="list-style-type: none"><li>• Cold insulation resistance reference value <math>\geq 20 \text{ M}\Omega</math> min.</li><li>• Thermal insulation resistance reference value <math>\geq 1 \text{ M}\Omega</math> min.</li></ul> Note: The motor must be inspected if the insulation resistance is considerably lower than that obtained during the last inspection. |
|            | Measure the load current <ul style="list-style-type: none"><li>• To be within the rated current.</li></ul>  |
|            | Measuring the power supply voltage <ul style="list-style-type: none"><li>• Power supply voltage tolerance.<ol style="list-style-type: none"><li>a. Continuous running: max. <math>\pm 5\%</math> of the rated voltage.</li><li>b. Intermittent running: max. <math>\pm 10\%</math> of the rated voltage.</li></ol></li></ul>  |
|            | Inspecting the impeller <ul style="list-style-type: none"><li>• If the performance level has decreased considerably, the impeller may be worn.</li></ul>  |
| Semiannual | Inspection of the lifting chain or rope.<br>Inspecting and changing oil.  |
| Annual     | Changing the oil and replacing the mechanical seal in the chamber.<br>Note: Contact the dealer from whom you purchased the equipment to inspect and replace the mechanical seal.  |

| Interval                | Inspection item  |
|-------------------------|--|
| Once every 2 to 5 years | <p>Overhaul</p> <ul style="list-style-type: none"> <li>The pump must be overhauled even if the pump appears normal during operation. The pump may need to be overhauled earlier if it is used continuously or repeatedly.</li> </ul> <p>Note: Contact the dealer from whom you purchased the equipment to overhaul the pump.</p> |

## 6.2 Storage

If the pump will not be operated for a long period of time, pull the pump up, allow it to dry and store it indoors.

### NOTE

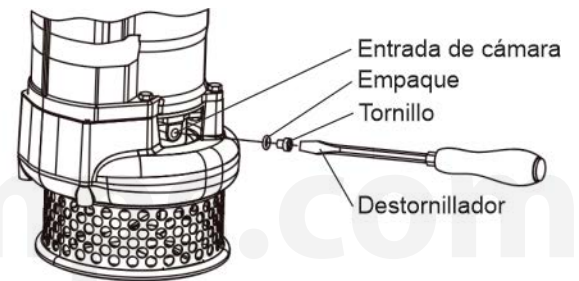
Be sure to perform a trial operation before reinstalling the pump. If the pump remains immersed in water, operate the pump on a regular basis (i.e. once a week) to prevent the impeller from seizing due to rust.

## 6.3 Maintenance

### Inspecting oil

- Designated oil: turbine oil Vg32.
- Oil volume: specified.

Remove the oil plug and take out a small amount of oil. The oil can be extracted easily by tilting the pump so that the oil plug faces downward. If the oil appears discolored or intermixed with water, a likely cause is a defective shaft sealing device (i.e. mechanical seal), which requires that the pump be disassembled and repaired.



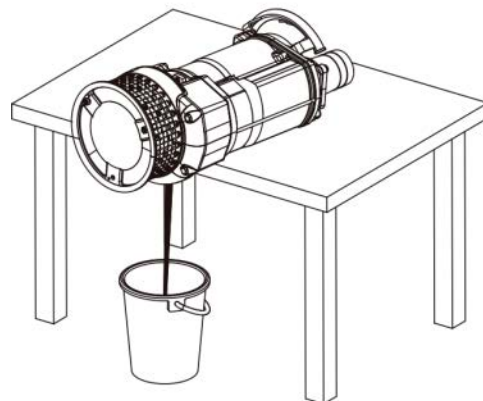
### Changing oil

Remove the oil plug and drain the oil completely. Pour a specified volume of oil into the oil filler inlet.

### NOTE

- The drained oil must be disposed of by waste disposal contractors in compliance with the laws of the located where the pump is being used.
- The gasket and the O-ring for the oil filler plug must be replaced with a new part at each oil inspection and change.

| Model      | Specified oil volume (oz.) |
|------------|----------------------------|
| 2 - 3 HP   | 21                         |
| 5 - 7.5 HP | 37.2                       |
|            | 37.2                       |
| 10 - 20 HP | 27                         |
|            | 27                         |
|            | 27                         |



---

The oil volume for the models which are not included in the tables: about 80% of the total oil cylinder capacity (theoretically, the oil level should cover the mating ring).

**The parts listed below are dispensable items. As a rule of thumb, use the replacement period as a guide to replacing these parts.**

| Part name         | Replacement condition  |
|-------------------|--|
| Gasket and O-ring | Each disassembly or inspection                               |
| Oil seal          | Each disassembly or inspection or if the sealing lip is worn |
| Neck ring         | When worn  |
| Shaft sleeve      | When worn  |

## 6.4 Disassembly and reassembly procedure



### **DANGER**

Disconnect and lock out electrical power before installing or servicing the unit.

---

---



### **WARNING**

A worn impeller and/or pump housing can have very sharp edges. Wear protective gloves.

---

---



### **CAUTION**

Make sure to perform a trial operation when starting the pump after a reassembly. If the pump was assembled improperly, it may lead to abnormal operation, electrical shock or water damage.

---

---

## Disassembly procedure for 2 - 3 HP

---

### NOTE

Before disassembling, be sure to drain the oil from the pump. Models 2 & 3 HP have the same construction. However, models 5 & 7.5 HP are constructed without shaft sleeve.

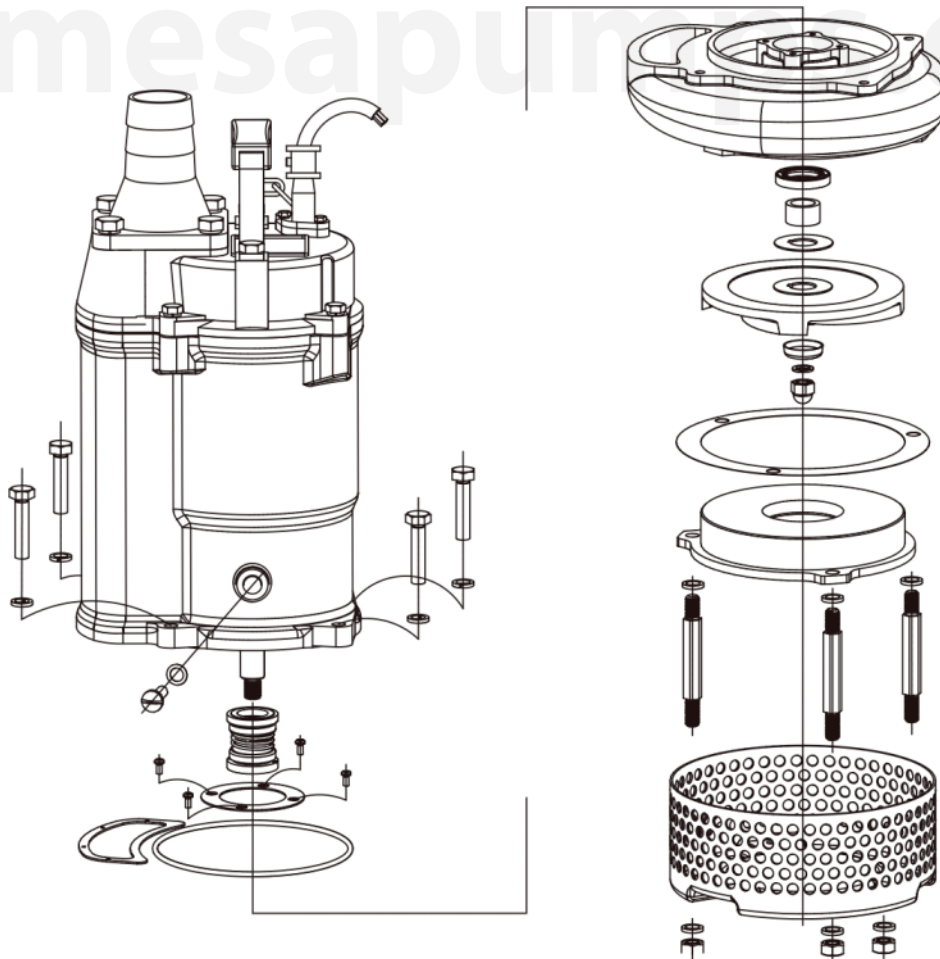
---

- 1. Removing the strainer stand.** Remove the hexagonal nut and the plain washer from the bottom and remove the strainer stand from the pump.
  - 2. Removing the suction cover.** Remove the hexagonal bolt (except 2 & 3 HP), plain washer and the stud bolt with the plain washer, and remove the suction cover packing from the pump.
  - 3. Removing the impeller.** Using a box wrench, remove the impeller nut, spring washer and impeller thread protective cover; then remove the impeller, impeller adjusting washer, shaft sleeve (except 5 & 7.5 HP) from the main shaft.
  - 4. If necessary, remove the pump casing, oil seal, O-ring and remove the mechanical seal.** After removing the hexagonal bolt and the spring washer, remove the pump casing from the pump. At this time, be careful not to damage the sliding surface of the mechanical seal. Remove the mechanical seal from the main shaft.
- 

### NOTE

The replacement or maintenance of the mechanical seal must be handled by the qualified staff. If you see any omissions, contact the dealer from whom you purchased the equipment.

---



---

## Disassembly procedure for 5 - 20 HP

---

### NOTE

Before disassembling, be sure to drain the oil from the pump.

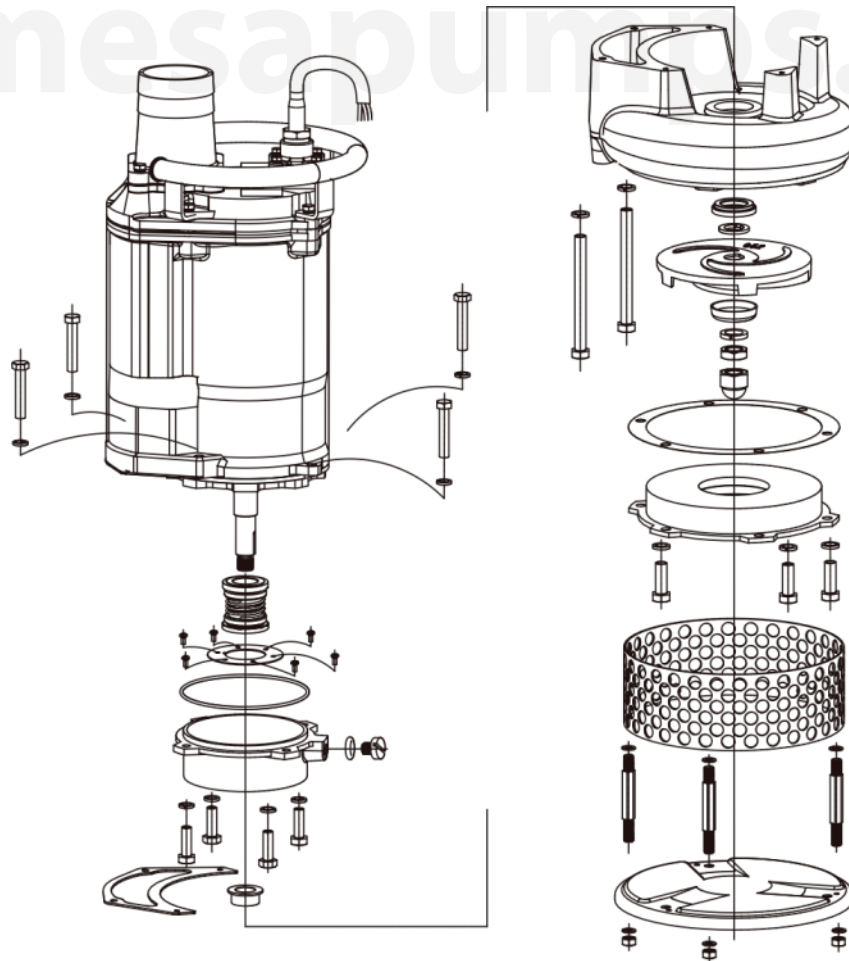
---

- 1. Removing the bottom plate and the strainer.** After removing the hexagonal nut and the plain washer from the bottom, remove the bottom plate and the strainer from the pump.
  - 2. Removing the suction cover.** After removing the hexagonal bolt, plain washer, stud bolt and the plain washer, remove the suction cover and the suction cover packing from the pump.
  - 3. Removing the impeller.** Using a box wrench, remove the impeller nut, hexagonal nut and the impeller thread protective cover, then remove the impeller and the impeller adjusting washer from the main shaft.
  - 4. Removing the pump casing.** After removing the hexagonal bolt and the spring washer, remove the pump casing, neck ring, O-ring and the shaft sleeve from the pump.
  - 5. Remove the oil casing if necessary, and remove the mechanical seal.** After removing the hexagonal bolt and the spring washer, remove the oil casing from the pump. At this time, be careful not to damage the sliding surface of the mechanical seal. Remove the mechanical seal from the main shaft.
- 

### NOTE

The replacement or maintenance of the mechanical seal must be handled by the qualified staff. If you see any omissions, contact the dealer from whom you purchased the equipment.

---



---

## Reassembly procedure

1. The reassembly procedure is the reverse sequence of disassembly.

---

### NOTE

- After completing reassembly, do not forget to pour the specified amount of oil into the pump.
  - The gaskets and o-rings must be replaced with new parts. Also replace any parts that are worn or damaged.
- 

2. Using a clean rag without oil, wipe the sliding surface of the mechanical seal. Apply oil to the outer circumference of the cushion rubber to facilitate insertion.

---

### NOTE

For further details on how to install the mechanical seal, refer to the "Mechanical seal handling procedure" that comes with the mechanical seal that is sold separately as a spare part.

---

3. After installing the impeller, and after completing the reassembly, check that the impeller rotates smoothly and that it does not come in contact with the diffuser.

4. To make sure that the pump operates normally, perform a trial operation before placing the pump back into service.

## 7. Troubleshooting



---

### DANGER

Personal injury hazard. Troubleshooting a live control panel exposes personnel to hazardous voltages. Electrical troubleshooting must be done by a qualified electrician. Failure to follow these instructions will result in serious personal injury, death and/or property damage.

---

---



---

### WARNING

Always disconnect and lock out power before servicing to prevent unexpected startup. Failure to do so could result in death or serious injury.

---

Read this operation manual carefully before requesting repair. After re-inspecting the pump, if it does not operate normally, contact the dealer from whom you purchased the equipment, or the BARMESA sales office in your area.

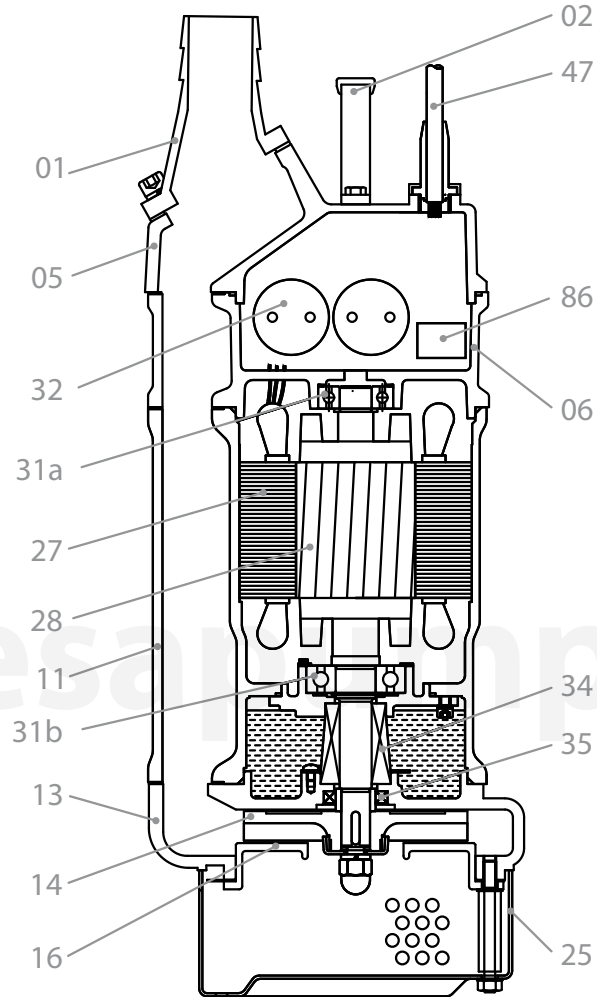


## Troubleshooting

| Symptom  | Cause  | Countermeasure  |
|--|--|---|
| Pump fails to start.   | No power is supplied (i.e. power outage).                                | Contact the electric power company or an electrical repair shop.  |
|  | Open circuit or poor connection of the cable.                            | Check if there is an open circuit in the cable or wiring.   |
|  | Impeller is obstructed.  | Inspect the pump and remove the obstruction.  |
| Pump starts but stops immediately, causing the motor protector to actuate. | Impeller is obstructed.  | Inspect the pump and remove the obstruction.  |
|  | Voltage drop.  | Correct the voltage to the rated voltage, or use an extension cable that meets the standard.                                    |
|  | Failure round thermal protector or protective device.                    | Replacement or adjustment.  |
|  | Incorrect frequency.   | Check the nameplate and replace the pump or the impeller.   |
|  | The strainer is obstructed and the pump was operated dry for long hours. | Remove the obstruction.   |
|  | Motor abnormal.  | Repair the motor or replace with a new motor.   |
|  | The pump is picking up too much sediment.                                | Place a concrete block under the pump to prevent the pump from picking up sediment.   |
| The pump's head and pumping volume is lower.                               | The impeller or suction cover is worn.                                   | Replace.  |
|  | The hose may be kinked or clogged.                                       | Minimize the number of bends in the hose. (In an area with a large amount of debris, use the pump in a meshed basket.)          |
|  | The submerge depth of pump is too shallow, there is air inhalation.      | Adjust the submerge depth until the pump is submerged.  |
|  | Check if the gate valve is open.   | Open gate valve.  |
|  | The strainer is obstructed or buried.                                    | Remove the obstruction. Place a concrete block under the pump to prevent the pump from picking up sediment.                     |
|  | The motor rotates in reverse.  | Interchange the power supply terminal connection.   |
| The pump generates noise or vibration.                                     | The bearing of the motor may be damaged.                                 | To replace the bearing, contact the dealer from whom you purchased the equipment or the manufacturer sales office in your area. |
|  | The shaft is bending.  | Correct or contact with the nearest BARMESA dealer.   |

▶ Sectional view drawing & parts list

2KTM201



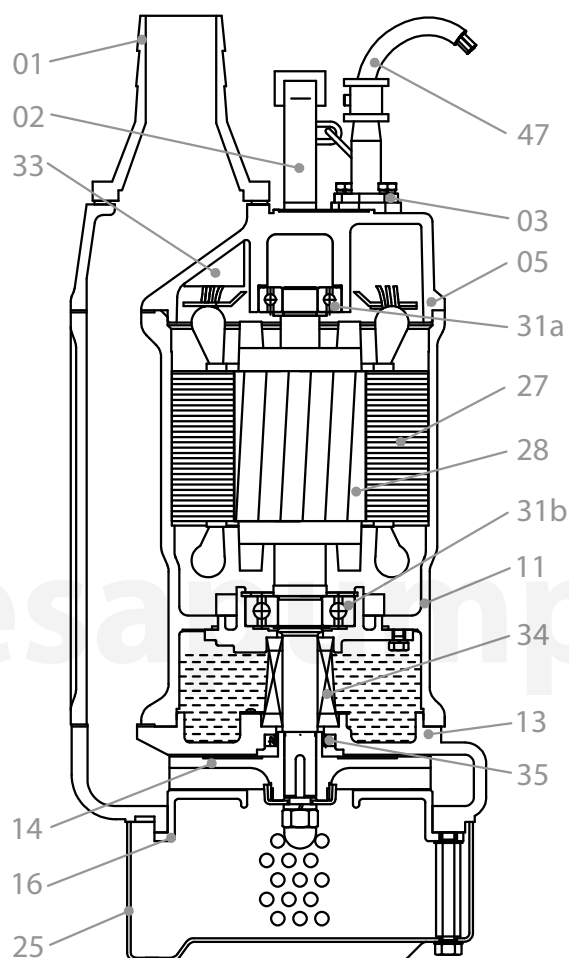
| Item no. | Part name      | Material          |
|----------|----------------|-------------------|
| 01       | House coupling | Cast iron         |
| 02       | Handle         | Rubber & steel    |
| 05       | Upper cover    | Cast iron         |
| 06       | Upper support  | Cast iron         |
| 11       | Motor body     | Cast iron         |
| 13       | Pump body      | Cast iron         |
| 14       | Impeller       | High chrome alloy |
| 16       | Inlet plate    | Ductile iron      |
| 25       | Strainer       | Steel             |

| Item no. | Part name          | Material             |
|----------|--------------------|----------------------|
| 27       | Stator             | -                    |
| 28       | Rotor              | Shaft: AISI 420 SS   |
| 31a      | Bearing            | Ball bearing         |
| 31b      | Bearing            | Ball bearing         |
| 32       | Capacitor          |                      |
| 34       | Mechanical seal    | SiC-SiC / Carbon-SiC |
| 35       | Oil seal           |                      |
| 47       | Cable              |                      |
| 86       | Centrifugal switch |                      |

► Vista seccionada y lista de partes

2KTM203

2KTM204

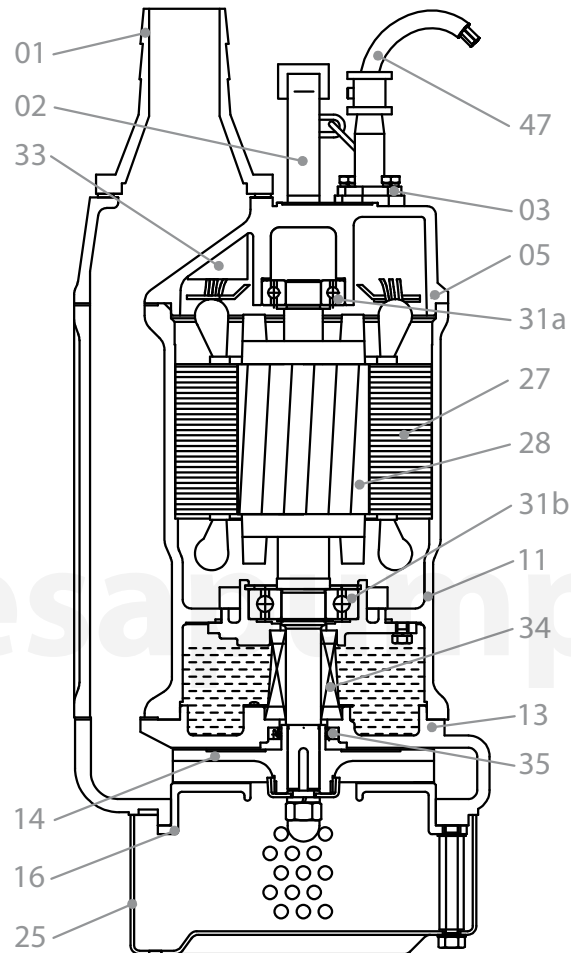


| Item no. | Part name      | Material          |
|----------|----------------|-------------------|
| 01       | House coupling | Cast iron         |
| 02       | Handle         | Rubber & steel    |
| 05       | Upper cover    | Cast iron         |
| 11       | Motor body     | Cast iron         |
| 13       | Pump body      | Cast iron         |
| 14       | Impeller       | High chrome alloy |
| 16       | Inlet plate    | Ductile iron      |
| 25       | Strainer       | Steel             |

| Item no. | Part name       | Material             |
|----------|-----------------|----------------------|
| 27       | Stator          | -                    |
| 28       | Rotor           | Shaft: AISI 420 SS   |
| 31a      | Bearing         | Ball bearing         |
| 31b      | Bearing         | Ball bearing         |
| 33       | Motor protector |                      |
| 34       | Mechanical seal | SiC-SiC / Carbon-SiC |
| 35       | Oil seal        |                      |
| 47       | Cable           |                      |

► Vista seccionada y lista de partes

**2KTM303**  
**2KTM304**



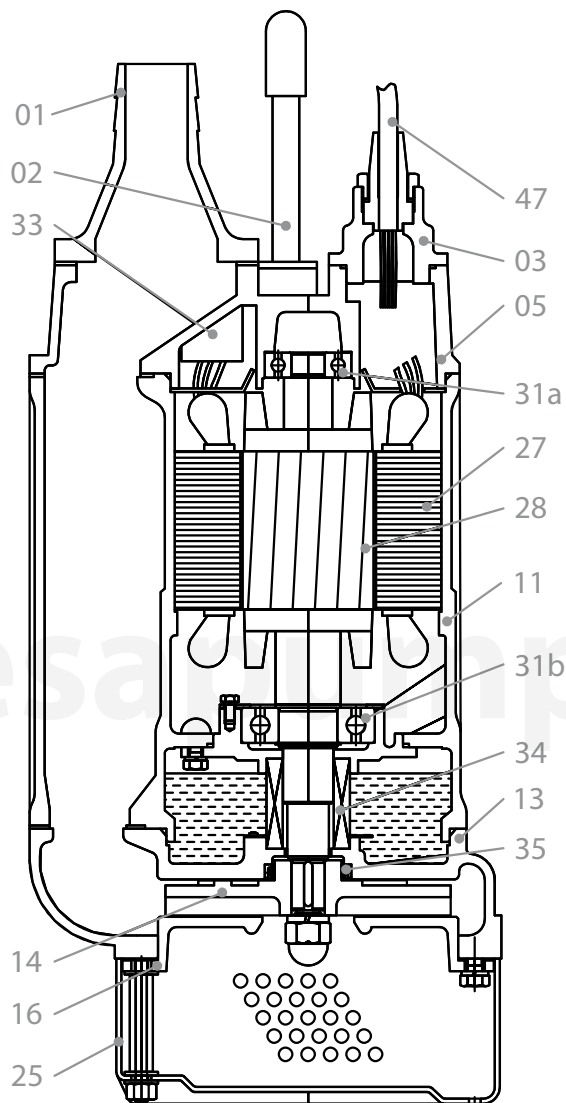
| Item no. | Part name      | Material          |
|----------|----------------|-------------------|
| 01       | House coupling | Cast iron         |
| 02       | Handle         | Rubber & steel    |
| 05       | Upper cover    | Cast iron         |
| 11       | Motor body     | Cast iron         |
| 13       | Pump body      | Cast iron         |
| 14       | Impeller       | High chrome alloy |
| 16       | Inlet plate    | Ductile iron      |
| 25       | Strainer       | Steel             |

| Item no. | Part name       | Material             |
|----------|-----------------|----------------------|
| 27       | Stator          | -                    |
| 28       | Rotor           | Shaft: AISI 420 SS   |
| 31a      | Bearing         | Ball bearing         |
| 31b      | Bearing         | Ball bearing         |
| 33       | Motor protector |                      |
| 34       | Mechanical seal | SiC-SiC / Carbon-SiC |
| 35       | Oil seal        |                      |
| 47       | Cable           |                      |

► Vista seccionada y lista de partes

**3KTM503**

**3KTM504**



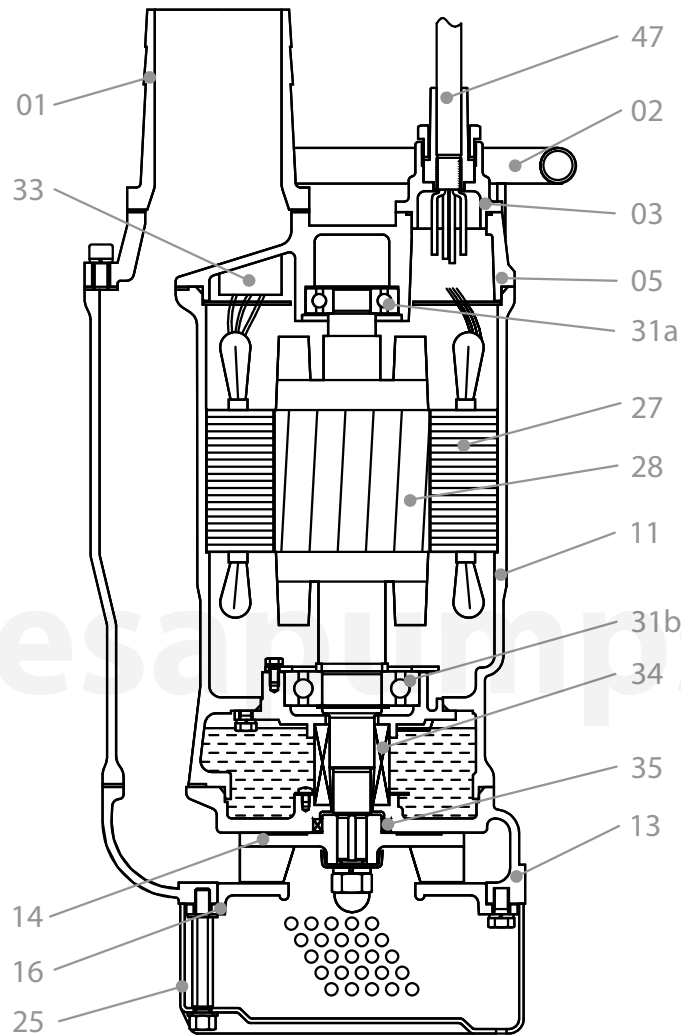
| Item no. | Part name      | Material          |
|----------|----------------|-------------------|
| 01       | House coupling | Cast iron         |
| 02       | Handle         | Rubber & steel    |
| 03       | Terminal box   | Cast iron         |
| 05       | Upper cover    | Cast iron         |
| 11       | Motor body     | Cast iron         |
| 13       | Pump body      | Cast iron         |
| 14       | Impeller       | High chrome alloy |
| 16       | Inlet plate    | Ductile iron      |
| 25       | Strainer       | Steel             |

| Item no. | Part name       | Material           |
|----------|-----------------|--------------------|
| 27       | Stator          | -                  |
| 28       | Rotor           | Shaft: AISI 420 SS |
| 31a      | Bearing         | Ball bearing       |
| 31b      | Bearing         | Ball bearing       |
| 33       | Motor protector |                    |
| 34       | Mechanical seal | SiC-SiC / SiC-SiC  |
| 35       | Oil seal        |                    |
| 47       | Cable           |                    |

► Vista seccionada y lista de partes

**3KTM753**

**3KTM754**



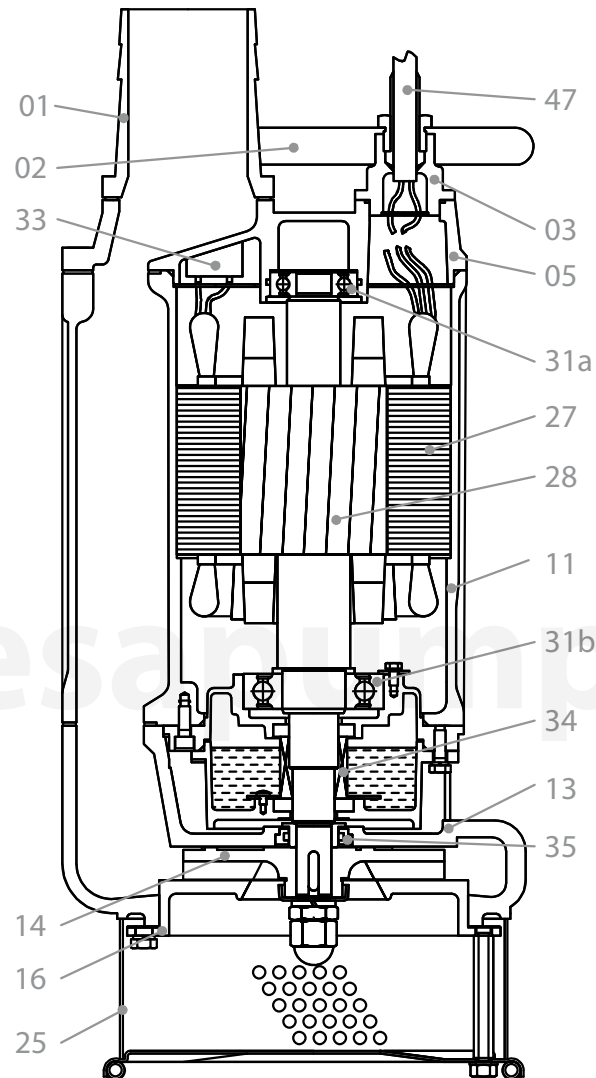
| Item no. | Part name      | Material          |
|----------|----------------|-------------------|
| 01       | House coupling | Cast iron         |
| 02       | Handle         | Rubber & steel    |
| 03       | Terminal box   | Cast iron         |
| 05       | Upper cover    | Cast iron         |
| 11       | Motor body     | Cast iron         |
| 13       | Pump body      | Cast iron         |
| 14       | Impeller       | High chrome alloy |
| 16       | Inlet plate    | Ductile iron      |
| 25       | Strainer       | Steel             |

| Item no. | Part name       | Material           |
|----------|-----------------|--------------------|
| 27       | Stator          | -                  |
| 28       | Rotor           | Shaft: AISI 420 SS |
| 31a      | Bearing         | Ball bearing       |
| 31b      | Bearing         | Ball bearing       |
| 33       | Motor protector |                    |
| 34       | Mechanical seal | SiC-SiC / SiC-SiC  |
| 35       | Oil seal        |                    |
| 47       | Cable           |                    |

► Vista seccionada y lista de partes

4KTM1003

4KTM1004



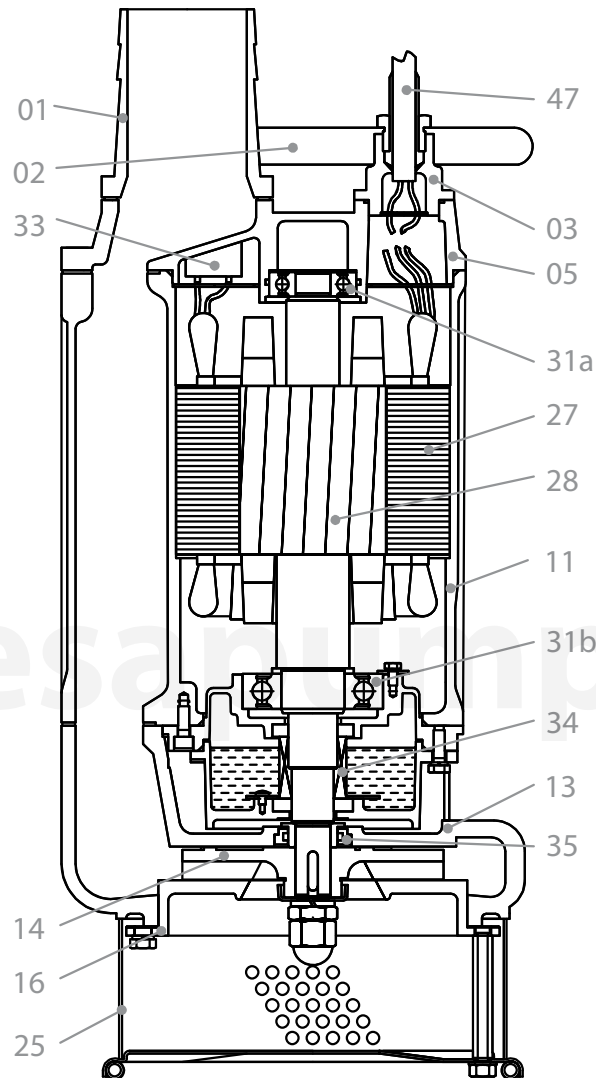
| Item no. | Part name      | Material          |
|----------|----------------|-------------------|
| 01       | House coupling | Cast iron         |
| 02       | Handle         | Rubber & steel    |
| 03       | Terminal box   | Cast iron         |
| 05       | Upper cover    | Cast iron         |
| 11       | Motor body     | Cast iron         |
| 13       | Pump body      | Cast iron         |
| 14       | Impeller       | High chrome alloy |
| 16       | Inlet plate    | Ductile iron      |
| 25       | Strainer       | Steel             |

| Item no. | Part name       | Material           |
|----------|-----------------|--------------------|
| 27       | Stator          | -                  |
| 28       | Rotor           | Shaft: AISI 420 SS |
| 31a      | Bearing         | Ball bearing       |
| 31b      | Bearing         | Ball bearing       |
| 33       | Motor protector |                    |
| 34       | Mechanical seal | SiC-SiC / SiC-SiC  |
| 35       | Oil seal        |                    |
| 47       | Cable           |                    |

► Vista seccionada y lista de partes

4KTM1503

4KTM1504



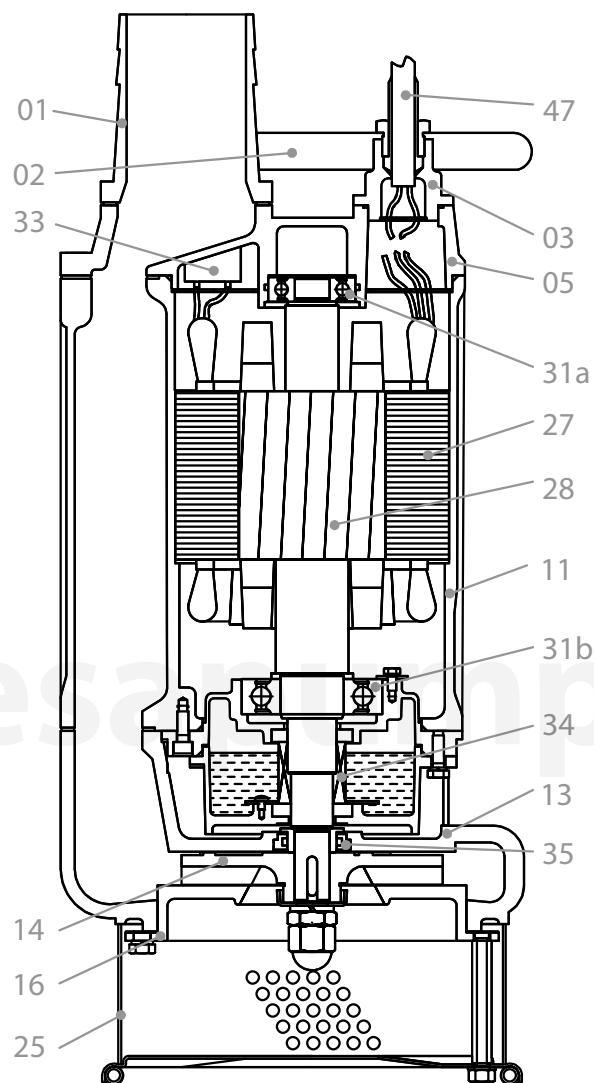
| Item no. | Part name      | Material          |
|----------|----------------|-------------------|
| 01       | House coupling | Cast iron         |
| 02       | Handle         | Rubber & steel    |
| 03       | Terminal box   | Cast iron         |
| 05       | Upper cover    | Cast iron         |
| 11       | Motor body     | Cast iron         |
| 13       | Pump body      | Cast iron         |
| 14       | Impeller       | High chrome alloy |
| 16       | Inlet plate    | Ductile iron      |
| 25       | Strainer       | Steel             |

| Item no. | Part name       | Material           |
|----------|-----------------|--------------------|
| 27       | Stator          | -                  |
| 28       | Rotor           | Shaft: AISI 420 SS |
| 31a      | Bearing         | Ball bearing       |
| 31b      | Bearing         | Ball bearing       |
| 33       | Motor protector |                    |
| 34       | Mechanical seal | SiC-SiC / SiC-SiC  |
| 35       | Oil seal        |                    |
| 47       | Cable           |                    |



► Vista seccionada y lista de partes

4KTM2004



| Item no. | Part name      | Material          |
|----------|----------------|-------------------|
| 01       | House coupling | Cast iron         |
| 02       | Handle         | Rubber & steel    |
| 03       | Terminal box   | Cast iron         |
| 05       | Upper cover    | Cast iron         |
| 11       | Motor body     | Cast iron         |
| 13       | Pump body      | Cast iron         |
| 14       | Impeller       | High chrome alloy |
| 16       | Inlet plate    | Ductile iron      |
| 25       | Strainer       | Steel             |

| Item no. | Part name       | Material           |
|----------|-----------------|--------------------|
| 27       | Stator          | -                  |
| 28       | Rotor           | Shaft: AISI 420 SS |
| 31a      | Bearing         | Ball bearing       |
| 31b      | Bearing         | Ball bearing       |
| 33       | Motor protector |                    |
| 34       | Mechanical seal | SiC-SiC / SiC-SiC  |
| 35       | Oil seal        |                    |
| 47       | Cable           |                    |

# BARMESA PUMPS FACTORY WARRANTY

Barmesa Pumps warrants that products of our manufacture will be free of defects in material and workmanship under normal use and service for 18 months from date of manufacture or 12 months from installation date whichever occurs first. This warranty gives you specific legal rights, which vary from state to state.

This warranty is a limited warranty, and no warranty related claims of any nature whatsoever shall be made against Barmesa Pumps, until the ultimate consumer or his/her successor notifies us in writing of the defect and delivers the product and/or defective part(s) freight prepaid to our factory or nearest authorized service station as instructed by Barmesa Pumps. THERE SHALL BE NO FURTHER LIABILITY, WHETHER BASED ON WARRANTY, NEGLIGENCE OR OTHERWISE. PRODUCT SHALL BE EITHER REPLACED OR REPAIRED AT THE ELECTION OF BARMESA PUMPS. Guarantees relating to performance specifications provided in addition to the foregoing material and workmanship warranties on a product manufactured by Barmesa Pumps, if any, are subject to possible factory testing. Any additional guarantees, in the nature of certified performance specifications or time frame must be in writing and such writing must be signed by our authorized factory manager at time of order placement and/or at time of quotation. Due to inaccuracies in field testing and should a conflict arises between the results of field testing conducted by or for the user, Barmesa Pumps reserves the right to have the product returned to our factory for additional testing.

This warranty shall not apply when damage is caused by (1) improper installation, (2) improper voltage, (3) lightning, (4) excessive sand or other abrasive material, (5) corrosion build-up due to excessive chemical content or (6) uncontrollable acts of god. Any modification of the original equipment will also void the warranty. We will not be responsible for loss, damage or labor cost due to interruption of service caused by defective pumps, parts or systems. Barmesa Pumps will not accept charges incurred by others without our prior written approval.

This warranty is void if our inspection reveals the product was used in a manner inconsistent with normal industry practice and/or our specific recommendations. The purchaser is responsible for communication of all necessary information regarding the application and use of the product. UNDER NO CIRCUMSTANCES WILL WE BE RESPONSIBLE FOR ANY OTHER DIRECT OR CONSEQUENTIAL DAMAGES, INCLUDING BUT NOT LIMITED TO TRAVEL EXPENSES, CONTRACTOR FEES, UNAUTHORIZED REPAIR SHOP EXPENSES, LOST PROFITS, LOST INCOME, LABOR CHARGES, DELAYS IN PRODUCTION, IDLE PRODUCTION, WHICH DAMAGES ARE CAUSED BY ANY DEFECTS IN MATERIAL AND/OR WORKMANSHIP AND/OR DAMAGE OR DELAYS IN SHIPMENT. THIS WARRANTY IS EXPRESSLY IN LIEU OF ANY OTHER EXPRESS OR IMPLIED WARRANTY. No rights extended under this warranty shall be assigned to any other person, whether by operation of law or otherwise, without our prior written approval.

## IMPORTANT!

If you have a claim under the provision of the warranty, contact Barmesa Pumps or your authorized Barmesa Pumps Distributor:  
[warranty@barmesapumps.com](mailto:warranty@barmesapumps.com)  
[www.barmesapumps.com](http://www.barmesapumps.com)



**Barmesa®**  
**Pumps**