

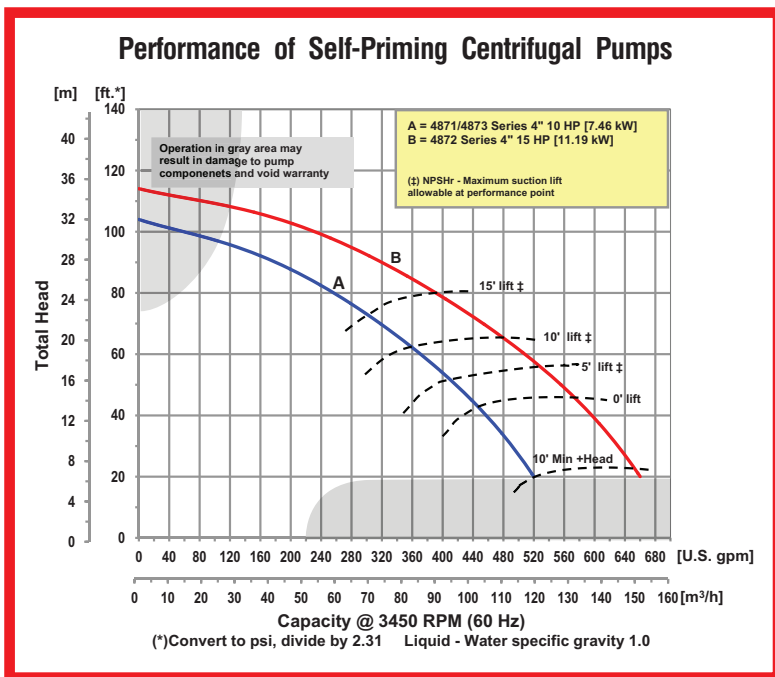
# 4" Self-Priming Centrifugal Pumps

4" Self-Priming Pump w/ Optional Base



- **Cast Iron Construction with Stainless Steel Impeller**
- **Buna-N Mechanical Seal, Check Valve and O-Ring**
- **Optional Silicon Carbide Seal Available**
- **4" NPT Suction and Discharge Ports**
- **Maximum Solids Handling 1/2"**
- **Maximum Temperature 180° F**
- **Maximum Flow 660 GPM**
- **Maximum Head 114 Ft.**
- **Self-Priming to 20 Ft.**
- **Self-Cleaning, Semi-Open Impeller**
- **Solids Handling and Dirty Water Design**
- **10 to 15 HP TEFC, Single and Three Phase Motors**
- **Optional Mounting Base Available**

AMT Self-Priming Cast Iron Centrifugal pumps are designed for a broad range of high capacity applications, including dewatering, liquid transfer, circulation, drainage and irrigation. Dual volute design reduces radial load on motor. The centerline discharge feature is specifically designed to prevent vapor binding and makes for convenient piping connections. Pumps are designed to handle liquids with solids content or dissolved solids and debris. All models are fitted with self-cleaning, semi-open stainless steel impeller, which can handle 1/2" diameter semi-solids. Built-in check valves for fast priming are standard on all units. Fill and drain plugs for easy installation and servicing.



400 Spring Street • Royersford, PA 19468 USA

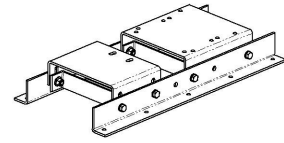
**www.amtpump.com • 888-amt-pump (268-7867)**

For use with nonflammable liquids compatible with pump component materials. Viton® and Teflon® are registered trademarks of E. I. DuPont.

## Pump Dimensional & Specification Data

Model	Curve	HP	PH	Voltage @ 60 Hz +	Full Load Amps	Frame	SUC*	DIS*	L**	W**	H	Ship Wt. (Lbs.)
4873-95	A	10	1	230	40	215JM	4	4	33.5 [85.1]	15 [38.1]	16 [40.6]	320
4871-95	A	10	3	208-230/460	26/13	215JM	4	4	32 [85.1]	15 [38.1]	16 [40.6]	290
4872-95	B	15	3	208-230/460	36/18	215JM	4	4	32 [85.1]	15 [38.1]	16 [40.6]	310

### Optional Mounting Base Model A200-90



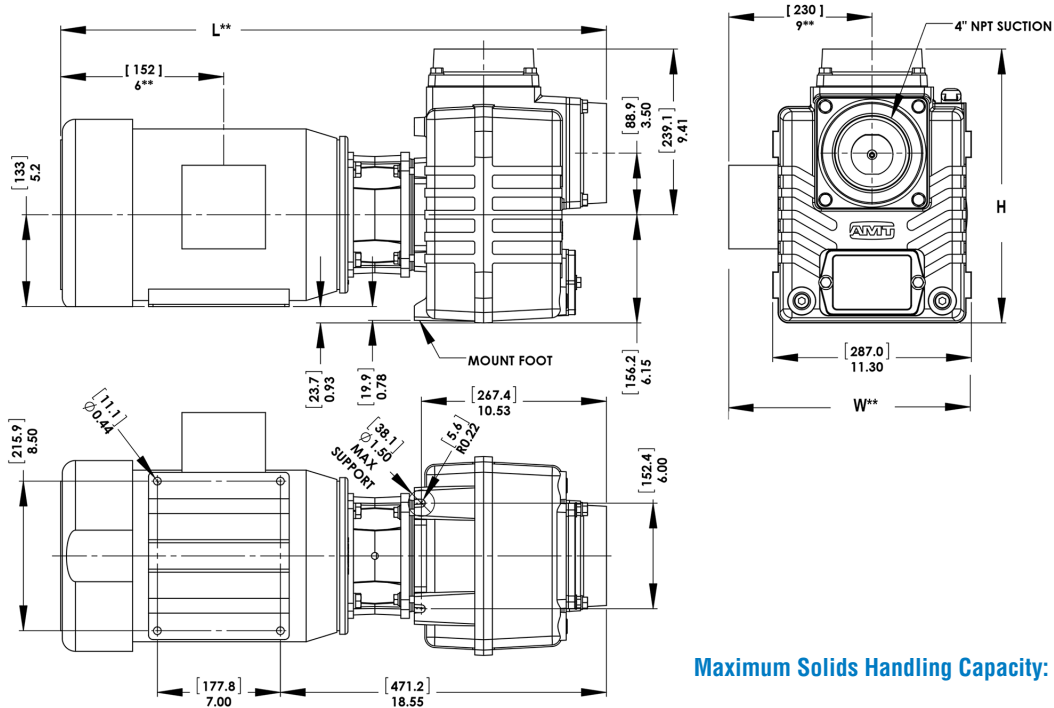
(\*) Standard NPT (Female) pipe thread.

(\*\*) This dimension may vary due to motor manufacturer's specifications.

(+) 3-Phase models can also operate on 50 Hz (This will change full load amps and service factor, RPM and priming capabilities).

NOTE: Dimensions are in inches (centimeters) and have a tolerance of  $\pm 1/4"$ .

NOTE: Electric supply for **ALL** motors must be within  $\pm 10\%$  of nameplate voltage rating (e.g. 230V  $\pm 10\%$  = 207 to 253).



Maximum Solids Handling Capacity: 1/2" Diameter

## Standard Features

- Cast Iron Construction with Stainless Steel Impeller
- Buna-N Mechanical Seal and O-ring
- Optional Viton® Mechanical Seal and Flapper Valve Available
- Optional Silicon Carbide Seal Available
- 4" NPT Suction and Discharge Ports
- Stainless Steel Sleeve
- Dual Volute Design Reduces Radial Load on Motor
- Fill and Drain Plug for Easy Servicing
- Maximum Working Pressure 125 PSI
- Maximum Temperature 180° F
- Maximum Flow 660 GPM
- Maximum Head 114 Ft.
- Self-cleaning, Semi-open Impeller
- 10 to 15 HP Totally Enclosed Fan Cooled (TEFC) Single or Three Phase Motors
- Optional Mounting Base Available on All Above Models (A200-90)
- QSP - Quick Ship Pump for Many Models

**Hazardous Duty/Explosion Proof 10HP Motors Available;  
CALL FOR QUOTATION & LEAD TIME!**