

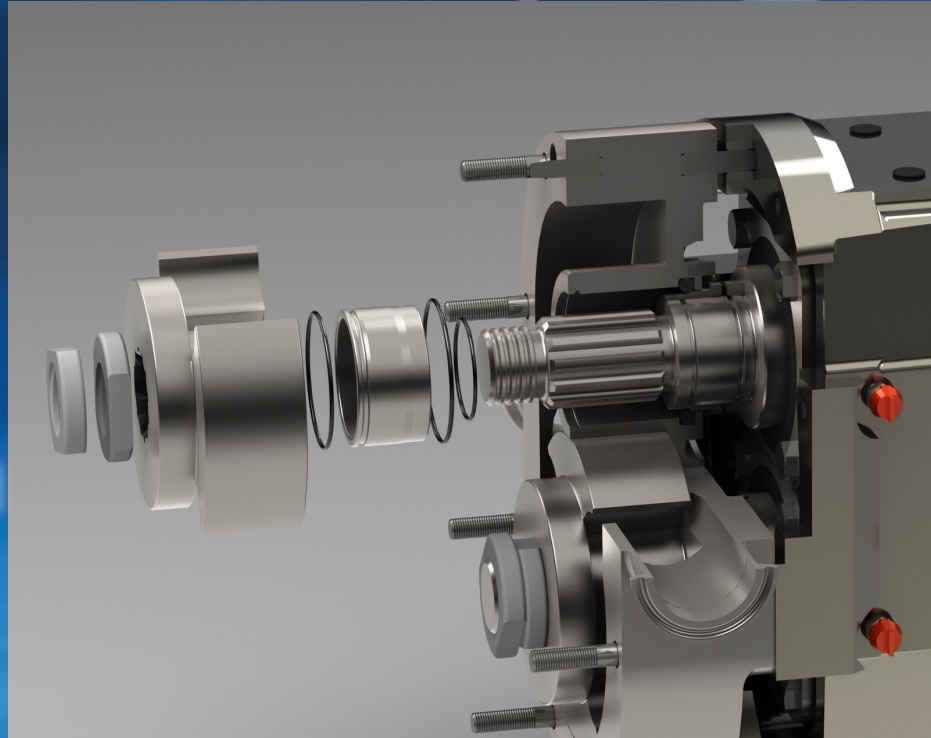


Ampco Pumps continues to bring innovation to the sanitary pump market. We have enhanced the traditional design of the popular ZP1 pump and are pleased to introduce the ZP1+ (available in models 30 and larger). The patent pending design changes the position of the static and dynamic O-rings. ZP1+ O-rings can be changed without having to disconnect the pump from the piping system, providing easy maintenance and reduced downtime.

## Patent Pending

# ZP1+

## Easy Maintenance and Reduced Downtime



### AMPCO ZP1+ DESIGN

The ZP1+ design changes the position of the static and dynamic O-ring. The O-rings now sit in the front of the body and the sleeve is now a mating part of the rotor. The O-rings can be changed without having to disconnect the pump from the piping system. The secondary sleeve/spring assembly will seal the pump if the rotors are removed for CIP processing.

### REMANUFACTURING OPTION

Existing ZP1 pumps (and competing models) can be converted to a ZP1+ pump during the remanufacturing process at no extra charge.

