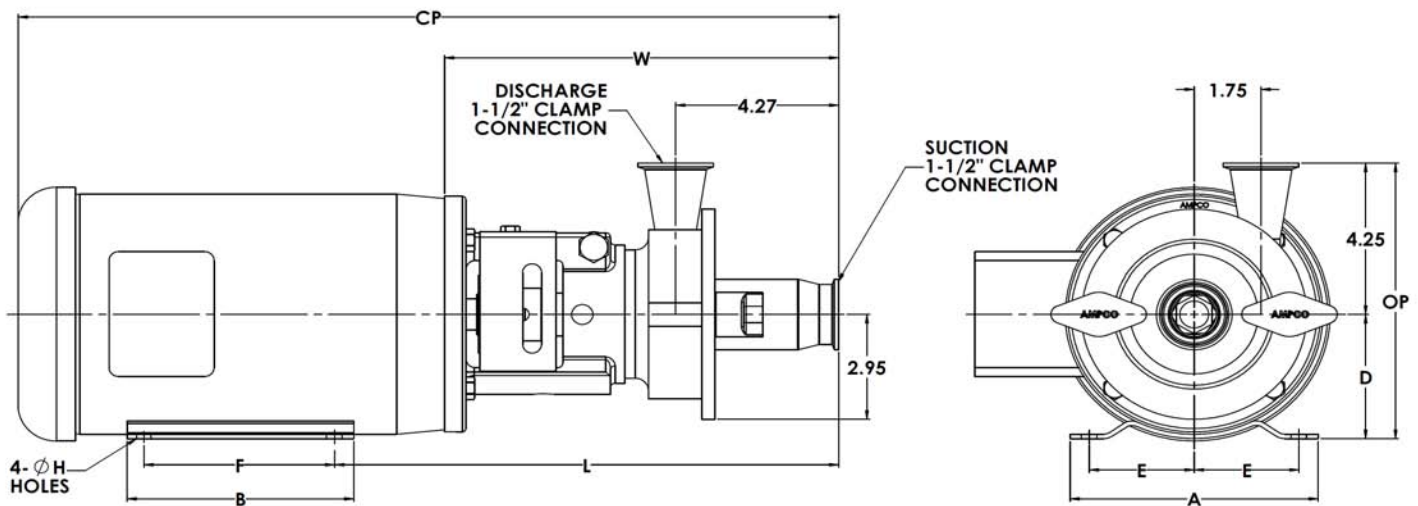
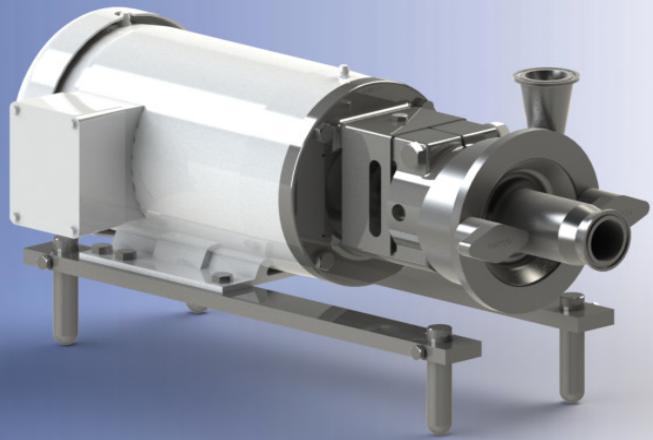


Ampco Centrifugal Pumps

DATA SHEET

MODEL LF-R01 1½ x 1½

MODEL LF-R02 1½ x 1½



TEFC MOTOR			DIMENSIONS IN INCHES MILLIMETERS (For Reference Only)										APPROX WEIGHT
HP	RPM	FRAME	A (typ)	B (typ)	D	E	F	ØH	L	W	CP	OP	LBS Kg
1 HP	1750	143TC	6 1/2	6	3 1/2	2 3/4	4	11/32	13.21	10.33	21.50	7.75	65
			165	152	89	70	102	9	335	262	546	197	30
1½ HP	3500	143TC	6 1/2	6	3 1/2	2 3/4	4	11/32	13.21	10.33	21.50	7.75	66
			165	152	89	70	102	9	335	262	546	197	30
2 HP	3500	145TC	6 1/2	6	3 1/2	2 3/4	5	11/32	13.21	10.33	21.50	7.75	73
			165	152	89	70	127	9	335	262	546	197	33

MATERIAL SPECIFICATIONS

PART NAME	STAINLESS STEEL
Casing, Cover & Impeller	316L Stainless
Stub Shaft	316L Stainless
Adapter	304 Stainless

PUMP CURVES

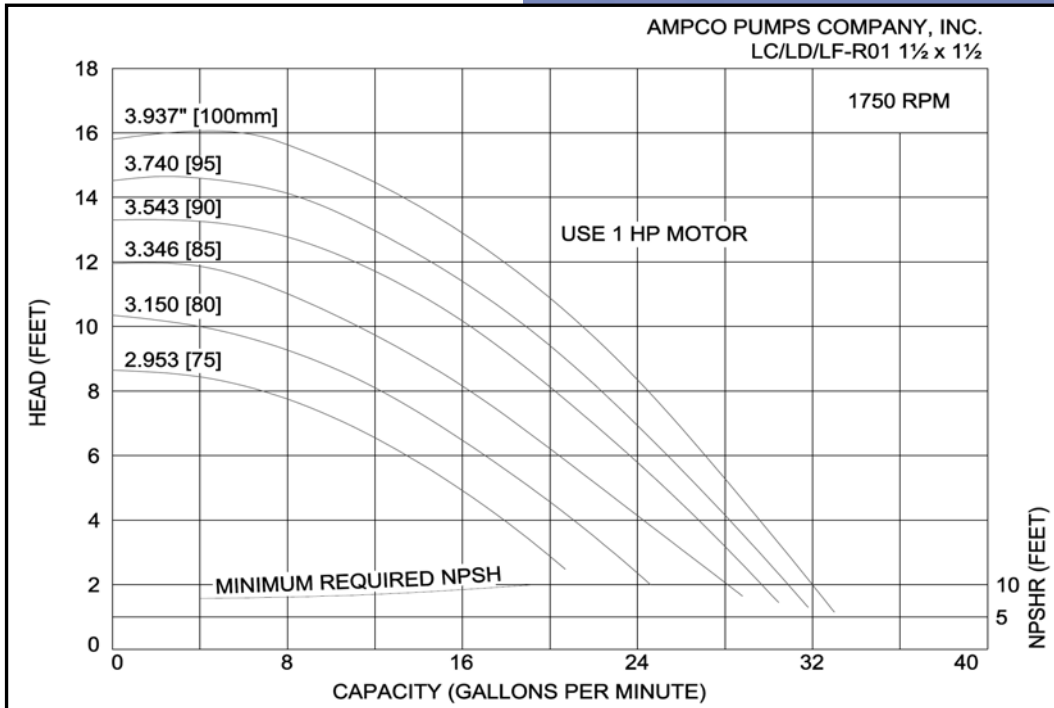
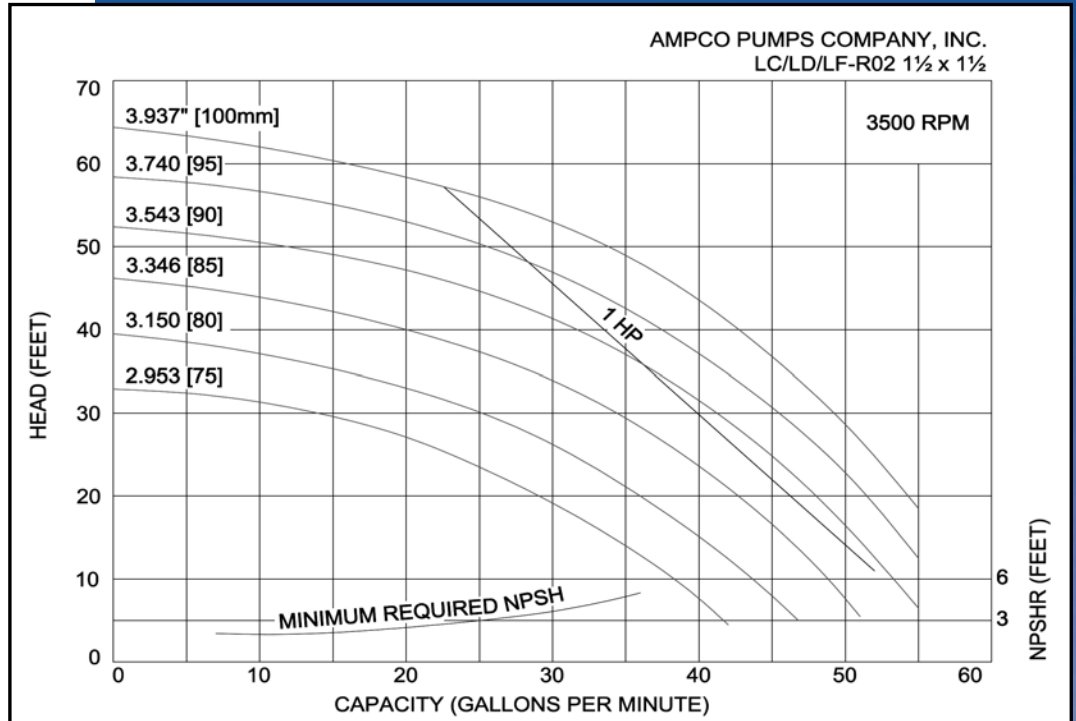
MODEL LF-R01 1½ x 1½

MODEL LF-R02 1½ x 1½

Curves show approximate characteristics based on clear 68° F water.
Rated point is guaranteed

LF-Series pumps have standard stainless steel adapters and silicon carbide vs. carbon seals.

Ampco Centrifugal Pumps



LF pumps are in conformance with 3A sanitary standards for centrifugal and positive rotary pumps for milk and milk products, Number 02-10.

LF-Series pumps have a standard 32RA (150 grit) finish, on all product contact surfaces.

Ampco Pumps Company

2045 West Mill Road
Glendale, Wisconsin 53209
PHONE (414) 643-1852
FAX (414) 643-4452

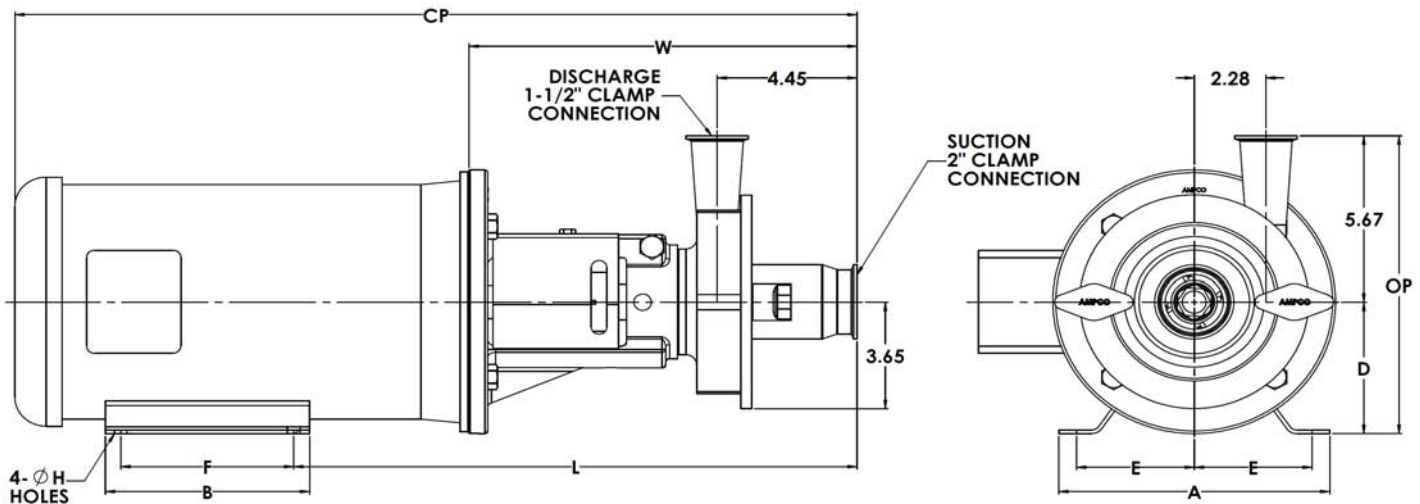
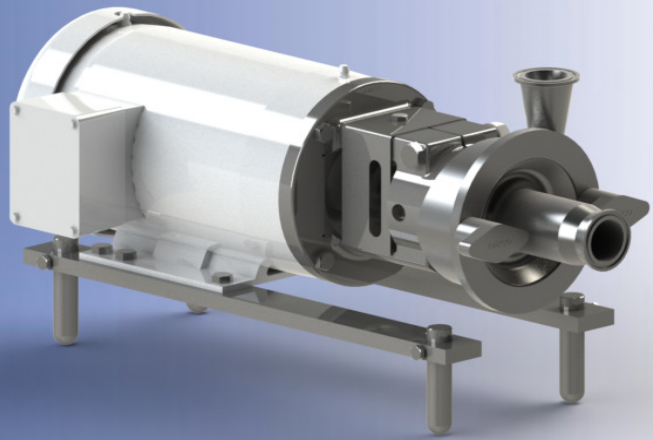
LF-R01/R02 1.5X1.5 01/11

Ampco Centrifugal Pumps

DATA SHEET

MODEL LF-R11 2 x 1½

MODEL LF-R12 2 x 1½



TEFC MOTOR			DIMENSIONS IN INCHES MILLIMETERS (For Reference Only)										APPROX WEIGHT
HP	RPM	FRAME	A (typ)	B (typ)	D	E	F	ØH	L	W	CP	OP	LBS Kg
1 HP	1750	143TC	6 1/2	6	3 1/2	2 3/4	4	11/32	13.32	10.44	21.61	9.17	70
			165	152	89	70	102	9	338	265	549	233	32
2 HP	3500	145TC	6 1/2	6	3 1/2	2 3/4	5	11/32	13.32	10.44	21.61	9.17	78
			165	152	89	70	127	9	338	265	549	233	35
3 HP	3500	182TC	8 5/8	6 1/2	4 1/2	3 3/4	4 1/2	13/32	15.76	12.35	26.10	10.17	97
			219	165	114	95	114	10	400	314	663	258	44
5 HP	3500	184TC	8 5/8	6 1/2	4 1/2	3 3/4	5 1/2	13/32	15.76	12.35	26.10	10.17	111
			219	165	114	95	140	10	400	314	663	258	50

MATERIAL SPECIFICATIONS

PART NAME	STAINLESS STEEL
Casing, Cover & Impeller	316L Stainless
Stub Shaft	316L Stainless
Adapter	304 Stainless

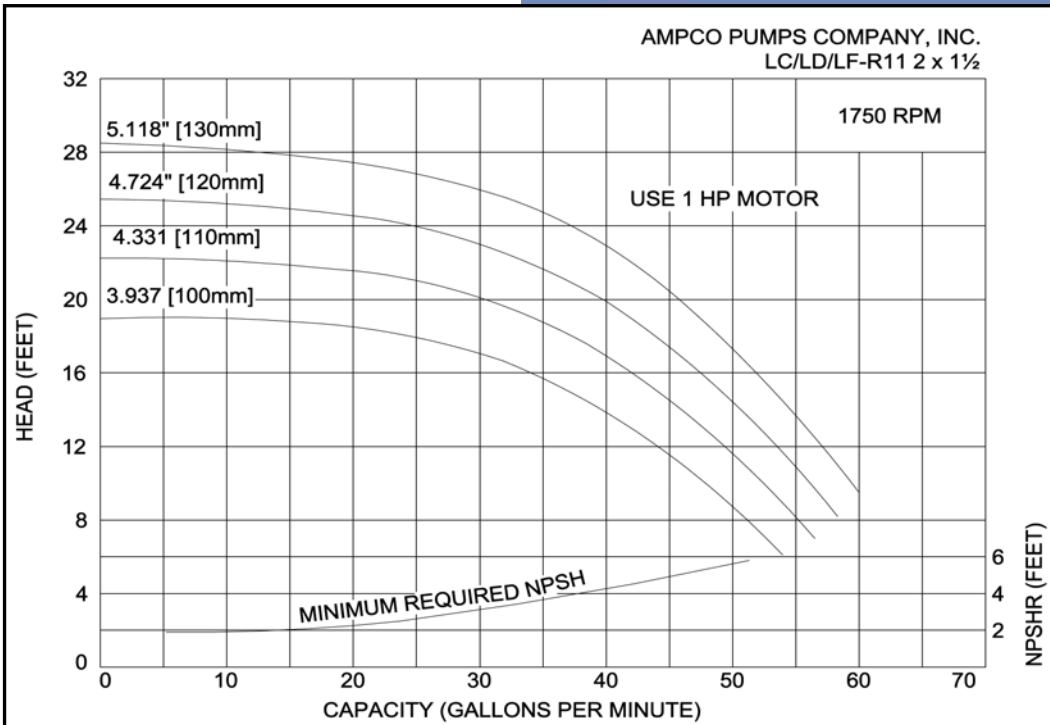
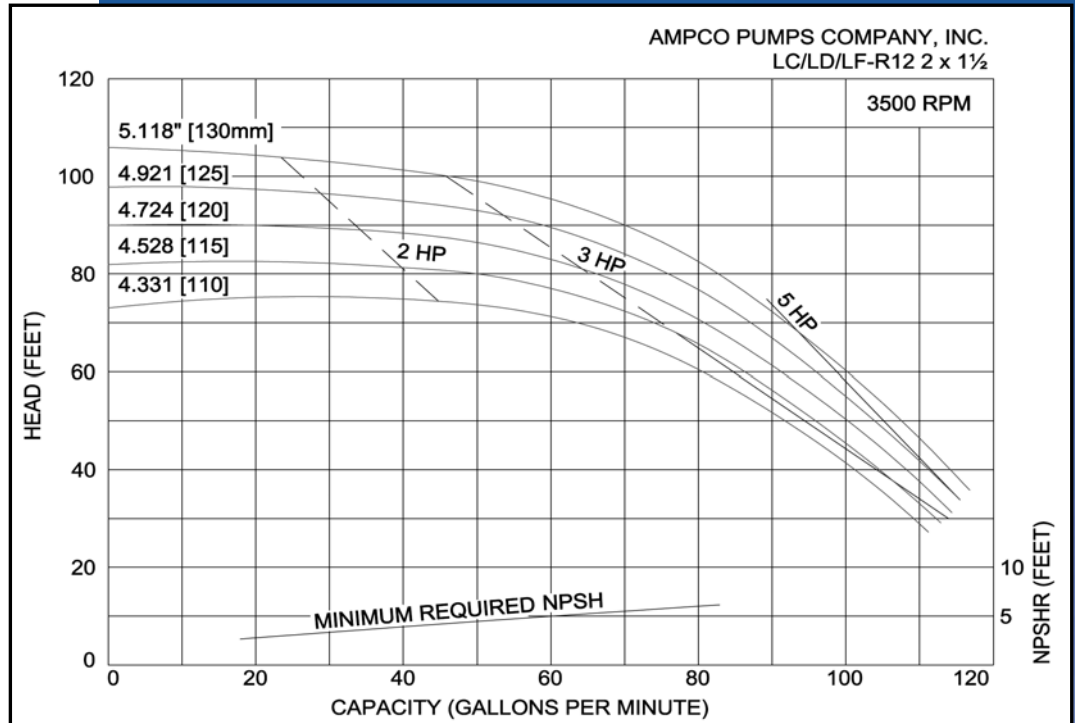
PUMP CURVES

MODEL LF-R11 2 x 1½
MODEL LF-R12 2 x 1½

Curves show approximate characteristics based on clear 68° F water.
Rated point is guaranteed

LF-Series pumps have standard stainless steel adapters and silicon carbide vs. carbon seals.

Ampco Centrifugal Pumps



LF pumps are in conformance with 3A sanitary standards for centrifugal and positive rotary pumps for milk and milk products, Number 02-10.

LF-Series pumps have a standard 32RA (150 grit) finish, on all product contact surfaces.

Ampco Pumps Company

2045 West Mill Road
Glendale, Wisconsin 53209
PHONE (414) 643-1852
FAX (414) 643-4452

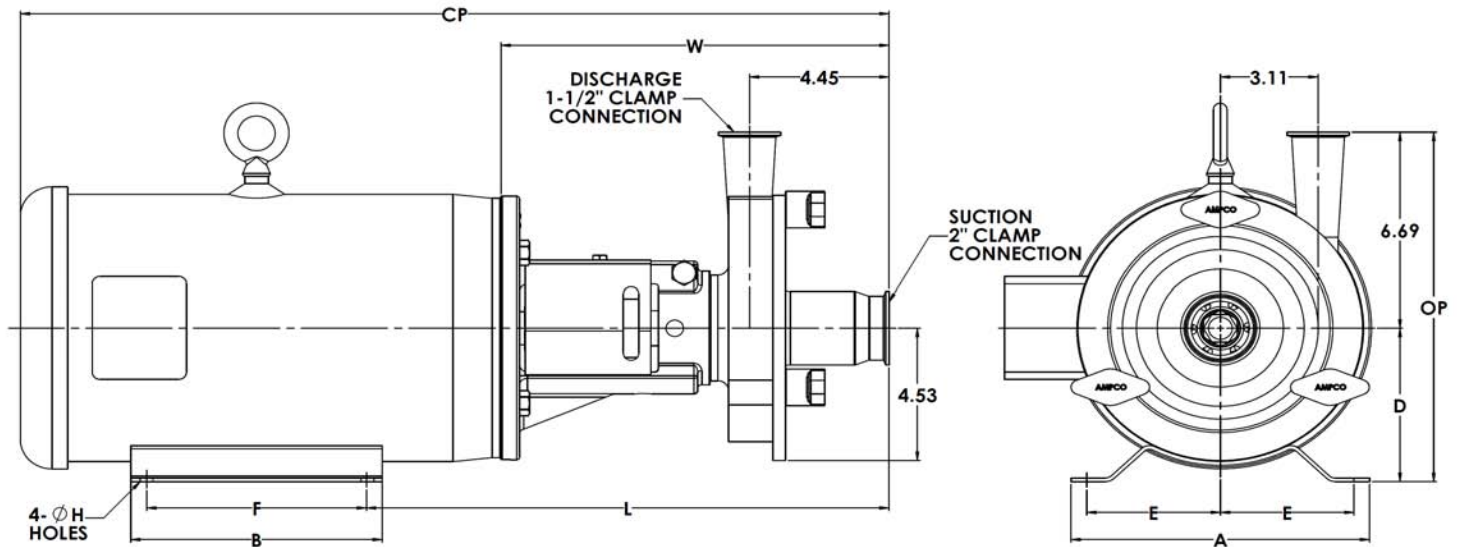
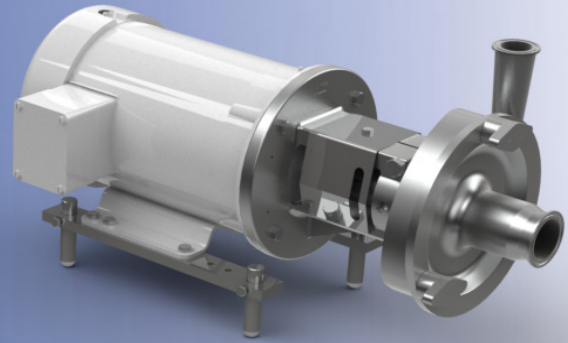
LF-R11/R12 2X1.5 01/11

Ampco Centrifugal Pumps

DATA SHEET

MODEL LF-R21 2 x 1½

MODEL LF-R22 2 x 1½



TEFC MOTOR			DIMENSIONS IN INCHES MILLIMETERS (For Reference Only)										APPROX WEIGHT
HP	RPM	FRAME	A (typ)	B (typ)	D	E	F	ØH	L	W	CP	OP	LBS Kg
1 HP	1750	143TC	6 1/2	6	3 1/2	2 3/4	4	11/32	13.31	10.44	21.60	10.19	77
			165	152	89	70	102	9	338	265	549	259	35
1½ HP	1750	145TC	6 1/2	6	3 1/2	2 3/4	5	11/32	13.31	10.44	21.60	10.19	83
			165	152	89	70	127	9	338	265	549	259	38
3 HP	3500	182TC	8 5/8	6 1/2	4 1/2	3 3/4	4 1/2	13/32	15.75	12.35	26.06	11.19	104
			219	165	114	95	114	10	400	314	662	284	47
5 HP	3500	184TC	8 5/8	6 1/2	4 1/2	3 3/4	5 1/2	13/32	15.75	12.35	26.06	11.19	118
			219	165	114	95	140	10	400	314	662	284	54
7½ HP	3500	184TC	8 5/8	6 1/2	4 1/2	3 3/4	5 1/2	13/32	15.75	12.35	26.06	11.19	136
			219	165	114	95	140	10	400	314	662	284	62
10 HP	3500	215TC	9 1/2	8	5 1/4	4 1/4	7	13/32	16.63	12.35	28.76	11.94	170
			241	203	133	108	178	10	422	314	731	303	77

MATERIAL SPECIFICATIONS

PART NAME	STAINLESS STEEL
Casing, Cover & Impeller	316L Stainless
Stub Shaft	316L Stainless
Adapter	304 Stainless

PUMP CURVES

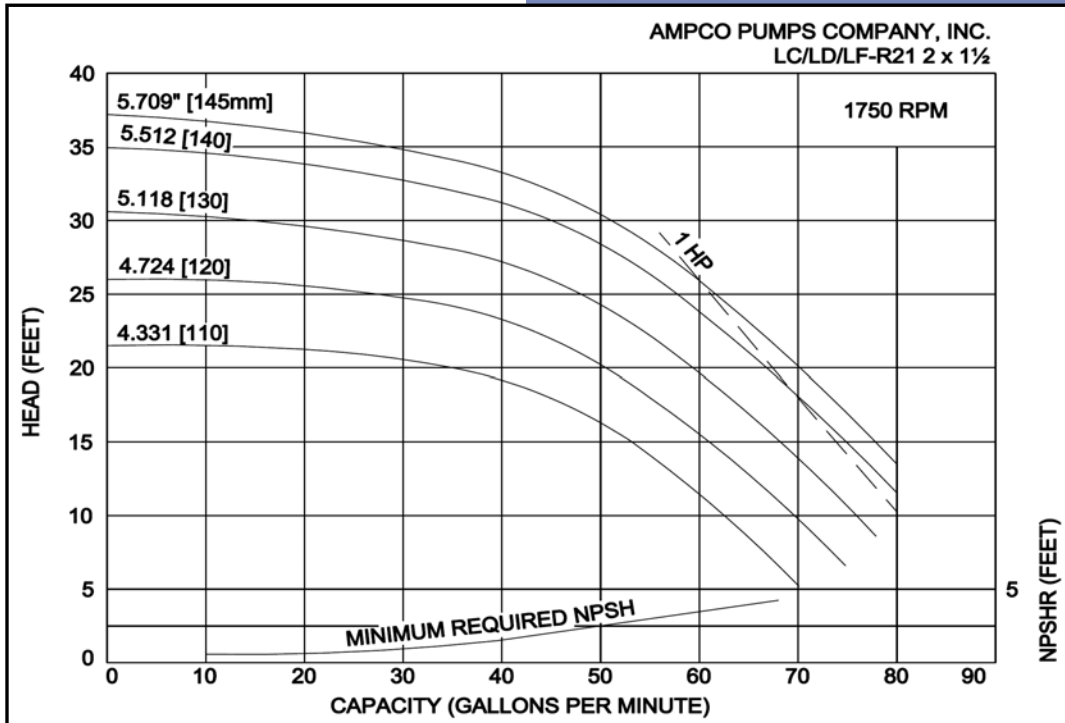
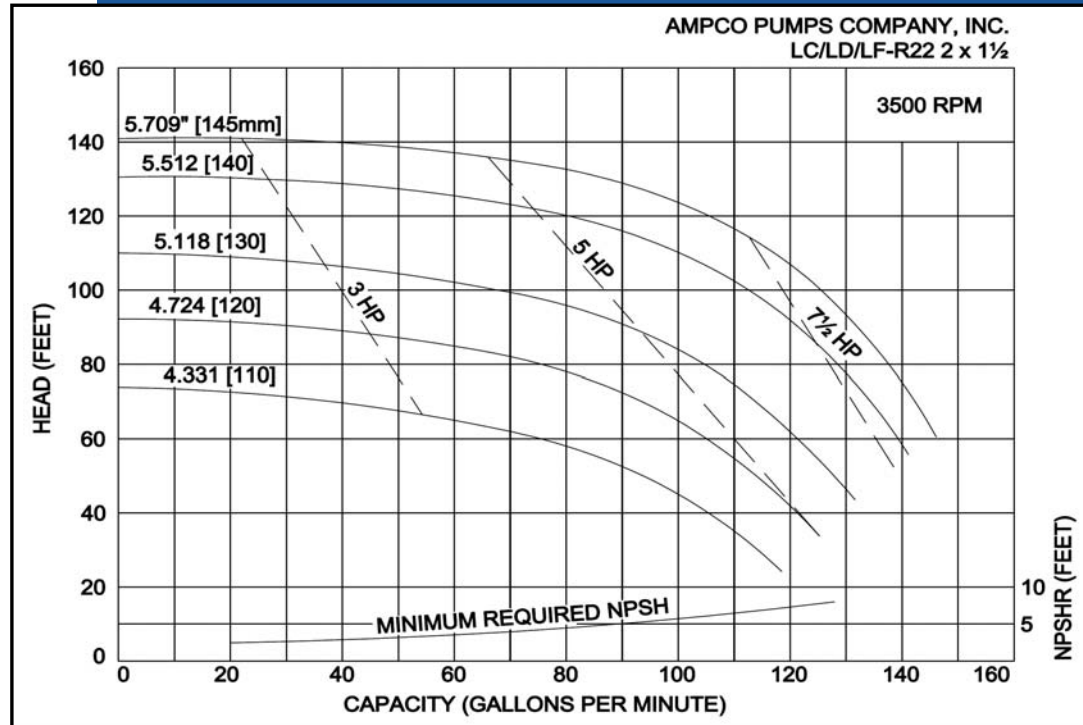
MODEL LF-R21 2 x 1½

MODEL LF-R22 2 x 1½

Curves show approximate characteristics based on clear 68° F water.
Rated point is guaranteed

LF-Series pumps have standard stainless steel adapters and silicon carbide vs. carbon seals.

Ampco Centrifugal Pumps



LF pumps are in conformance with 3A sanitary standards for centrifugal and positive rotary pumps for milk and milk products, Number 02-10.

LF-Series pumps have a standard 32RA (150 grit) finish, on all product contact surfaces.

Ampco Pumps Company

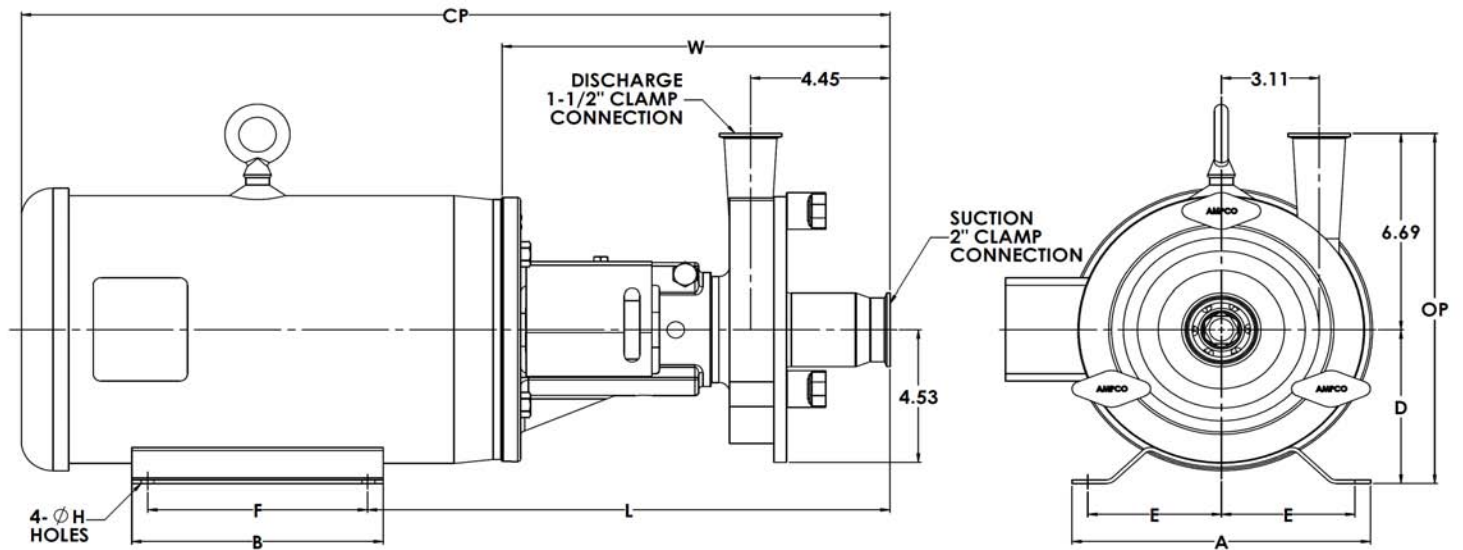
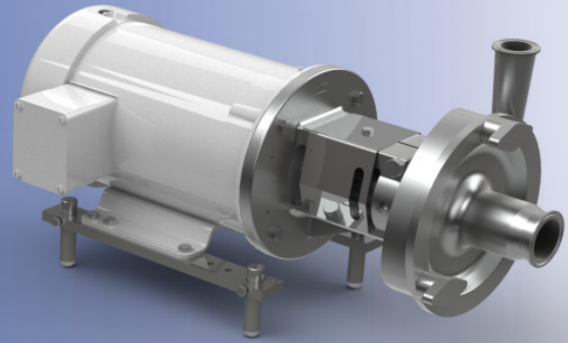
2045 West Mill Road
Glendale, Wisconsin 53209
PHONE (414) 643-1852
FAX (414) 643-4452

LF-R21/R22 2X1.5 01/11

Ampco Centrifugal Pumps

DATA SHEET

MODEL LF-R31 2 x 1½



TEFC MOTOR			DIMENSIONS IN INCHES MILLIMETERS (For Reference Only)										APPROX WEIGHT
HP	RPM	FRAME	A (typ)	B (typ)	D	E	F	ØH	L	W	CP	OP	LBS Kg
1 HP	1750	143TC	6 1/2	6	3 1/2	2 3/4	4	11/32	13.84	10.44	21.60	10.19	77
			165	152	89	70	102	9	352	265	549	259	35
1½ HP	1750	145TC	6 1/2	6	3 1/2	2 3/4	5	11/32	13.84	10.44	21.60	10.19	83
			165	152	89	70	127	9	352	265	549	259	38
2 HP	1750	145TC	6 1/2	6	3 1/2	2 3/4	5	11/32	13.84	10.44	21.60	10.19	86
			165	152	89	70	127	9	352	265	549	259	39
3 HP	1750	182TC	8 5/8	6 1/2	4 1/2	3 3/4	4 1/2	13/32	15.75	12.35	26.06	11.19	116
			219	165	114	95	114	10	400	314	662	284	53

MATERIAL SPECIFICATIONS

PART NAME	STAINLESS STEEL
Casing, Cover & Impeller	316L Stainless
Stub Shaft	316L Stainless
Adapter	304 Stainless

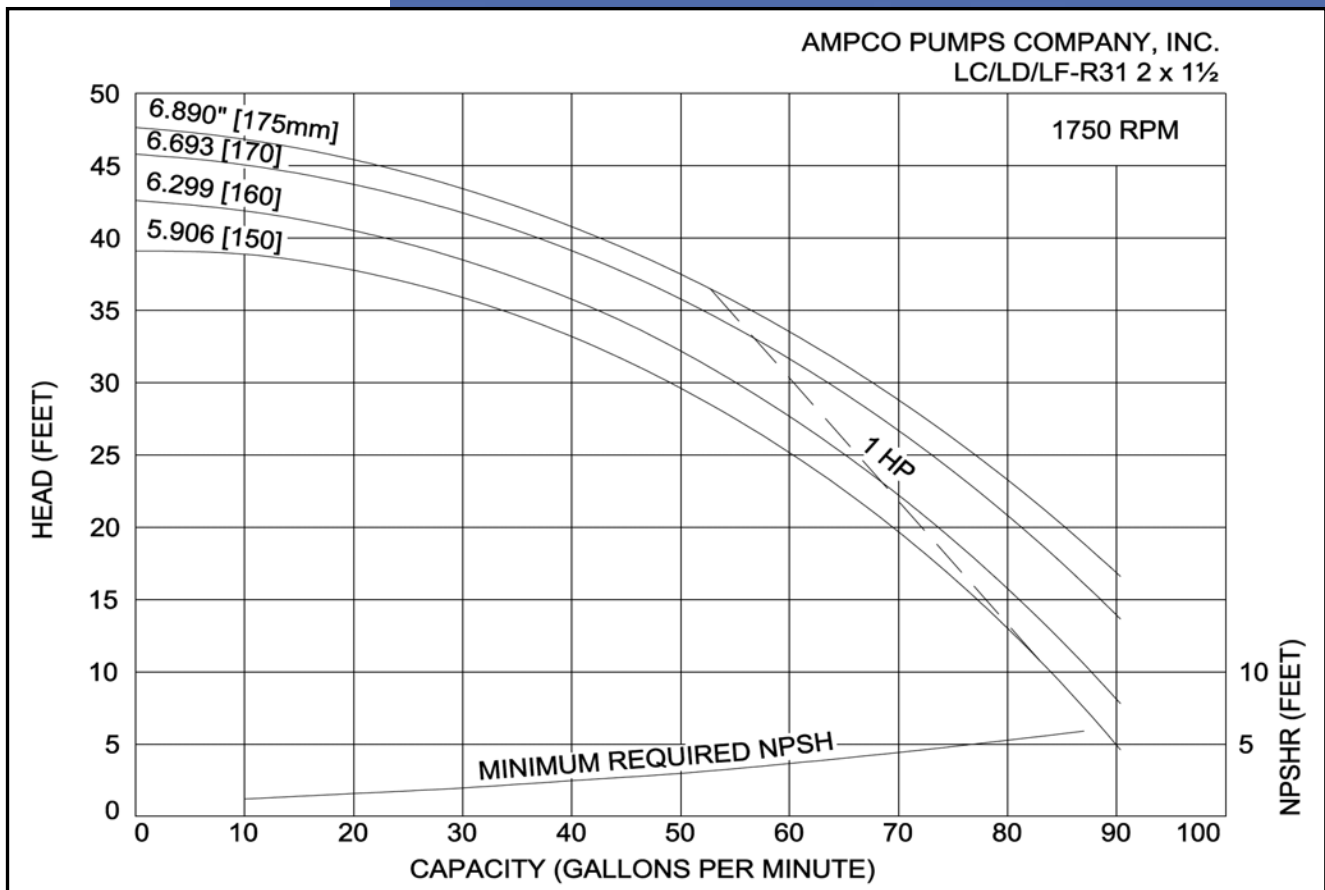
Ampco Centrifugal Pumps

PUMP CURVE

MODEL LF-R31 2 x 1½

Curves show approximate characteristics based on clear 68° F water.
Rated point is guaranteed

LF-Series pumps have standard stainless steel adapters and silicon carbide vs. carbon seals.



LF pumps are in conformance with 3A sanitary standards for centrifugal and positive rotary pumps for milk and milk products, Number 02-10.

LF-Series pumps have a standard 32RA (150 grit) finish, on all product contact surfaces.

AmpcoPumps Company

2045 West Mill Road-Glendale, Wisconsin 53209-PHONE (414) 643-1852-FAX (414) 643-4452

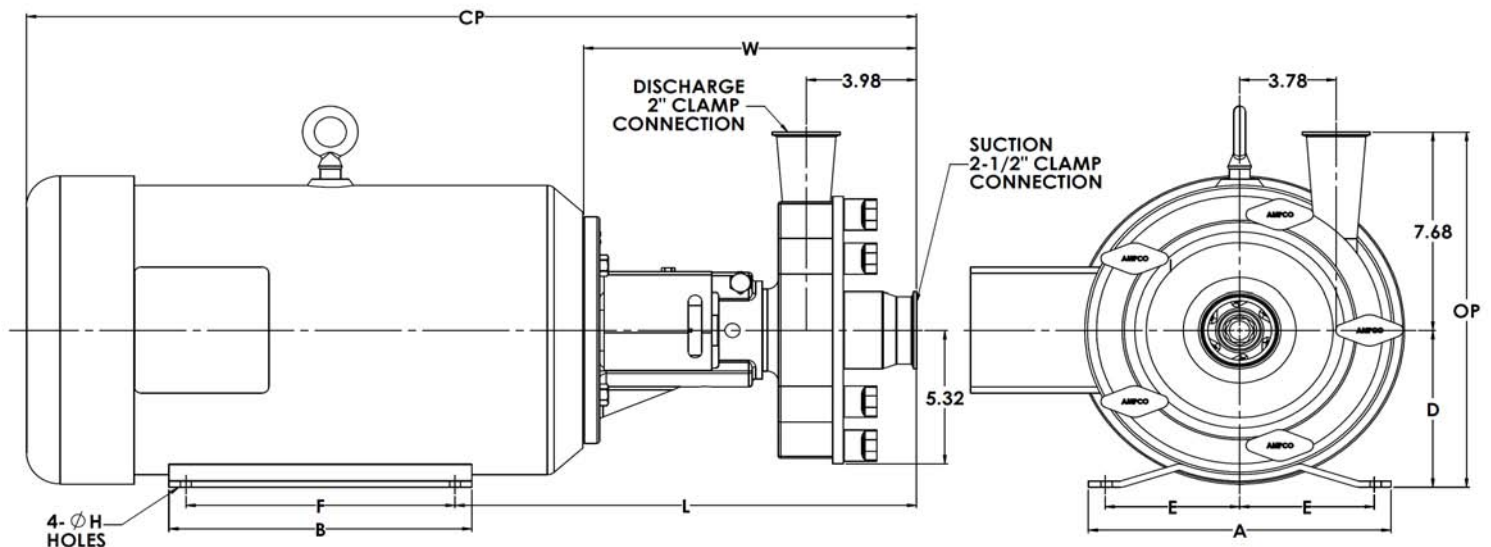
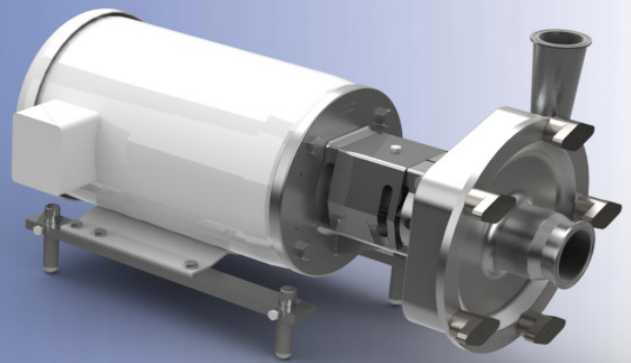
LF-R31 2X1.5 01/11

Ampco Centrifugal Pumps

DATA SHEET

MODEL LF-R41 2½ x 2

MODEL LF-R42 2½ x 2



TEFC MOTOR			DIMENSIONS IN INCHES MILLIMETERS (For Reference Only)										APPROX WEIGHT
HP	RPM	FRAME	A (typ)	B (typ)	D	E	F	ØH	L	W	CP	OP	LBS Kg
1 HP	1750	143TC	6 1/2	6	3 1/2	2 3/4	4	11/32	12.96	10.09	21.25	11.18	91
			165	152	89	70	102	9	329	256	540	284	41
1½ HP	1750	145TC	6 1/2	6	3 1/2	2 3/4	5	11/32	12.96	10.09	21.25	11.18	97
			165	152	89	70	127	9	329	256	540	284	44
2 HP	1750	145TC	6 1/2	6	3 1/2	2 3/4	5	11/32	12.96	10.09	21.25	11.18	100
			165	152	89	70	127	9	329	256	540	284	45
3 HP	1750	182TC	8 5/8	6 1/2	4 1/2	3 3/4	4 1/2	13/32	15.41	12.00	25.72	12.18	130
			219	165	114	95	114	10	391	305	653	309	59
7½ HP	3500	184TC	8 5/8	6 1/2	4 1/2	3 3/4	5 1/2	13/32	15.41	12.00	25.72	12.18	150
			219	165	114	95	140	10	391	305	653	309	68
10 HP	3500	215TC	9 1/2	8	5 1/4	4 1/4	7	13/32	16.28	12.00	28.42	12.93	184
			241	203	133	108	178	10	414	305	722	328	84
15 HP	3500	215TC	9 1/2	8	5 1/4	4 1/4	7	13/32	16.28	12.00	28.42	12.93	224
			241	203	133	108	178	10	414	305	722	328	102
20 HP	3500	256TC	11 1/2	11 1/2	6 1/4	5	10	17/32	16.78	12.00	31.35	13.93	329
			292	292	159	127	254	13	426	305	796	354	150
25 HP	3500	284TSC	12 3/4	12 3/4	7	5 1/2	9 1/2	17/32	16.78	12.00	33.47	14.68	447
			324	324	178	140	241	13	426	305	850	373	203

MATERIAL SPECIFICATIONS

PART NAME	STAINLESS STEEL
Casing, Cover & Impeller	316L Stainless
Stub Shaft	316L Stainless
Adapter	304 Stainless

PUMP CURVES

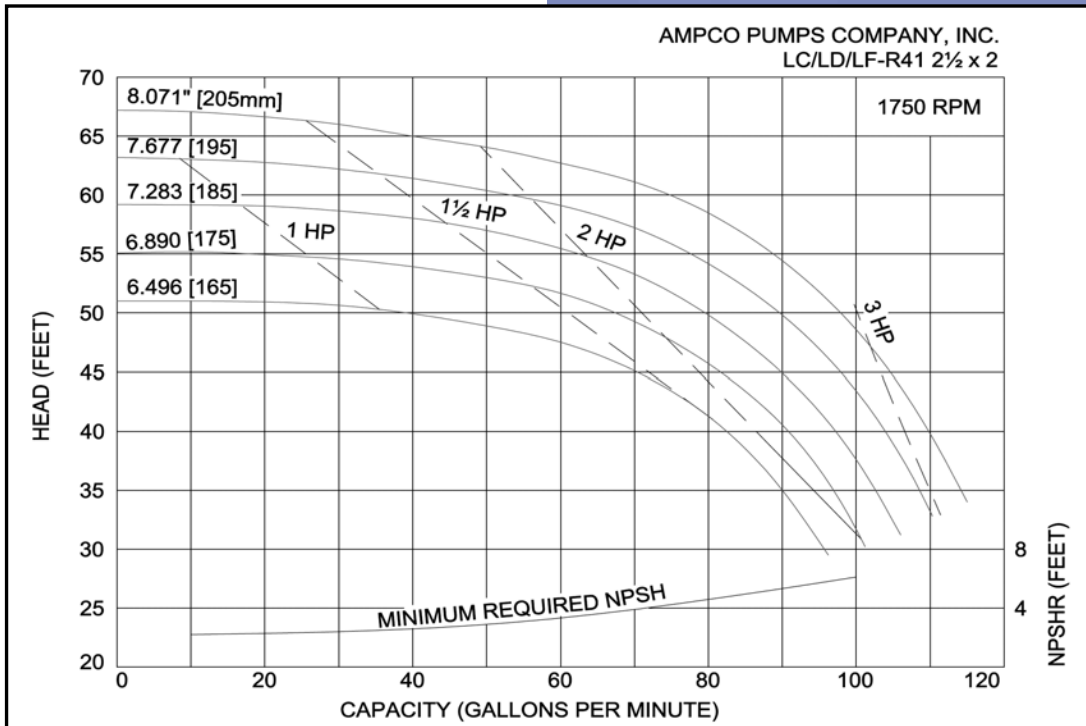
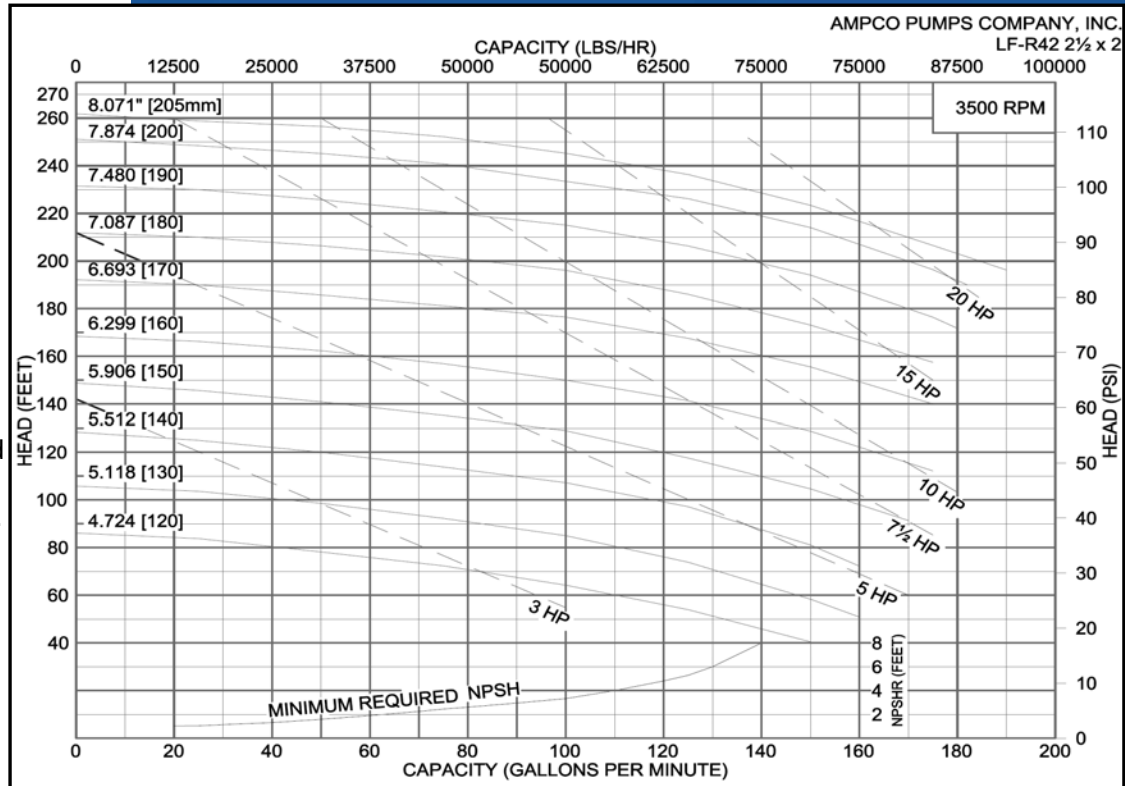
MODEL LF-R41 2½ x 2

MODEL LF-R42 2½ x 2

Curves show approximate characteristics based on clear 68° F water.
Rated point is guaranteed

LF-Series pumps have standard stainless steel adapters and silicon carbide vs. carbon seals.

Ampco Centrifugal Pumps



LF pumps are in conformance with 3A sanitary standards for centrifugal and positive rotary pumps for milk and milk products, Number 02-10.

LF-Series pumps have a standard 32RA (150 grit) finish, on all product contact surfaces.

Ampco Pumps Company

2045 West Mill Road
Glendale, Wisconsin 53209
PHONE (414) 643-1852
FAX (414) 643-4452

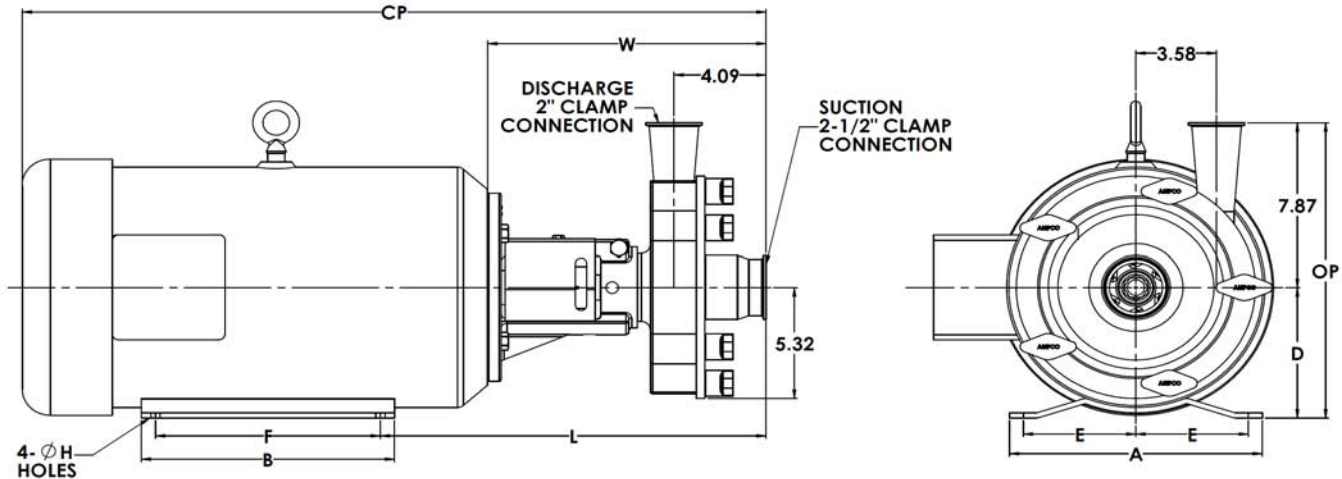
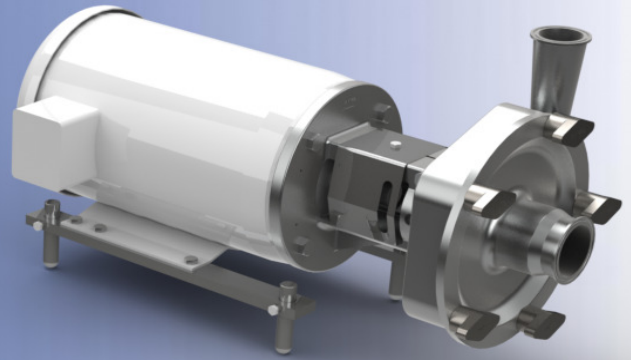
LF-R41/R42 2.5X2 01/11

Ampco Centrifugal Pumps

DATA SHEET

MODEL LF-R141 2½ x 2

MODEL LF-R142 2½ x 2



TEFC MOTOR			DIMENSIONS IN INCHES MILLIMETERS (For Reference Only)										APPROX WEIGHT
HP	RPM	FRAME	A (typ)	B (typ)	D	E	F	ØH	L	W	CP	OP	LBS Kg
1 HP	1750	143TC	6 1/2	6	3 1/2	2 3/4	4	11/32	13.33	10.46	21.62	11.37	104
			165	152	89	70	102	9	339	266	549	289	47
1½ HP	1750	145TC	6 1/2	6	3 1/2	2 3/4	5	11/32	13.33	10.46	21.62	11.37	110
			165	152	89	70	127	9	339	266	549	289	50
2 HP	1750	145TC	6 1/2	6	3 1/2	2 3/4	5	11/32	13.33	10.46	21.62	11.37	113
			165	152	89	70	127	9	339	266	549	289	51
3 HP	1750	182TC	8 5/8	6 1/2	4 1/2	3 3/4	4 1/2	13/32	15.77	12.37	26.08	12.37	140
			219	165	114	95	114	10	401	314	663	314	64
5 HP	1750	184TC	8 5/8	6 1/2	4 1/2	3 3/4	5 1/2	13/32	15.77	12.37	26.08	12.37	147
			219	165	114	95	140	10	401	314	663	314	67
7½ HP	1750	213TC	9 1/2	8	5 1/4	4 1/4	5 1/2	13/32	15.77	12.37	26.08	13.12	164
			241	203	133	108	140	10	401	314	663	333	75
10 HP	3500	215TC	9 1/2	8	5 1/4	4 1/4	7	13/32	15.77	12.37	26.08	13.12	194
			241	203	133	108	178	10	401	314	663	333	88
15 HP	3500	215TC	9 1/2	8	5 1/4	4 1/4	7	13/32	15.77	12.37	26.08	13.12	236
			241	203	133	108	178	10	401	314	663	333	107
20 HP	3500	256TC	11 1/2	11 1/2	6 1/4	5	10	17/32	17.15	12.37	31.72	14.12	361
			292	292	159	127	10	13	436	314	806	359	164
25 HP	3500	284TSC	12 3/4	12 3/4	7	5 1/2	9 1/2	17/32	17.54	12.78	34.24	14.87	454
			324	324	178	140	11	13	445	325	870	378	206
30 HP	3500	286TSC	12 3/4	12 3/4	7	5 1/2	11	17/32	17.54	12.78	34.24	14.87	476
			324	324	178	140	279	13	445	325	870	378	216
40 HP	3500	324TSC	14 1/2	14	8	6 1/4	10 1/2	21/32	18.04	12.78	37.93	15.87	590
			368	356	203	159	267	17	458	325	963	403	268
50 HP	3500	326TSC	14 1/2	14	8	6 1/4	12	21/32	18.04	12.78	37.93	15.87	699
			368	356	203	159	305	17	458	325	963	403	318

MATERIAL SPECIFICATIONS

PART NAME	STAINLESS STEEL
Casing, Cover & Impeller	316L Stainless
Stub Shaft	316L Stainless
Adapter	304 Stainless

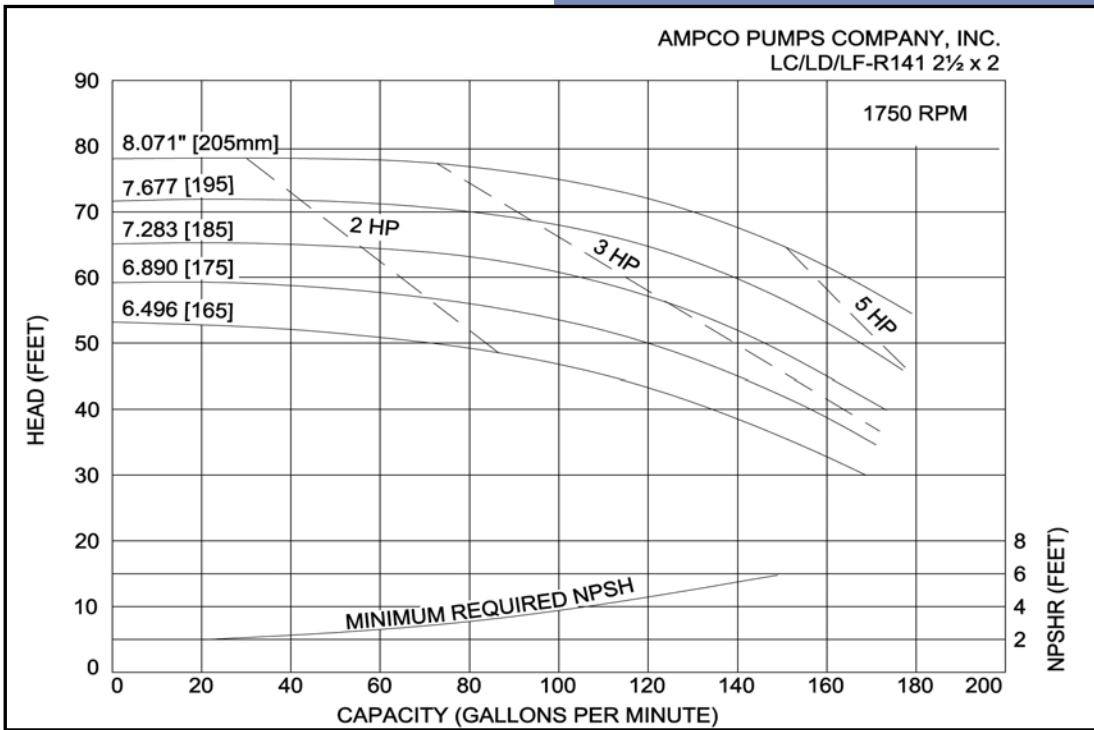
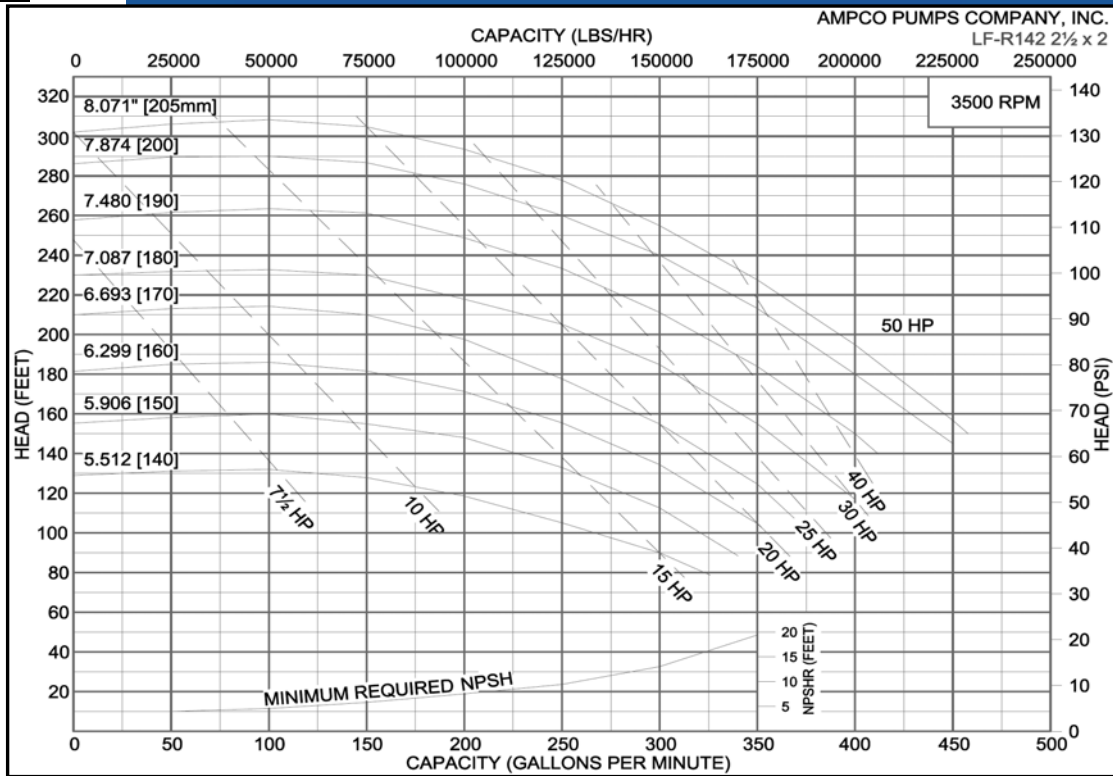
PUMP CURVES

MODEL LF-R141 2½ x 2
MODEL LF-R142 2½ x 2

Ampco Centrifugal Pumps

Curves show approximate characteristics based on clear 68° F water.
Rated point is guaranteed

LF-Series pumps have standard stainless steel adapters and silicon carbide vs. carbon seals.



LF pumps are in conformance with 3A sanitary standards for centrifugal and positive rotary pumps for milk and milk products, Number 02-10.

LF-Series pumps have a standard 32RA (150 grit) finish, on all product contact surfaces.

Ampco Pumps Company

2045 West Mill Road
Glendale, Wisconsin 53209
PHONE (414) 643-1852
FAX (414) 643-4452

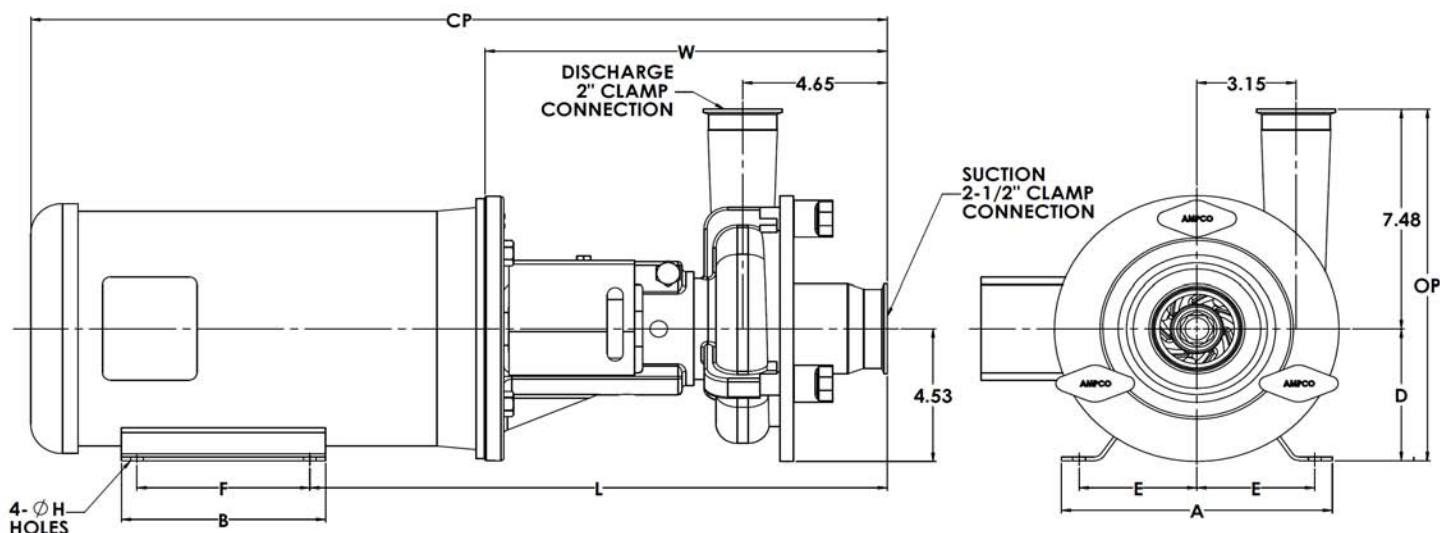
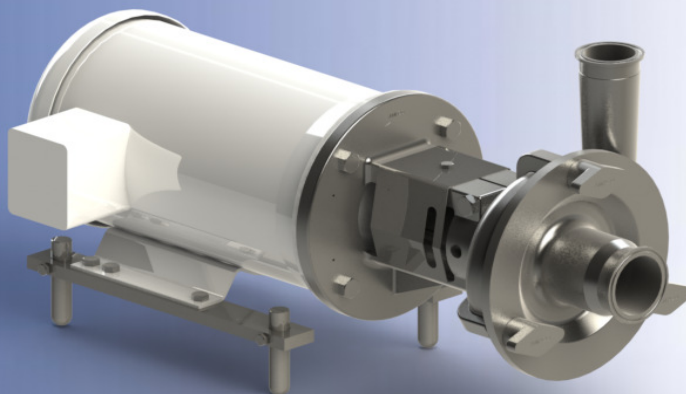
LF-R141/R142 2.5X2 01/11

Ampco Centrifugal Pumps

DATA SHEET

MODEL LF-V521 2½ x 2

MODEL LF-V522 2½ x 2



TEFC MOTOR			DIMENSIONS IN INCHES MILLIMETERS (For Reference Only)										APPROX WEIGHT
HP	RPM	FRAME	A (typ)	B (typ)	D	E	F	ØH	L	W	CP	OP	LBS Kg
1 HP	1750	143TC	6 1/2	6	3 1/2	2 3/4	4	11/32	13.81	10.93	22.10	10.98	86
			165	152	89	70	102	9	351	278	561	279	39
1½ HP	1750	145TC	6 1/2	6	3 1/2	2 3/4	5	11/32	13.81	10.93	22.10	10.98	92
			165	152	89	70	127	9	351	278	561	279	42
2 HP	1750	145TC	6 1/2	6	3 1/2	2 3/4	5	11/32	13.81	10.93	22.10	10.98	95
			165	152	89	70	127	9	351	278	561	279	43
5 HP	3500	184TC	8 5/8	6 1/2	4 1/2	3 3/4	5 1/2	13/32	16.25	12.85	26.56	11.98	127
			219	165	114	95	140	10	413	326	675	304	58
7½ HP	3500	184TC	8 5/8	6 1/2	4 1/2	3 3/4	5 1/2	13/32	16.25	12.85	26.56	11.98	145
			219	165	114	95	140	10	413	326	675	304	66
10 HP	3500	215TC	9 1/2	8	5 1/4	4 1/4	7	13/32	17.13	12.85	29.26	12.73	179
			241	203	133	108	178	10	435	326	743	323	81
15 HP	3500	215TC	9 1/2	8	5 1/4	4 1/4	7	13/32	17.13	12.85	29.26	12.73	219
			241	203	133	108	178	10	435	326	743	323	100

MATERIAL SPECIFICATIONS

PART NAME	STAINLESS STEEL
Casing, Cover & Impeller	316L Stainless
Stub Shaft	316L Stainless
Adapter	304 Stainless

PUMP CURVES

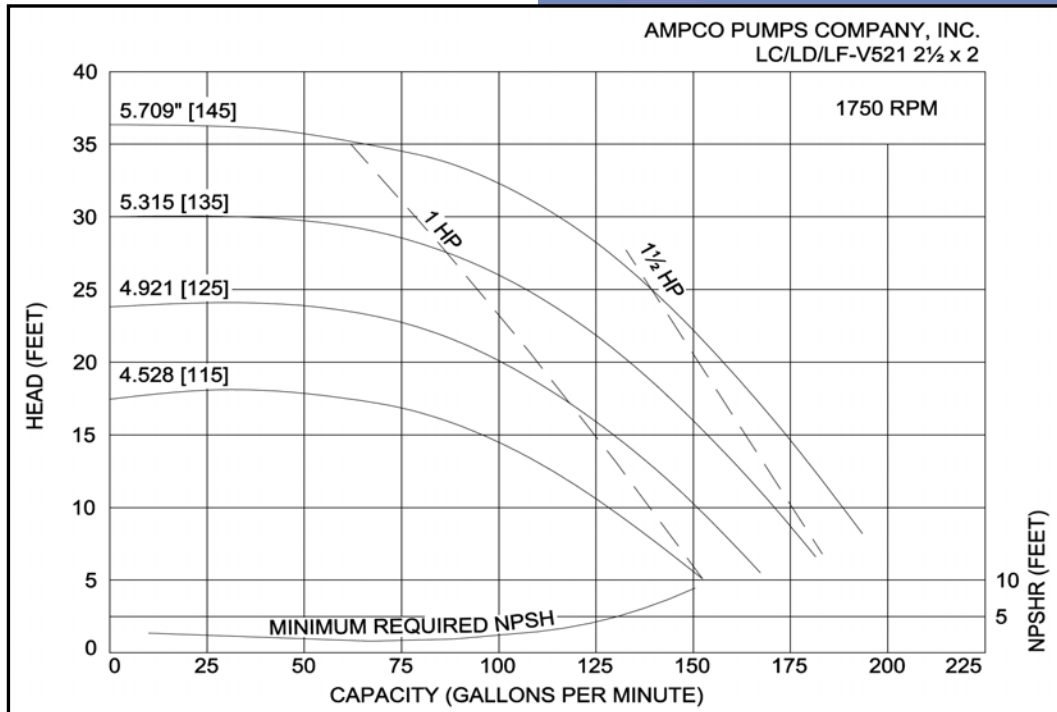
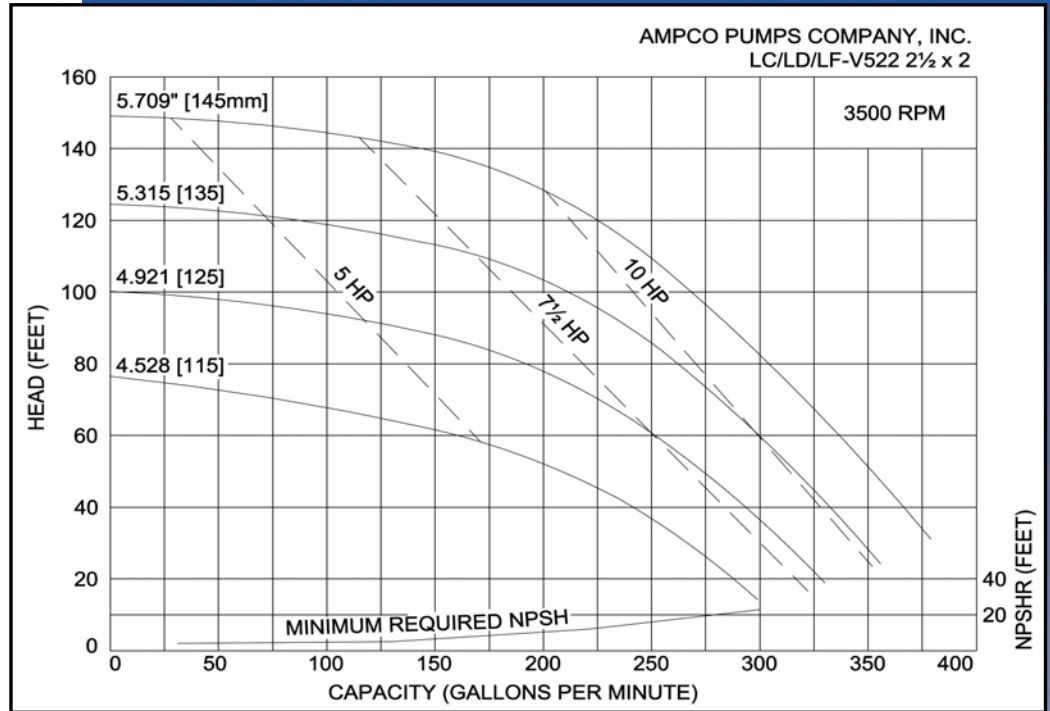
MODEL LF-V521 2½ x 2

MODEL LF-V522 2½ x 2

Curves show approximate characteristics based on clear 68° F water.
Rated point is guaranteed

LF-Series pumps have standard stainless steel adapters and silicon carbide vs. carbon seals.

Ampco Centrifugal Pumps



LF pumps are in conformance with 3A sanitary standards for centrifugal and positive rotary pumps for milk and milk products, Number 02-10.

LF-Series pumps have a standard 32RA (150 grit) finish, on all product contact surfaces.

Ampco Pumps Company

2045 West Mill Road
Glendale, Wisconsin 53209
PHONE (414) 643-1852
FAX (414) 643-4452

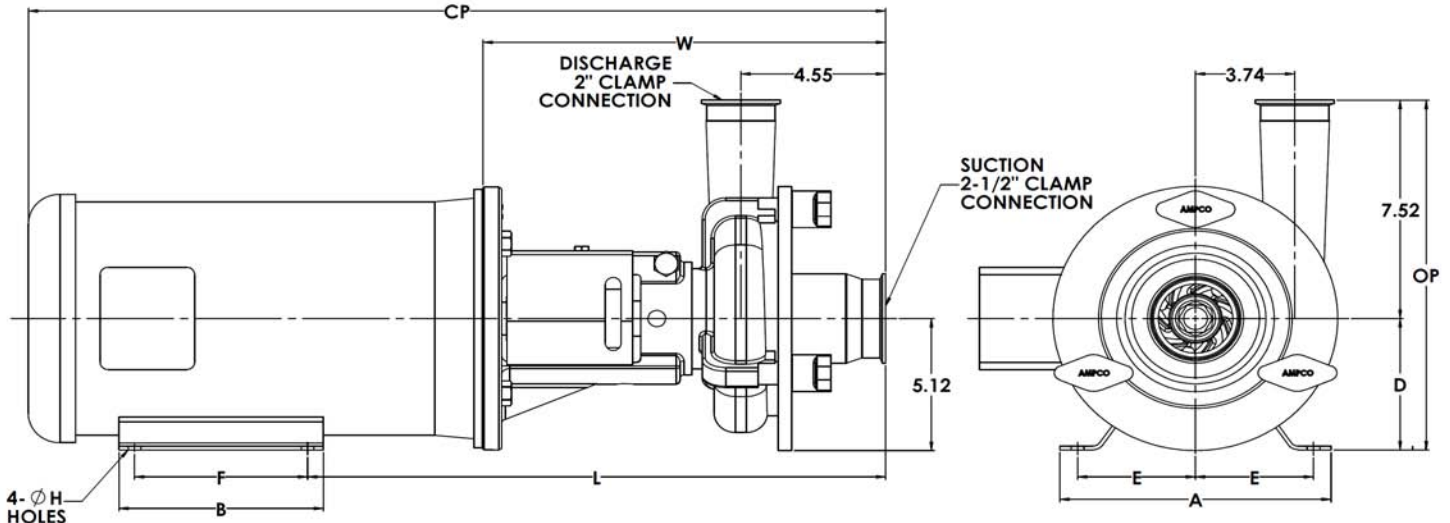
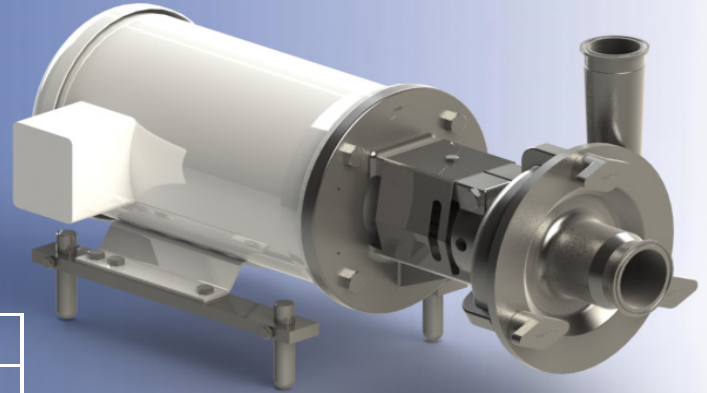
LF-V521/V522 2.5X2 01/11

Ampco Centrifugal Pumps

DATA SHEET

MODEL LF-V531 2½ x 2

MODEL LF-V532 2½ x 2



TEFC MOTOR			DIMENSIONS IN INCHES MILLIMETERS (For Reference Only)										APPROX WEIGHT
HP	RPM	FRAME	A (typ)	B (typ)	D	E	F	ØH	L	W	CP	OP	LBS Kg
1 HP	1750	143TC	6 1/2	6	3 1/2	2 3/4	4	11/32	13.81	10.93	22.10	11.02	92
			165	152	89	70	102	9	351	278	561	280	42
1½ HP	1750	145TC	6 1/2	6	3 1/2	2 3/4	5	11/32	13.81	10.93	22.10	11.02	98
			165	152	89	70	127	9	351	278	561	280	45
2 HP	1750	145TC	6 1/2	6	3 1/2	2 3/4	5	11/32	13.81	10.93	22.10	11.02	101
			165	152	89	70	127	9	351	278	561	280	46
3 HP	1750	182TC	8 5/8	6 1/2	4 1/2	3 3/4	4 1/2	13/32	16.25	12.84	26.56	12.02	131
			219	165	114	95	114	10	413	326	675	305	60
5 HP	1750	184TC	8 5/8	6 1/2	4 1/2	3 3/4	5 1/2	13/32	16.25	12.84	26.56	12.02	138
			219	165	114	95	140	10	413	326	675	305	63
5 HP	3500	184TC	8 5/8	6 1/2	4 1/2	3 3/4	5 1/2	13/32	16.25	12.84	26.56	12.02	188
			219	165	114	95	140	10	413	326	675	305	85
7½ HP	3500	184TC	8 5/8	6 1/2	4 1/2	3 3/4	5 1/2	13/32	16.25	12.84	26.56	12.02	198
			219	165	114	95	140	10	413	326	675	305	90
10 HP	3500	215TC	9 1/2	8	5 1/4	4 1/4	7	13/32	17.12	12.84	29.26	12.77	313
			241	203	133	108	178	10	435	326	743	324	142
15 HP	3500	215TC	9 1/2	8	5 1/4	4 1/4	7	13/32	17.12	12.84	29.26	12.77	334
			241	203	133	108	178	10	435	326	743	324	152
20 HP	3500	256TC	11 1/2	11 1/2	6 1/4	5	10	17/32	17.62	12.84	32.19	13.77	376
			292	292	159	127	254	13	448	326	818	350	171
25HP	3500	284TSC	12 3/4	12 3/4	7	5 1/2	9 1/2	17/32	18.01	13.25	34.72	14.52	469
			324	324	178	140	241	13	458	337	882	369	213

MATERIAL SPECIFICATIONS

PART NAME	STAINLESS STEEL
Casing, Cover & Impeller	316L Stainless
Stub Shaft	316L Stainless
Adapter	304 Stainless

PUMP CURVES

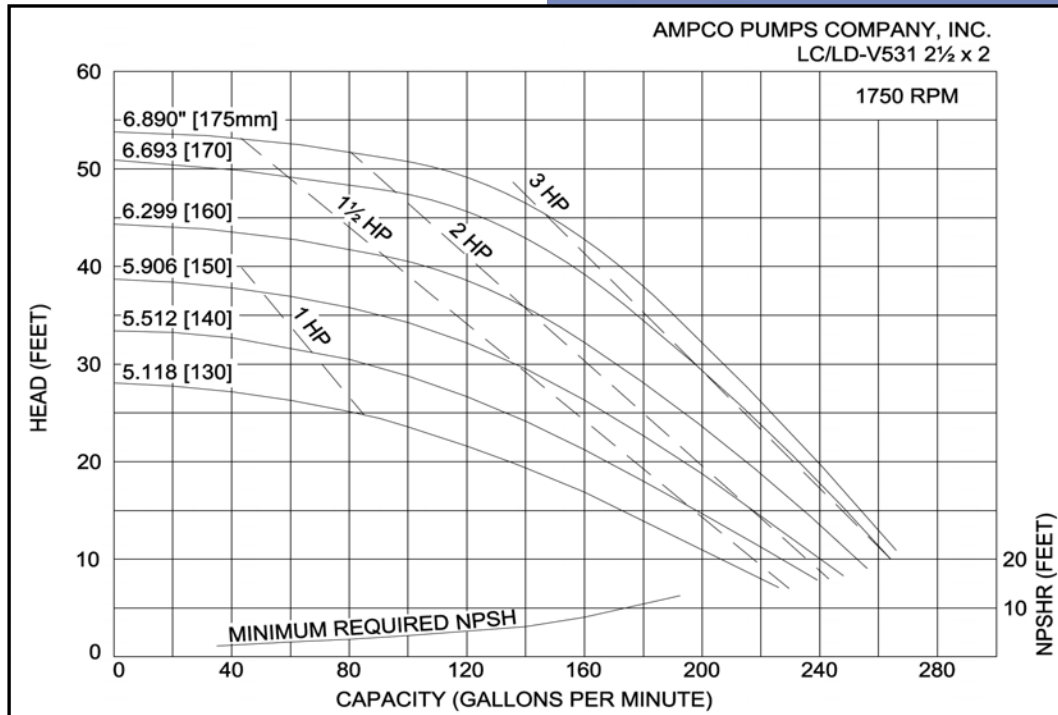
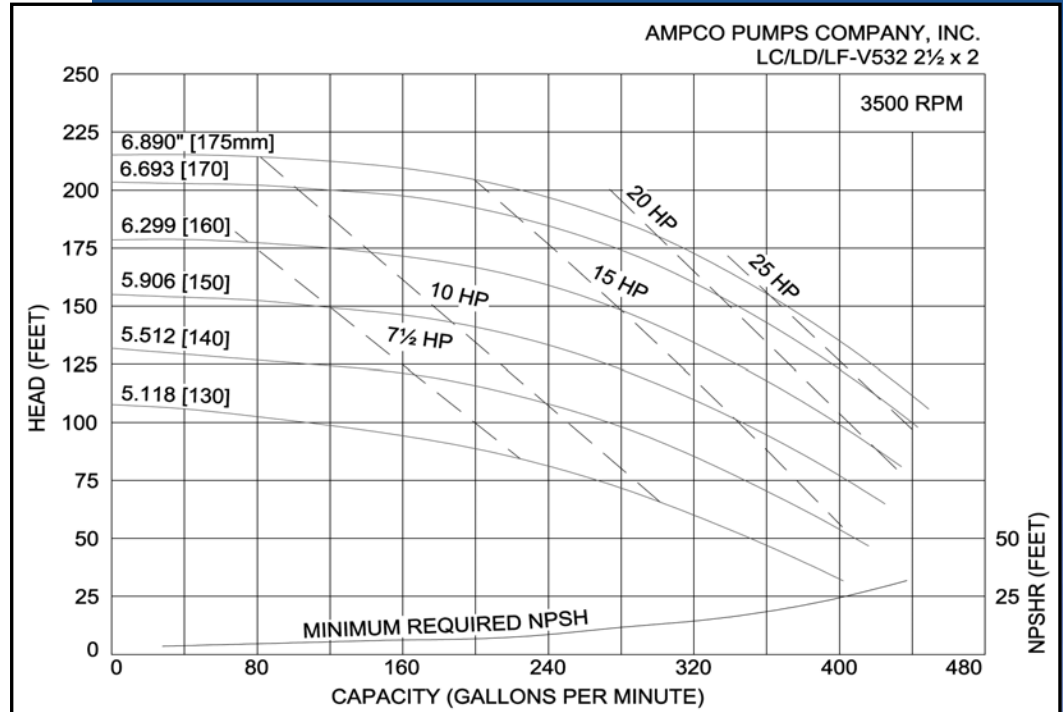
MODEL LF-V531 2½ x 2

MODEL LF-V532 2½ x 2

Curves show approximate characteristics based on clear 68° F water.
Rated point is guaranteed

LF-Series pumps have standard stainless steel adapters and silicon carbide vs. carbon seals.

Ampco Centrifugal Pumps



LF pumps are in conformance with 3A sanitary standards for centrifugal and positive rotary pumps for milk and milk products, Number 02-10.

LF-Series pumps have a standard 32RA (150 grit) finish, on all product contact surfaces.

Ampco Pumps Company

2045 West Mill Road
Glendale, Wisconsin 53209
PHONE (414) 643-1852
FAX (414) 643-4452

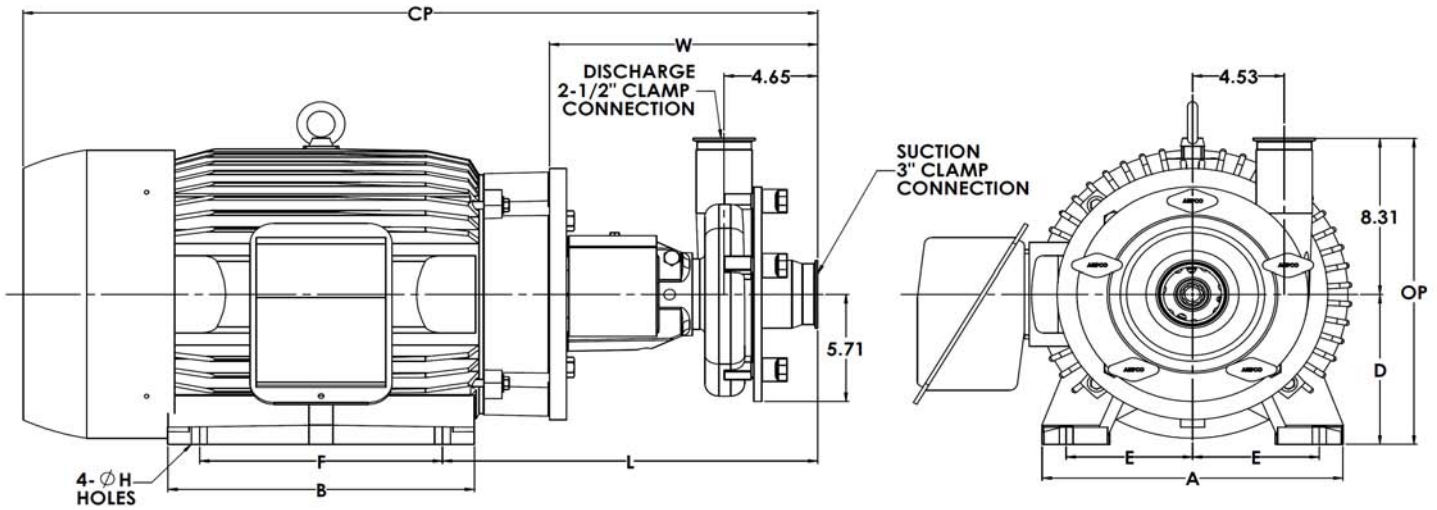
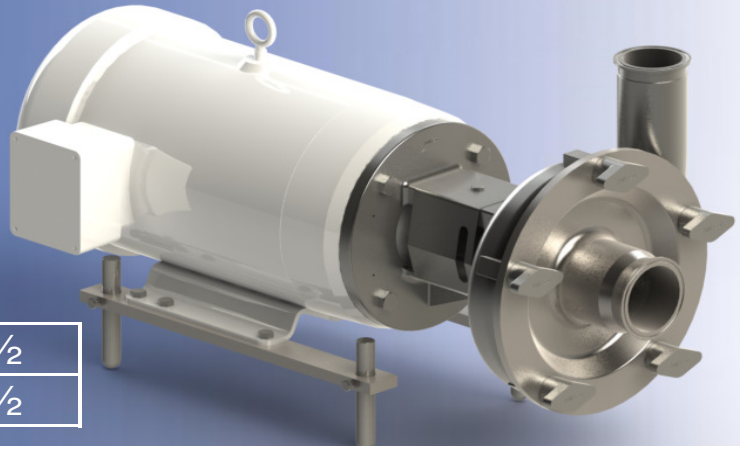
LF-V531/V532 2.5X2 01/11

Ampco Centrifugal Pumps

DATA SHEET

MODEL LF-V541 3 x 2½

MODEL LF-V542 3 x 2½



TEFC MOTOR			DIMENSIONS IN INCHES MILLIMETERS (For Reference Only)										APPROX WEIGHT
HP	RPM	FRAME	A (typ)	B (typ)	D	E	F	ØH	L	W	CP	OP	LBS Kg
2 HP	1750	145TC	6 1/2	6	3 1/2	2 3/4	5	11/32	13.81	10.93	22.10	11.81	117
			165	152	89	70	127	9	351	278	561	300	53
3 HP	1750	182TC	8 5/8	6 1/2	4 1/2	2 3/4	4 1/2	13/32	16.25	12.84	26.56	12.81	147
			219	165	114	70	114	10	413	326	675	325	67
5	1750	184TC	8 5/8	6 1/2	4 1/2	3 3/4	5 1/2	13/32	16.25	12.84	26.56	12.81	154
			219	165	114	95	140	10	413	326	675	325	70
7½ HP	1750	213TC	9 1/2	8	5 1/4	4 1/4	5 1/2	13/32	17.12	12.84	29.26	13.56	205
			241	203	133	108	140	10	435	326	743	344	93
10 HP	3500	215TC	9 1/2	8	5 1/4	4 1/4	7	13/32	17.12	12.84	29.26	13.56	201
			241	203	133	108	178	10	435	326	743	344	91
15 HP	3500	215TC	9 1/2	8	5 1/4	4 1/4	7	13/32	17.12	12.84	29.26	13.56	241
			241	203	133	108	178	10	435	326	743	344	110
20 HP	3500	256TC	11 1/2	11 1/2	6 1/4	5	10	17/32	17.62	12.84	32.19	14.56	368
			292	292	159	127	254	13	448	326	818	370	167
25 HP	3500	284TSC	12 3/4	12 3/4	7	5 1/2	9 1/2	17/32	18.01	13.25	34.72	15.31	461
			324	324	178	140	241	13	458	337	882	389	210
30 HP	3500	286TSC	12 3/4	12 3/4	7	5 1/2	11	17/32	18.01	13.25	34.72	15.31	483
			324	324	178	140	279	13	458	337	882	389	220
40 HP	3500	324TSC	14 1/2	14	8	6 1/4	10 1/2	21/32	18.01	13.25	38.40	16.31	597
			368	356	203	159	267	17	458	337	975	414	271
50 HP	3500	326TSC	14 1/2	14	8	6 1/4	12	21/32	18.51	13.25	38.40	16.31	706
			368	356	203	159	305	17	470	337	975	414	321

MATERIAL SPECIFICATIONS

PART NAME	STAINLESS STEEL
Casing, Cover & Impeller	316L Stainless
Stub Shaft	316L Stainless
Adapter	304 Stainless

PUMP CURVES

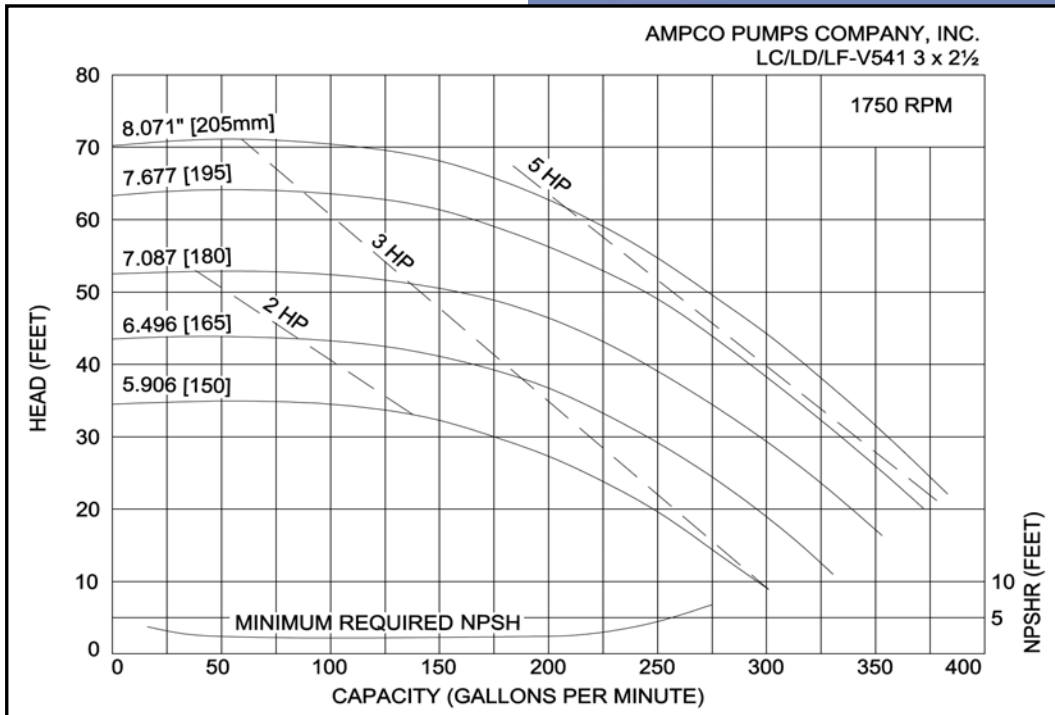
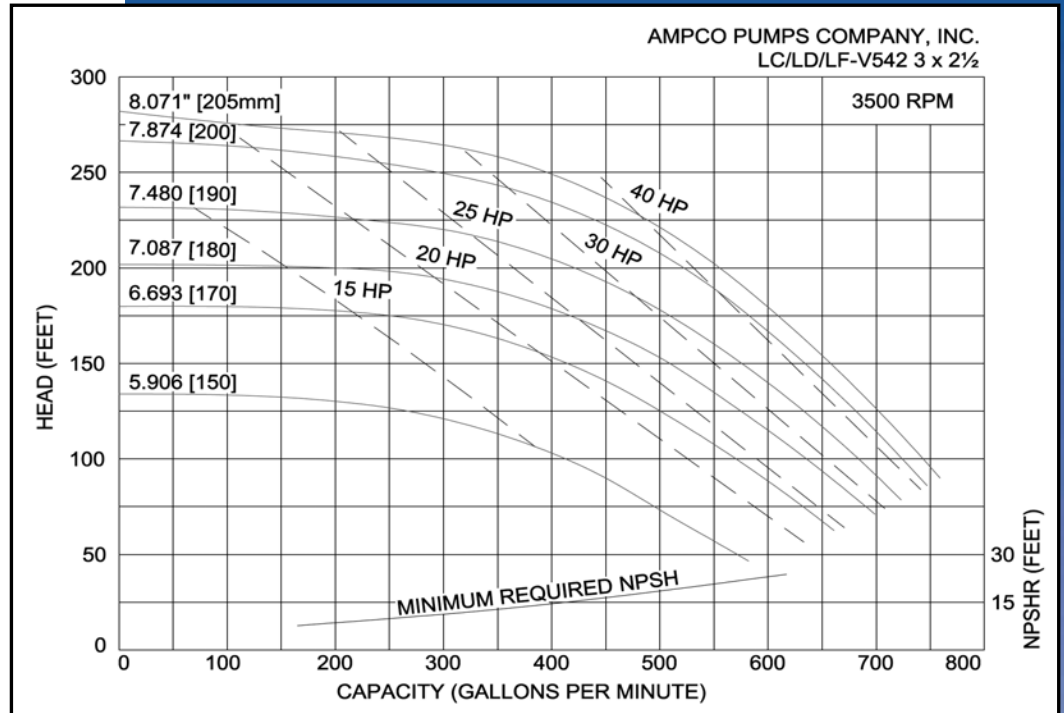
MODEL LF-V541 3 x 2½

MODEL LF-V542 3 x 2½

Curves show approximate characteristics based on clear 68° F water.
Rated point is guaranteed

LF-Series pumps have standard stainless steel adapters and silicon carbide vs. carbon seals.

Ampco Centrifugal Pumps



LF pumps are in conformance with 3A sanitary standards for centrifugal and positive rotary pumps for milk and milk products, Number 02-10.

LF-Series pumps have a standard 32RA (150 grit) finish, on all product contact surfaces.

**Ampco
Pumps
Company**

2045 West Mill Road
Glendale, Wisconsin 53209
PHONE (414) 643-1852
FAX (414) 643-4452

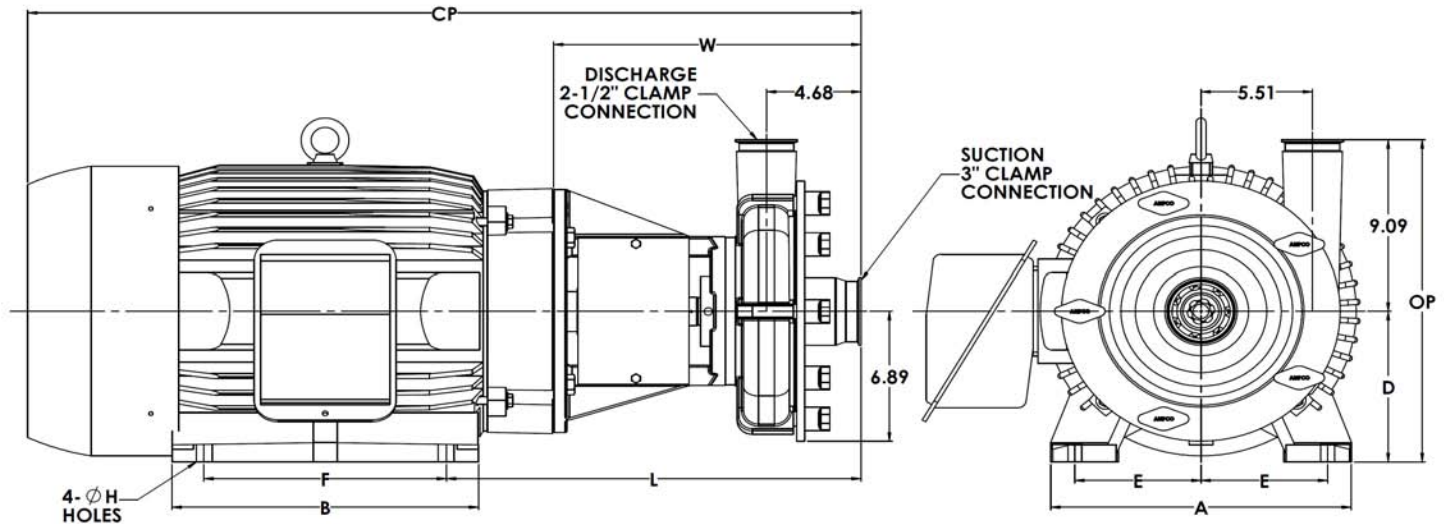
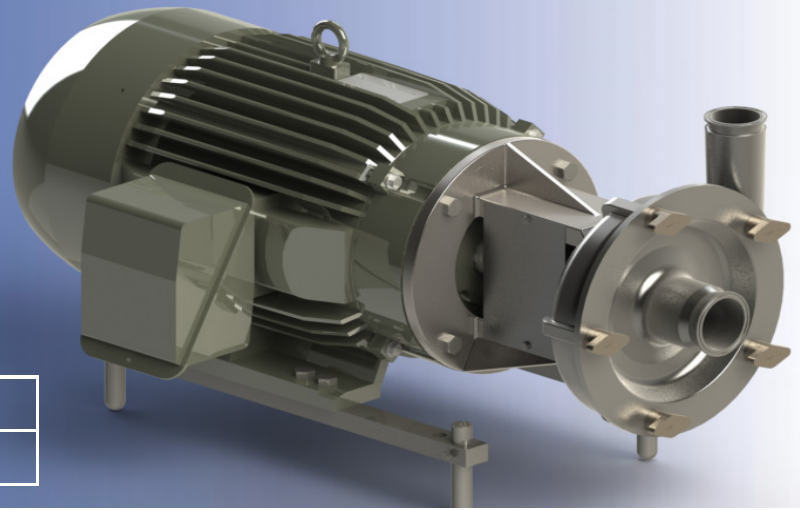
LF-V541/V542 3X2.5 01/11

Ampco Centrifugal Pumps

DATA SHEET

MODEL LF-V551 3 x 2 1/2

MODEL LF-V552 3 x 2 1/2



TEFC MOTOR			DIMENSIONS IN INCHES MILLIMETERS (For Reference Only)										APPROX WEIGHT
HP	RPM	FRAME	A (typ)	B (typ)	D	E	F	ØH	L	W	CP	OP	LBS Kg
5	1750	184TC	8 5/8	6 1/2	4 1/2	3 3/4	5 1/2	13/32	16.43	13.03	26.74	13.59	199
			219	165	114	95	140	10	417	331	679	345	90
7 1/2 HP	1750	213TC	9 1/2	8	5 1/4	4 1/4	5 1/2	13/32	17.31	13.03	29.44	14.34	249
			241	203	133	108	140	10	440	331	748	364	113
10 HP	1750	215TC	9 1/2	8	5 1/4	4 1/4	7	13/32	17.31	13.03	29.44	14.34	259
			241	203	133	108	178	10	440	331	748	364	118
15 HP	1750	254TC	11 1/2	11 1/2	6 1/4	5	8 1/4	17/32	17.81	13.03	32.38	15.34	371
			292	292	159	127	210	13	452	331	822	390	169
20 HP	1750	256TC	11 1/2	11 1/2	6 1/4	5	10	17/32	17.81	13.03	32.38	15.34	394
			292	292	159	127	254	13	452	331	822	390	179
25 HP	3500	284TSC	12 3/4	12 3/4	7	5 1/2	9 1/2	17/32	18.29	13.53	35.00	16.09	483
			324	324	178	140	241	13	465	344	889	409	220
30 HP	3500	286TSC	12 3/4	12 3/4	7	5 1/2	11	17/32	18.29	13.53	35.00	16.09	505
			324	324	178	140	279	13	465	344	889	409	230
40 HP	3500	324TSC	14 1/2	14	8	6 1/4	10 1/2	21/32	20.47	15.21	40.36	17.09	619
			368	356	203	159	267	17	520	386	1025	434	281
50 HP	3500	326TSC	14 1/2	14	8	6 1/4	12	21/32	20.47	15.21	40.36	17.09	728
			368	356	203	159	305	17	520	386	1025	434	331
75 HP	3500	365TSC	17	15	9	7	12 1/4	21/32	21.10	15.21	42.59	18.09	728
			432	381	229	178	311	17	536	386	1082	460	331

MATERIAL SPECIFICATIONS

PART NAME	STAINLESS STEEL
Casing, Cover & Impeller	316L Stainless
Stub Shaft	316L Stainless
Adapter	304 Stainless

PUMP CURVES

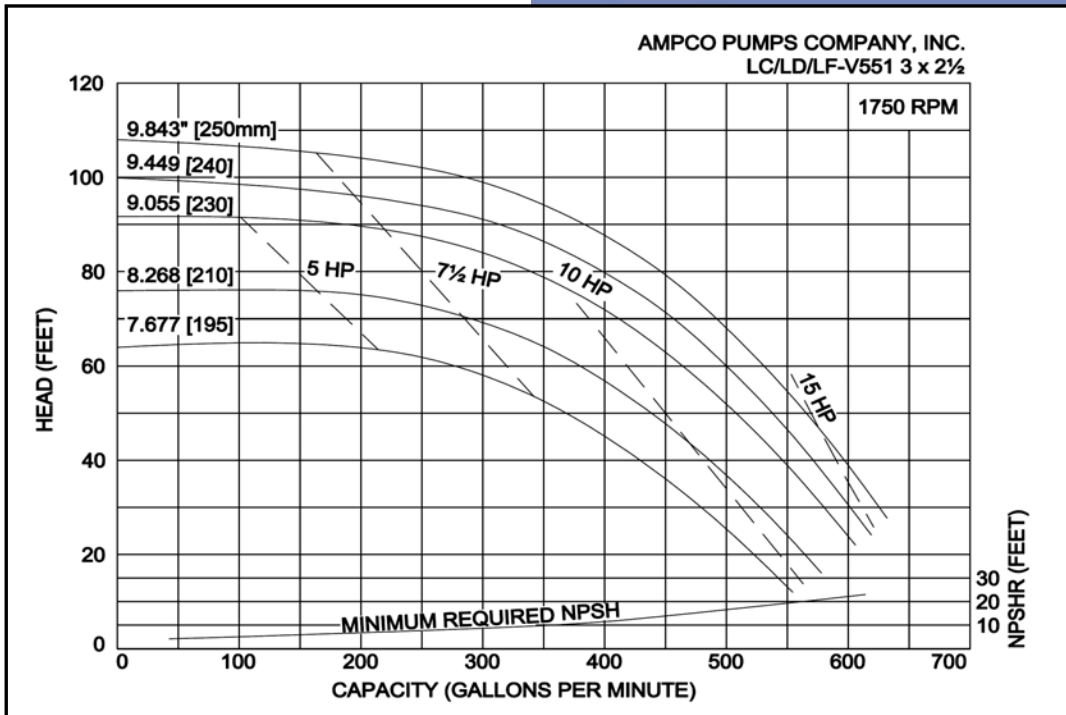
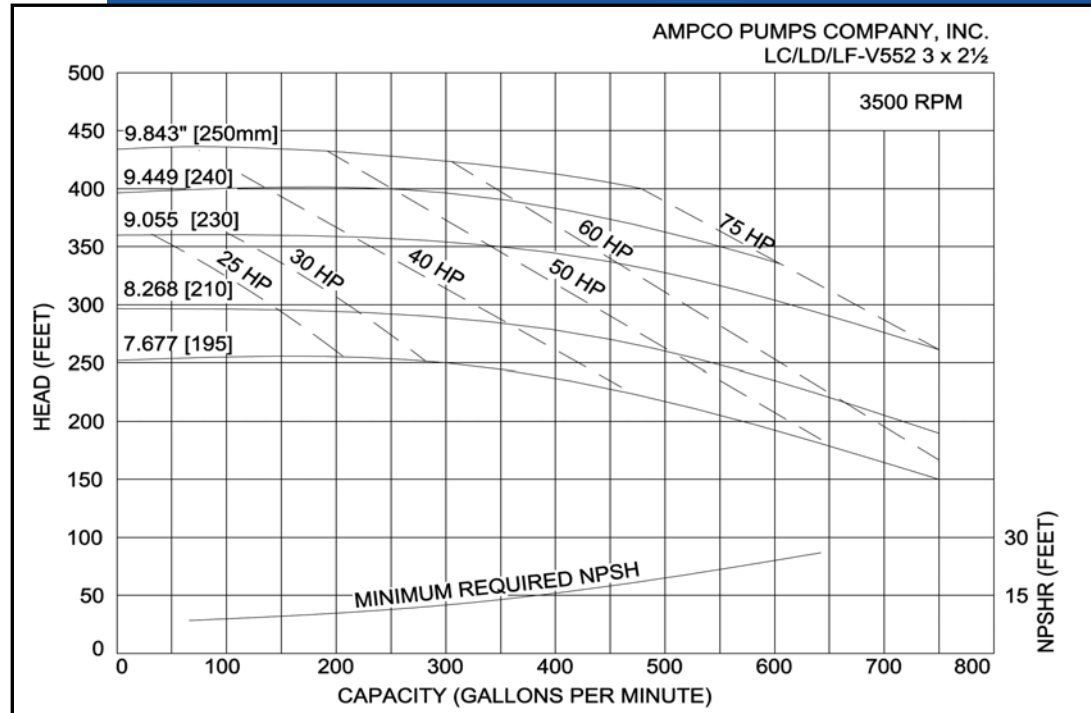
MODEL LF-V551 3 x 2½

MODEL LF-V552 3 x 2½

Curves show approximate characteristics based on clear 68° F water.
Rated point is guaranteed

LF-Series pumps have standard stainless steel adapters and silicon carbide vs. carbon seals.

Ampco Centrifugal Pumps



LF pumps are in conformance with 3A sanitary standards for centrifugal and positive rotary pumps for milk and milk products, Number 02-10.

LF-Series pumps have a standard 32RA (150 grit) finish, on all product contact surfaces.

Ampco Pumps Company

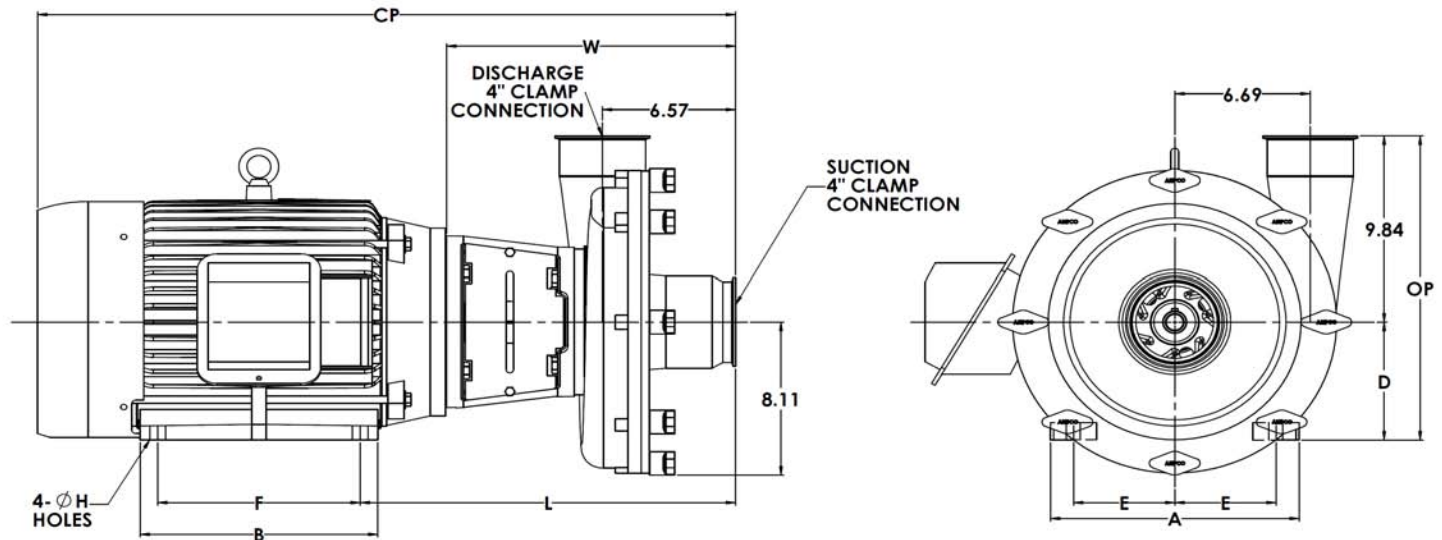
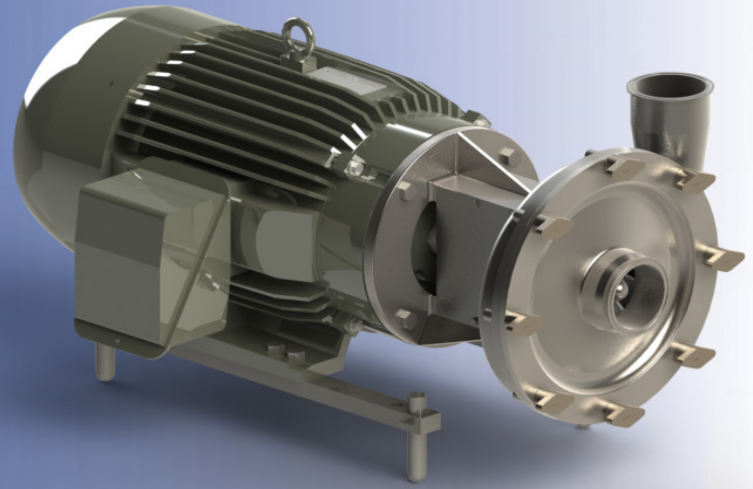
2045 West Mill Road
Glendale, Wisconsin 53209
PHONE (414) 643-1852
FAX (414) 643-4452

LF-V551/552 3X2.5 01/11

Ampco Centrifugal Pumps

DATA SHEET

MODEL LF-X051 4 x 4



TEFC MOTOR			DIMENSIONS IN INCHES MILLIMETERS (For Reference Only)										APPROX WEIGHT
HP	RPM	FRAME	A (typ)	B (typ)	D	E	F	ØH	L	W	CP	OP	LBS Kg
7½ HP	1750	213TC	9 1/2	8	5 1/4	4 1/4	5 1/2	13/32	18.54	14.26	30.68	15.09	300
			241	203	133	108	140	10	471	362	779	383	136
10 HP	1750	215TC	9 1/2	8	5 1/4	4 1/4	7	13/32	18.54	14.26	30.68	15.09	310
			241	203	133	108	178	10	471	362	779	383	141
15HP	1750	254TC	11 1/2	11 1/2	6 1/4	5	8 1/4	17/32	19.04	14.26	33.61	16.09	424
			292	292	159	127	210	13	484	362	854	409	193
20 HP	1750	256TC	11 1/2	11 1/2	6 1/4	5	10	17/32	19.04	14.26	33.61	16.09	445
			292	292	159	127	254	13	484	362	854	409	202
25 HP	1750	284TC	12 3/4	12 3/4	7	5 1/2	9 1/2	17/32	19.53	14.77	36.24	16.84	578
			324	324	178	140	241	13	496	375	920	428	263

MATERIAL SPECIFICATIONS

PART NAME	STAINLESS STEEL
Casing, Cover & Impeller	316L Stainless
Stub Shaft	316L Stainless
Adapter	304 Stainless

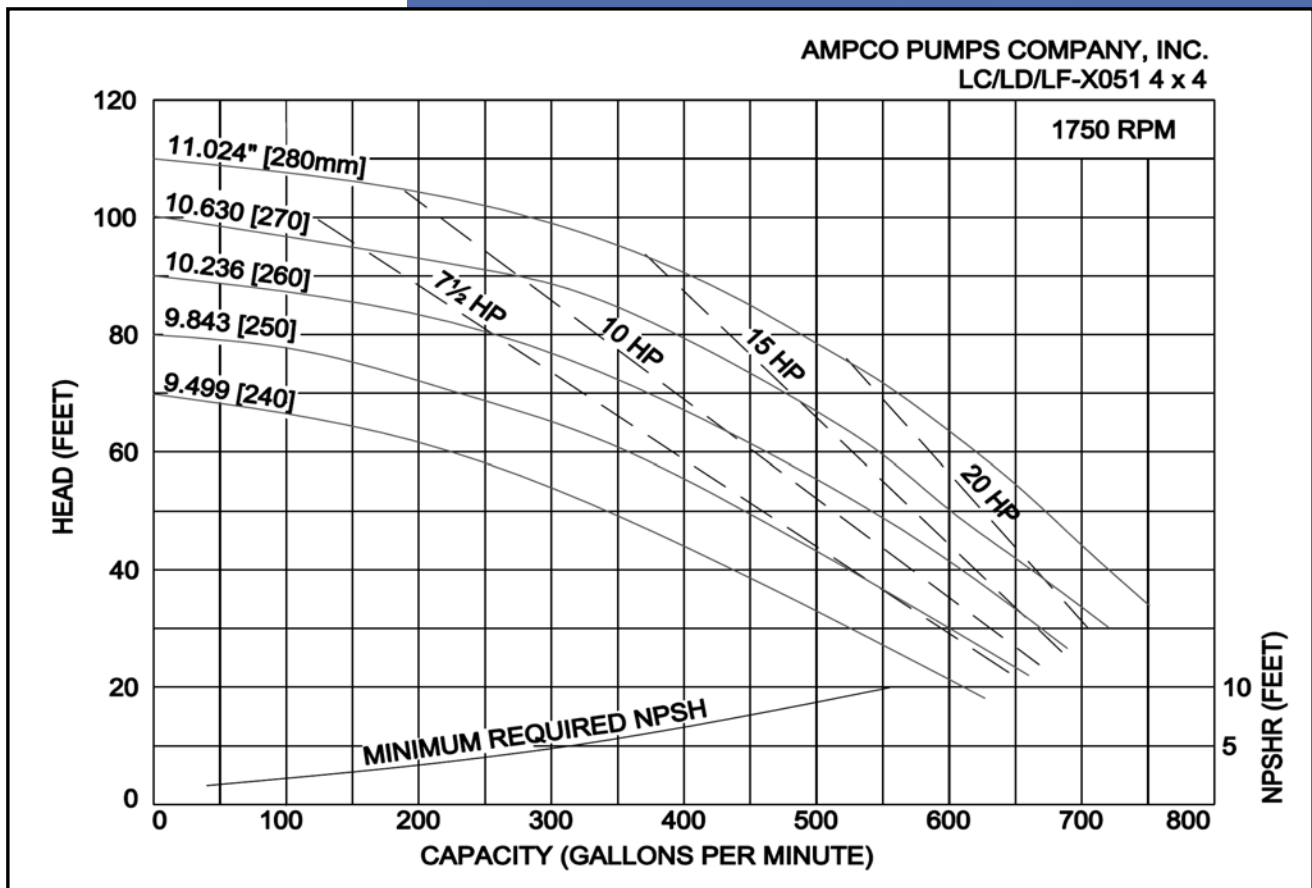
Ampco Centrifugal Pumps

PUMP CURVE

MODEL LF-X051 4 x 4

Curves show approximate characteristics based on clear 68° F water.
Rated point is guaranteed

LF-Series pumps have standard stainless steel adapters and silicon carbide vs. carbon seals.



LF pumps are in conformance with 3A sanitary standards for centrifugal and positive rotary pumps for milk and milk products, Number 02-10.

LF-Series pumps have a standard 32RA (150 grit) finish, on all product contact surfaces.

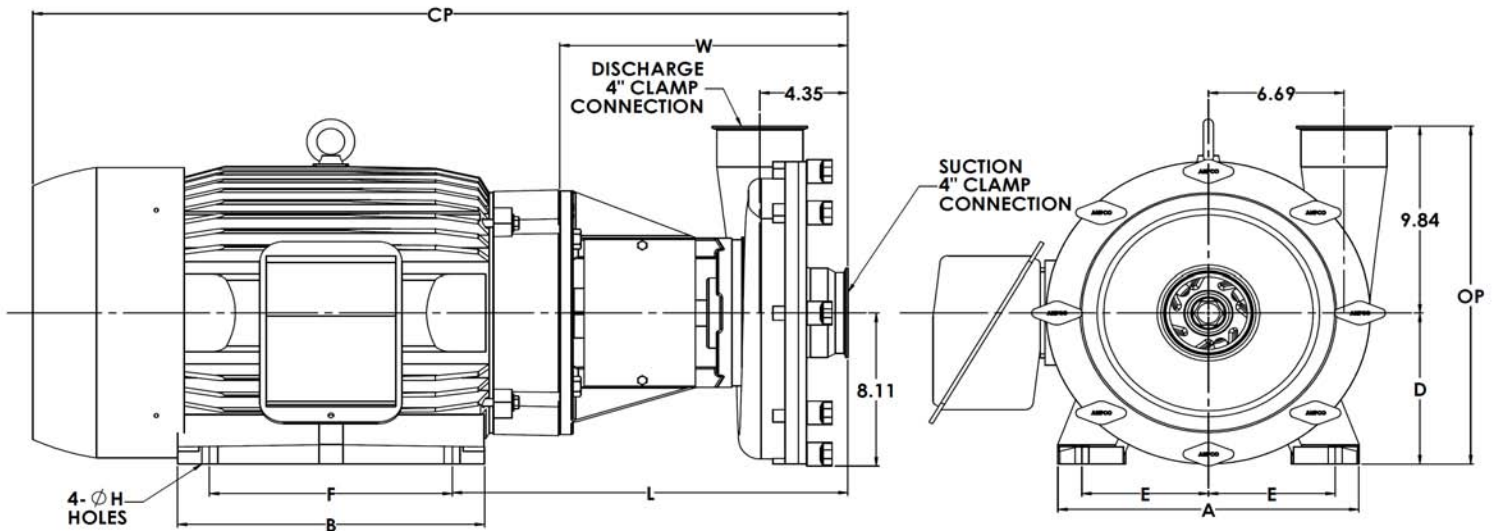
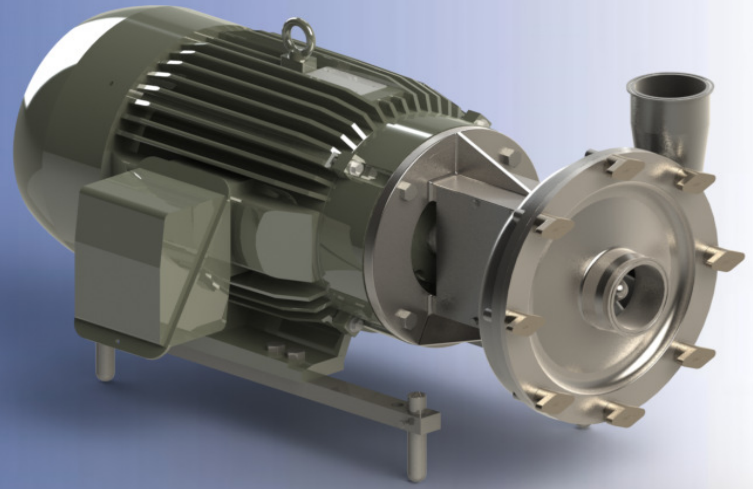
AmpcoPumps Company

2045 West Mill Road-Glendale, Wisconsin 53209-PHONE (414) 643-1852-FAX (414) 643-4452

Ampco Centrifugal Pumps

DATA SHEET

MODEL LF-X161 4 x 4



TEFC MOTOR			DIMENSIONS IN INCHES MILLIMETERS (For Reference Only)										APPROX WEIGHT
HP	RPM	FRAME	A (typ)	B (typ)	D	E	F	ØH	L	W	CP	OP	LBS Kg
15 HP	1750	254TC	11 1/2	11 1/2	6 1/4	5	8 1/4	17/32	16.82	12.04	31.39	16.09	426
			292	292	159	127	210	13	427	306	797	409	194
20 HP	1750	256TC	11 1/2	11 1/2	6 1/4	5	10	17/32	16.82	12.04	31.39	16.09	447
			292	292	159	127	254	13	427	306	797	409	203
25 HP	1750	284TC	12 3/4	12 3/4	7	5 1/2	9 1/2	17/32	17.31	12.55	34.02	16.84	580
			324	324	178	140	241	13	440	319	864	428	264
30 HP	1750	286TC	12 3/4	12 3/4	7	5 1/2	11	17/32	17.31	12.55	34.02	16.84	591
			324	324	178	140	279	13	440	319	864	428	269
40 HP	1750	324TC	14 1/2	14	8	6 1/4	10 1/2	21/32	19.49	14.23	39.38	17.84	780
			368	356	203	159	267	17	495	361	1000	453	355
50 HP	1750	326TC	14 1/2	14	8	6 1/4	12	21/32	19.49	14.23	39.38	17.84	765
			368	356	203	159	305	17	495	361	1000	453	348

MATERIAL SPECIFICATIONS

PART NAME	STAINLESS STEEL
Casing, Cover & Impeller	316L Stainless
Stub Shaft	316L Stainless
Adapter	304 Stainless

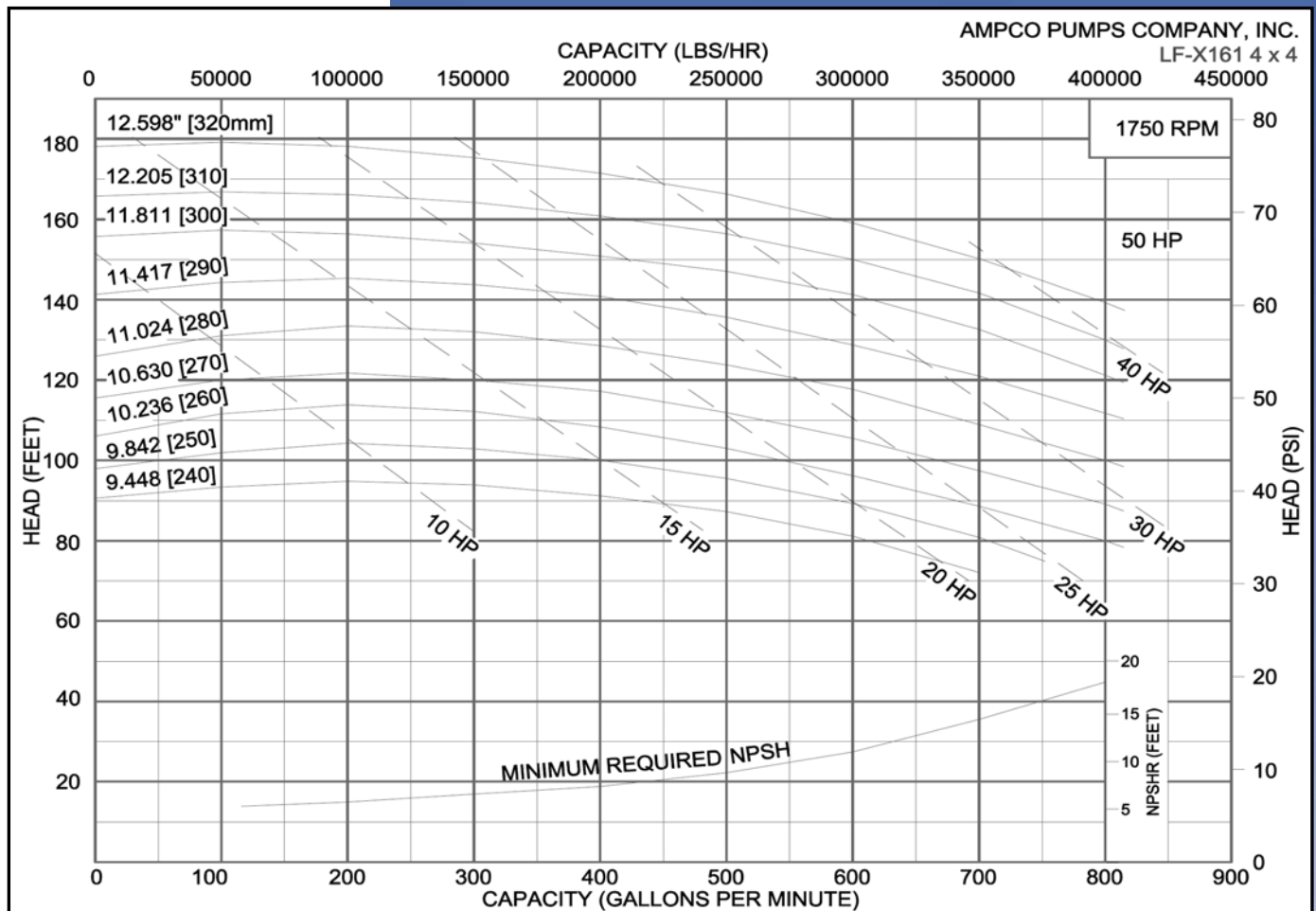
Ampco Centrifugal Pumps

PUMP CURVE

MODEL LF-X161 4 x 4

Curves show approximate characteristics based on clear 68° F water.
Rated point is guaranteed

LF-Series pumps have standard stainless steel adapters and silicon carbide vs. carbon seals.



LF pumps are in conformance with 3A sanitary standards for centrifugal and positive rotary pumps for milk and milk products, Number 02-10.

LF-Series pumps have a standard 32RA (150 grit) finish, on all product contact surfaces.

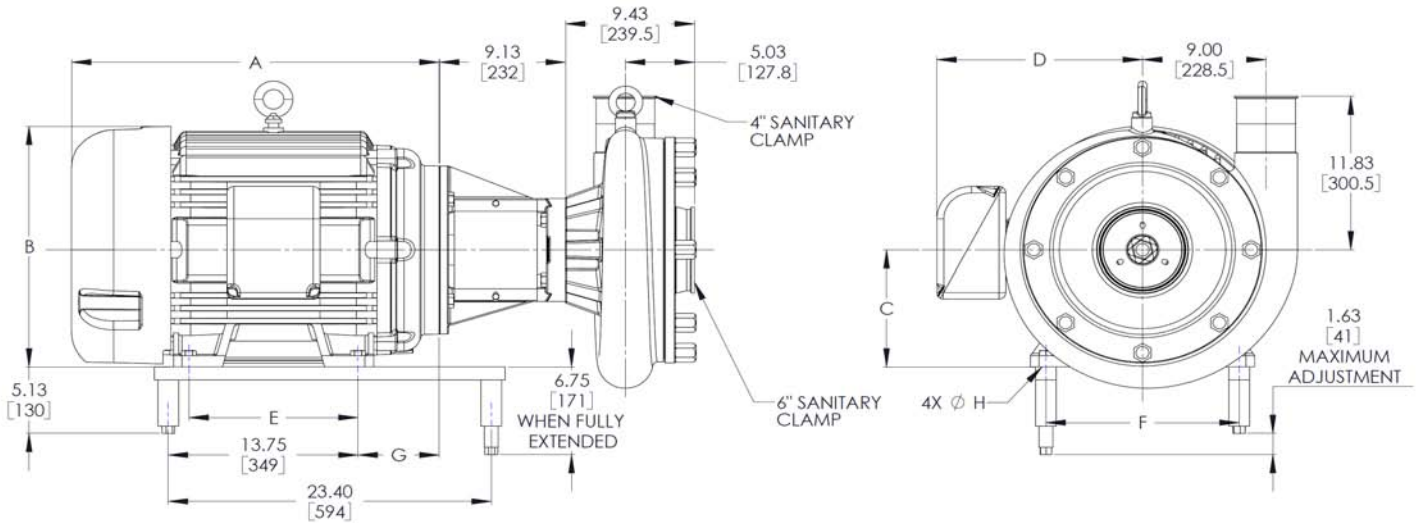
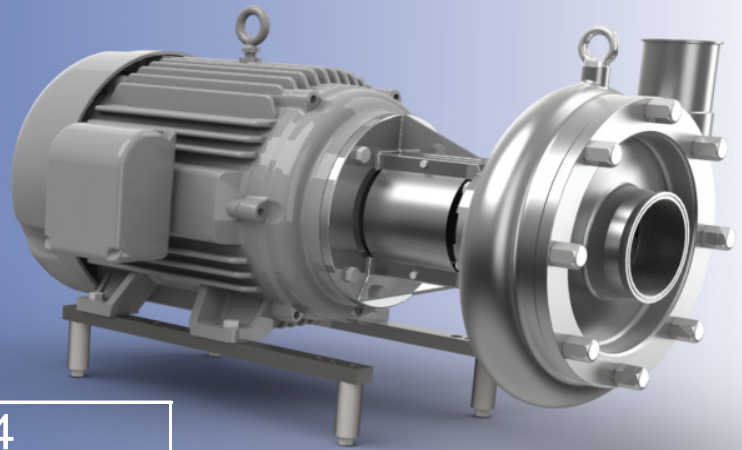
AmpcoPumps Company

2045 West Mill Road-Glendale, Wisconsin 53209-PHONE (414) 643-1852-FAX (414) 643-4452

Ampco Centrifugal Pumps

DATA SHEET

MODEL LF-401 6 x 4



LEG KIT OPTIONAL

MOTOR HP 1750 RPM	NEMA FRAME	DIMENSIONS IN INCHES (MILLIMETERS)								APPROX WEIGHT LBS (Kg) std. eff.
		A	B	C	D	E	F	G	ØH	
40 HP	324TC	25.14 (639)	15.44 (392)	7 (203)	13.74 (349)	10-1/2 (267)	6-1/4 (159)	5-1/4 (133)	21/32 (16.5)	810 (370)
50 HP	326TC	25.14 (639)	15.44 (392)	8 (203)	13.74 (349)	12 (305)	6-1/4 (159)	5-1/4 (133)	21/32 (16.5)	790 (360)
60 HP	364TC	26.97 (685)	18.38 (467)	8 (229)	14.95 (380)	11-1/4 (286)	6 (178)	5-7/8 (149)	21/32 (16.5)	990 (450)
75 HP	365TC	26.97 (685)	18.38 (467)	9 (229)	14.95 (380)	12-1/4 (311)	7 (178)	5-7/8 (149)	21/32 (16.5)	1030 (468)
100 HP	405TC	30.56 (776)	21.31 (241)	10 (254)	19.25 (489)	13-3/4 (349)	8 (203)	6-5/8 (168)	13/16 (20.6)	1520 (690)

MATERIAL SPECIFICATIONS

PART NAME	STAINLESS STEEL
Casing, Cover & Impeller	316L Stainless
Stub Shaft	316L Stainless
Adapter	304 Stainless