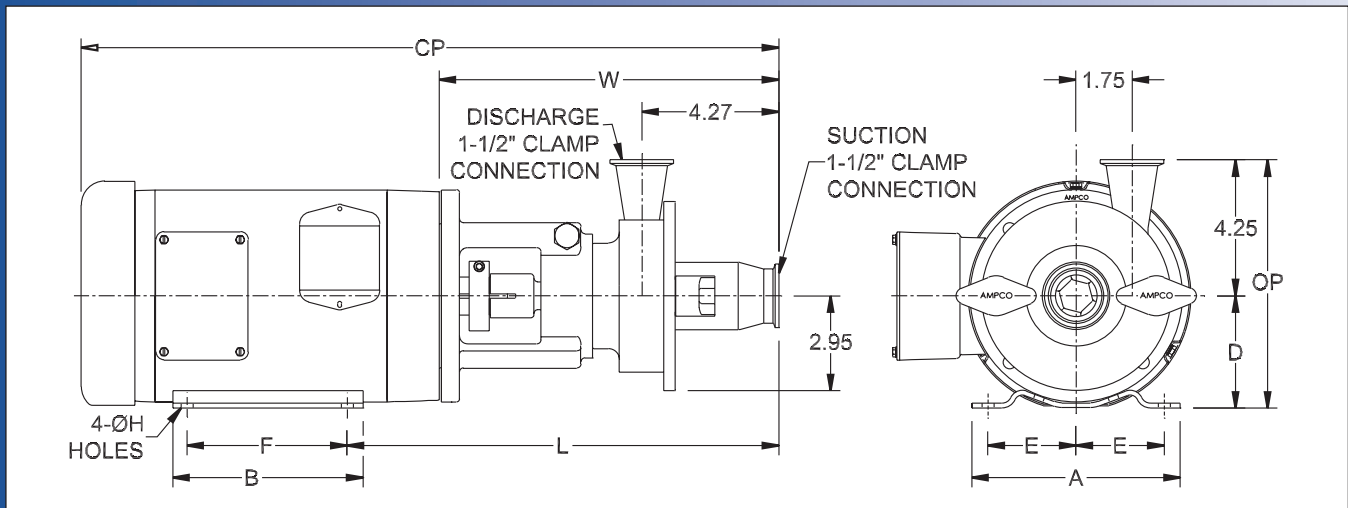
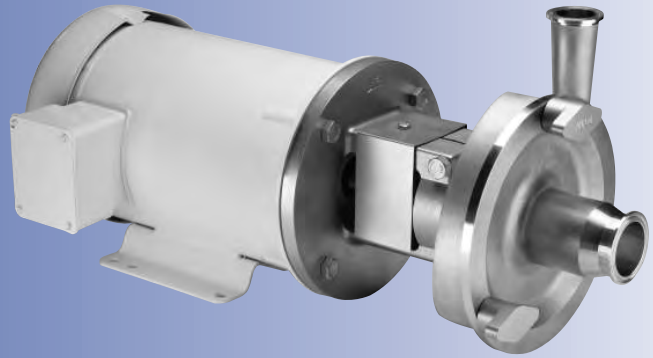


# Ampco Centrifugal Pumps

## DATA SHEET

MODEL LC-RO1 1 1/2 X 1 1/2  
MODEL LC-RO2 1 1/2 X 1 1/2



TEFC MOTOR			DIMENSIONS IN INCHES (For Reference Only)										APPROX WEIGHT (LBS)
HP	RPM	FRAME	A (typ)	B (typ)	D	E	F	ØH	L	W	CP	OP	
1	1750	143TC	6-1/2	6	3-1/2	2-3/4	4	11/32	13.24	10.49	21.55	7.75	65
1-1/2	3500	143TC	6-1/2	6	3-1/2	2-3/4	4	11/32	13.24	10.49	21.55	7.75	66
2	3500	145TC	6-1/2	6	3-1/2	2-3/4	5	11/32	13.24	10.49	21.55	7.75	73

## MATERIAL SPECIFICATIONS

PART NAME	STAINLESS STEEL
Casing, Cover & Impeller	316L Stainless
Stub Shaft	316L Stainless
Adapter	304 Stainless

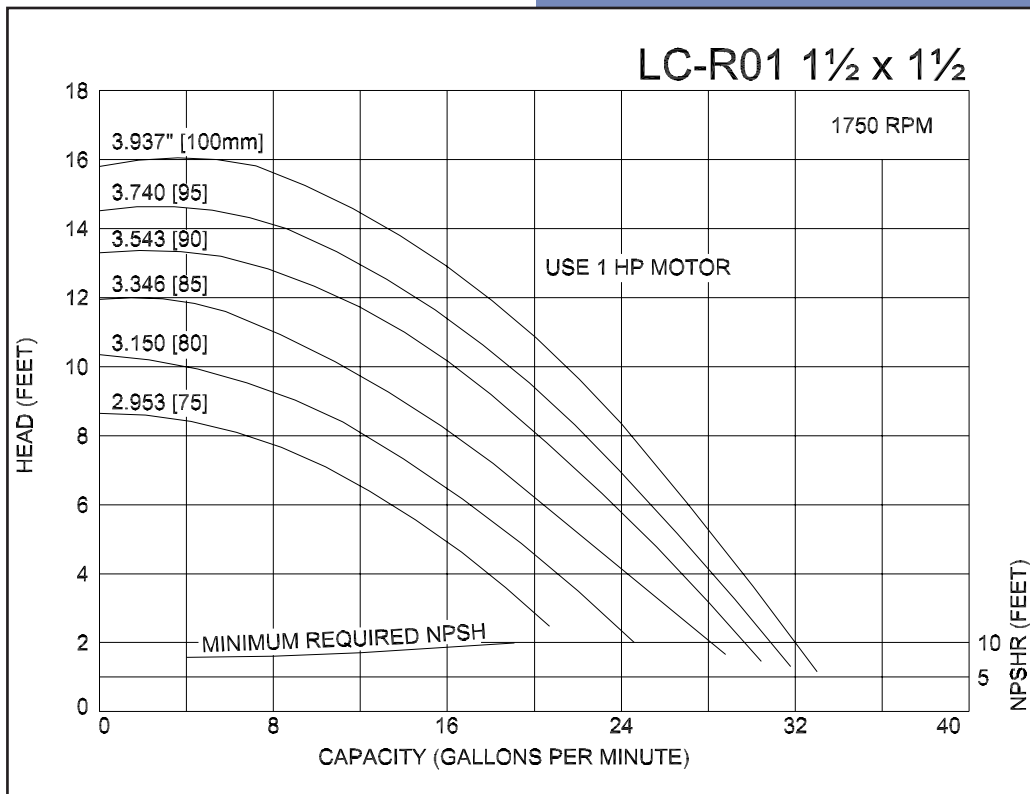
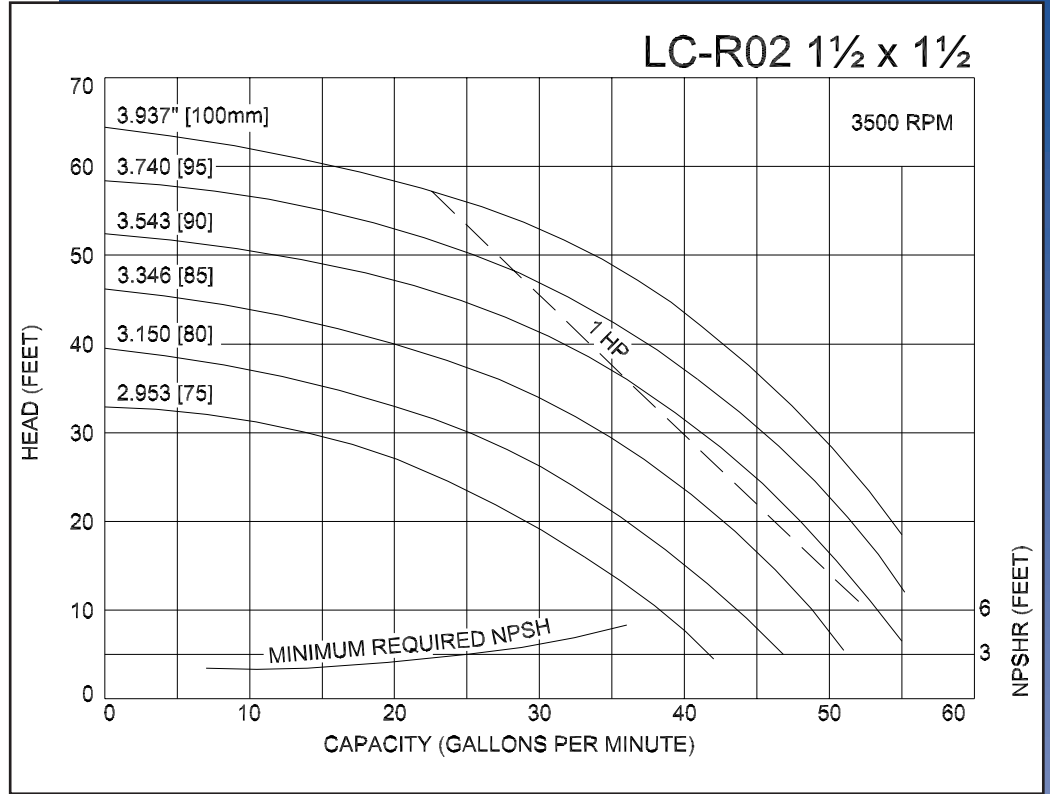


MODEL LC-R01 1 1/2 X 1 1/2  
 MODEL LC-R02 1 1/2 X 1 1/2

# Ampco Centrifugal Pumps

Curves show approximate characteristics based on clear 68° water.  
 Rated point is guaranteed.

LC-Series pumps have standard stainless steel adapters and silicon carbide vs. carbon seals.



LC pumps are in conformance with 3A sanitary standards for centrifugal and positive rotary pumps for milk and milk products, Number 02-09.

LC-Series pumps have a standard 32RA (150 grit) finish, on all product contact surfaces.

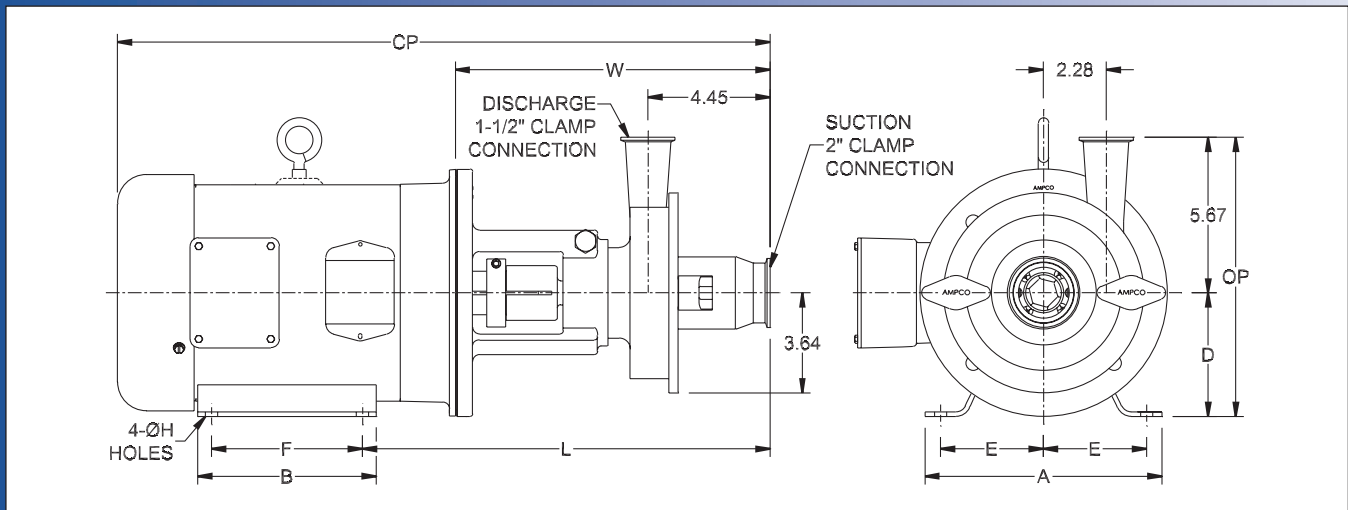
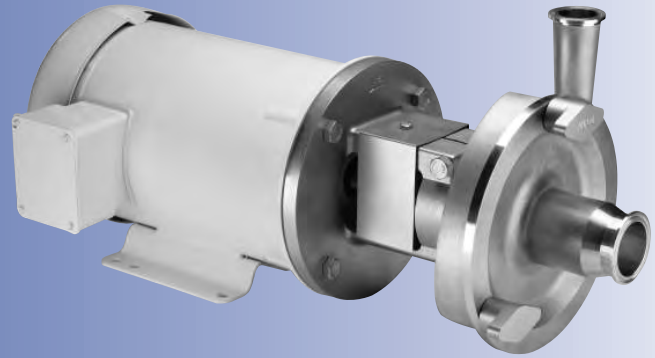
**Ampco  
Pumps  
Company**

4424 West Mitchell Street  
 Milwaukee, Wisconsin 53214  
 PHONE (414) 643-1852  
 FAX (414) 643-4452

# Ampco Centrifugal Pumps

## DATA SHEET

MODEL LC-R11 2X1 1/2  
MODEL LC-R12 2X1 1/2



TEFC MOTOR			DIMENSIONS IN INCHES (For Reference Only)										APPROX WEIGHT (LBS)
HP	RPM	FRAME	A (typ)	B (typ)	D	E	F	ØH	L	W	CP	OP	
1	1750	143TC	6-1/2	6	3-1/2	2-3/4	4	11/32	13.37	10.62	21.68	9.17	70
2	3500	145TC	6-1/2	6	3-1/2	2-3/4	5	11/32	13.37	10.62	21.68	9.17	78
3	3500	182TC	8-5/8	6-1/2	4-1/2	3-3/4	4-1/2	13/32	14.93	10.43	23.74	10.17	97
5	3500	184TC	8-5/8	6-1/2	4-1/2	3-3/4	5-1/2	13/32	14.93	10.43	25.11	10.17	111

## MATERIAL SPECIFICATIONS

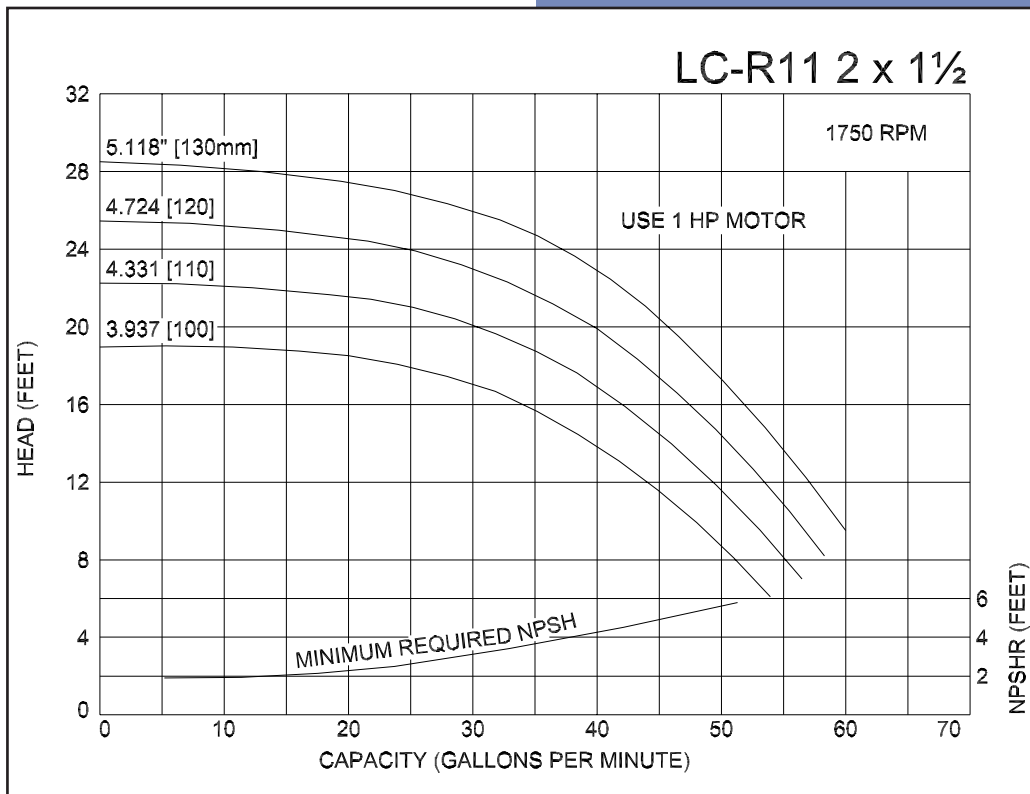
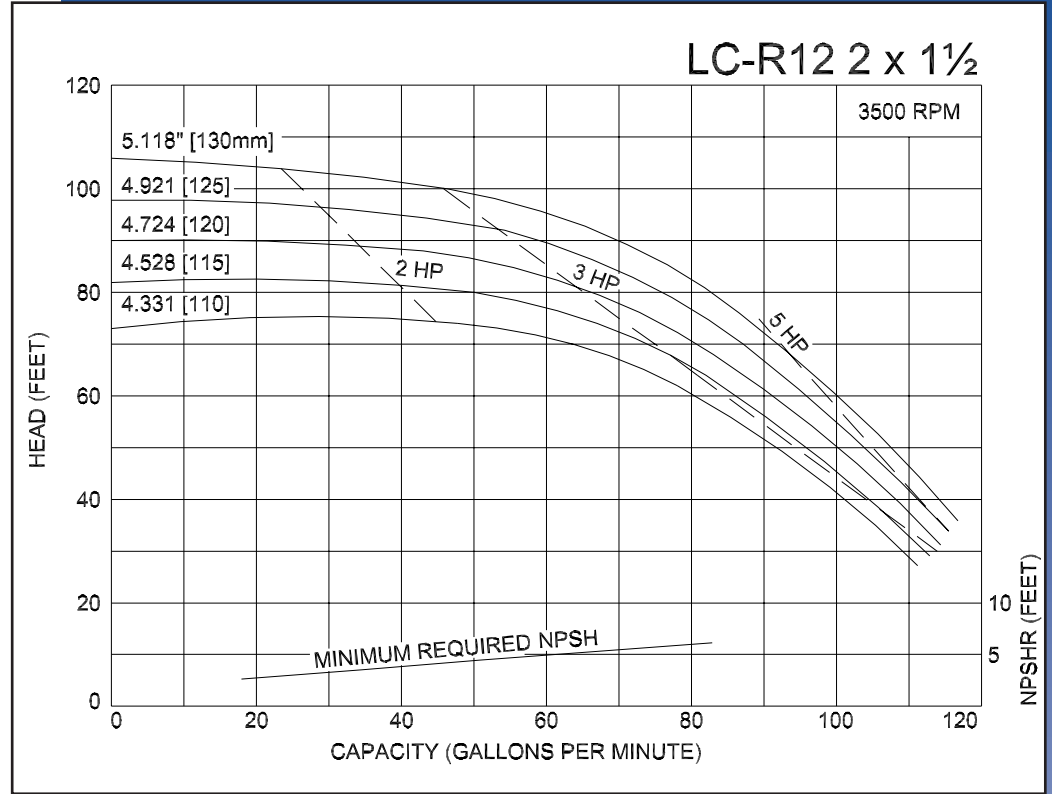
PART NAME	STAINLESS STEEL
Casing, Cover & Impeller	316L Stainless
Stub Shaft	316L Stainless
Adapter	304 Stainless

MODEL LC-R11 2X1½  
 MODEL LC-R12 2X1½

# Ampco Centrifugal Pumps

Curves show approximate characteristics based on clear 68° water.  
 Rated point is guaranteed.

LC-Series pumps have standard stainless steel adapters and silicon carbide vs. carbon seals.



LC pumps are in conformance with 3A sanitary standards for centrifugal and positive rotary pumps for milk and milk products, Number 02-09.

LC-Series pumps have a standard 32RA (150 grit) finish, on all product contact surfaces.

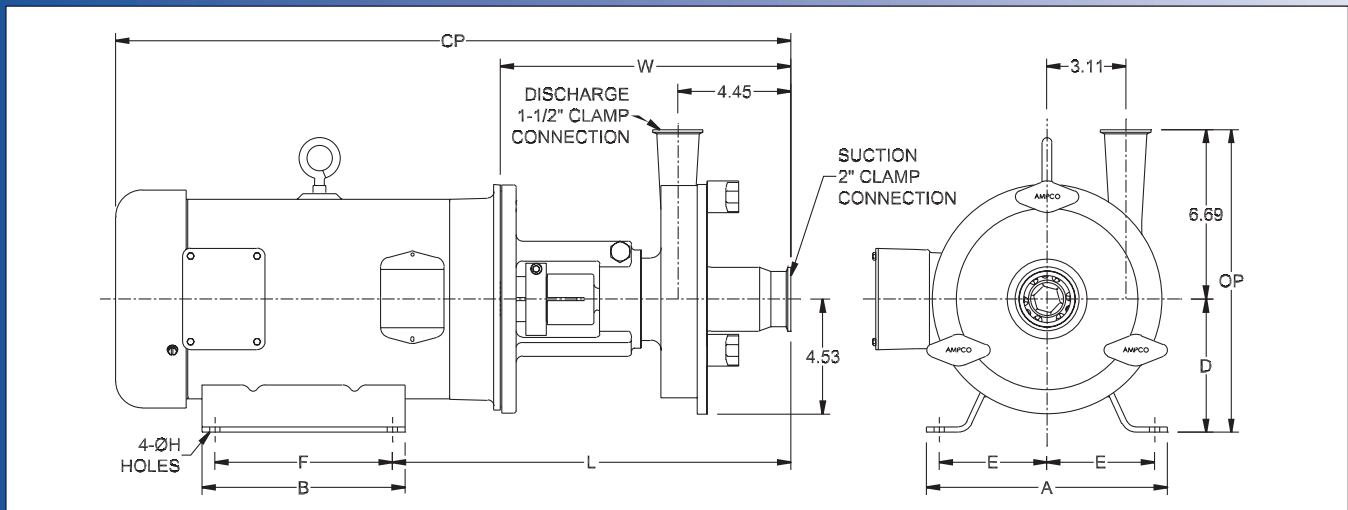
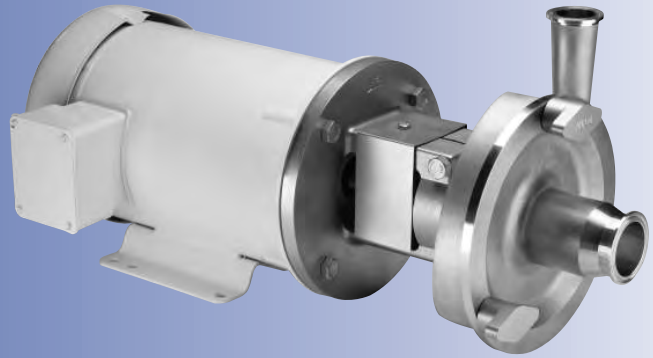
**Ampco  
 Pumps  
 Company**

4424 West Mitchell Street  
 Milwaukee, Wisconsin 53214  
 PHONE (414) 643-1852  
 FAX (414) 643-4452

# Ampco Centrifugal Pumps

## DATA SHEET

MODEL LC-R21 2X1 1/2  
MODEL LC-R22 2X1 1/2



TEFC MOTOR			DIMENSIONS IN INCHES (For Reference Only)										APPROX WEIGHT (LBS)
HP	RPM	FRAME	A (typ)	B (typ)	D	E	F	ØH	L	W	CP	OP	
1	1750	143TC	6-1/2	6	3-1/2	2-3/4	4	11/32	13.37	10.62	21.68	10.19	77
1-1/2	1750	145TC	6-1/2	6	3-1/2	2-3/4	5	11/32	13.37	10.62	21.68	10.19	83
3	3500	182TC	8-5/8	6-1/2	4-1/2	3-3/4	4-1/2	13/32	14.93	11.43	23.74	11.19	104
5	3500	184TC	8-5/8	6-1/2	4-1/2	3-3/4	5-1/2	13/32	14.93	11.43	25.11	11.19	118
7-1/2	3500	184TC	8-5/8	6-1/2	4-1/2	3-3/4	5-1/2	13/32	14.93	11.43	26.61	11.19	136
10	3500	215TC	9-1/2	8	5-1/4	4-1/4	7	13/32	15.68	11.43	26.70	11.94	170

## MATERIAL SPECIFICATIONS

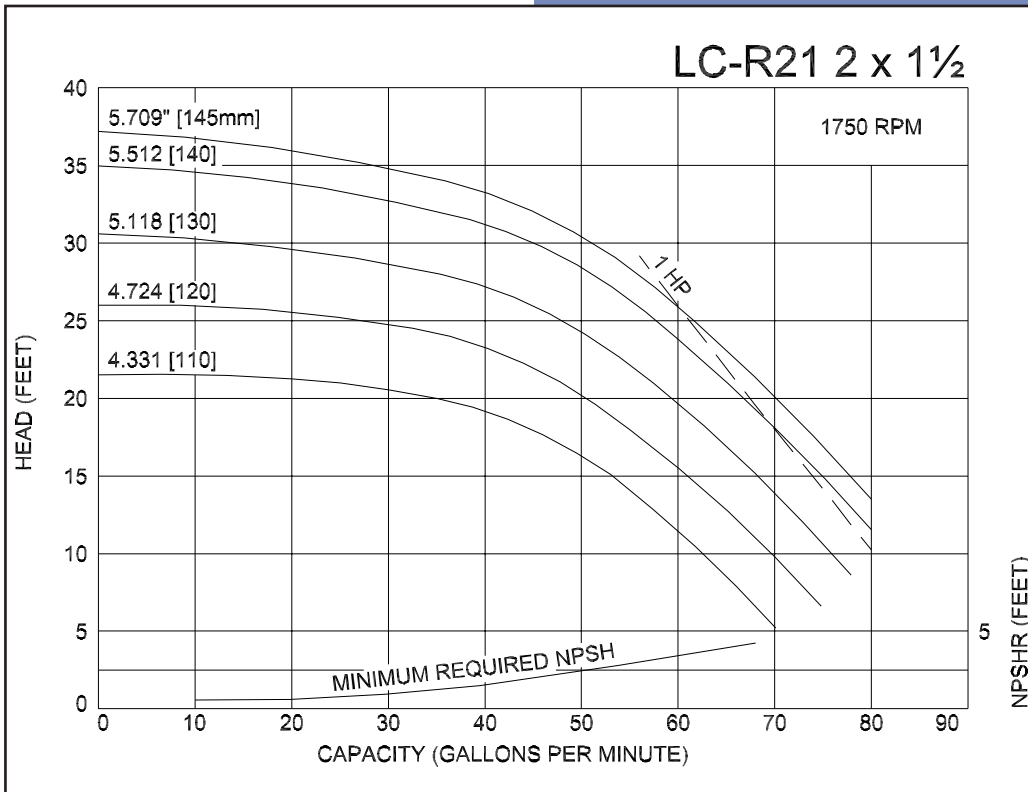
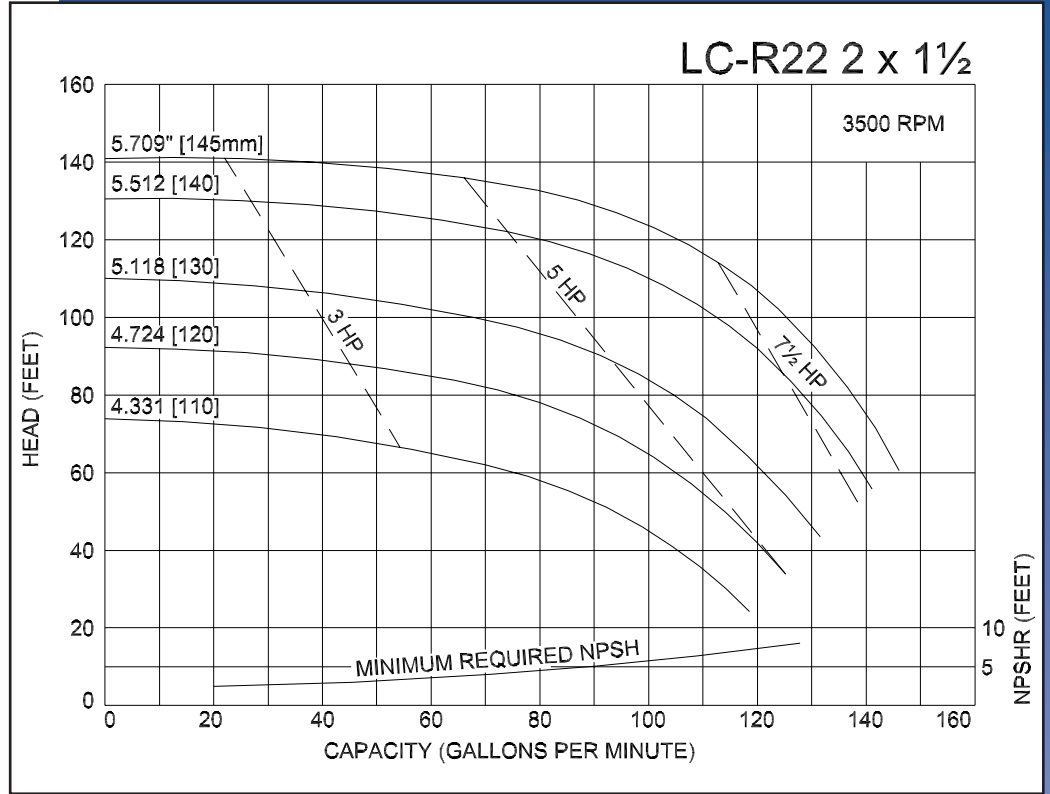
PART NAME	STAINLESS STEEL
Casing, Cover & Impeller	316L Stainless
Stub Shaft	316L Stainless
Adapter	304 Stainless

MODEL LC-R21 2X1½  
 MODEL LC-R22 2X1½

# Ampco Centrifugal Pumps

Curves show approximate characteristics based on clear 68° water. Rated point is guaranteed.

LC-Series pumps have standard stainless steel adapters and silicon carbide vs. carbon seals.



LC pumps are in conformance with 3A sanitary standards for centrifugal and positive rotary pumps for milk and milk products, Number 02-09.

LC-Series pumps have a standard 32RA (150 grit) finish, on all product contact surfaces.

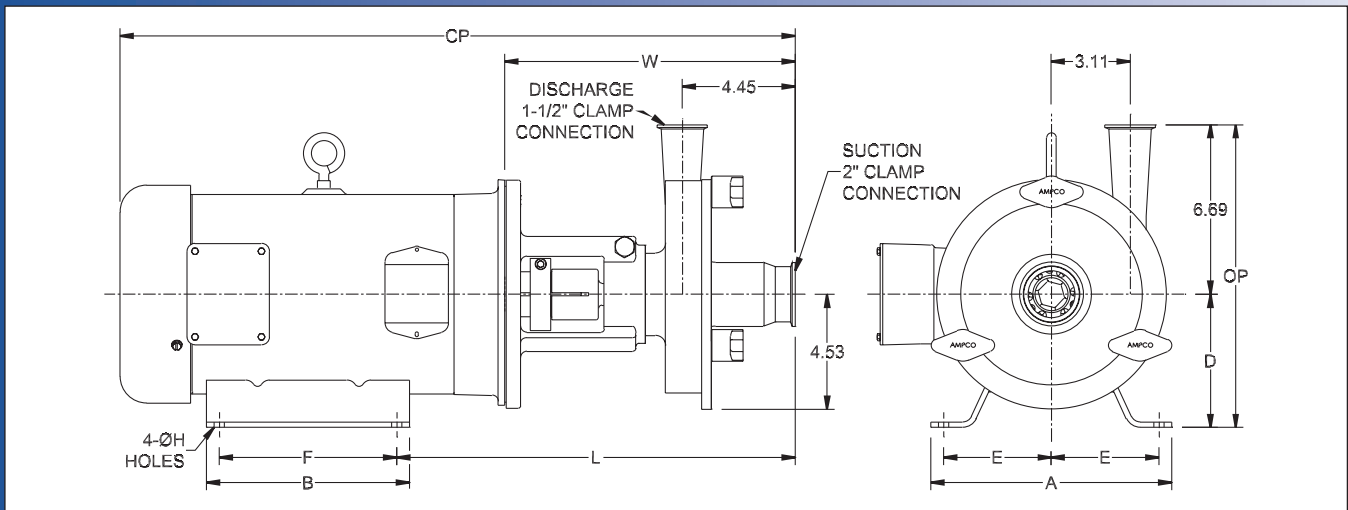
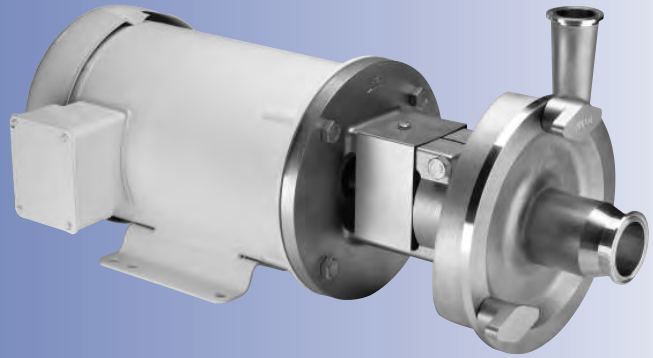
**Ampco  
Pumps  
Company**

4424 West Mitchell Street  
 Milwaukee, Wisconsin 53214  
 PHONE (414) 643-1852  
 FAX (414) 643-4452

# Ampco Centrifugal Pumps

## DATA SHEET

MODEL LC-R31 2X1 1/2



TEFC MOTOR			DIMENSIONS IN INCHES (For Reference Only)										APPROX WEIGHT (LBS)
HP	RPM	FRAME	A (typ)	B (typ)	D	E	F	ØH	L	W	CP	OP	
1	1750	143TC	6-1/2	6	3-1/2	2-3/4	4	11/32	13.37	10.62	21.68	10.19	77
1-1/2	1750	145TC	6-1/2	6	3-1/2	2-3/4	5	11/32	13.37	10.62	21.68	10.19	83
2	1750	145TC	6-1/2	6	3-1/2	2-3/4	5	11/32	13.37	10.62	21.68	10.19	86
3	1750	182TC	8-5/8	6-1/2	4-1/2	3-3/4	4-1/2	13/32	14.93	11.43	25.11	11.19	116

## MATERIAL SPECIFICATIONS

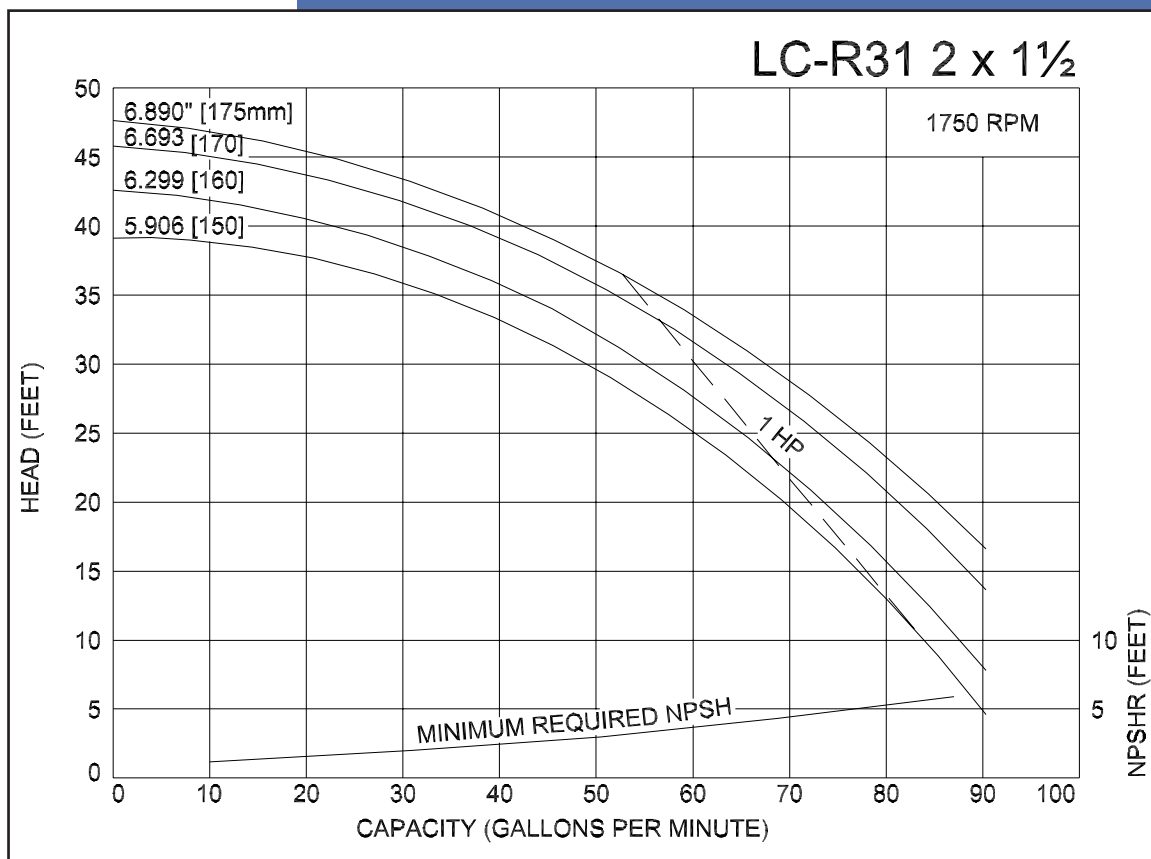
PART NAME	STAINLESS STEEL
Casing, Cover & Impeller	316L Stainless
Stub Shaft	316L Stainless
Adapter	304 Stainless

# Ampco Centrifugal Pumps

MODEL LC-R31 2X 1½

Curves show approximate characteristics based on clear 68° water.  
Rated point is guaranteed.

LC-Series pumps have standard stainless steel adapters and silicon carbide vs. carbon seals.



LC pumps are in conformance with 3A sanitary standards for centrifugal and positive rotary pumps for milk and milk products, Number 02-09.

LC-Series pumps have a standard 32RA (150 grit) finish, on all product contact surfaces.

## Ampco Pumps Company

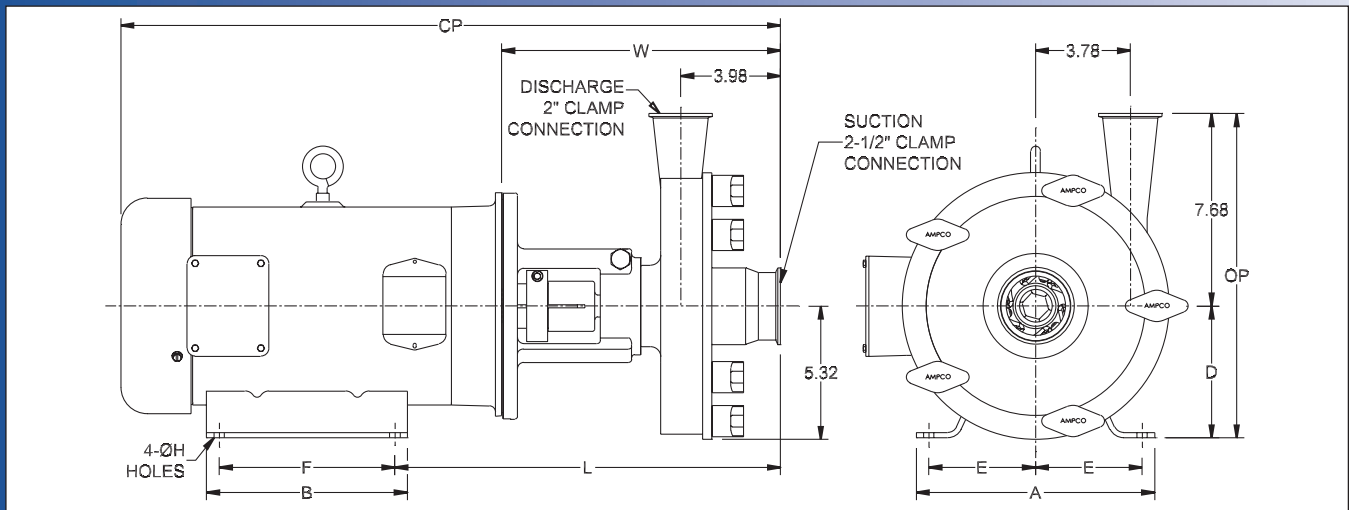
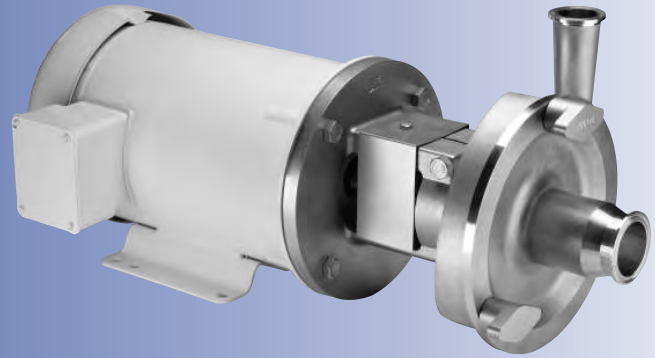
4424 West Mitchell Street - Milwaukee, Wisconsin 53214 - PHONE (414) 643-1852 - FAX (414) 643-4452



# Ampco Centrifugal Pumps

## DATA SHEET

MODEL LC-R32 2 1/2 X 2



TEFC MOTOR			DIMENSIONS IN INCHES (For Reference Only)										APPROX WEIGHT (LBS)
HP	RPM	FRAME	A (typ)	B (typ)	D	E	F	ØH	L	W	CP	OP	
3	3500	182TC	8-5/8	6-1/2	4-1/2	3-3/4	4-1/2	13/32	14.58	11.08	23.39	12.18	118
5	3500	184TC	8-5/8	6-1/2	4-1/2	3-3/4	5-1/2	13/32	14.58	11.08	24.76	12.18	132
7-1/2	3500	184TC	8-5/8	6-1/2	4-1/2	3-3/4	5-1/2	13/32	14.58	11.08	26.26	12.18	150
10	3500	215TC	9-1/2	8	5-1/4	4-1/4	7	13/32	15.33	11.08	26.35	12.93	184
15	3500	215TC	9-1/2	8	5-1/4	4-1/4	7	13/32	15.33	11.08	28.23	12.93	224

## MATERIAL SPECIFICATIONS

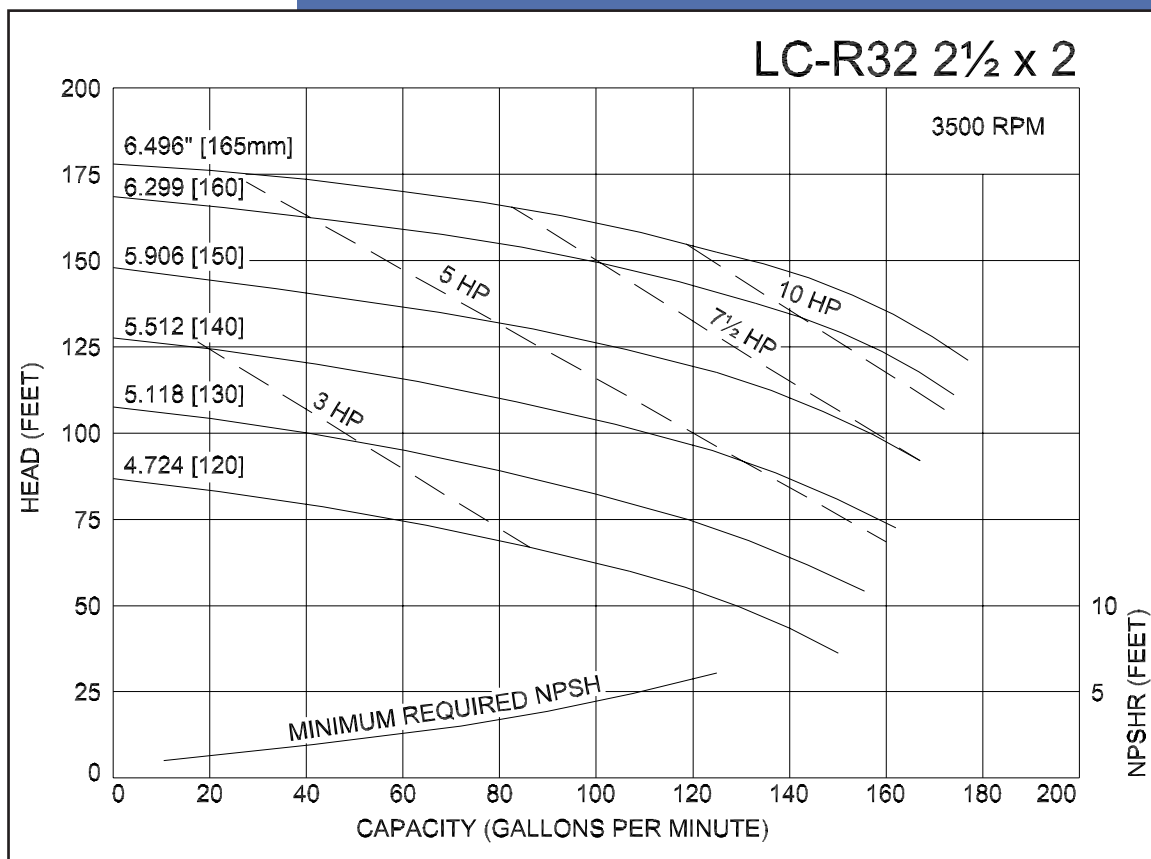
PART NAME	STAINLESS STEEL
Casing, Cover & Impeller	316L Stainless
Stub Shaft	316L Stainless
Adapter	304 Stainless

# Ampco Centrifugal Pumps

MODEL LC-R32 2½X2

Curves show approximate characteristics based on clear 68° water.  
Rated point is guaranteed.

LC-Series pumps have standard stainless steel adapters and silicon carbide vs. carbon seals.



LC pumps are in conformance with 3A sanitary standards for centrifugal and positive rotary pumps for milk and milk products, Number 02-09.

LC-Series pumps have a standard 32RA (150 grit) finish, on all product contact surfaces.

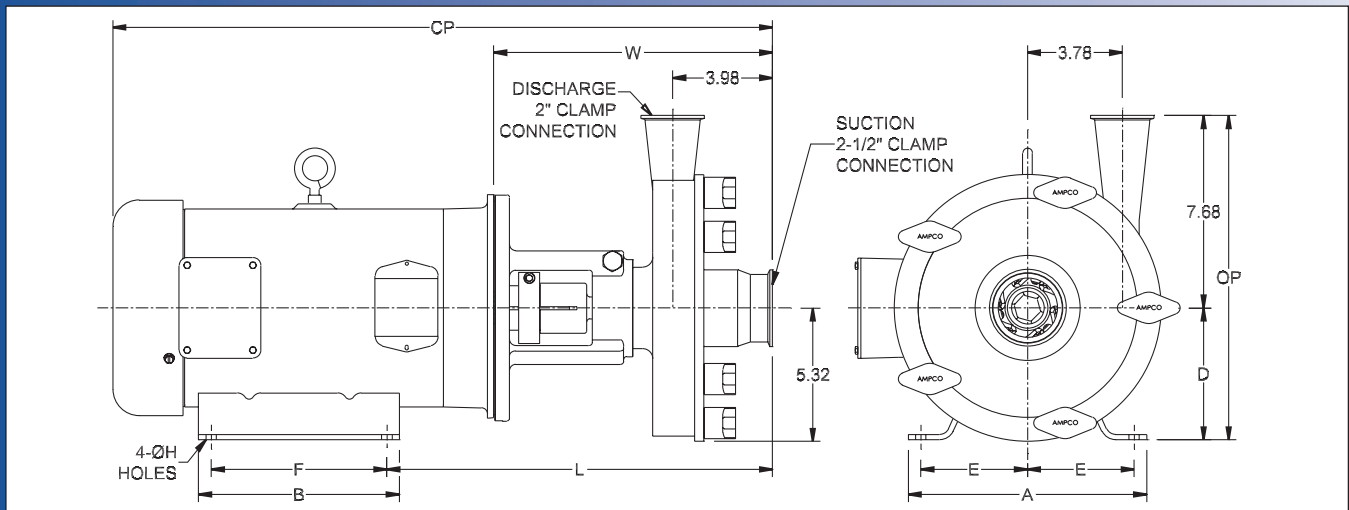
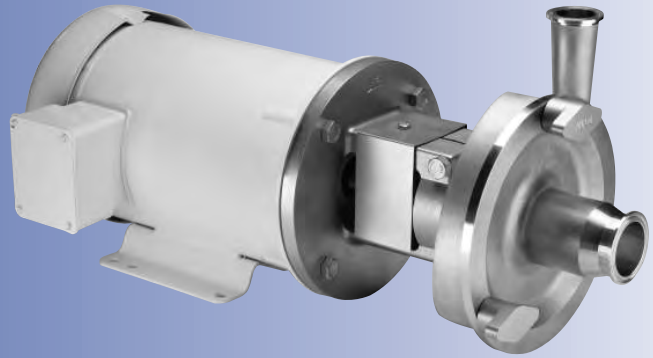
## Ampco Pumps Company

4424 West Mitchell Street - Milwaukee, Wisconsin 53214 - PHONE (414) 643-1852 - FAX (414) 643-4452

# Ampco Centrifugal Pumps

## DATA SHEET

MODEL LC-R41 2 1/2 X 2  
MODEL LC-R42 2 1/2 X 2



TEFC MOTOR			DIMENSIONS IN INCHES (For Reference Only)										APPROX WEIGHT (LBS)
HP	RPM	FRAME	A (typ)	B (typ)	D	E	F	ØH	L	W	CP	OP	
1	1750	143TC	6-1/2	6	3-1/2	2-3/4	4	11/32	13.02	10.27	21.33	11.18	91
1-1/2	1750	145TC	6-1/2	6	3-1/2	2-3/4	5	11/32	13.02	10.27	21.33	11.18	97
2	1750	145TC	6-1/2	6	3-1/2	2-3/4	5	11/32	13.02	10.27	21.33	11.18	100
3	1750	182TC	8-5/8	6-1/2	4-1/2	3-3/4	4-1/2	13/32	14.58	11.08	24.77	12.18	130
7-1/2	3500	184TC	8-5/8	6-1/2	4-1/2	3-3/4	5-1/2	13/32	14.58	11.08	26.26	12.18	150
10	3500	215TC	9-1/2	8	5-1/4	4-1/4	7	13/32	15.33	11.08	26.26	12.93	184
15	3500	215TC	9-1/2	8	5-1/4	4-1/4	7	13/32	15.33	11.08	26.35	12.93	224
20	3500	256TC	11-1/2	11-1/2	6-1/4	5	10	17/32	16.95	12.20	31.54	13.93	329
25	3500	284TSC	12-3/4	12-3/4	7	5-1/2	9-1/2	17/32	18.27	13.52	36.65	14.68	447

## MATERIAL SPECIFICATIONS

PART NAME	STAINLESS STEEL
Casing, Cover & Impeller	316L Stainless
Stub Shaft	316L Stainless
Adapter	304 Stainless

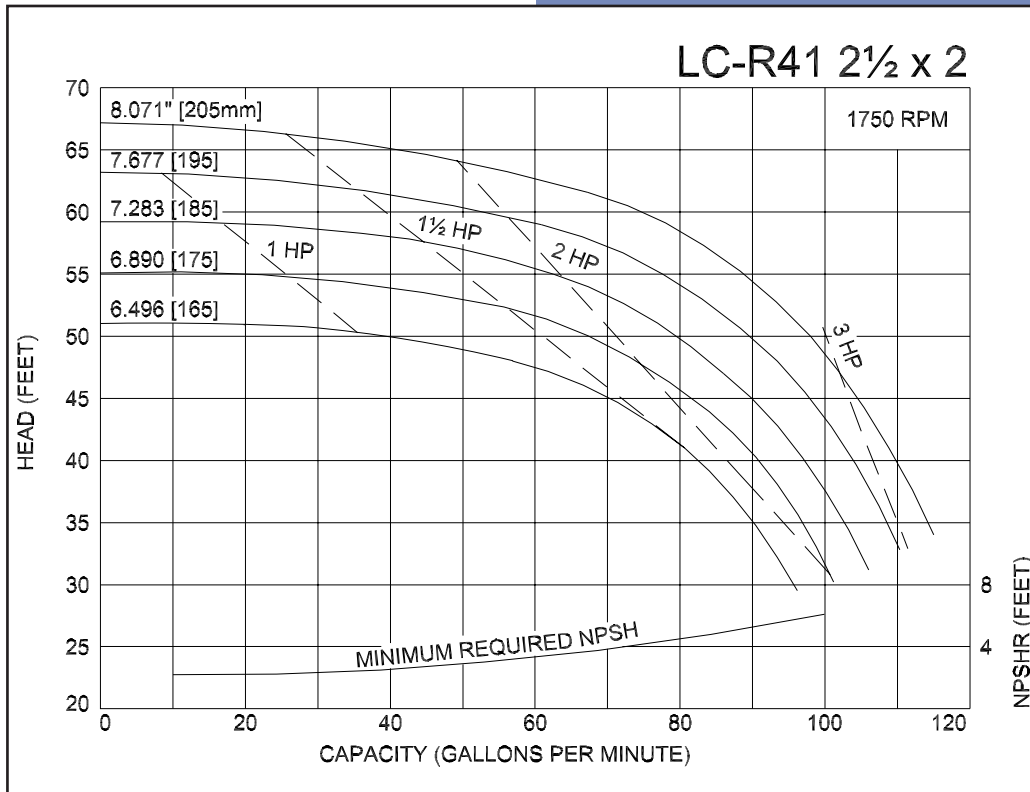
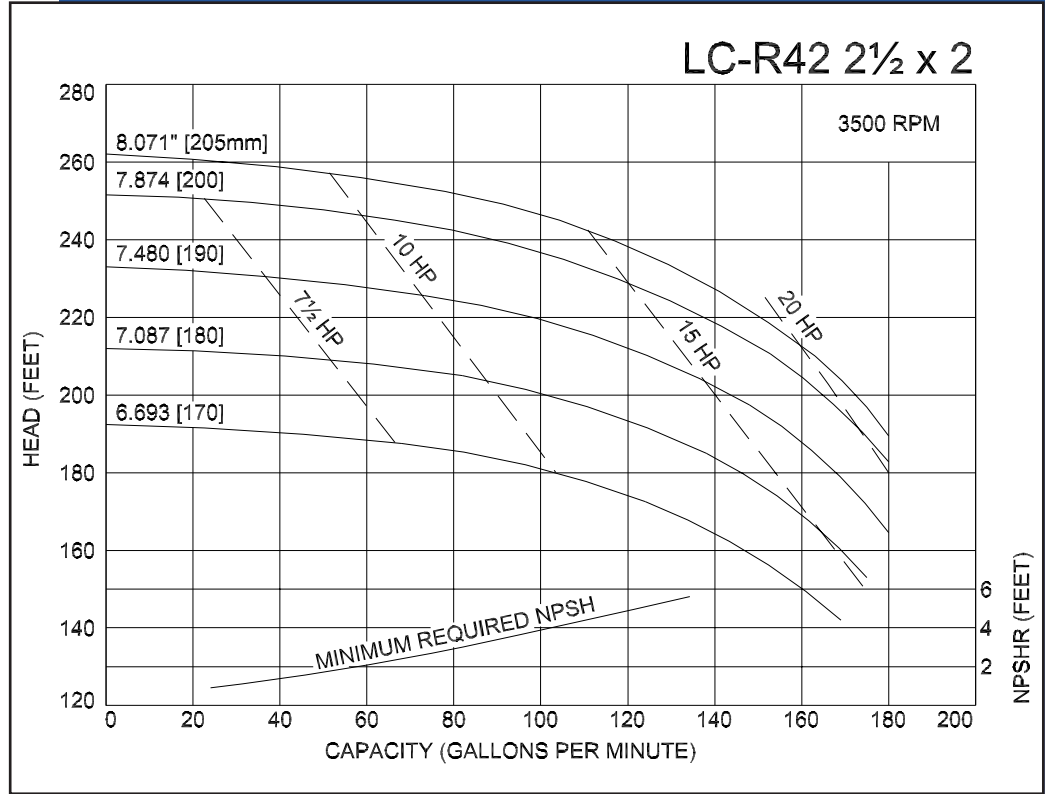


MODEL LC-R41 2½ X2  
 MODEL LC-R42 2½ X2

# Ampco Centrifugal Pumps

Curves show approximate characteristics based on clear 68° water. Rated point is guaranteed.

LC-Series pumps have standard stainless steel adapters and silicon carbide vs. carbon seals.



LC pumps are in conformance with 3A sanitary standards for centrifugal and positive rotary pumps for milk and milk products, Number 02-09.

LC-Series pumps have a standard 32RA (150 grit) finish, on all product contact surfaces.

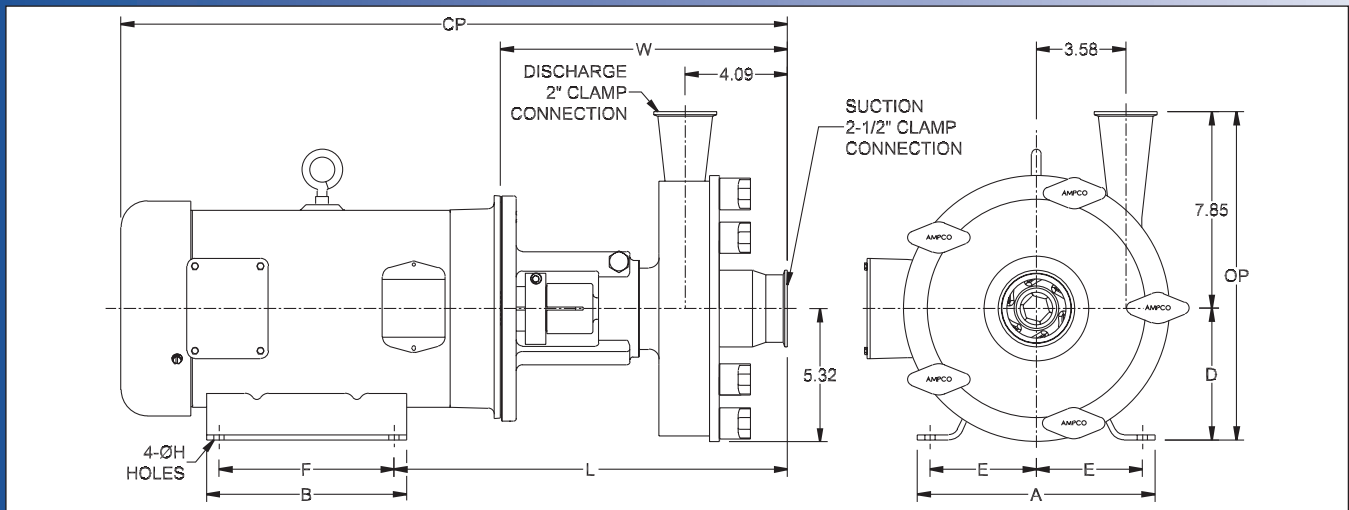
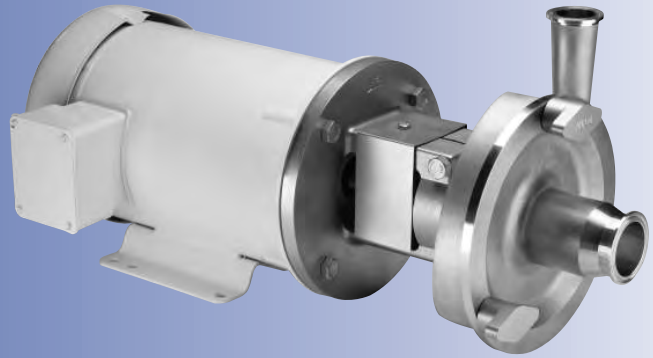
## Ampco Pumps Company

4424 West Mitchell Street  
 Milwaukee, Wisconsin 53214  
 PHONE (414) 643-1852  
 FAX (414) 643-4452

# Ampco Centrifugal Pumps

## DATA SHEET

MODEL LC-R132 2 1/2 X 2



TEFC MOTOR			DIMENSIONS IN INCHES (For Reference Only)										APPROX WEIGHT (LBS)
HP	RPM	FRAME	A (typ)	B (typ)	D	E	F	ØH	L	W	CP	OP	
7-1/2	3500	184TC	8-5/8	6-1/2	4-1/2	3-3/4	5-1/2	13/32	14.96	11.46	26.64	12.37	160
10	3500	215TC	9-1/2	8	5-1/4	4-1/4	7	13/32	15.71	11.46	26.73	13.12	190
15	3500	215TC	9-1/2	8	5-1/4	4-1/4	7	13/32	15.71	11.46	28.61	13.12	232
20	3500	256TC	11-1/2	11-1/2	6-1/4	5	10	17/32	17.33	12.58	31.92	14.12	335
25	3500	284TSC	12-3/4	12-3/4	7	5-1/2	9-1/2	17/32	18.64	13.89	37.02	14.87	453
30	3500	286TSC	12-3/4	12-3/4	7	5-1/2	11	17/32	18.64	13.89	37.02	14.87	475

## MATERIAL SPECIFICATIONS

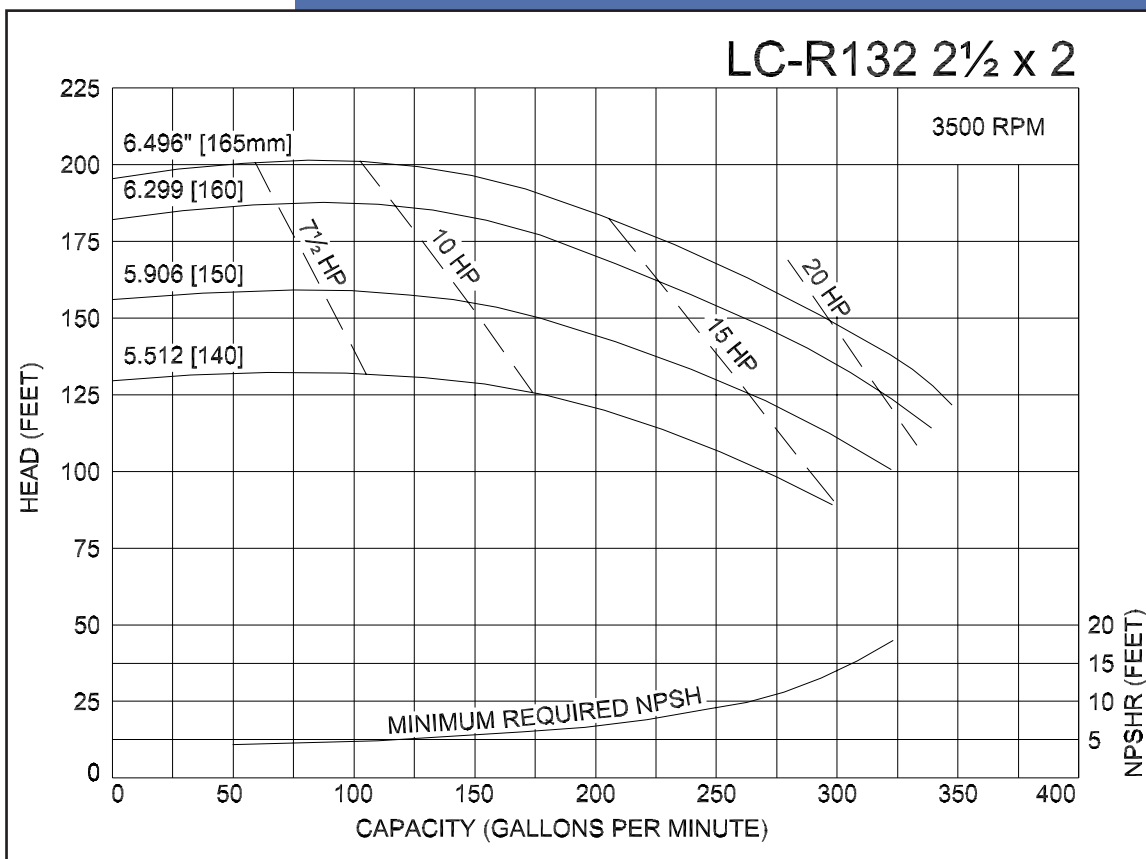
PART NAME	STAINLESS STEEL
Casing, Cover & Impeller	316L Stainless
Stub Shaft	316L Stainless
Adapter	304 Stainless

# Ampco Centrifugal Pumps

MODEL LC-R132 2½ X2

Curves show approximate characteristics based on clear 68° water.  
Rated point is guaranteed.

LC-Series pumps have standard stainless steel adapters and silicon carbide vs. carbon seals.



LC pumps are in conformance with 3A sanitary standards for centrifugal and positive rotary pumps for milk and milk products, Number 02-09.

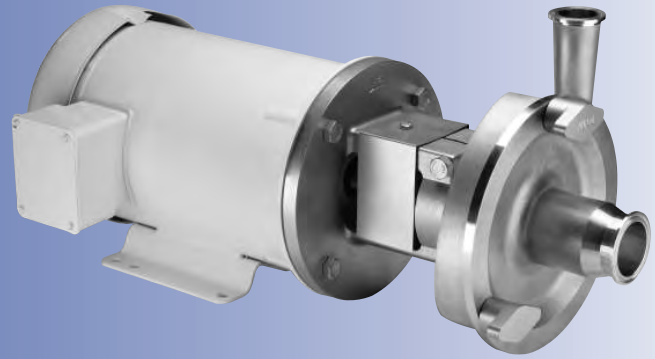
LC-Series pumps have a standard 32RA (150 grit) finish, on all product contact surfaces.

## Ampco Pumps Company

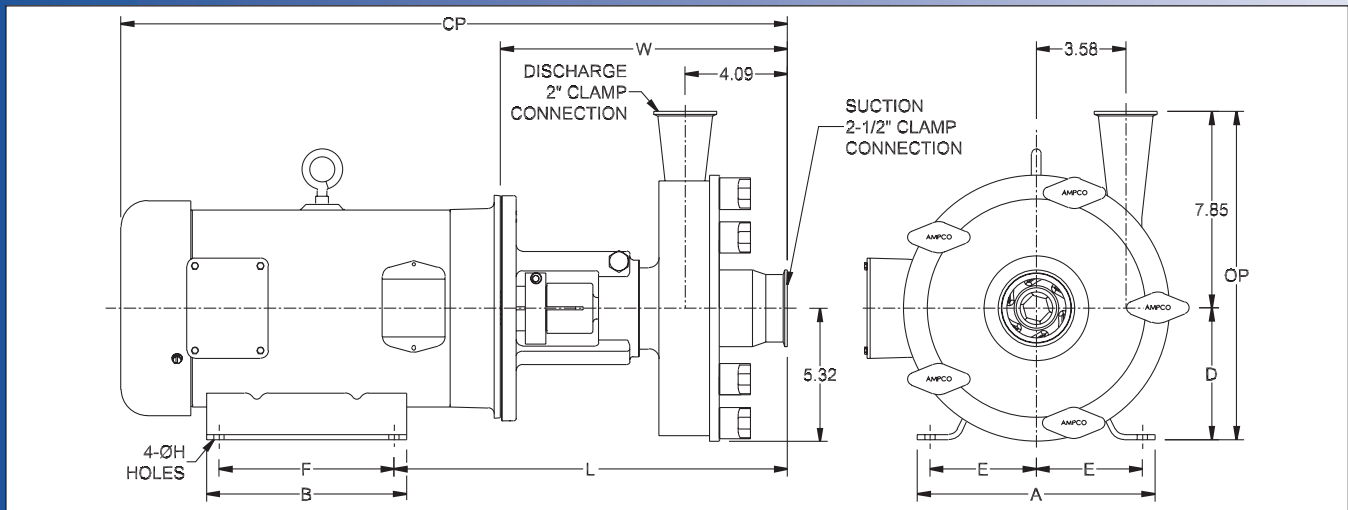
4424 West Mitchell Street - Milwaukee, Wisconsin 53214 - PHONE (414) 643-1852 - FAX (414) 643-4452

# Ampco Centrifugal Pumps

## DATA SHEET



MODEL LC-R141 2 1/2 X2  
MODEL LC-R142 2 1/2 X2



TEFC MOTOR			DIMENSIONS IN INCHES (For Reference Only)										APPROX WEIGHT (LBS)
HP	RPM	FRAME	A (typ)	B (typ)	D	E	F	ØH	L	W	CP	OP	
1	1750	143TC	6-1/2	6	3-1/2	2-3/4	4	11/32	13.40	10.65	21.71	11.37	101
1-1/2	1750	145TC	6-1/2	6	3-1/2	2-3/4	5	11/32	13.40	10.65	21.71	11.37	107
2	1750	145TC	6-1/2	6	3-1/2	2-3/4	5	11/32	13.40	10.65	21.71	11.37	110
3	1750	182TC	8-5/8	6-1/2	4-1/2	3-3/4	4-1/2	13/32	14.96	11.46	25.15	12.37	137
5	1750	184TC	8-5/8	6-1/2	4-1/2	3-3/4	5-1/2	13/32	14.96	11.46	25.77	12.37	144
7-1/2	1750	213TC	9-1/2	8	5-1/4	4-1/4	5-1/2	13/32	15.71	11.46	26.64	13.12	161
10	3500	215TC	9-1/2	8	5-1/4	4-1/4	7	13/32	15.71	11.46	26.73	13.12	191
15	3500	215TC	9-1/2	8	5-1/4	4-1/4	7	13/32	15.71	11.46	26.73	13.12	233
20	3500	256TC	11-1/2	11-1/2	6-1/4	5	10	17/32	17.33	12.58	28.61	14.12	336
25	3500	284TSC	12-3/4	12-3/4	7	5-1/2	9-1/2	17/32	18.64	13.89	31.92	14.87	454
30	3500	286TSC	12-3/4	12-3/4	7	5-1/2	11	17/32	18.64	13.89	37.02	14.87	476
40	3500	324TSC	14-1/2	14	8	6-1/4	10-1/2	21/32	19.77	14.52	39.52	15.87	590
50	3500	326TSC	14-1/2	14	8	6-1/4	12	21/32	19.77	14.52	39.52	15.87	699

## MATERIAL SPECIFICATIONS

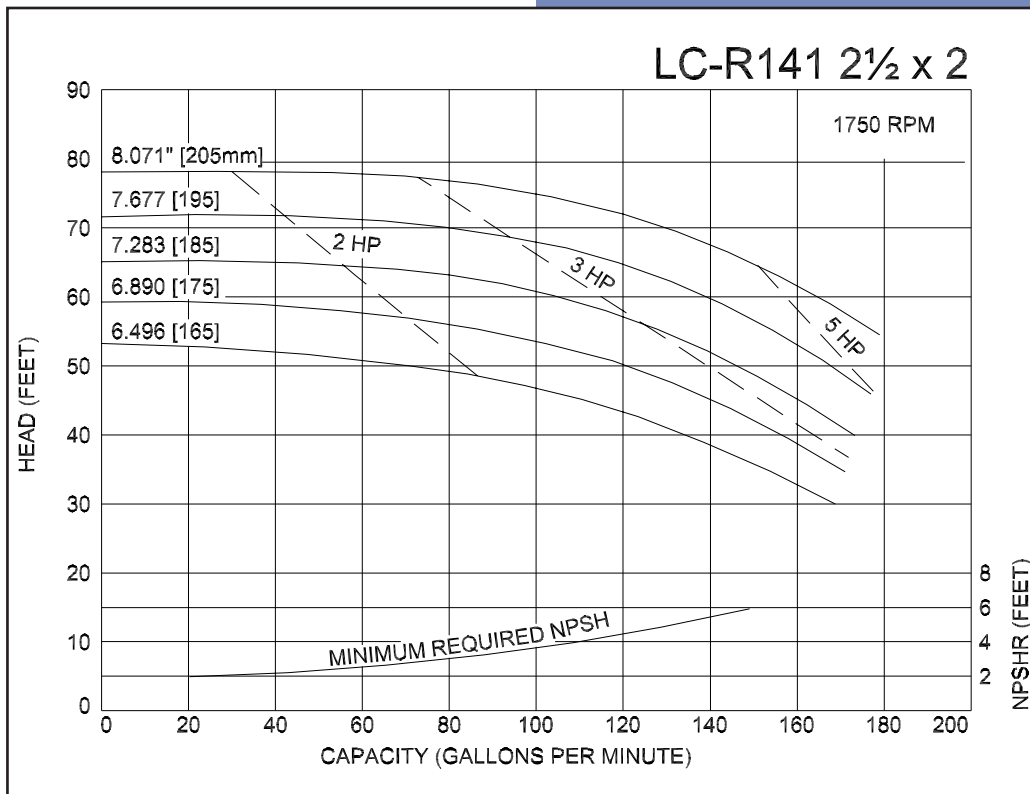
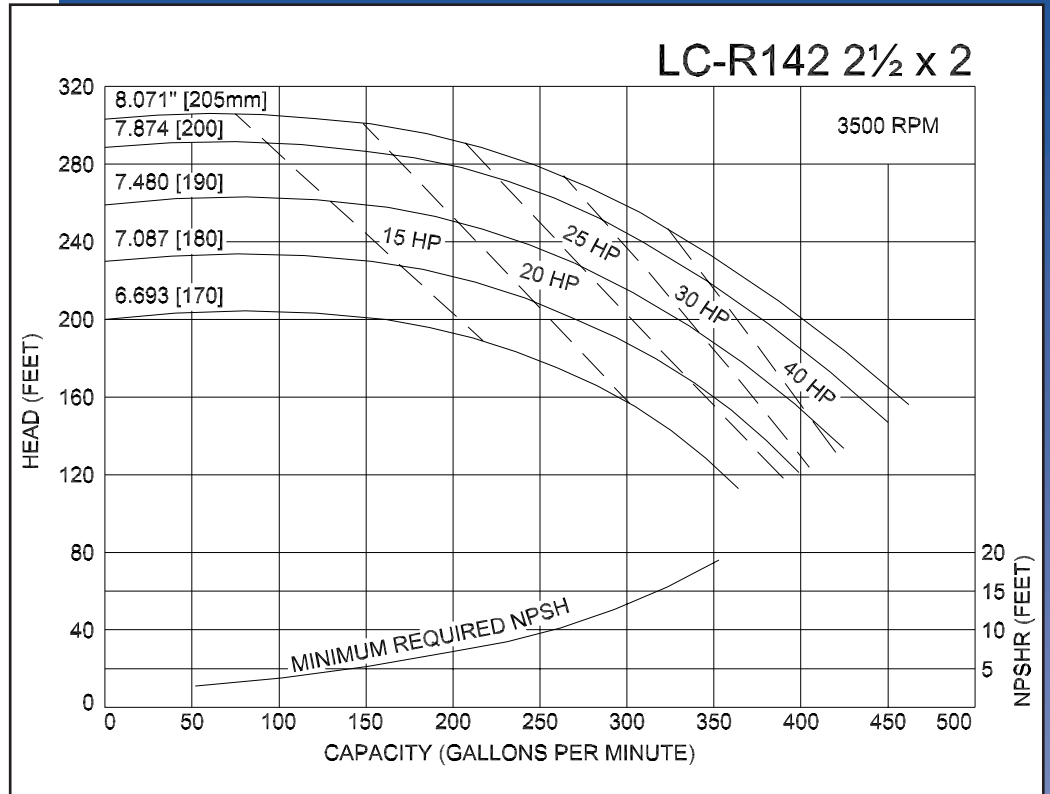
PART NAME	STAINLESS STEEL
Casing, Cover & Impeller	316L Stainless
Stub Shaft	316L Stainless
Adapter	304 Stainless

# Ampco Centrifugal Pumps

MODEL LC-R141 2½ X2  
 MODEL LC-R142 2½ X2

Curves show approximate characteristics based on clear 68° water. Rated point is guaranteed.

LC-Series pumps have standard stainless steel adapters and silicon carbide vs. carbon seals.



LC pumps are in conformance with 3A sanitary standards for centrifugal and positive rotary pumps for milk and milk products, Number 02-09.

LC-Series pumps have a standard 32RA (150 grit) finish, on all product contact surfaces.

**Ampco  
 Pumps  
 Company**

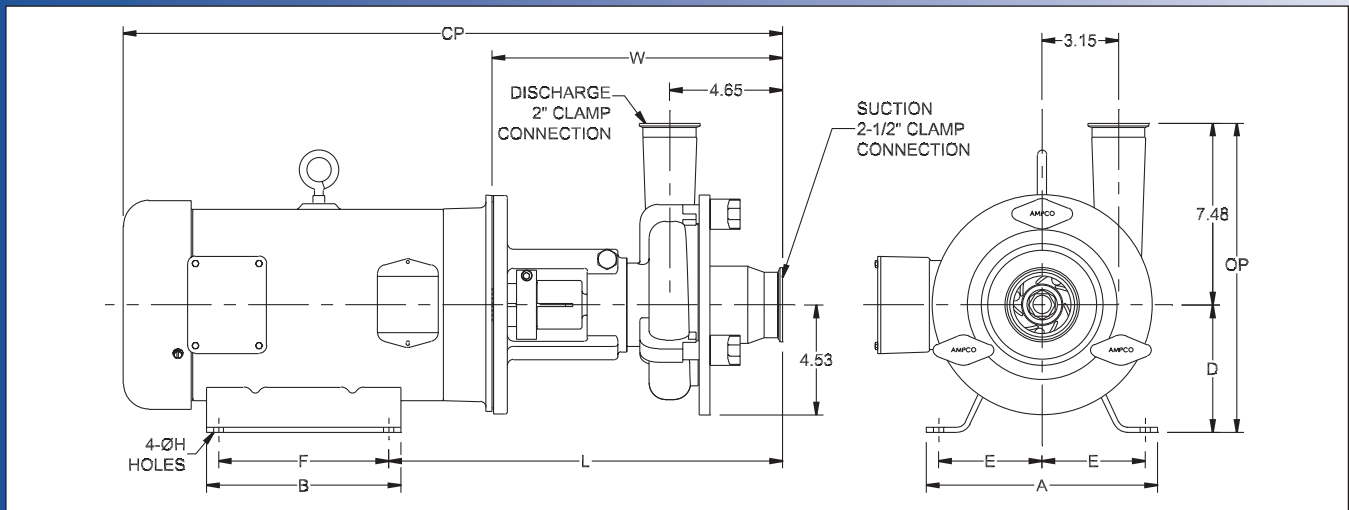
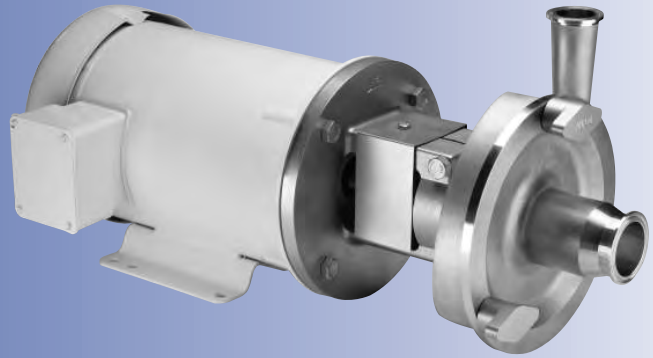
4424 West Mitchell Street  
 Milwaukee, Wisconsin 53214  
 PHONE (414) 643-1852  
 FAX (414) 643-4452



# Ampco Centrifugal Pumps

## DATA SHEET

MODEL LC-V521 2 1/2 X 2  
MODEL LC-V522 2 1/2 X 2



TEFC MOTOR			DIMENSIONS IN INCHES (For Reference Only)										APPROX WEIGHT (LBS)
HP	RPM	FRAME	A (typ)	B (typ)	D	E	F	ØH	L	W	CP	OP	
1	1750	143TC	6-1/2	6	3-1/2	2-3/4	4	11/32	13.85	11.10	22.16	10.98	83
1-1/2	1750	145TC	6-1/2	6	3-1/2	2-3/4	5	11/32	13.85	11.10	22.16	10.98	89
2	1750	145TC	6-1/2	6	3-1/2	2-3/4	5	11/32	13.85	11.10	22.16	10.98	92
5	3500	184TC	8-5/8	6-1/2	4-1/2	3-3/4	5-1/2	13/32	15.41	11.91	25.59	11.98	124
7-1/2	3500	184TC	8-5/8	6-1/2	4-1/2	3-3/4	5-1/2	13/32	15.41	11.91	27.09	11.98	142
10	3500	215TC	9-1/2	8	5-1/4	4-1/4	7	13/32	16.16	11.91	27.18	12.73	176
15	3500	215TC	9-1/2	8	5-1/4	4-1/4	7	13/32	16.16	11.91	29.06	12.73	216

## MATERIAL SPECIFICATIONS

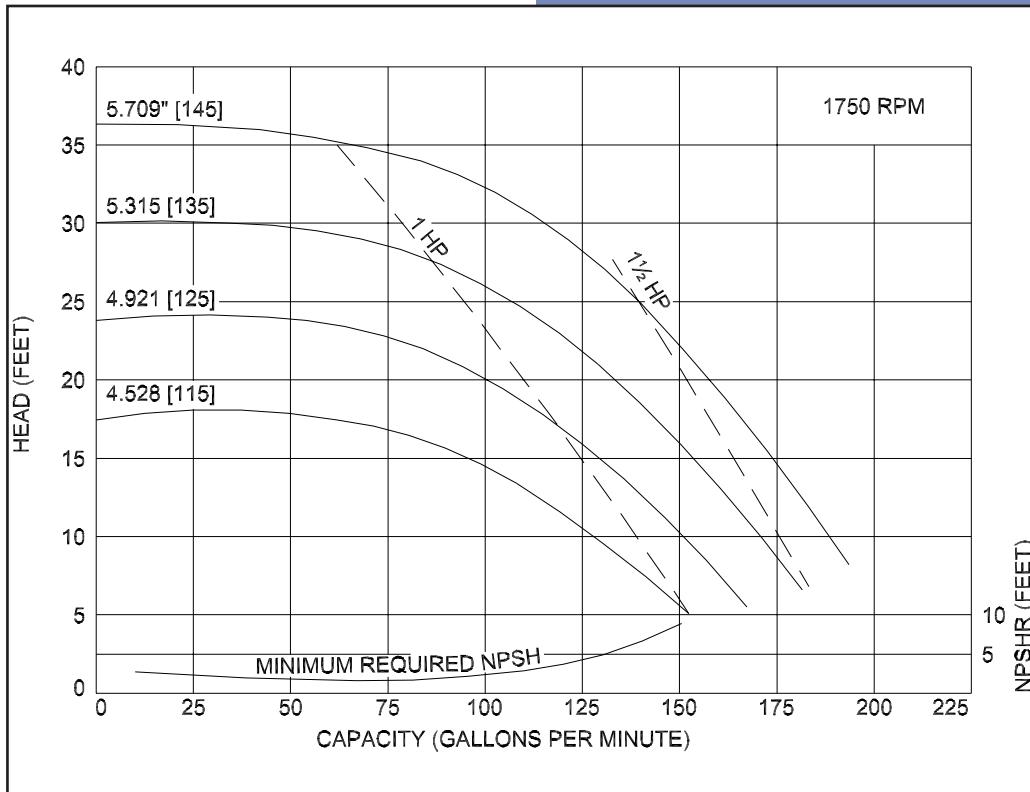
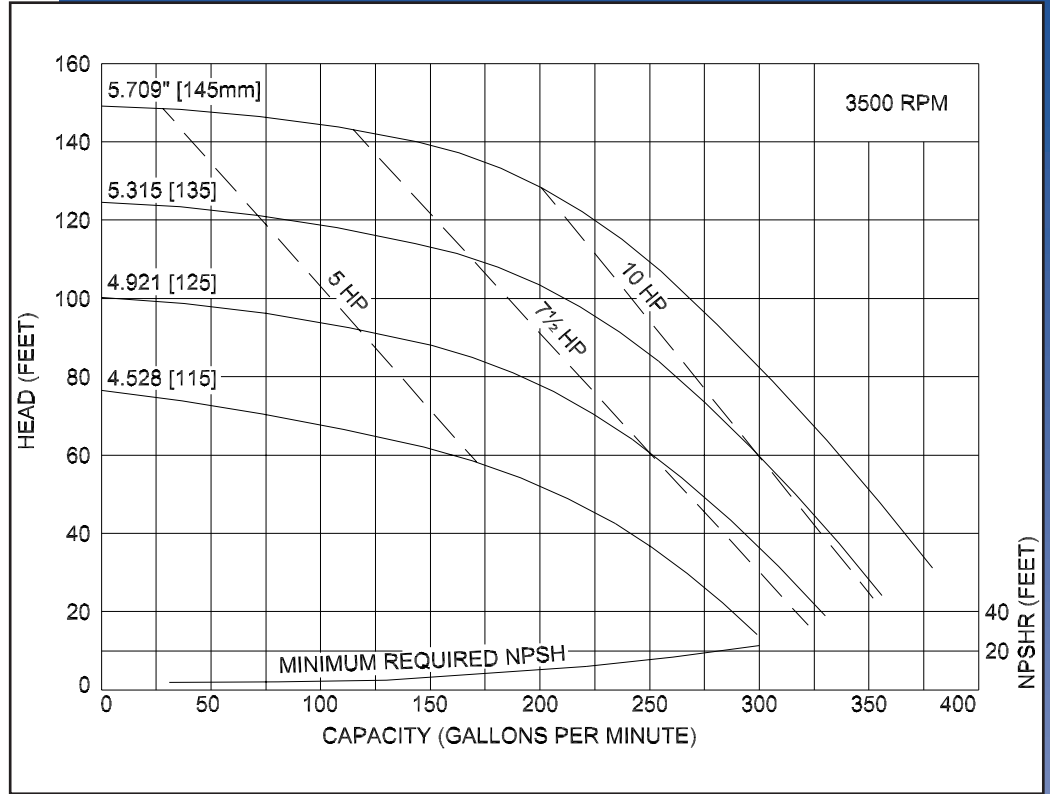
PART NAME	STAINLESS STEEL
Casing, Cover & Impeller	316L Stainless
Stub Shaft	316L Stainless
Adapter	304 Stainless

# Ampco Centrifugal Pumps

MODEL LC-V521 2½X2  
 MODEL LC-V522 2½X2

Curves show approximate characteristics based on clear 68° water.  
 Rated point is guaranteed.

LC-Series pumps have standard stainless steel adapters and silicon carbide vs. carbon seals.



LC pumps are in conformance with 3A sanitary standards for centrifugal and positive rotary pumps for milk and milk products, Number 02-09.

LC-Series pumps have a standard 32RA (150 grit) finish, on all product contact surfaces.

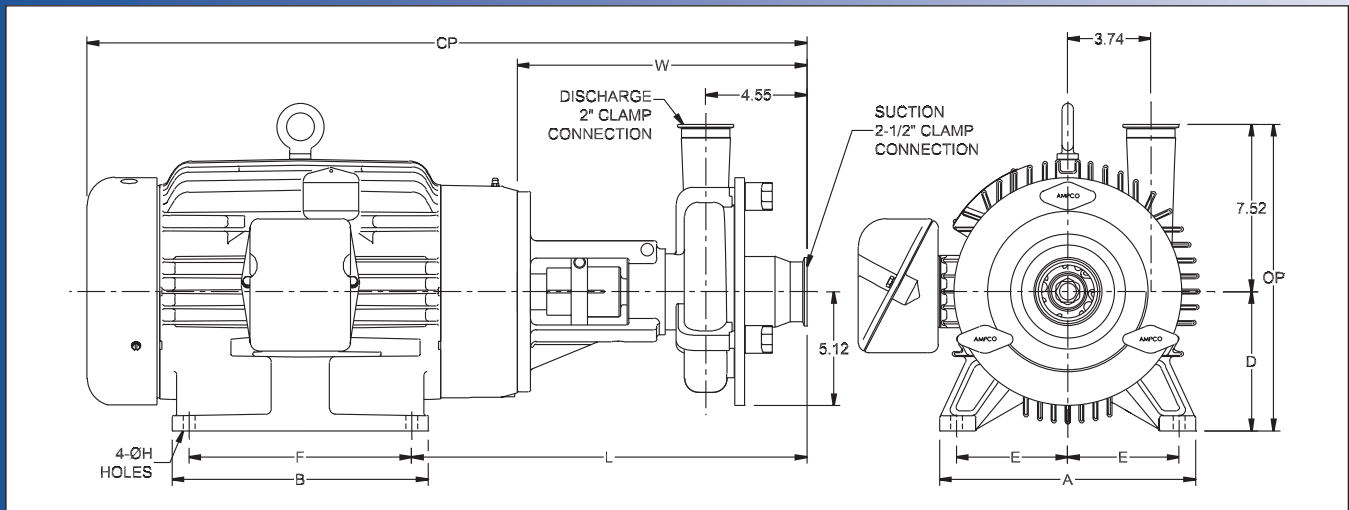
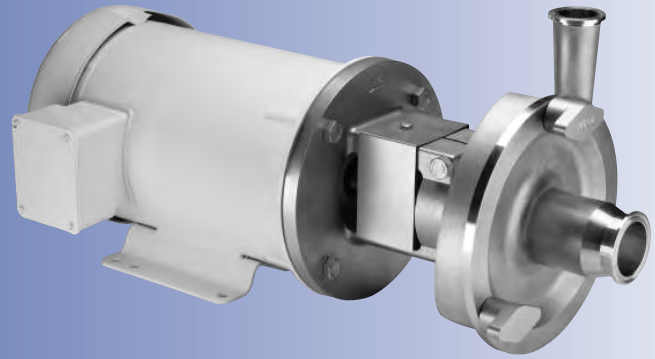
**Ampco  
 Pumps  
 Company**

4424 West Mitchell Street  
 Milwaukee, Wisconsin 53214  
 PHONE (414) 643-1852  
 FAX (414) 643-4452

# Ampco Centrifugal Pumps

## DATA SHEET

MODEL LC-V531 2 1/2 X 2  
MODEL LC-V532 2 1/2 X 2



TEFC MOTOR			DIMENSIONS IN INCHES (For Reference Only)										APPROX WEIGHT (LBS)
HP	RPM	FRAME	A (typ)	B (typ)	D	E	F	ØH	L	W	CP	OP	
1	1750	143TC	6-1/2	6	3-1/2	2-3/4	4	11/32	13.85	11.10	22.16	11.02	89
1-1/2	1750	145TC	6-1/2	6	3-1/2	2-3/4	5	11/32	13.85	11.10	22.16	11.02	95
2	1750	145TC	6-1/2	6	3-1/2	2-3/4	5	11/32	13.85	11.10	22.16	11.02	98
3	1750	182TC	8-5/8	6-1/2	4-1/2	3-3/4	4-1/2	13/32	15.41	11.91	25.60	12.02	128
5	1750	184TC	8-5/8	6-1/2	4-1/2	3-3/4	5-1/2	13/32	15.41	11.91	27.09	12.02	135
5	3500	184TC	8-5/8	6-1/2	4-1/2	3-3/4	5-1/2	13/32	15.41	11.91	25.59	12.02	185
7-1/2	3500	184TC	8-5/8	6-1/2	4-1/2	3-3/4	5-1/2	13/32	15.41	11.91	27.09	12.02	195
10	3500	215TC	9-1/2	8	5-1/4	4-1/4	7	13/32	16.16	11.91	27.18	12.77	310
15	3500	215TC	9-1/2	8	5-1/4	4-1/4	7	13/32	16.16	11.91	29.06	12.77	331
20	3500	256TC	11-1/2	11-1/2	6-1/4	5	10	17/32	17.78	13.03	32.37	13.77	458
25	3500	284TSC	12-3/4	12-3/4	7	5-1/2	9-1/2	17/32	19.10	14.35	37.48	14.52	469

## MATERIAL SPECIFICATIONS

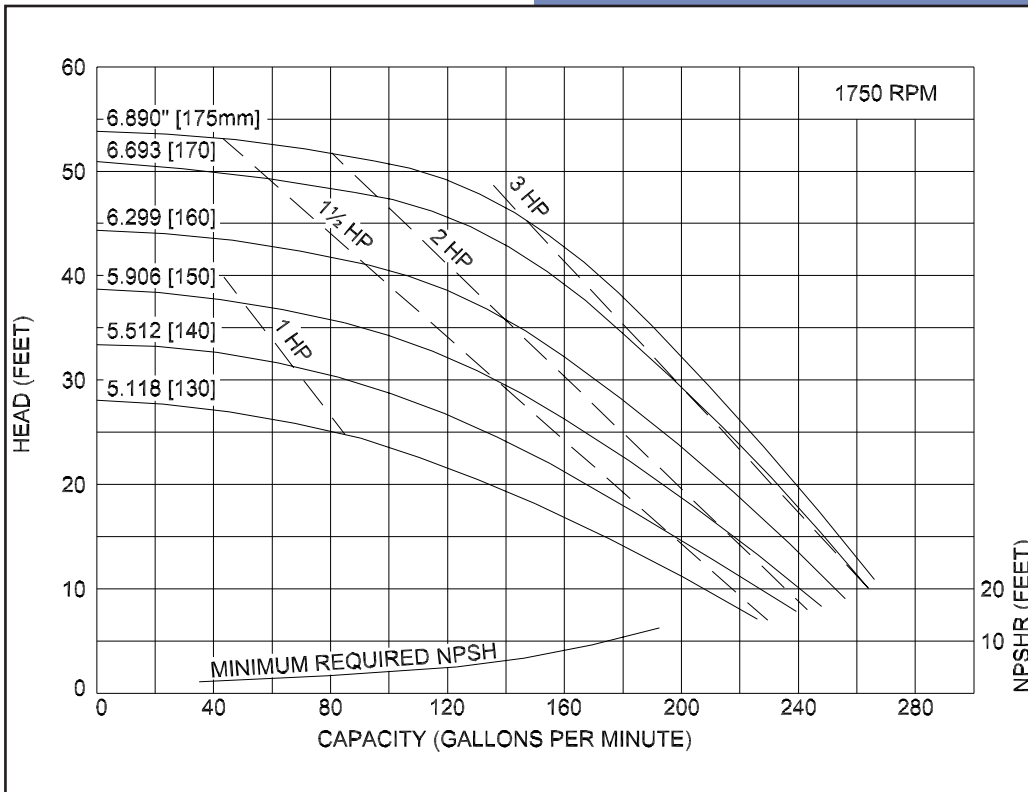
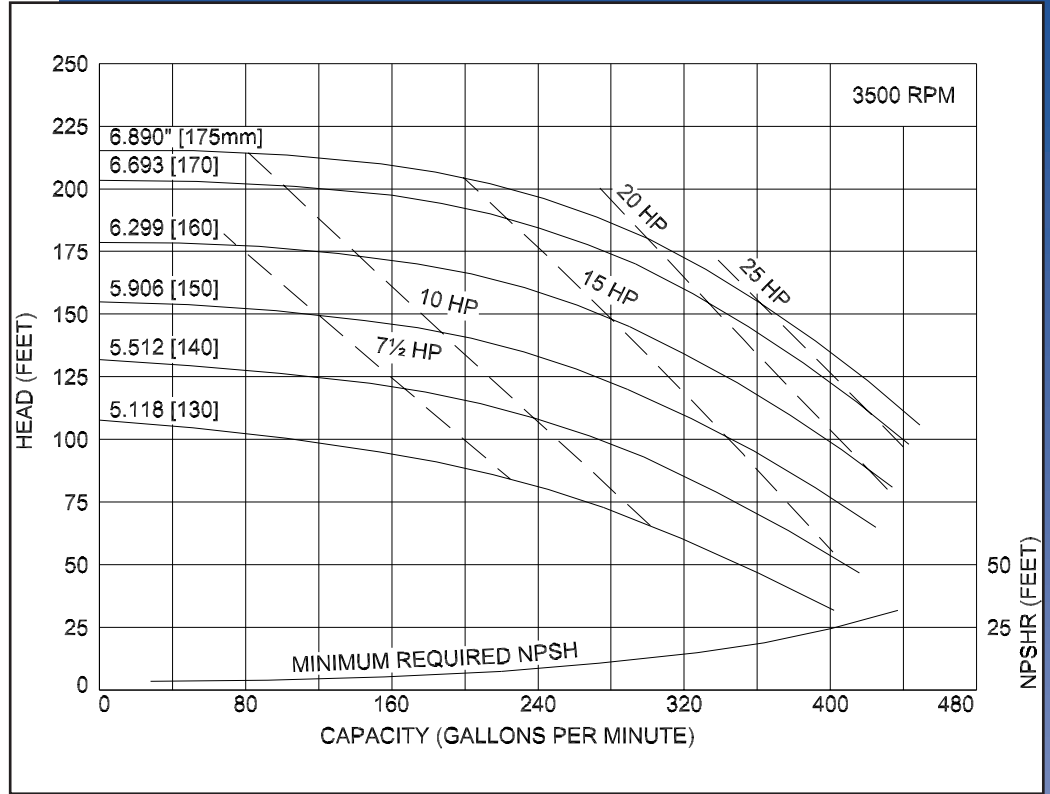
PART NAME	STAINLESS STEEL
Casing, Cover & Impeller	316L Stainless
Stub Shaft	316L Stainless
Adapter	304 Stainless

# Ampco Centrifugal Pumps

MODEL LC-V531 2 1/2 X 2  
 MODEL LC-V532 2 1/2 X 2

Curves show approximate characteristics based on clear 68° water.  
 Rated point is guaranteed.

LC-Series pumps have standard stainless steel adapters and silicon carbide vs. carbon seals.



LC pumps are in conformance with 3A sanitary standards for centrifugal and positive rotary pumps for milk and milk products, Number 02-09.

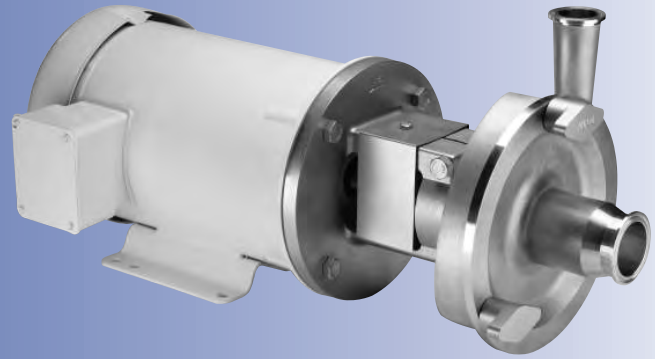
LC-Series pumps have a standard 32RA (150 grit) finish, on all product contact surfaces.

**Ampco  
 Pumps  
 Company**

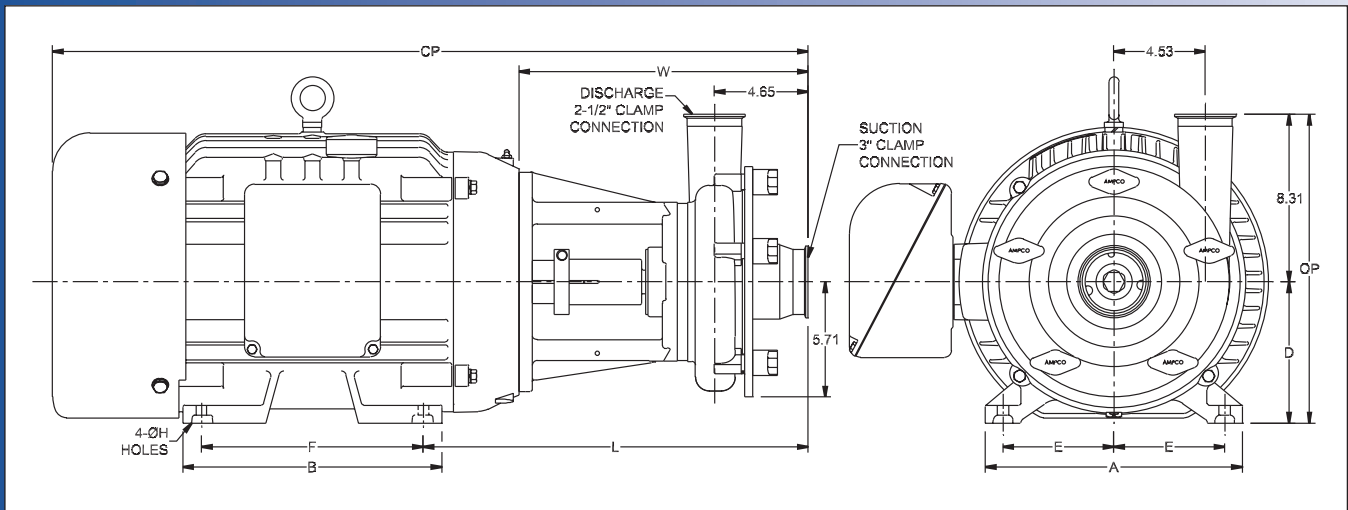
4424 West Mitchell Street  
 Milwaukee, Wisconsin 53214  
 PHONE (414) 643-1852  
 FAX (414) 643-4452

# Ampco Centrifugal Pumps

## DATA SHEET



MODEL LC-V541 3X2<sup>1</sup>/<sub>2</sub>  
MODEL LC-V542 3X2<sup>1</sup>/<sub>2</sub>



TEFC MOTOR			DIMENSIONS IN INCHES (For Reference Only)										APPROX WEIGHT (LBS)
HP	RPM	FRAME	A (typ)	B (typ)	D	E	F	ØH	L	W	CP	OP	
2	1750	145TC	6-1/2	6	3-1/2	2-3/4	5	11/32	13.85	11.10	22.16	11.81	114
3	1750	182TC	8-5/8	6-1/2	4-1/2	2-3/4	4-1/2	13/32	15.41	11.91	25.60	12.81	144
5	1750	184TC	8-5/8	6-1/2	4-1/2	3-3/4	5-1/2	13/32	15.41	11.91	27.09	12.81	151
7-1/2	1750	213TC	9-1/2	8	5-1/4	4-1/4	5-1/2	13/32	16.16	11.91	27.18	13.56	202
10	3500	215TC	9-1/2	8	5-1/4	4-1/4	7	13/32	16.16	11.91	27.18	13.56	198
15	3500	215TC	9-1/2	8	5-1/4	4-1/4	7	13/32	16.16	11.91	29.06	13.56	238
20	3500	256TC	11-1/2	11-1/2	6-1/4	5	10	17/32	17.78	13.03	32.37	14.56	343
25	3500	284TSC	12-3/4	12-3/4	7	5-1/2	9-1/2	17/32	19.10	14.35	37.48	15.31	461
30	3500	286TSC	12-3/4	12-3/4	7	5-1/2	11	17/32	19.10	14.35	37.48	15.31	483
40	3500	324TSC	14-1/2	14	8	6-1/4	10-1/2	21/32	20.23	14.98	39.98	16.31	597
50	3500	326TSC	14-1/2	14	8	6-1/4	12	21/32	20.23	14.98	39.98	16.31	706

## MATERIAL SPECIFICATIONS

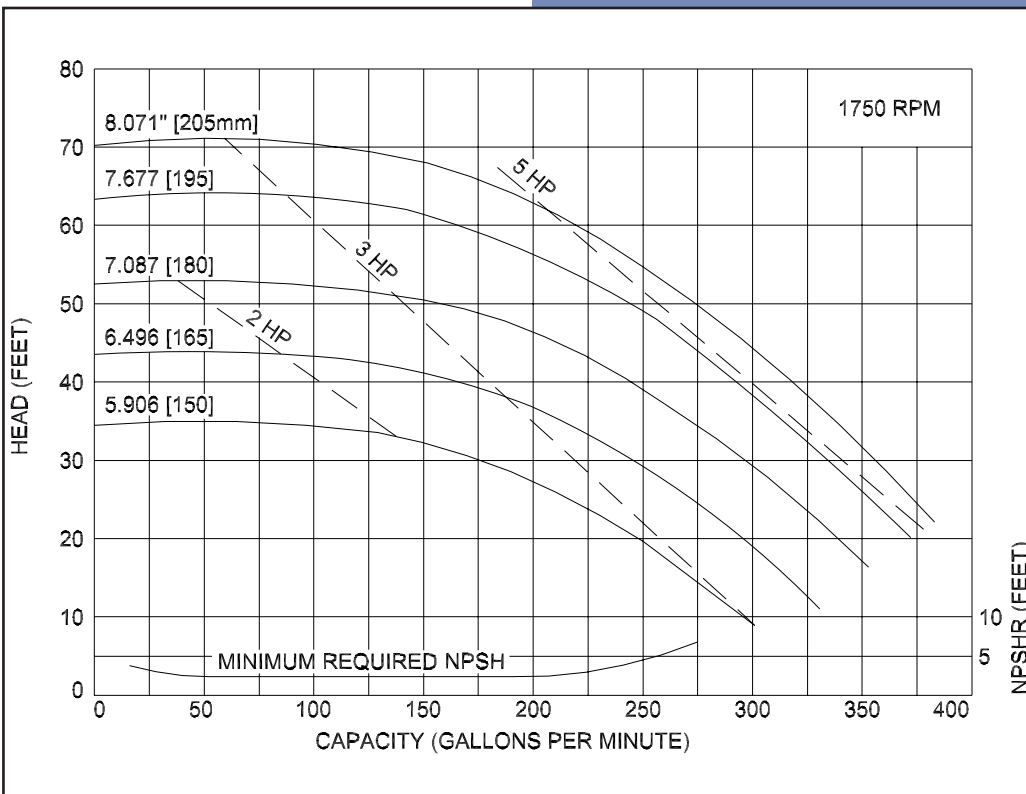
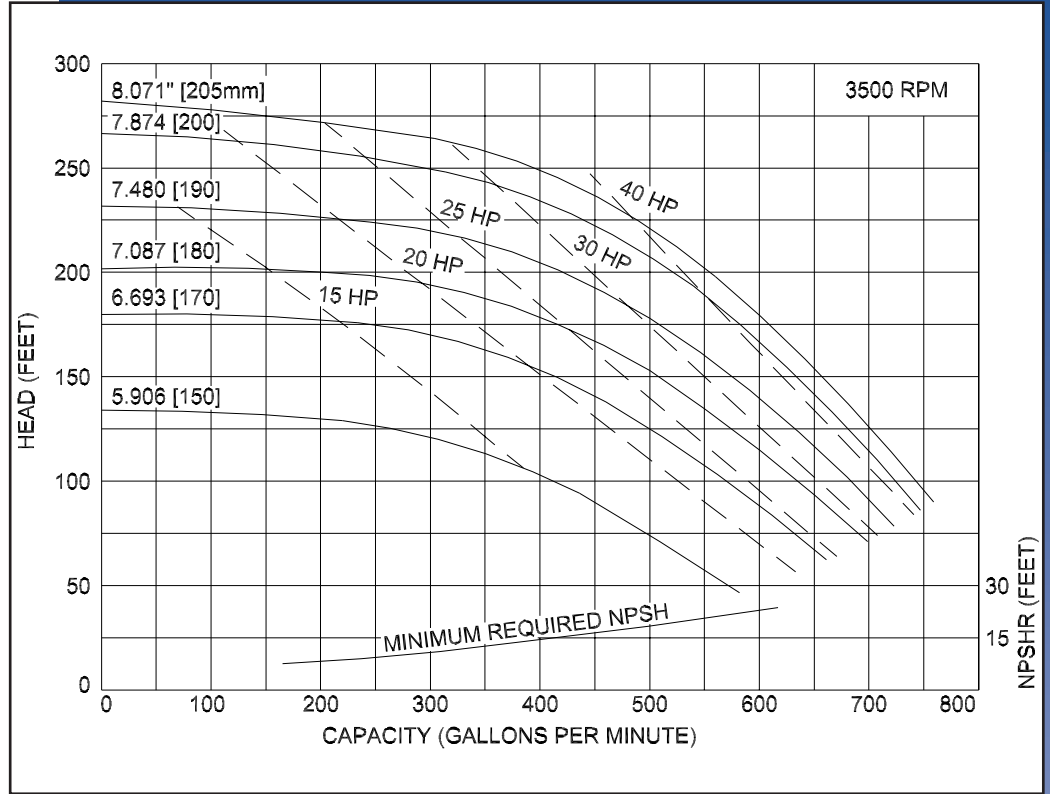
PART NAME	STAINLESS STEEL
Casing, Cover & Impeller	316L Stainless
Stub Shaft	316L Stainless
Adapter	304 Stainless

MODEL LC-V541 3X2½  
 MODEL LC-V542 3X2½

# Ampco Centrifugal Pumps

Curves show approximate characteristics based on clear 68° water.  
 Rated point is guaranteed.

LC-Series pumps have standard stainless steel adapters and silicon carbide vs. carbon seals.



LC pumps are in conformance with 3A sanitary standards for centrifugal and positive rotary pumps for milk and milk products, Number 02-09.

LC-Series pumps have a standard 32RA (150 grit) finish, on all product contact surfaces.

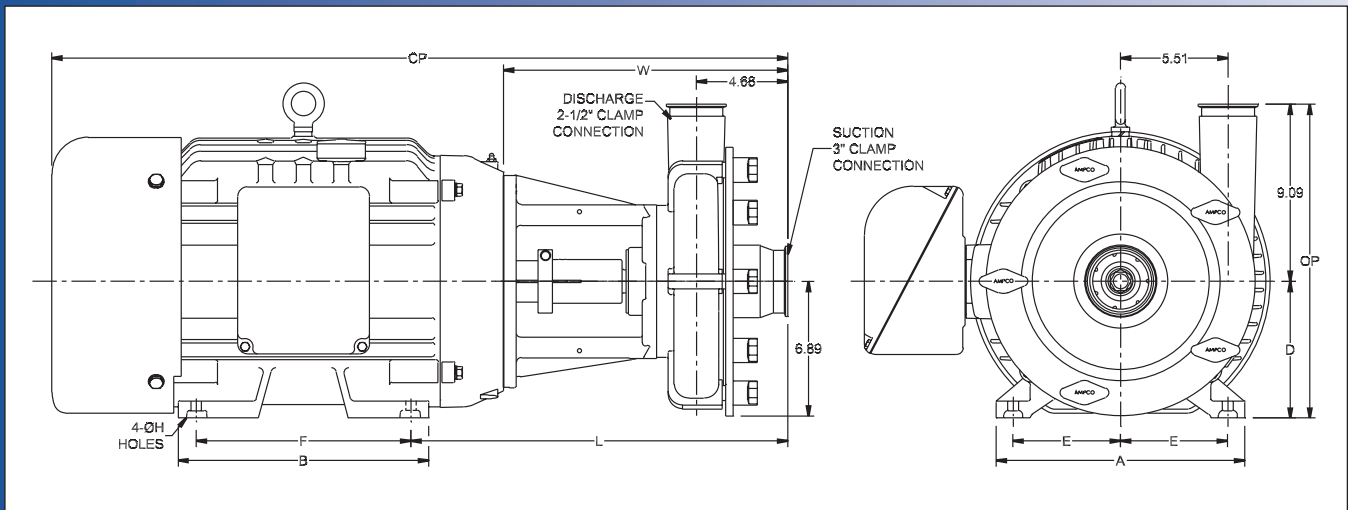
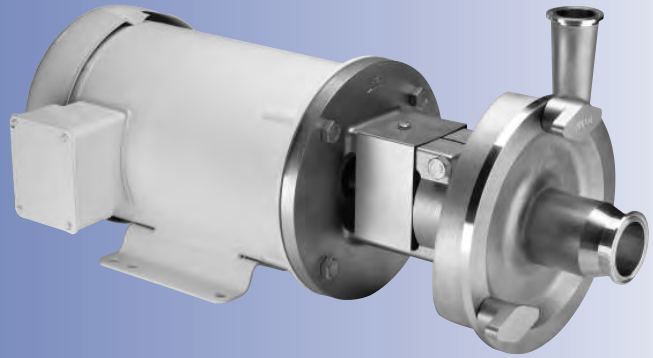
## Ampco Pumps Company

4424 West Mitchell Street  
 Milwaukee, Wisconsin 53214  
 PHONE (414) 643-1852  
 FAX (414) 643-4452

# Ampco Centrifugal Pumps

## DATA SHEET

MODEL LC-V551 3X2<sup>1</sup>/<sub>2</sub>  
MODEL LC-V552 3X2<sup>1</sup>/<sub>2</sub>



TEFC MOTOR			DIMENSIONS IN INCHES (For Reference Only)										APPROX WEIGHT (LBS)
HP	RPM	FRAME	A (typ)	B (typ)	D	E	F	ØH	L	W	CP	OP	
5	1750	184TC	8-5/8	6-1/2	4-1/2	3-3/4	5-1/2	13/32	16.76	13.26	28.44	13.59	173
7-1/2	1750	213TC	9-1/2	8	5-1/4	4-1/4	5-1/2	13/32	17.51	13.26	28.53	14.34	224
10	1750	215TC	9-1/2	8	5-1/4	4-1/4	7	13/32	17.51	13.26	29.75	15.17	234
15	1750	254TC	11-1/2	11-1/2	6-1/4	5	8-1/4	17/32	18.01	13.26	30.85	15.34	350
20	1750	256TC	11-1/2	11-1/2	6-1/4	5	10	17/32	18.01	13.26	32.92	15.34	371
25	3500	284TSC	12-3/4	12-3/4	7	5-1/2	9-1/2	17/32	19.33	14.58	37.71	16.09	483
30	3500	286TSC	12-3/4	12-3/4	7	5-1/2	11	17/32	19.33	14.58	37.71	16.09	505
40	3500	324TSC	14-1/2	14	8	6-1/4	10-1/2	21/32	20.46	15.210	40.21	17.09	619
50	3500	326TSC	14-1/2	14	8	6-1/4	12	21/32	20.46	15.21	40.21	17.09	728

## MATERIAL SPECIFICATIONS

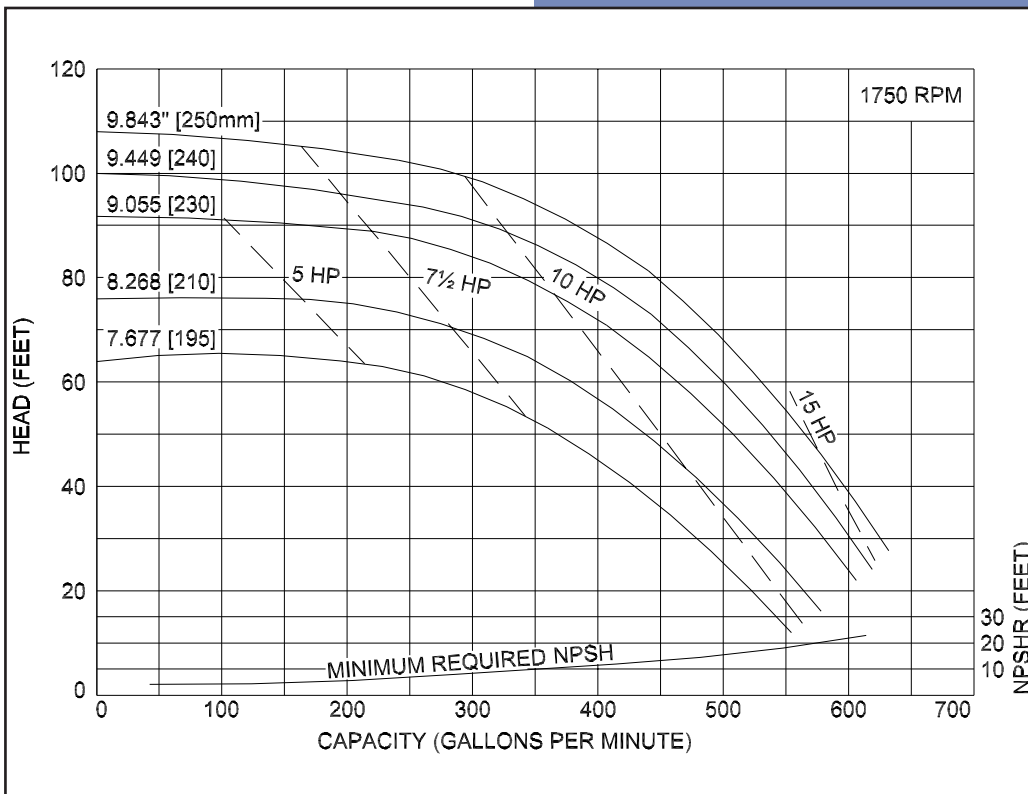
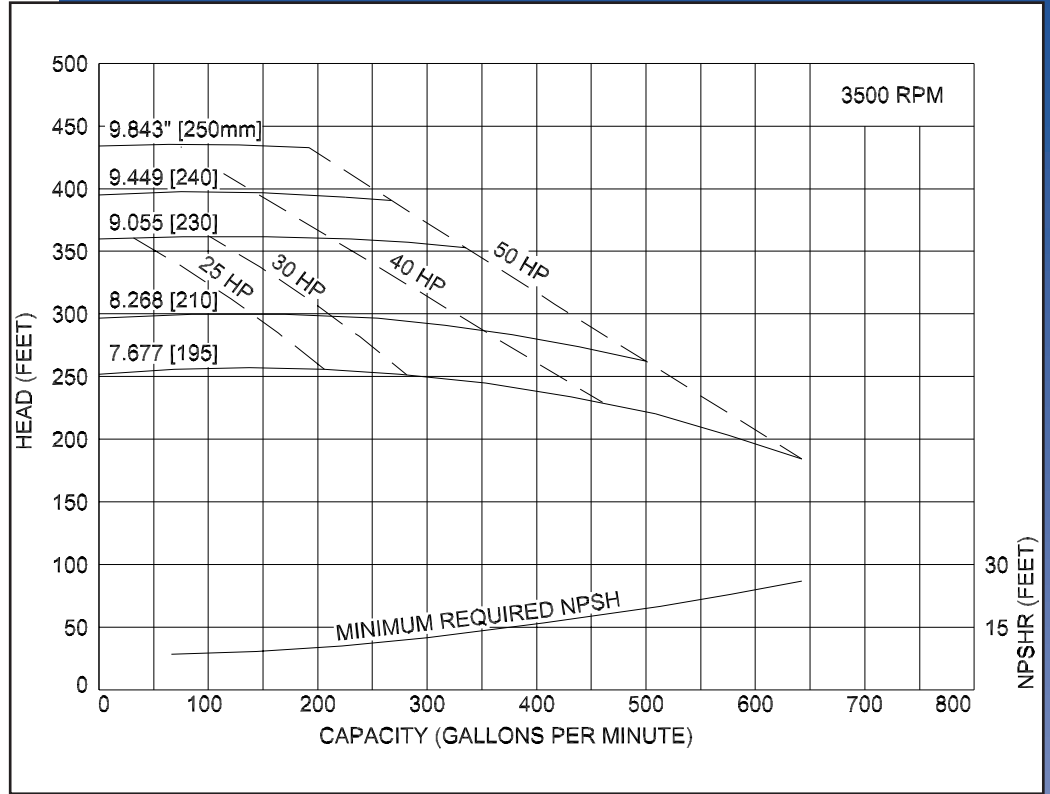
PART NAME	STAINLESS STEEL
Casing, Cover & Impeller	316L Stainless
Stub Shaft	316L Stainless
Adapter	304 Stainless

MODEL LC-V551 3X2½  
 MODEL LC-V552 3X2½

# Ampco Centrifugal Pumps

Curves show approximate characteristics based on clear 68° water.  
 Rated point is guaranteed.

LC-Series pumps have standard stainless steel adapters and silicon carbide vs. carbon seals.



LC pumps are in conformance with 3A sanitary standards for centrifugal and positive rotary pumps for milk and milk products, Number 02-09.

LC-Series pumps have a standard 32RA (150 grit) finish, on all product contact surfaces.

## Ampco Pumps Company

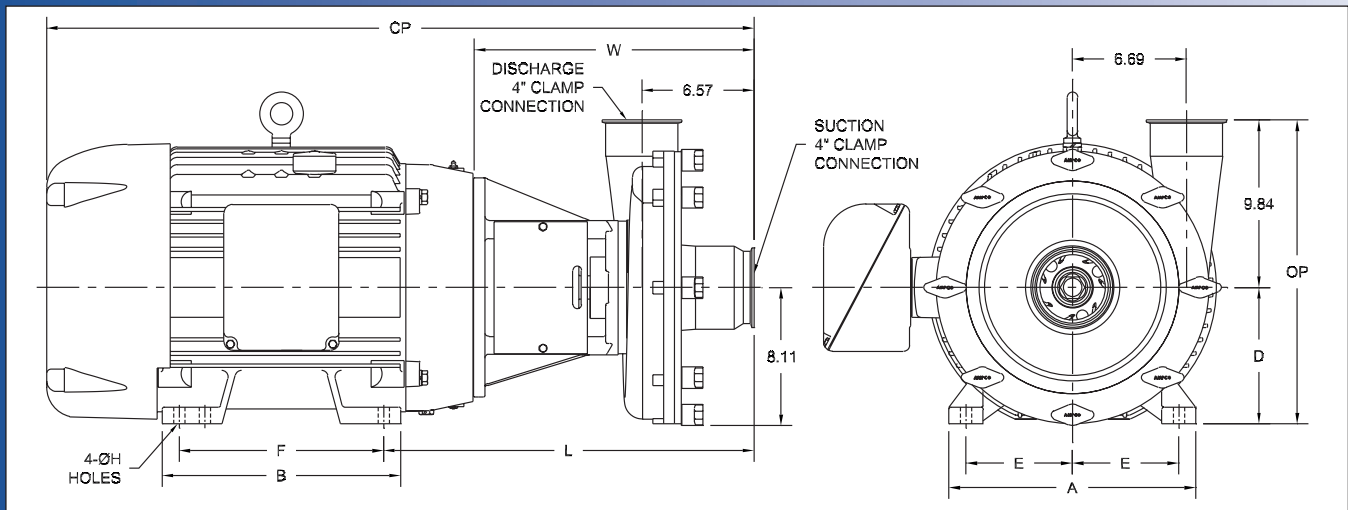
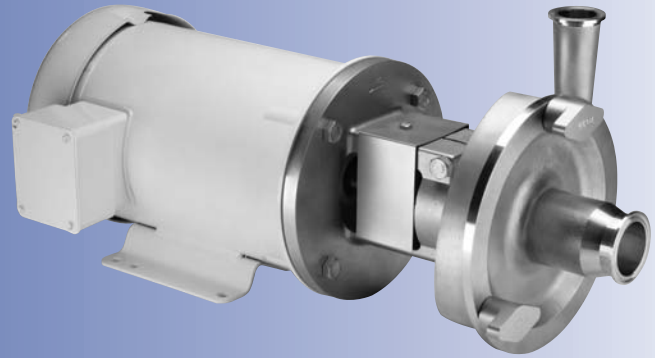
4424 West Mitchell Street  
 Milwaukee, Wisconsin 53214  
 PHONE (414) 643-1852  
 FAX (414) 643-4452



# Ampco Centrifugal Pumps

DATA SHEET

MODEL LC-X051 4X4



TEFC MOTOR			DIMENSIONS IN INCHES (For Reference Only)										APPROX WEIGHT (LBS)
HP	RPM	FRAME	A (typ)	B (typ)	D	E	F	ØH	L	W	CP	OP	
7-1/2	1750	213TC	9-1/2	8	5-1/4	4-1/4	5-1/2	13/32	20.09	15.84	31.10	15.09	300
10	1750	215TC	9-1/2	8	5-1/4	4-1/4	7	13/32	20.09	15.84	32.23	15.09	310
15	1750	254TC	11-1/2	11-1/2	6-1/4	5	8-1/4	17/32	20.59	15.84	33.41	16.09	424
20	1750	256TC	11-1/2	11-1/2	6-1/4	5	10	17/32	20.59	15.84	35.50	16.09	445
25	1750	284TC	12-3/4	12-3/4	7	5-1/2	9-1/2	17/32	20.59	15.84	37.18	16.84	578

## MATERIAL SPECIFICATIONS

PART NAME	STAINLESS STEEL
Casing, Cover & Impeller	316L Stainless
Stub Shaft	316L Stainless
Adapter	304 Stainless

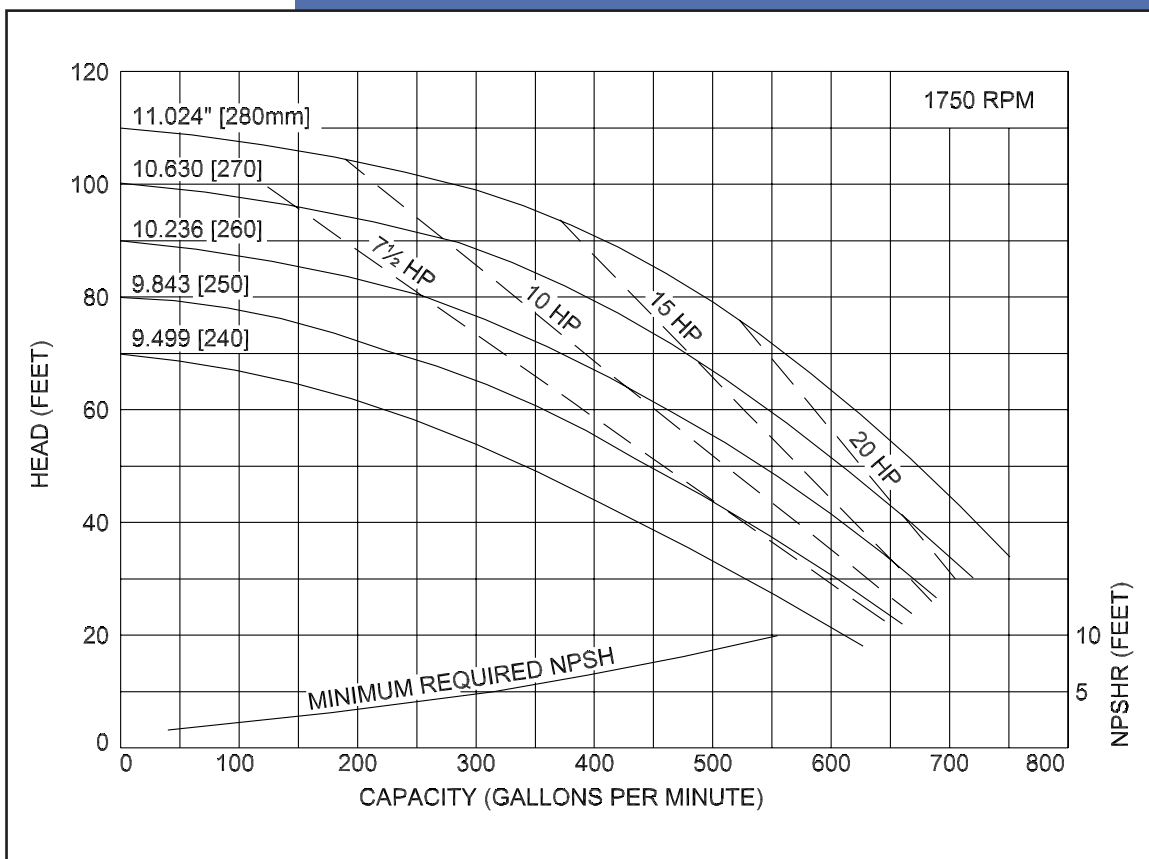


# Ampco Centrifugal Pumps

MODEL LC-X051 4X4

Curves show approximate characteristics based on clear 68° water.  
Rated point is guaranteed.

LC-Series pumps have standard stainless steel adapters and silicon carbide vs. carbon seals.



LC pumps are in conformance with 3A sanitary standards for centrifugal and positive rotary pumps for milk and milk products, Number 02-10.

LC-Series pumps have a standard 32RA (150 grit) finish, on all product contact surfaces.

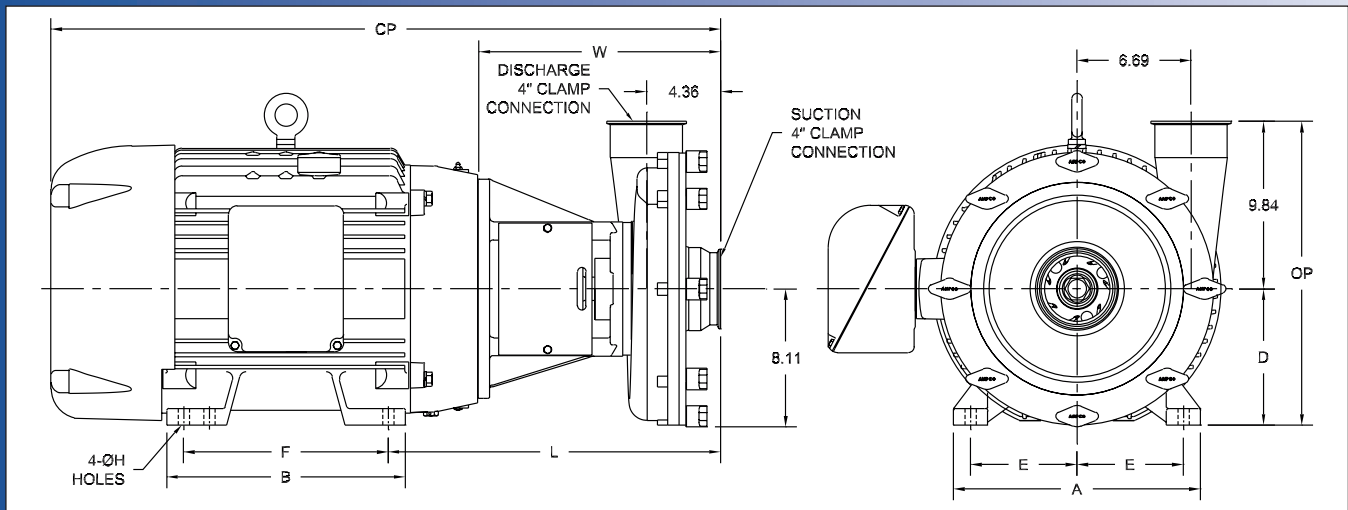
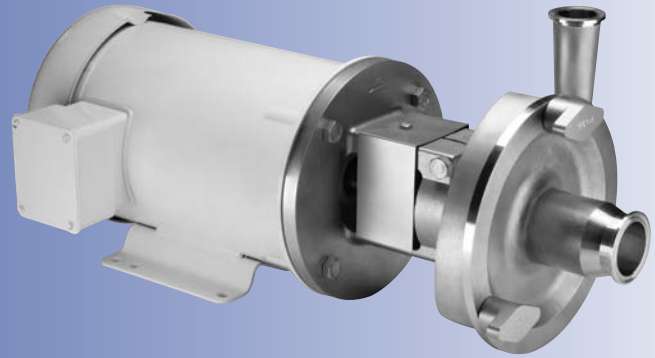
## Ampco Pumps Company

Milwaukee, Wisconsin - PHONE (414) 643-1852 - FAX (414) 643-4452

# Ampco Centrifugal Pumps

DATA SHEET

MODEL LC-X151 4X4



TEFC MOTOR			DIMENSIONS IN INCHES (For Reference Only)										APPROX WEIGHT (LBS)
HP	RPM	FRAME	A (typ)	B (typ)	D	E	F	ØH	L	W	CP	OP	
10	1750	215TC	9-1/2	8	5-1/4	4-1/4	7	11/32	17.87	13.62	30.01	15.09	310
15	1750	254TC	11-1/2	11-1/2	6-1/4	5	8-1/4	11/32	18.37	13.62	31.19	16.09	424
20	1750	256TC	11-1/2	11-1/2	6-1/4	5	10	13/32	18.37	13.62	33.28	16.09	445
25	1750	284TC	12-3/4	12-3/4	7	5-1/2	9-1/2	17/32	18.37	13.62	34.96	16.84	578
30	1750	286TC	12-3/4	12-3/4	7	5-1/2	11	17/32	18.37	13.62	34.96	16.84	589
40	1750	324TC	14-1/2	14	8	6-1/4	10-1/2	21/32	19.50	14.25	39.39	17.84	778

## MATERIAL SPECIFICATIONS

PART NAME	STAINLESS STEEL
Casing, Cover & Impeller	316L Stainless
Stub Shaft	316L Stainless
Adapter	304 Stainless

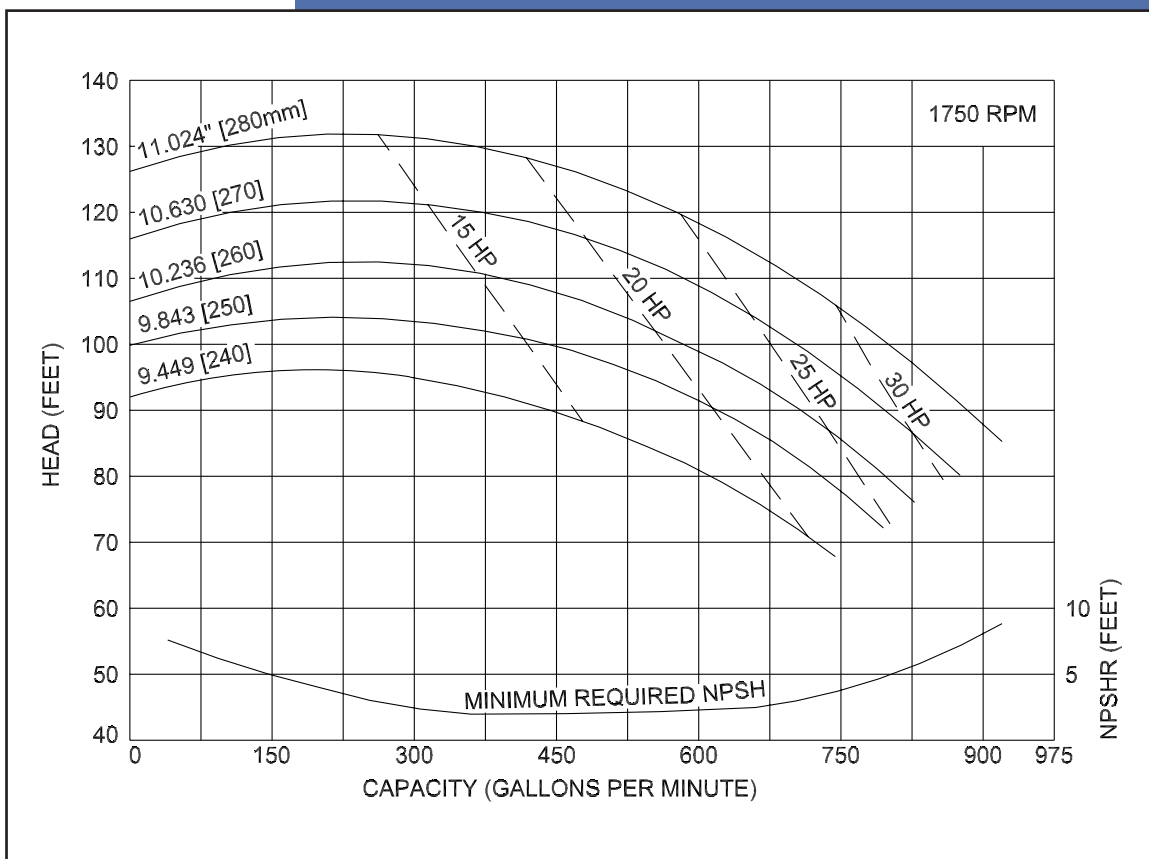


# Ampco Centrifugal Pumps

MODEL LC-X151 4X4

Curves show approximate characteristics based on clear 68° water.  
Rated point is guaranteed.

LC-Series pumps have standard stainless steel adapters and silicon carbide vs. carbon seals.



LC pumps are in conformance with 3A sanitary standards for centrifugal and positive rotary pumps for milk and milk products, Number 02-10.

LC-Series pumps have a standard 32RA (150 grit) finish, on all product contact surfaces.

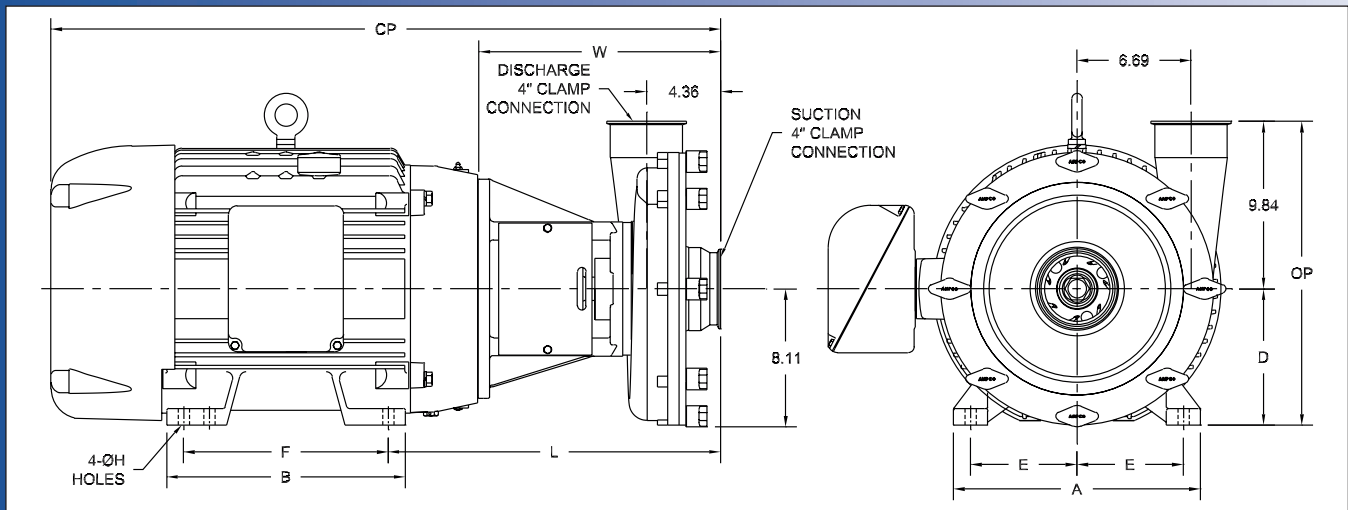
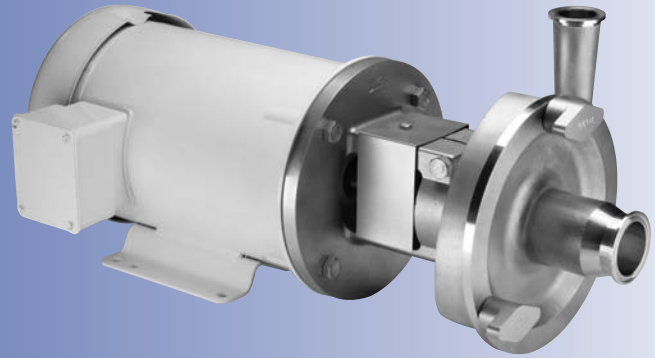
## Ampco Pumps Company

Milwaukee, Wisconsin - PHONE (414) 643-1852 - FAX (414) 643-4452

# Ampco Centrifugal Pumps

DATA SHEET

MODEL LC-X161 4X4



TEFC MOTOR			DIMENSIONS IN INCHES (For Reference Only)										APPROX WEIGHT (LBS)
HP	RPM	FRAME	A (typ)	B (typ)	D	E	F	ØH	L	W	CP	OP	
15	1750	254TC	11-1/2	11-1/2	6-1/4	5	8-1/4	11/32	18.37	13.62	31.19	16.09	426
20	1750	256TC	11-1/2	11-1/2	6-1/4	5	10	13/32	18.37	13.62	33.28	16.09	447
25	1750	284TC	12-3/4	12-3/4	7	5-1/2	9-1/2	17/32	18.37	13.62	34.96	16.84	580
30	1750	286TC	12-3/4	12-3/4	7	5-1/2	11	17/32	18.37	13.62	34.96	16.84	591
40	1750	324TC	14-1/2	14	8	6-1/4	10-1/2	21/32	19.50	14.25	39.39	17.84	780
50	1750	326TC	14-1/2	14	8	6-1/4	12	21/32	19.50	14.25	39.39	17.84	765

## MATERIAL SPECIFICATIONS

PART NAME	STAINLESS STEEL
Casing, Cover & Impeller	316L Stainless
Stub Shaft	316L Stainless
Adapter	304 Stainless

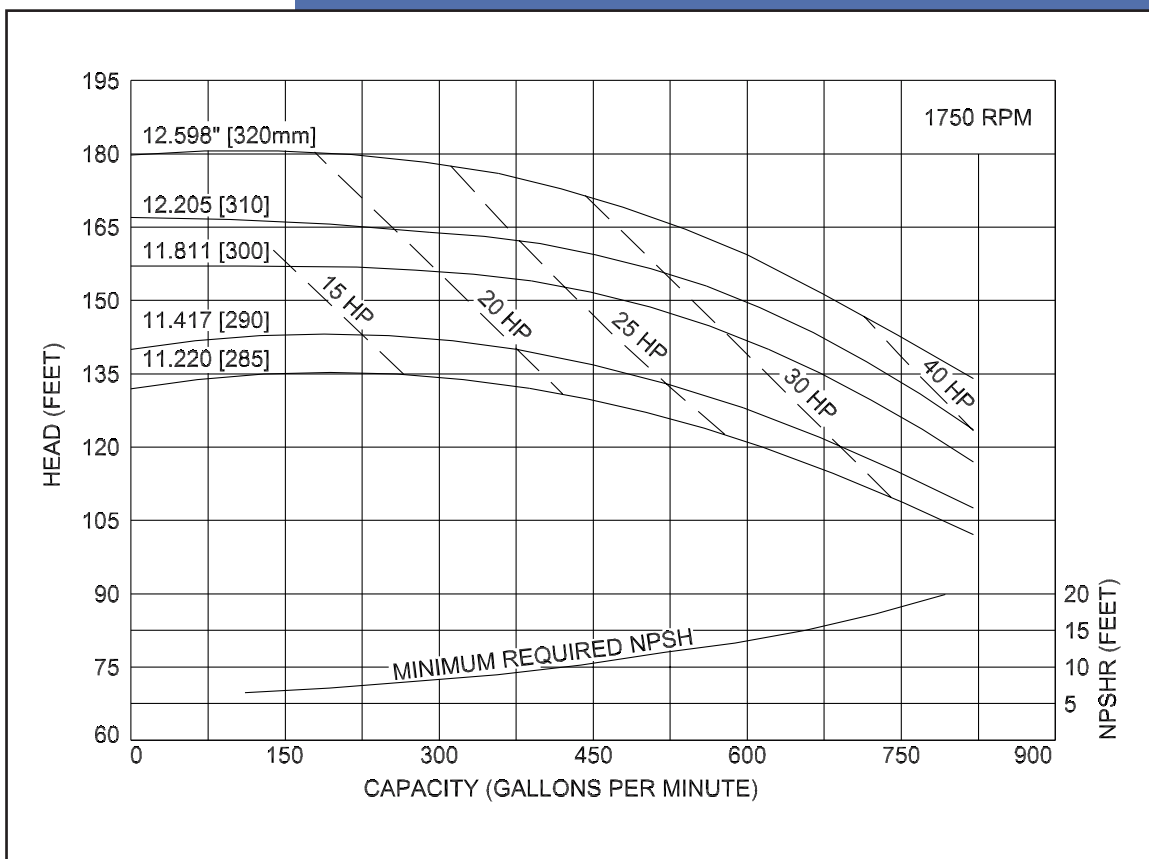


# Ampco Centrifugal Pumps

MODEL LC-X161 4X4

Curves show approximate characteristics based on clear 68° water.  
Rated point is guaranteed.

LC-Series pumps have standard stainless steel adapters and silicon carbide vs. carbon seals.



LC pumps are in conformance with 3A sanitary standards for centrifugal and positive rotary pumps for milk and milk products, Number 02-10.

LC-Series pumps have a standard 32RA (150 grit) finish, on all product contact surfaces.

## Ampco Pumps Company

Milwaukee, Wisconsin - PHONE (414) 643-1852 - FAX (414) 643-4452