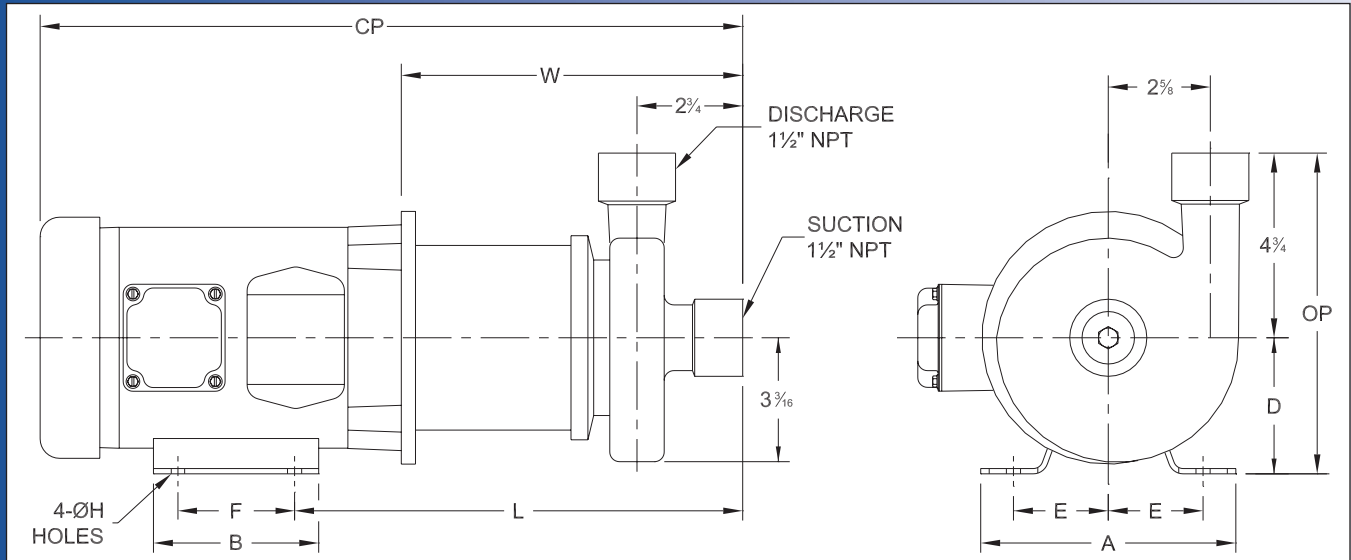


Ampco Centrifugal Pumps

DATA SHEET

MODEL IC+ 1 1/2 X 1 1/2



TEFC MOTOR			DIMENSIONS IN INCHES (For Reference Only)										APPROX WEIGHT (LBS)
HP	RPM	FRAME	A (typ)	B (typ)	D	E	F	ØH	L	W	CP	OP	
1/4	1750	56C	6-9/16	4-1/4	3-1/2	2-7/16	3	7/16	11-9/16	8-13/16	18-1/16	8-1/4	20
1/2	1750	56C	6-9/16	4-1/4	3-1/2	2-7/16	3	7/16	11-9/16	8-13/16	18-1/16	8-1/4	20
1/2	1750	56C	6-9/16	4-1/4	3-1/2	2-7/16	3	7/16	11-9/16	8-13/16	18-1/16	8-1/4	41
3/4	3500	56C	6-9/16	4-1/4	3-1/2	2-7/16	3	7/16	11-9/16	8-13/16	18-1/16	8-1/4	42
1	3500	56C	6-9/16	4-1/4	3-1/2	2-7/16	3	7/16	11-9/16	8-13/16	18-1/16	8-1/4	44
1-1/2	3500	56C	6-9/16	4-1/4	3-1/2	2-7/16	3	7/16	11-9/16	8-13/16	19-1/16	8-1/4	59
1-1/2	3500	143TC	6-1/2	6	3-1/2	2-3/4	5	11/32	11-9/16	8-13/16	20-1/16	8-1/4	59
2	3500	56C	6-9/16	4-1/4	3-1/2	2-7/16	3	7/16	11-9/16	8-13/16	19-1/16	8-1/4	73
2	3500	145TC	6-1/2	6	3-1/2	2-3/4	5	11/32	11-9/16	8-13/16	20-1/16	8-1/4	66
3	3500	145TC	6-1/2	6	3-1/2	2-3/4	5	11/32	11-9/16	8-13/16	20-1/16	8-1/4	75
5	3500	184TC	8-5/8	6-1/2	4-1/2	3-3/4	5-1/2	13/32	12-15/16	9-7/16	24-9/16	9-1/4	98

MATERIAL SPECIFICATIONS

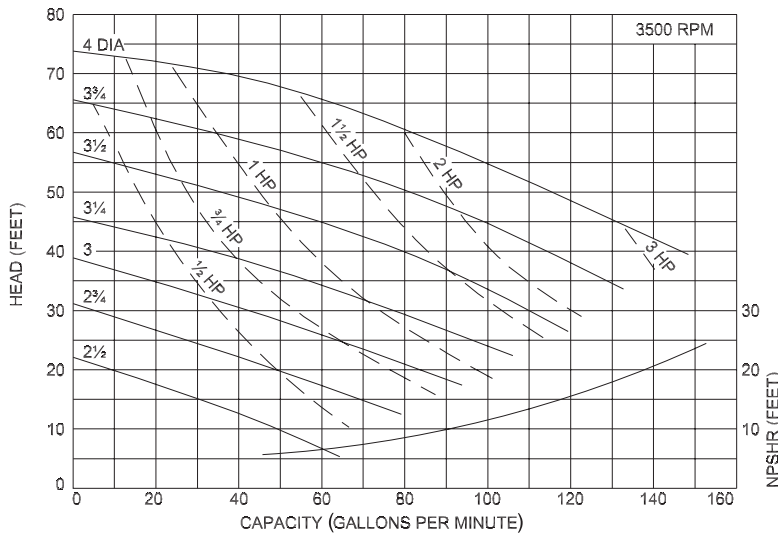
PART NAME	STAINLESS STEEL
Casing	316L Stainless
Backplate, Impeller, Stub Shaft	316 Stainless
Adapter	304 Stainless



Ampco Centrifugal Pumps

MODEL IC+ 1 1/4 1 1/2 X 1 1/2

Curves show approximate characteristics
based on clear 68° water.
Rated point is guaranteed.



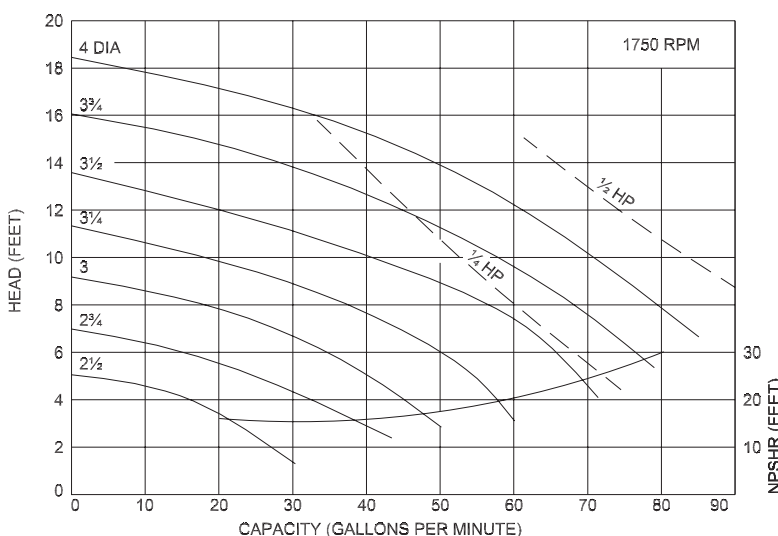
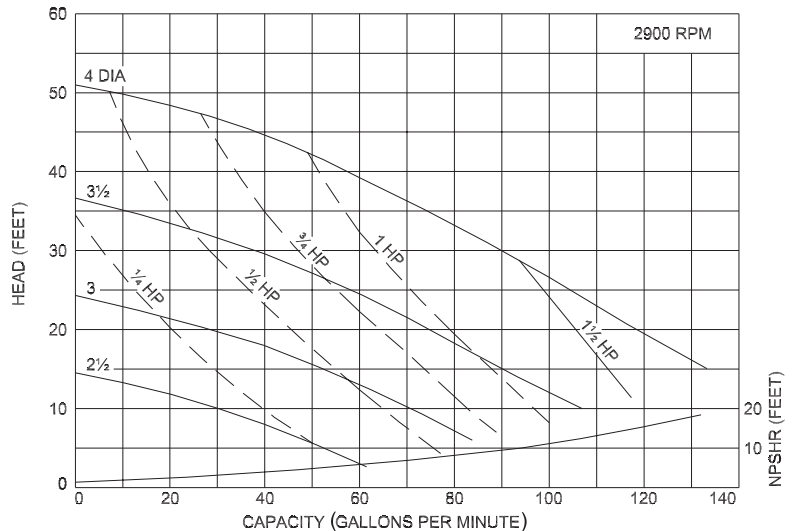
IC+ Series pumps have standard NPT connections.

Flange connections are optional.

IC+ pumps are constructed of 316L stainless steel
with a glass beaded finish.

The standard IC+ mechanical seal is a Type 21
with a ceramic seat, carbon rotating element.
Buna-N elastomers and 316 SS metallics.

Contact the factory for other seal
material options.



Ampco Pumps Company

2045 West Mill Road
Glendale, Wisconsin 53209

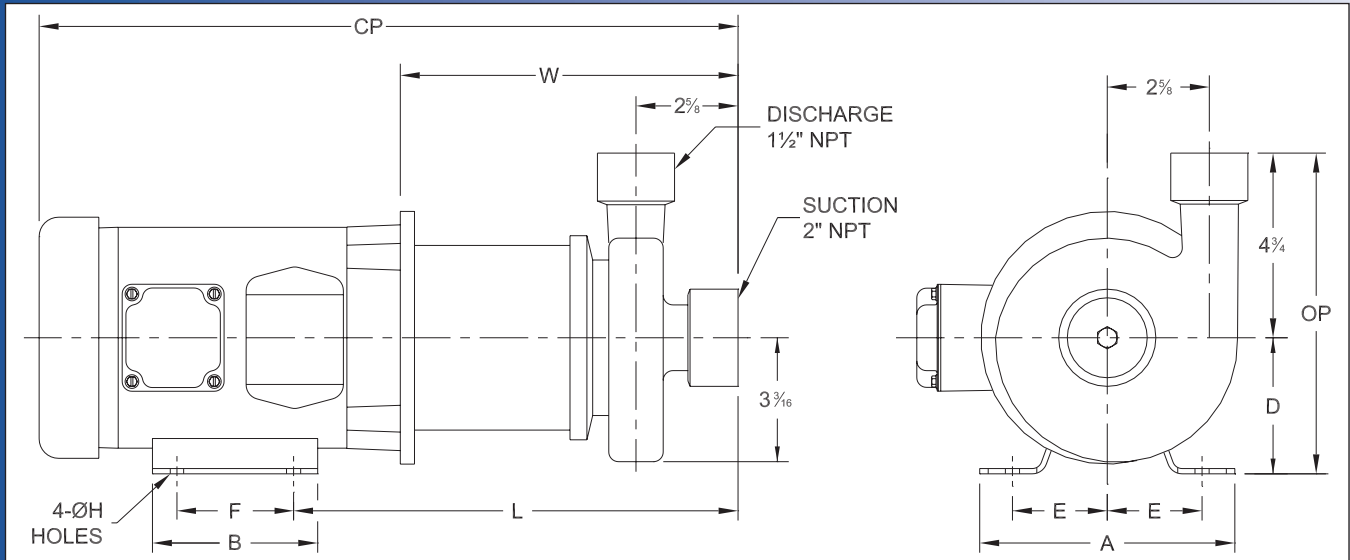
PHONE (414) 643-1852

FAX (414) 643-4452

Ampco Centrifugal Pumps

DATA SHEET

MODEL IC+ 1 1/4 2X1 1/2



TEFC MOTOR			DIMENSIONS IN INCHES (For Reference Only)										APPROX WEIGHT (LBS)
HP	RPM	FRAME	A (typ)	B (typ)	D	E	F	ØH	L	W	CP	OP	
1/4	1750	56C	6-9/16	4-1/4	3-1/2	2-7/16	3	7/16	11-1/2	8-3/4	17-31/32	8-1/4	20
1/2	1750	56C	6-9/16	4-1/4	3-1/2	2-7/16	3	7/16	11-1/2	8-3/4	17-31/32	8-1/4	20
1/2	1750	56C	6-9/16	4-1/4	3-1/2	2-7/16	3	7/16	11-1/2	8-3/4	17-31/32	8-1/4	41
3/4	3500	56C	6-9/16	4-1/4	3-1/2	2-7/16	3	7/16	11-1/2	8-3/4	17-31/32	8-1/4	42
1	3500	56C	6-9/16	4-1/4	3-1/2	2-7/16	3	7/16	11-1/2	8-3/4	17-31/32	8-1/4	44
1-1/2	3500	56C	6-9/16	4-1/4	3-1/2	2-7/16	3	7/16	11-1/2	8-3/4	18-31/32	8-1/4	59
1-1/2	3500	143TC	6-1/2	6	3-1/2	2-3/4	5	11/32	11-1/2	8-3/4	19-31/32	8-1/4	59
2	3500	56C	6-9/16	4-1/4	3-1/2	2-7/16	3	7/16	11-1/2	8-3/4	18-31/32	8-1/4	73
2	3500	145TC	6-1/2	6	3-1/2	2-3/4	5	11/32	11-1/2	8-3/4	19-31/32	8-1/4	66
3	3500	145TC	6-1/2	6	3-1/2	2-3/4	5	11/32	11-1/2	8-3/4	19-31/32	8-1/4	75
5	3500	184TC	8-5/8	6-1/2	4-1/2	3-3/4	5-1/2	13/32	12-7/8	9-3/8	24-15/32	9-1/4	98

MATERIAL SPECIFICATIONS

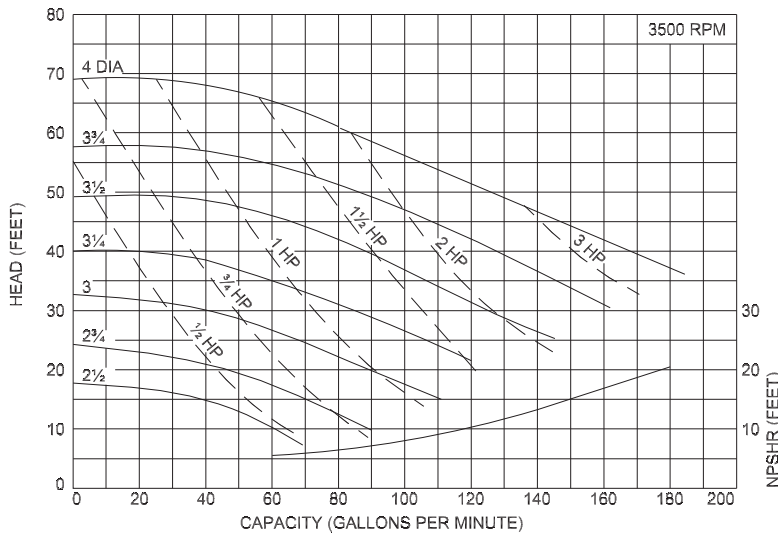
PART NAME	STAINLESS STEEL
Casing	316L Stainless
Backplate, Impeller, Stub Shaft	316 Stainless
Adapter	304 Stainless



Ampco Centrifugal Pumps

MODEL IC+ 114 2X1¹/₂

Curves show approximate characteristics
based on clear 68° water.
Rated point is guaranteed.



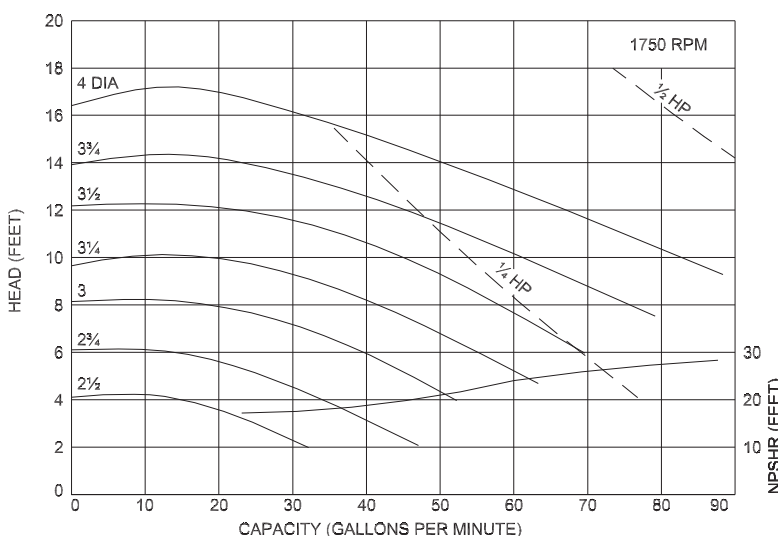
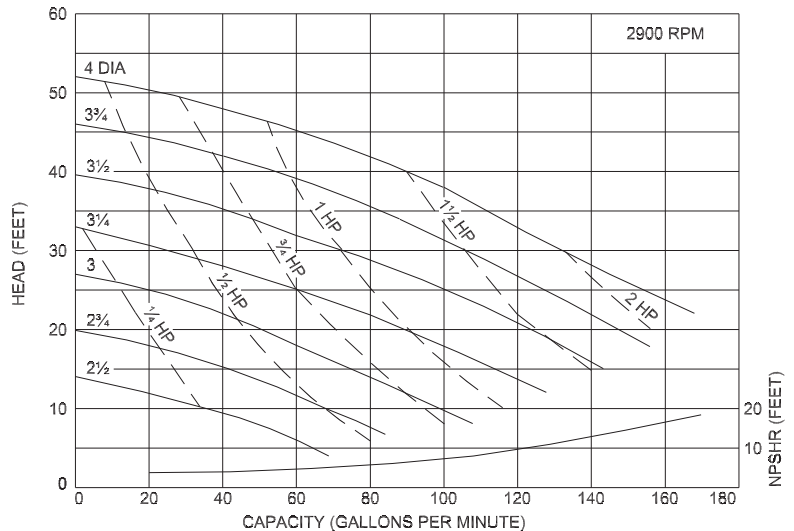
IC+ Series pumps have standard NPT connections.

Flange connections are optional.

IC+ pumps are constructed of 316L stainless steel
with a glass beaded finish.

The standard IC+ mechanical seal is a Type 21
with a ceramic seat, carbon rotating element.
Buna-N elastomers and 316 SS metallics.

Contact the factory for other seal
material options.



Ampco Pumps Company

2045 West Mill Road
Glendale, Wisconsin 53209

PHONE (414) 643-1852

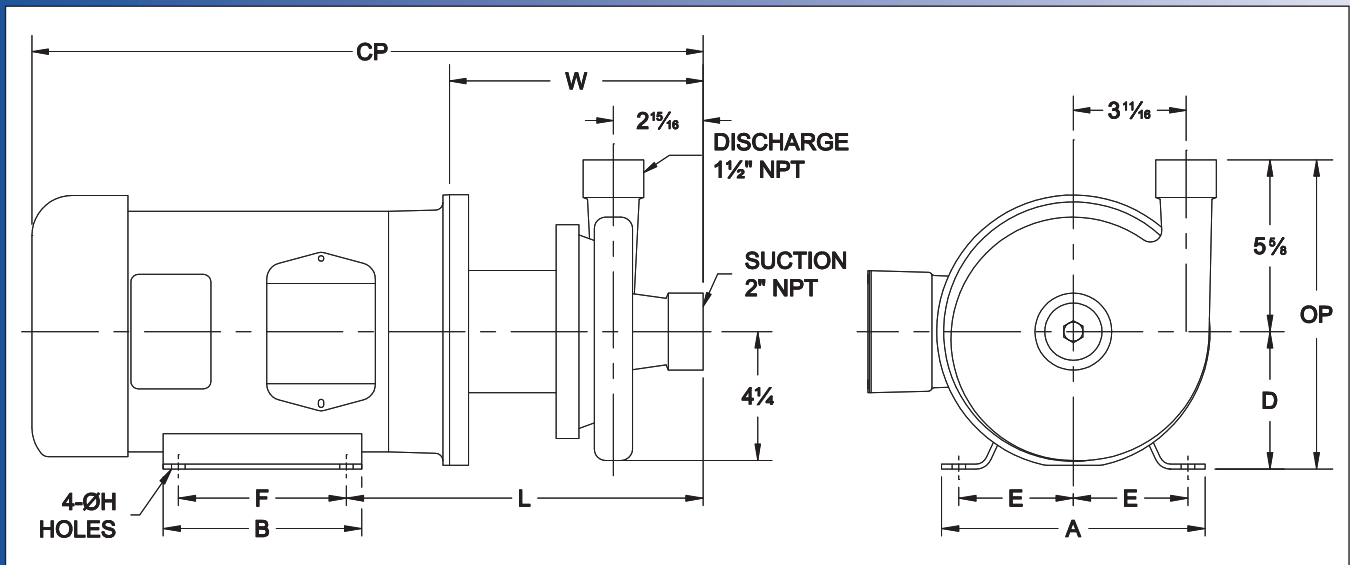
FAX (414) 643-4452

Ampco Centrifugal Pumps

DATA SHEET



MODEL IC+ 216 2X1 1/2



TEFC MOTOR			DIMENSIONS IN INCHES (For Reference Only)										APPROX WEIGHT (LBS)
HP	RPM	FRAME	A (typ)	B (typ)	D	E	F	ØH	L	W	CP	OP	
1/2	1750	56C	6-9/16	4-1/4	3-1/2	2-7/16	3	7/16	11-3/4	9	18-7/32	9-1/8	49
3/4	1750	56C	6-9/16	4-1/4	3-1/2	2-7/16	3	7/16	11-3/4	9	18-7/32	9-1/8	53
1	1750	56C	6-9/16	4-1/4	3-1/2	2-7/16	3	7/16	11-3/4	9	18-7/32	9-1/8	58
1-1/2	1750	56C	6-9/16	4-1/4	3-1/2	2-7/16	3	7/16	11-3/4	9	18-7/32	9-1/8	62
1-1/2	1750	145TC	6-1/2	6	3-1/2	2-3/4	5	11/32	11-3/4	9	20-7/32	9-1/8	72
2	1750	145TC	6-1/2	6	3-1/2	2-3/4	5	11/32	11-3/4	9	20-7/32	9-1/8	75
3	1750	182TC	8-5/8	6-1/2	4-1/2	3-3/4	4-1/2	13/32	13-1/8	9-5/8	23-11/32	10-1/8	104
3	3500	145TC	6-1/2	6	3-1/2	2-3/4	5	11/32	11-3/4	9	20-7/32	9-1/8	83
5	3500	184TC	8-5/8	6-1/2	4-1/2	3-3/4	5-1/2	13/32	13-1/8	9-5/8	24-23/32	10-1/8	106
7-1/2	3500	184TC	8-5/8	6-1/2	4-1/2	3-3/4	5-1/2	13/32	17	9-5/8	24-23/32	10-1/8	124
7-1/2	3500	213TC	9-1/2	8	5-1/4	4-1/4	5-1/2	13/32	15	10-3/4	25-31/32	10-7/8	128
10	3500	215TC	9-1/2	8	5-1/4	4-1/4	7	13/32	15	10-3/4	27-23/32	10-7/8	161
15	3500	215TC	9-1/2	8	5-1/4	4-1/4	7	13/32	15	10-3/4	27-23/32	10-7/8	201
20	3500	256TC	11-1/2	11-1/2	6-1/4	5	10	17/32	16-1/8	11-3/8	31-3/32	11-7/8	308

MATERIAL SPECIFICATIONS

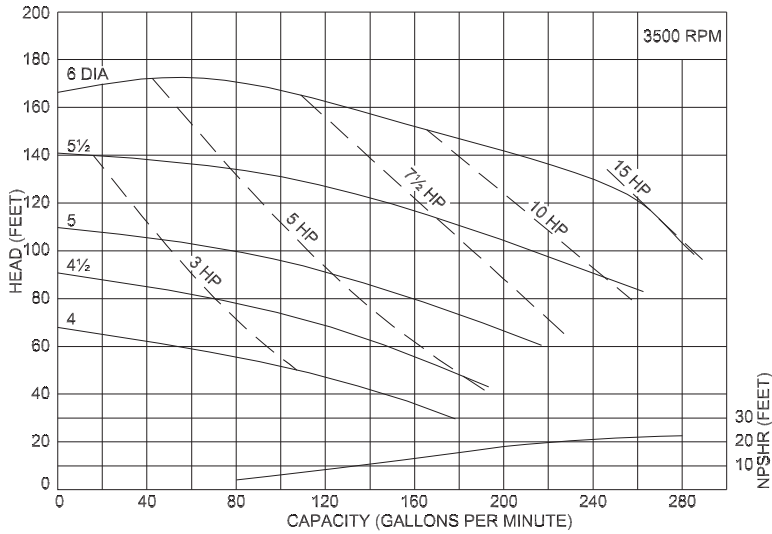
PART NAME	STAINLESS STEEL
Casing	316L Stainless
Backplate, Impeller, Stub Shaft	316 Stainless
Adapter	304 Stainless



Ampco Centrifugal Pumps

MODEL IC+ 216 2X1 1/2

Curves show approximate characteristics
based on clear 68° water.
Rated point is guaranteed.



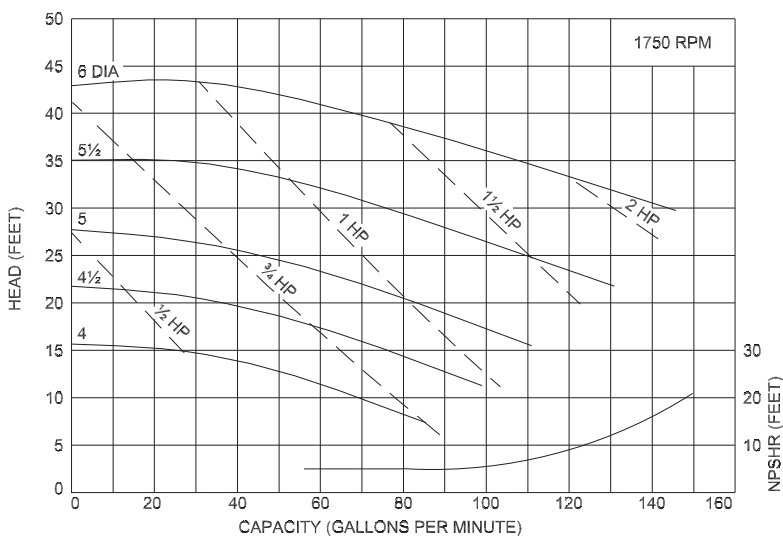
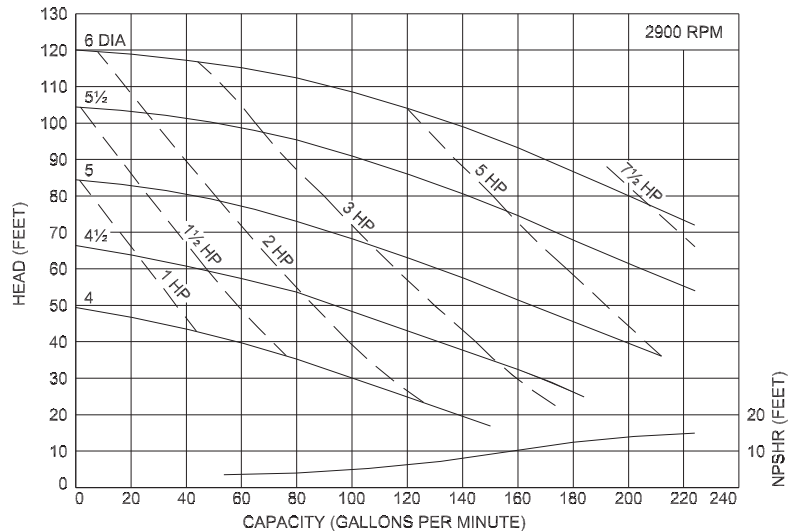
IC+ Series pumps have standard NPT connections.

Flange connections are optional.

IC+ pumps are constructed of 316L stainless steel
with a glass beaded finish.

The standard IC+ mechanical seal is a Type 21
with a ceramic seat, carbon rotating element.
Buna-N elastomers and 316 SS metallics.

Contact the factory for other seal
material options.



Ampco Pumps Company

2045 West Mill Road
Glendale, Wisconsin 53209

PHONE (414) 643-1852

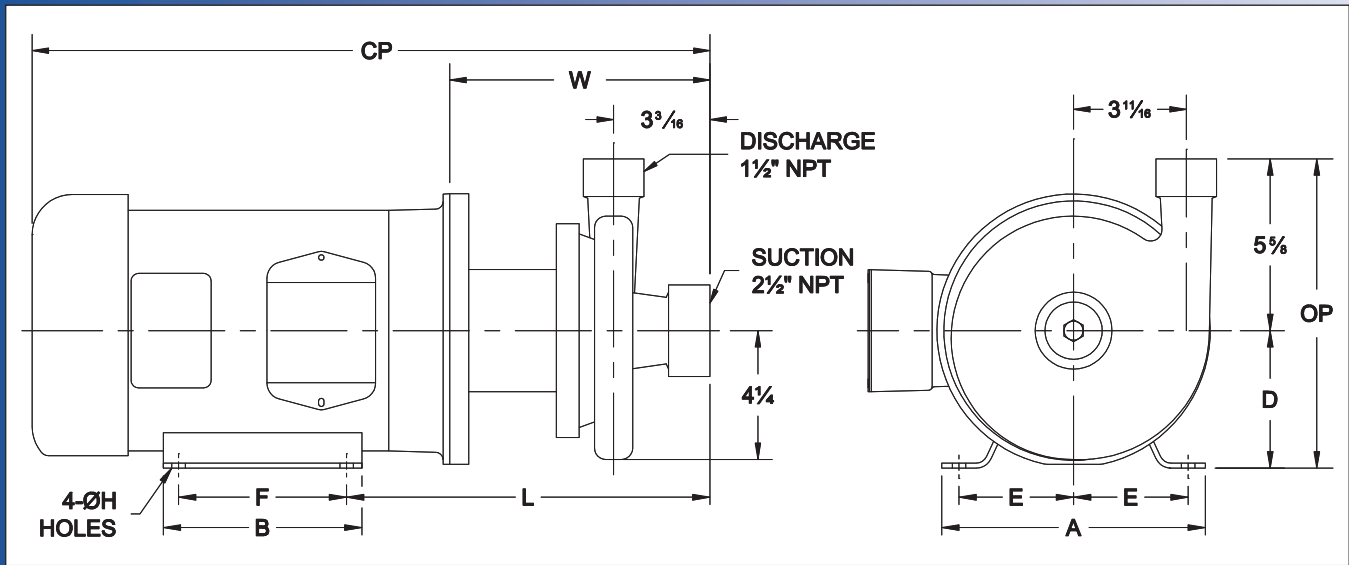
FAX (414) 643-4452

Ampco Centrifugal Pumps

DATA SHEET



MODEL IC+ 216 2½ X 1½



TEFC MOTOR			DIMENSIONS IN INCHES (For Reference Only)										APPROX WEIGHT (LBS)
HP	RPM	FRAME	A (typ)	B (typ)	D	E	F	ØH	L	W	CP	OP	
1/2	1750	56C	6-9/16	4-1/4	3-1/2	2-7/16	3	7/16	11-15/16	9-3/16	18-7/16	9-1/8	49
3/4	1750	56C	6-9/16	4-1/4	3-1/2	2-7/16	3	7/16	11-15/16	9-3/16	18-7/16	9-1/8	53
1	1750	56C	6-9/16	4-1/4	3-1/2	2-7/16	3	7/16	11-15/16	9-3/16	18-7/16	9-1/8	58
1-1/2	1750	56C	6-9/16	4-1/4	3-1/2	2-7/16	3	7/16	11-15/16	9-3/16	18-7/16	9-1/8	62
1-1/2	1750	145TC	6-1/2	6	3-1/2	2-3/4	5	11/32	11-15/16	9-3/16	20-7/16	9-1/8	72
2	1750	145TC	6-1/2	6	3-1/2	2-3/4	5	11/32	11-15/16	9-3/16	20-7/16	9-1/8	75
3	1750	182TC	8-5/8	6-1/2	4-1/2	3-3/4	4-1/2	13/16	13-5/16	9-13/16	23-9/16	10-1/8	104
3	3500	145TC	6-1/2	6	3-1/2	2-3/4	5	11/32	11-15/16	9-3/16	20-7/16	9-1/8	83
5	3500	184TC	8-5/8	6-1/2	4-1/2	3-3/4	5-1/2	13/32	13-5/16	9-13/16	24-15/16	10-1/8	106
7-1/2	3500	184TC	8-5/8	6-1/2	4-1/2	3-3/4	5-1/2	13/32	17-3/16	9-13/16	24-15/16	10-1/8	124
7-1/2	3500	213TC	9-1/2	8	5-1/4	4-1/4	5-1/2	13/32	15-3/16	10-15/16	26-3/16	10-7/8	128
10	3500	215TC	9-1/2	8	5-1/4	4-1/4	7	13/32	15-3/16	10-15/16	27-15/16	10-7/8	161
15	3500	215TC	9-1/2	8	5-1/4	4-1/4	7	13/32	15-3/16	10-15/16	27-15/16	10-7/8	201
20	3500	256TC	11-1/2	11-1/2	6-1/4	5	10	17/32	16-5/16	11-9/16	31-5/16	11-7/8	308

MATERIAL SPECIFICATIONS

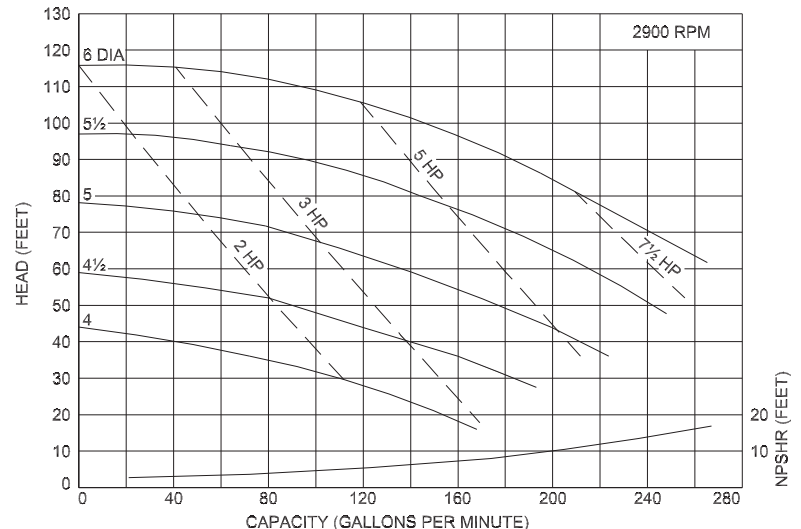
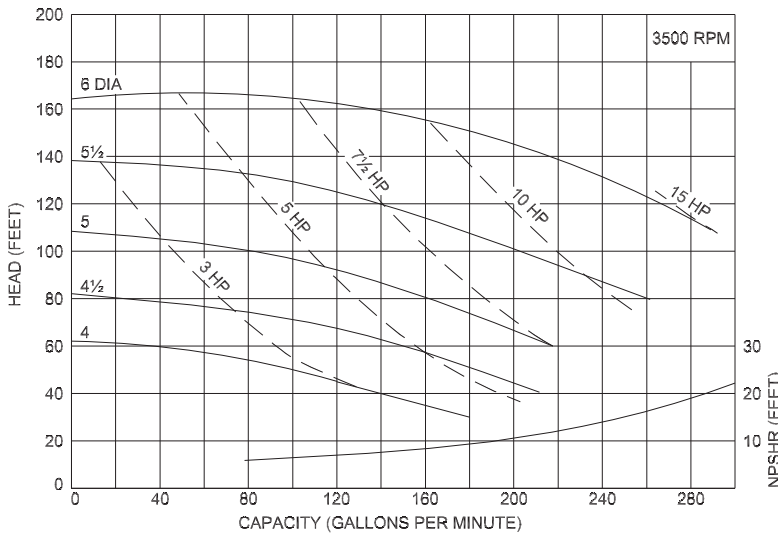
PART NAME	STAINLESS STEEL
Casing	316L Stainless
Backplate, Impeller, Stub Shaft	316 Stainless
Adapter	304 Stainless



Ampco Centrifugal Pumps

MODEL IC+ 216 2¹/₂ X 1¹/₂

Curves show approximate characteristics
based on clear 68° water.
Rated point is guaranteed.



IC+ Series pumps have standard NPT connections.

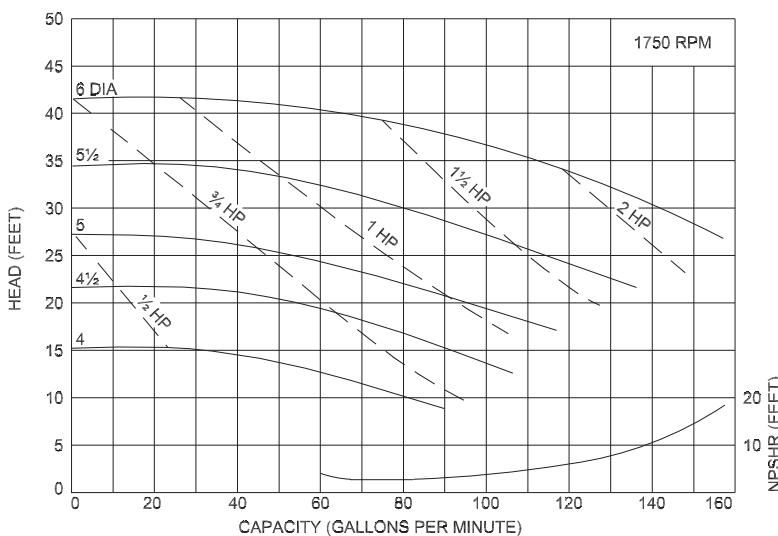
Flange connections are optional.

IC+ pumps are constructed of 316L stainless steel with a glass beaded finish.

The standard IC+ mechanical seal is a Type 21 with a ceramic seat, carbon rotating element.

Buna-N elastomers and 316 SS metallics.

Contact the factory for other seal material options.



Ampco Pumps Company

2045 West Mill Road
Glendale, Wisconsin 53209

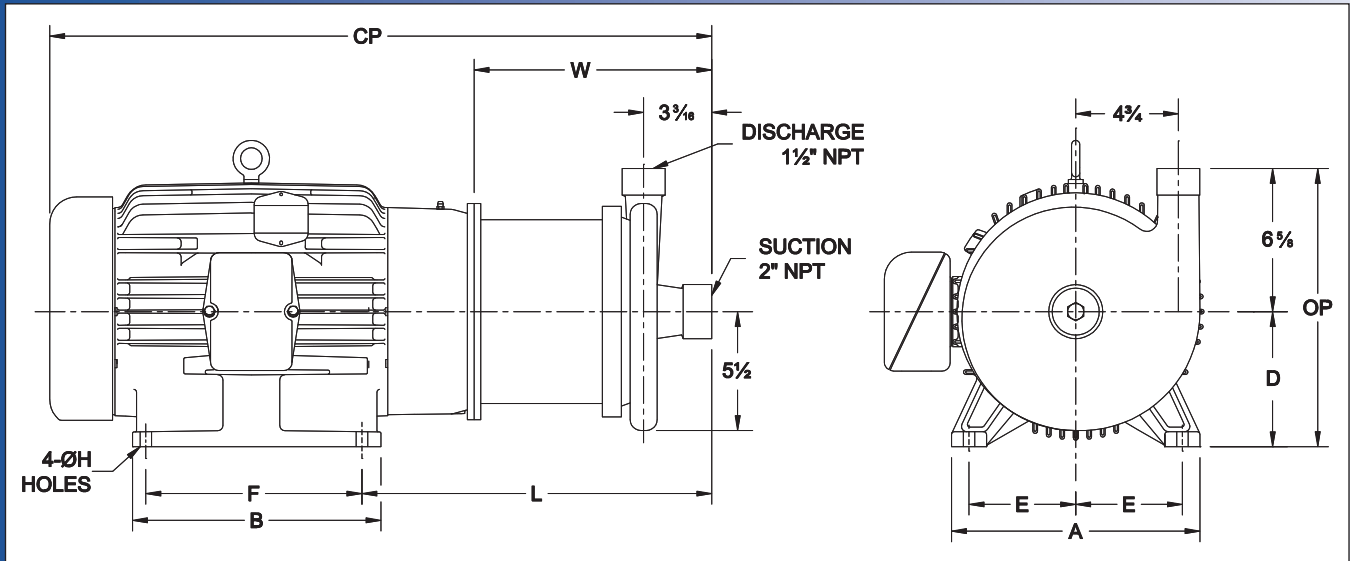
PHONE (414) 643-1852

FAX (414) 643-4452

Ampco Centrifugal Pumps

DATA SHEET

MODEL IC+ 218 2X1 1/2



TEFC MOTOR			DIMENSIONS IN INCHES (For Reference Only)										APPROX WEIGHT (LBS)
HP	RPM	FRAME	A (typ)	B (typ)	D	E	F	ØH	L	W	CP	OP	
1-1/2	1750	145TC	6-1/2	6	3-1/2	2-3/4	5	11/32	12-3/16	9-7/16	20-11/16	10-1/8	88
2	1750	145TC	6-1/2	6	3-1/2	2-3/4	5	11/32	12-3/16	9-7/16	20-11/16	10-1/8	91
3	1750	182TC	8-5/8	6-1/2	4-1/2	3-3/4	4-1/2	13/16	13-9/16	10-1/16	23-13/16	11-1/8	121
5	1750	184TC	8-5/8	6-1/2	4-1/2	3-3/4	5-1/2	13/16	13-9/16	10-1/16	25-3/16	11-1/8	128
7-1/2	1750	213TC	9-1/2	8	5-1/4	4-1/4	5-1/2	13/32	14-11/16	10-7/16	25-11/16	11-7/8	182
5	3500	184TC	8-5/8	6-1/2	4-1/2	3-3/4	5-1/2	13/32	13-9/16	10-1/16	25-3/16	11-1/8	123
7-1/2	3500	184TC	8-5/8	6-1/2	4-1/2	3-3/4	5-1/2	13/32	13-9/16	10-1/16	25-3/16	11-1/8	141
7-1/2	3500	213TC	9-1/2	8	5-1/4	4-1/4	5-1/2	13/32	14-11/16	10-7/16	25-11/16	11-7/8	145
10	3500	215TC	9-1/2	8	5-1/4	4-1/4	7	13/32	14-11/16	10-7/16	27-7/16	11-7/8	178
15	3500	215TC	9-1/2	8	5-1/4	4-1/4	7	13/32	14-11/16	10-7/16	27-7/16	11-7/8	218
20	3500	256TC	11-1/2	11-1/2	6-1/4	5	10	17/32	16-1/16	11-5/16	31-11/16	12-7/8	326
25	3500	284TSC	12-3/4	12-3/4	7	5-1/2	9-1/2	17/32	16-11/16	11-5/16	35-5/8	13-5/8	418
30	3500	286TSC	12-3/4	12-3/4	7	5-1/2	11	17/32	16-11/16	11-5/16	35-5/8	13-5/8	440

MATERIAL SPECIFICATIONS

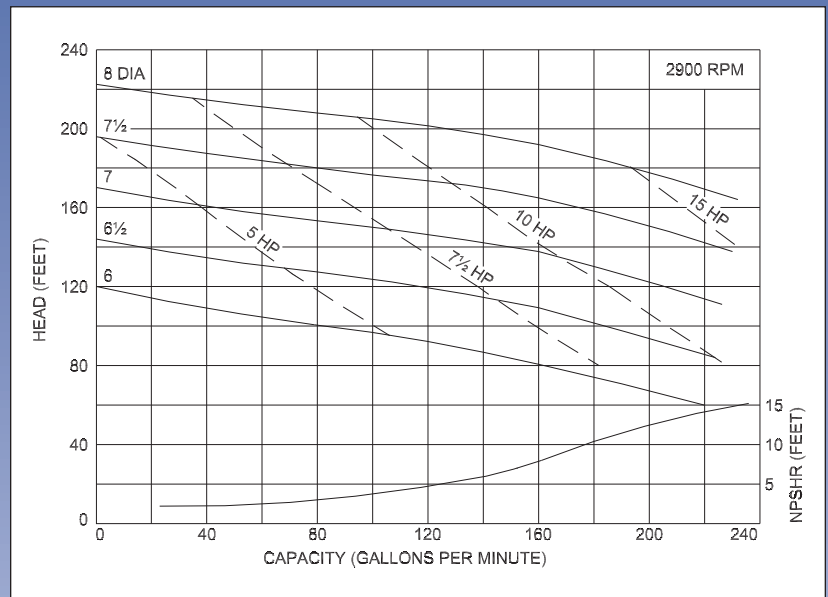
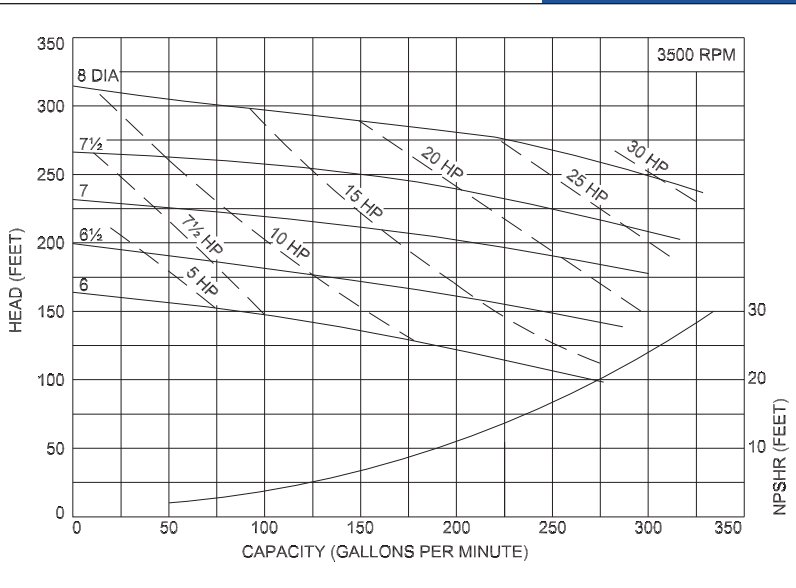
PART NAME	STAINLESS STEEL
Casing	316L Stainless
Backplate, Impeller, Stub Shaft	316 Stainless
Adapter	304 Stainless



Ampco Centrifugal Pumps

MODEL IC+ 218 2X1 1/2

Curves show approximate characteristics
based on clear 68° water.
Rated point is guaranteed.



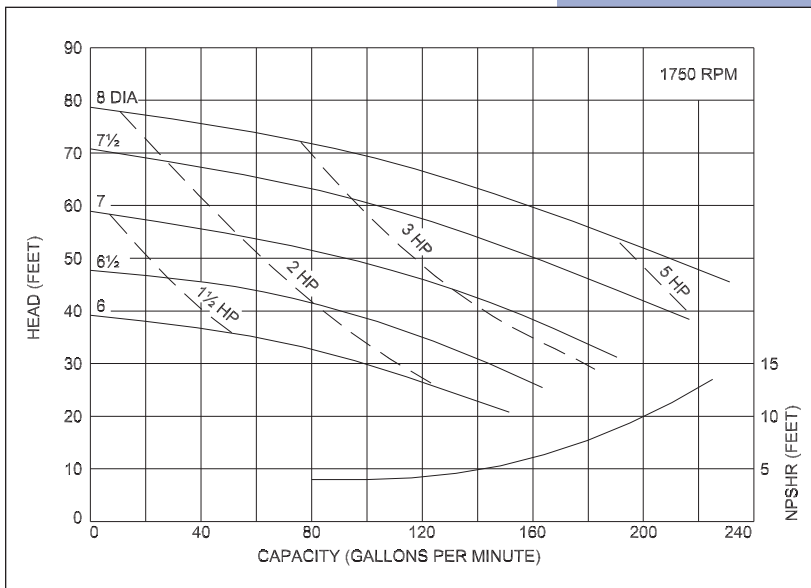
IC+ Series pumps have standard NPT connections.

Flange connections are optional.

IC+ pumps are constructed of 316L stainless steel
with a glass beaded finish.

The standard IC+ mechanical seal is a Type 21
with a ceramic seat, carbon rotating element.
Buna-N elastomers and 316 SS metallics.

Contact the factory for other seal
material options.



Ampco Pumps Company

2045 West Mill Road
Glendale, Wisconsin 53209

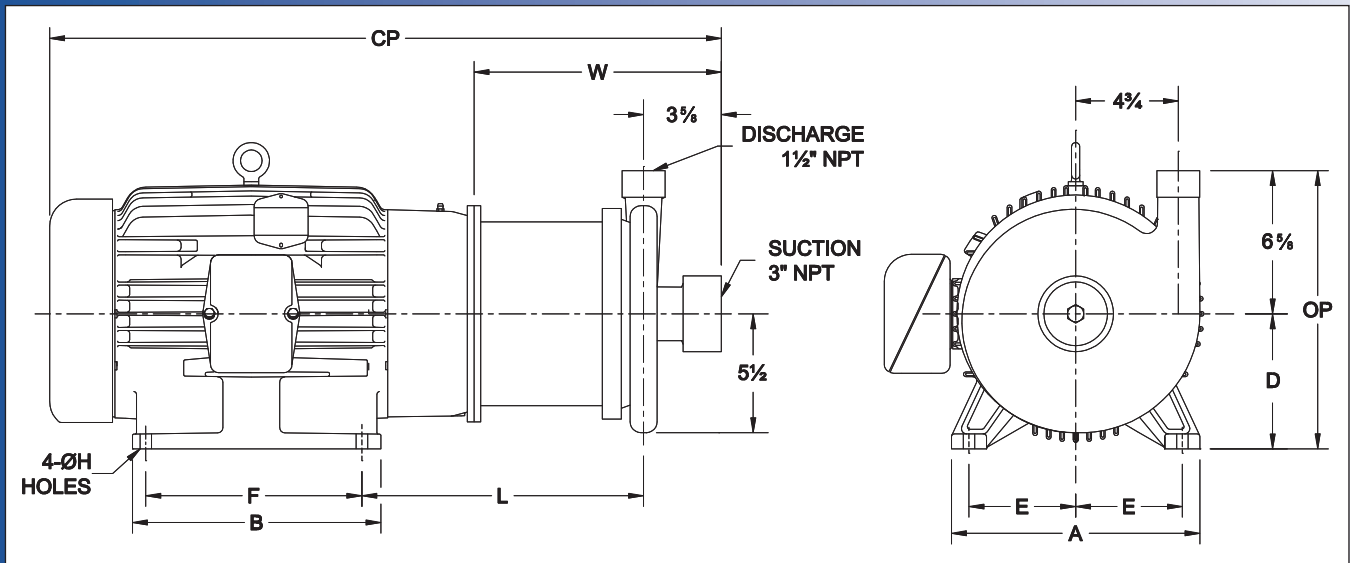
PHONE (414) 643-1852

FAX (414) 643-4452

Ampco Centrifugal Pumps

DATA SHEET

MODEL IC+ 218 3X1 1/2



TEFC MOTOR			DIMENSIONS IN INCHES (For Reference Only)										APPROX WEIGHT (LBS)
HP	RPM	FRAME	A (typ)	B (typ)	D	E	F	ØH	L	W	CP	OP	
1-1/2	1750	145TC	6-1/2	6	3-1/2	2-3/4	5	11/32	12-21/32	9-29/32	21-5/32	10-1/8	88
2	1750	145TC	6-1/2	6	3-1/2	2-3/4	5	11/32	12-21/32	9-29/32	21-5/32	10-1/8	91
3	1750	182TC	8-5/8	6-1/2	4-1/2	3-3/4	4-1/2	13/16	14-1/32	10-17/32	24-9/32	11-1/8	121
5	1750	184TC	8-5/8	6-1/2	4-1/2	3-3/4	5-1/2	13/16	14-1/32	10-17/32	25-21/32	11-1/8	128
7-1/2	1750	213TC	9-1/2	8	5-1/4	4-1/4	5-1/2	13/32	15-5/32	10-29/32	26-5/32	11-7/8	182
5	3500	184TC	8-5/8	6-1/2	4-1/2	3-3/4	5-1/2	13/32	14-1/32	10-17/32	25-21/32	11-1/8	123
7-1/2	3500	184TC	8-5/8	6-1/2	4-1/2	3-3/4	5-1/2	13/32	14-1/32	10-17/32	25-21/32	11-1/8	141
7-1/2	3500	213TC	9-1/2	8	5-1/4	4-1/4	5-1/2	13/32	15-5/32	10-29/32	26-5/32	11-7/8	145
10	3500	215TC	9-1/2	8	5-1/4	4-1/4	7	13/32	15-5/32	10-29/32	27-29/32	11-7/8	178
15	3500	215TC	9-1/2	8	5-1/4	4-1/4	7	13/32	15-5/32	10-29/32	27-29/32	11-7/8	218
20	3500	256TC	11-1/2	11-1/2	6-1/4	5	10	17/32	16-17/32	11-25/32	32-5/32	12-7/8	326
25	3500	284TSC	12-3/4	12-3/4	7	5-1/2	9-1/2	17/32	17-5/32	11-25/32	36-3/32	13-5/8	418
30	3500	286TSC	12-3/4	12-3/4	7	5-1/2	11	17/32	17-5/32	11-25/32	36-3/32	13-5/8	440

MATERIAL SPECIFICATIONS

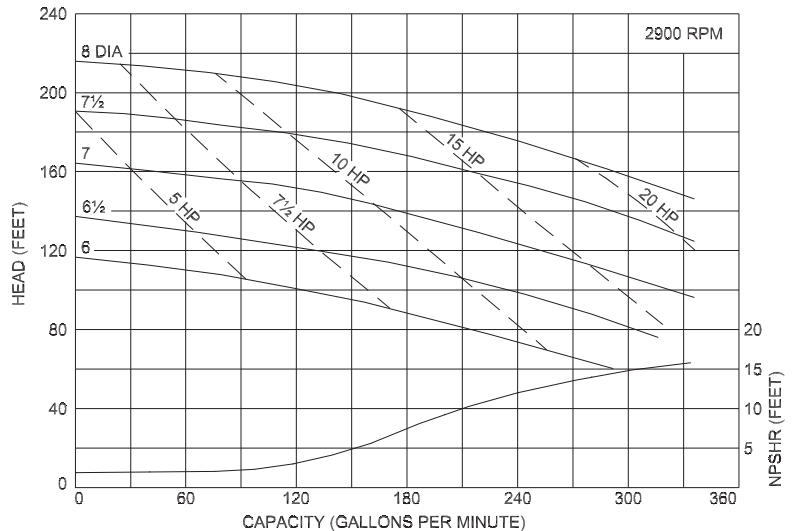
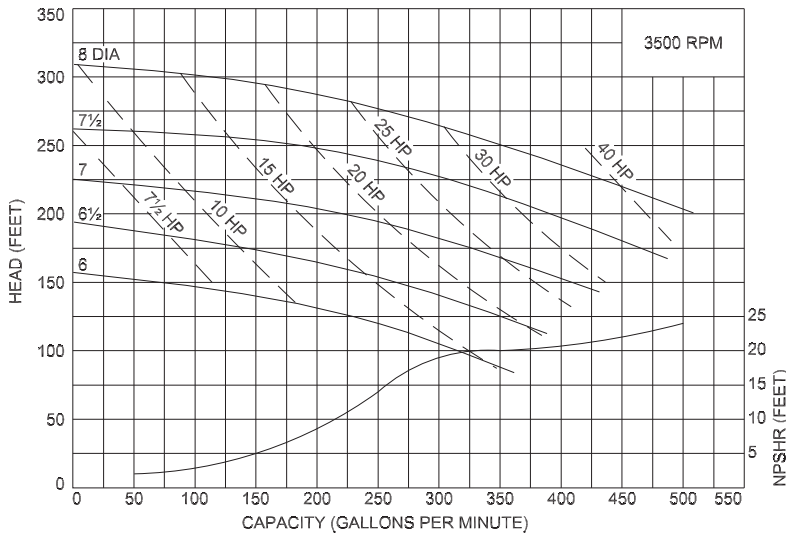
PART NAME	STAINLESS STEEL
Casing	316L Stainless
Backplate, Impeller, Stub Shaft	316 Stainless
Adapter	304 Stainless



Ampco Centrifugal Pumps

MODEL IC+ 218 3X1¹/₂

Curves show approximate characteristics
based on clear 68° water.
Rated point is guaranteed.



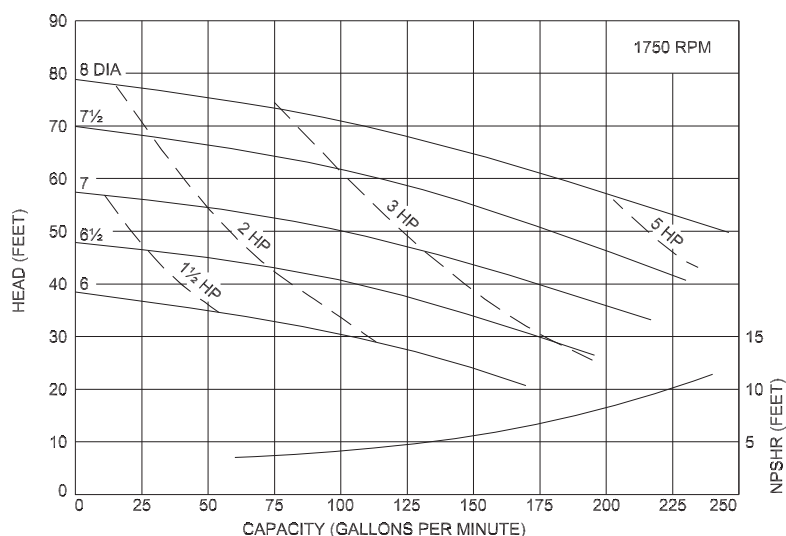
IC+ Series pumps have standard NPT connections.

Flange connections are optional.

IC+ pumps are constructed of 316L stainless steel
with a glass beaded finish.

The standard IC+ mechanical seal is a Type 21
with a ceramic seat, carbon rotating element.
Buna-N elastomers and 316 SS metallics.

Contact the factory for other seal
material options.



Ampco Pumps Company

2045 West Mill Road
Glendale, Wisconsin 53209

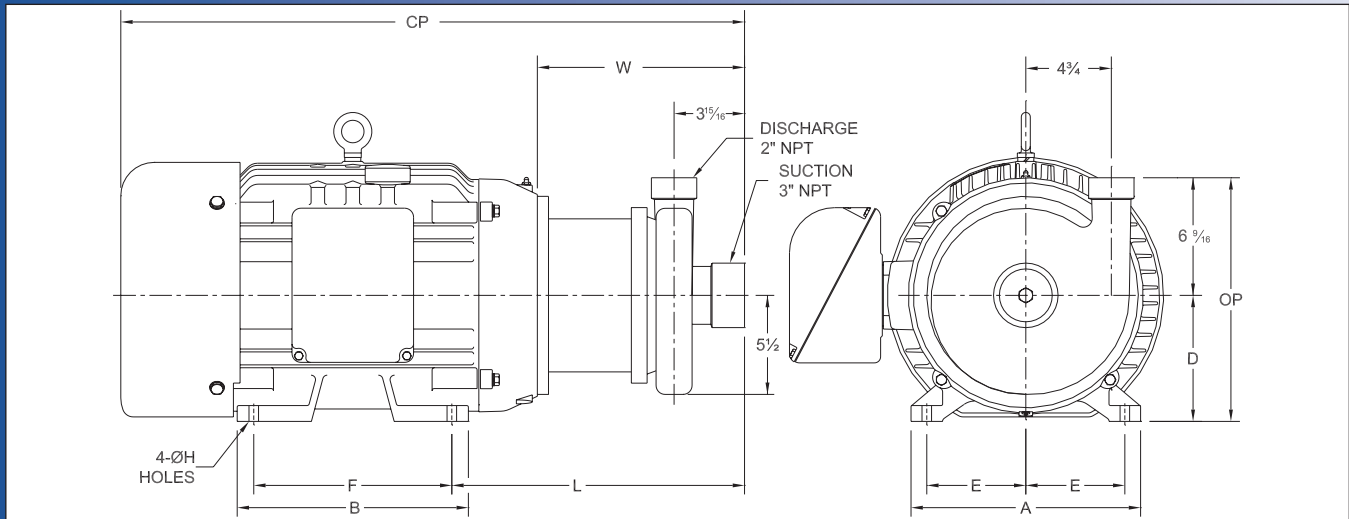
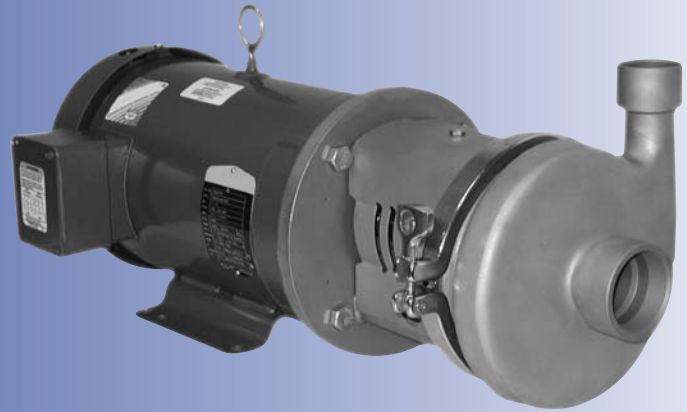
PHONE (414) 643-1852

FAX (414) 643-4452

Ampco Centrifugal Pumps

DATA SHEET

MODEL IC+ 328 3X2



TEFC MOTOR			DIMENSIONS IN INCHES (For Reference Only)										APPROX WEIGHT (LBS)
HP	RPM	FRAME	A (typ)	B (typ)	D	E	F	ØH	L	W	CP	OP	
2	1750	145TC	6-1/2	6	3-1/2	2-3/4	5	11/32	13-1/4	10-1/2	21-1/8	10-1/32	97
3	1750	182TC	8-5/8	6-1/2	4-1/2	3-3/4	4-1/2	13/16	17-5/8	11-1/8	24-1/4	11-1/32	124
5	1750	184TC	8-5/8	6-1/2	4-1/2	3-3/4	5-1/2	13/16	17-5/8	11-1/8	25-5/8	11-1/32	131
7-1/2	1750	213TC	9-1/2	8	5-1/4	4-1/4	5-1/2	13/32	15-3/4	11-1/2	26-1/8	11-25/32	183
10	1750	215TC	9-1/2	8	5-1/4	4-1/4	7	13/32	15-3/4	11-1/2	27-7/8	11-25/32	193
5	3500	184TC	8-5/8	6-1/2	4-1/2	3-3/4	5-1/2	13/32	14-5/8	11-1/8	25-5/8	11-1/32	126
7-1/2	3500	184TC	8-5/8	6-1/2	4-1/2	3-3/4	5-1/2	13/32	14-5/8	11-1/8	25-5/8	11-1/32	144
7-1/2	3500	213TC	9-1/2	8	5-1/4	4-1/4	5-1/2	13/32	15-3/4	11-1/2	26-1/8	11-25/32	146
10	3500	215TC	9-1/2	8	5-1/4	4-1/4	7	13/32	15-3/4	11-1/2	27-7/8	11-25/32	179
15	3500	215TC	9-1/2	8	5-1/4	4-1/4	7	13/32	15-3/4	11-1/2	27-7/8	11-25/32	219
20	3500	256TC	11-1/2	11-1/2	6-1/4	5	10	17/32	17-1/8	12-3/8	30	12-25/32	328
25	3500	284TSC	12-3/4	12-3/4	7	5-1/2	9-1/2	17/32	17-3/4	13	32-3/4	13-17/32	420
30	3500	286TSC	12-3/4	12-3/4	7	5-1/2	11	17/32	17-3/4	13	36-1/8	13-17/32	442
40	3500	324TSC	14-1/2	14	8	6-1/4	10-1/2	21/32	18-13/16	13-9/16	36-1/16	14-17/32	549
50	3500	326TSC	14-1/2	14	8	6-1/4	12	21/32	18-13/16	13-9/16	37-11/16	14-17/32	651

MATERIAL SPECIFICATIONS

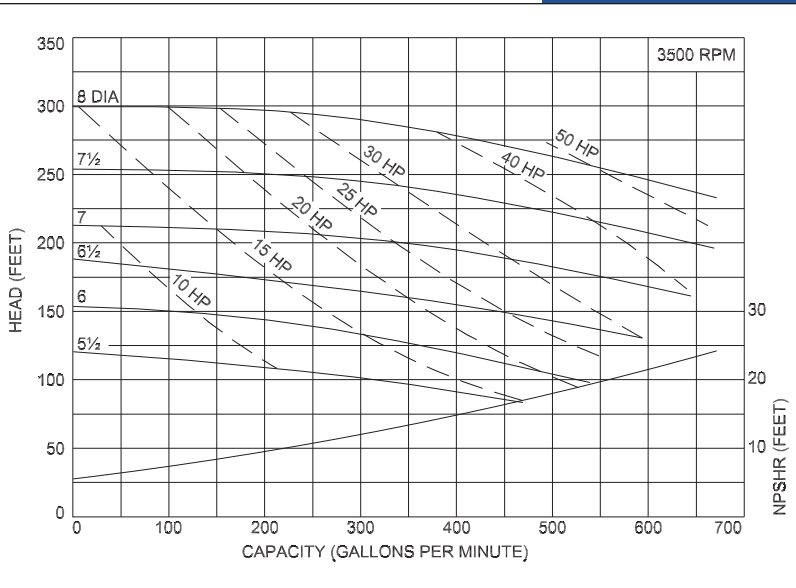
PART NAME	STAINLESS STEEL
Casing	316L Stainless
Backplate, Impeller, Stub Shaft	316 Stainless
Adapter	304 Stainless



Ampco Centrifugal Pumps

MODEL IC+ 328 3X2

Curves show approximate characteristics
based on clear 68° water.
Rated point is guaranteed.



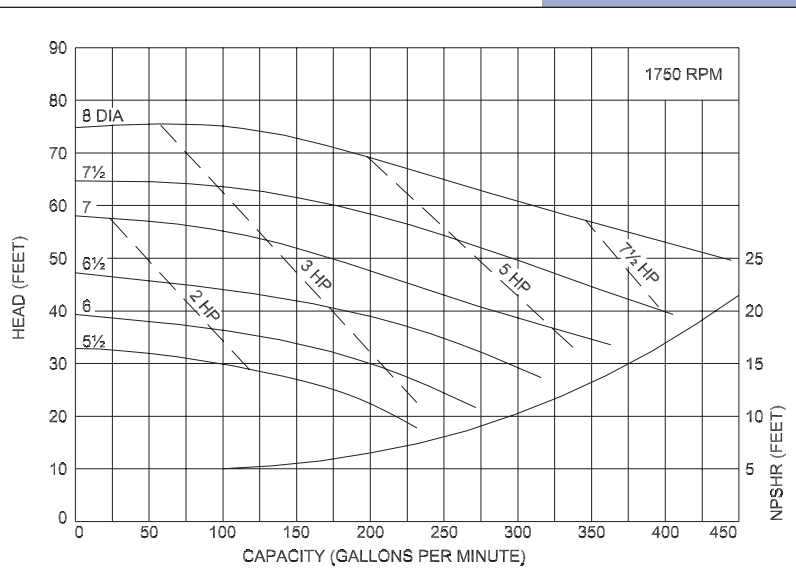
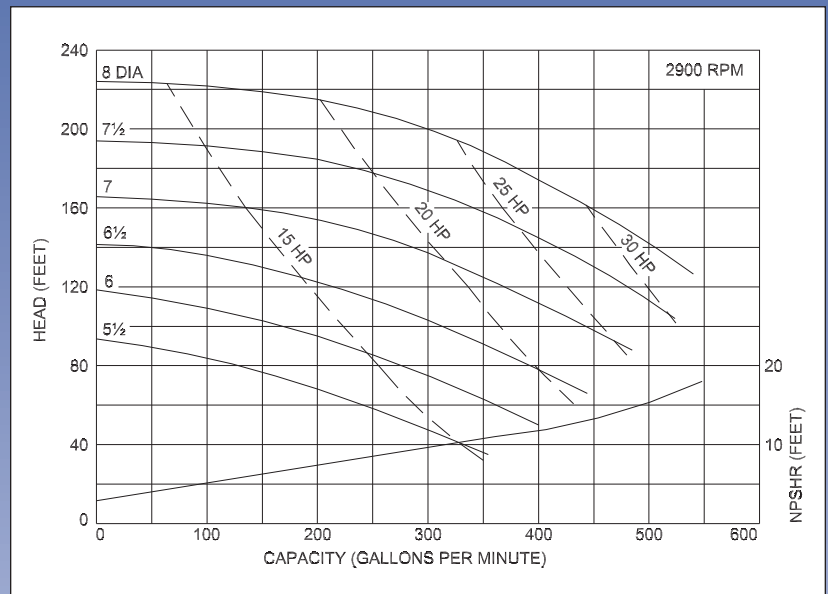
IC+ Series pumps have standard NPT connections.

Flange connections are optional.

IC+ pumps are constructed of 316L stainless steel
with a glass beaded finish.

The standard IC+ mechanical seal is a Type 21
with a ceramic seat, carbon rotating element.
Buna-N elastomers and 316 SS metalics.

Contact the factory for other seal
material options.



Ampco Pumps Company

2045 West Mill Road
Glendale, Wisconsin 53209

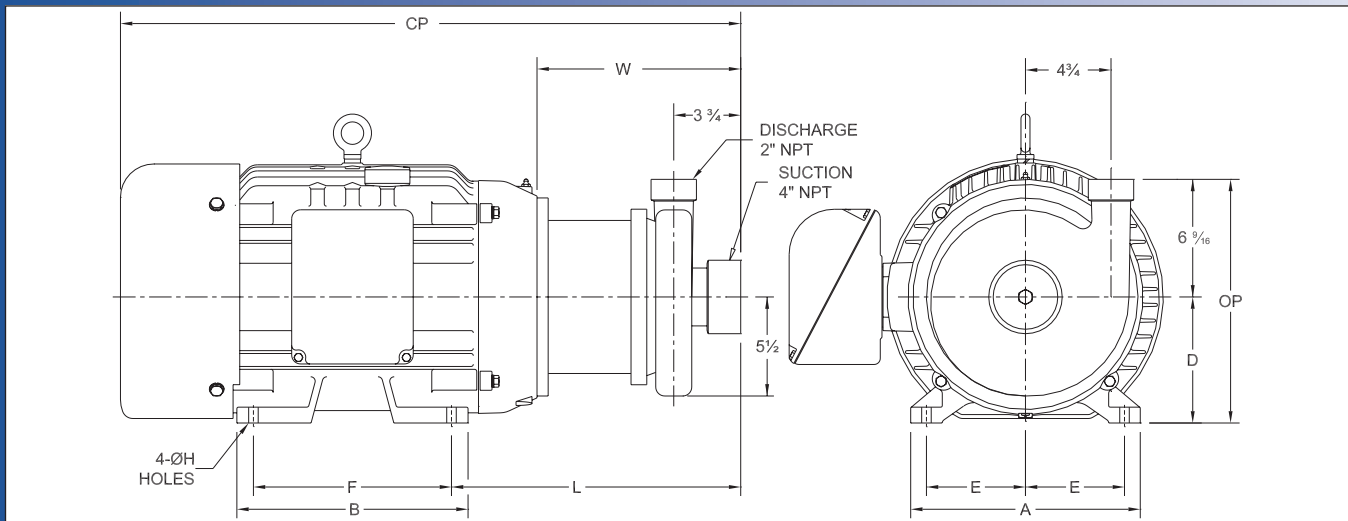
PHONE (414) 643-1852

FAX (414) 643-4452

Ampco Centrifugal Pumps

DATA SHEET

MODEL IC+ 328 4X2



TEFC MOTOR			DIMENSIONS IN INCHES (For Reference Only)										APPROX WEIGHT (LBS)
HP	RPM	FRAME	A (typ)	B (typ)	D	E	F	ØH	L	W	CP	OP	
2	1750	145TC	6-1/2	6	3-1/2	2-3/4	5	11/32	13-1/16	10-5/16	20-15/16	10-1/32	97
3	1750	182TC	8-5/8	6-1/2	4-1/2	3-3/4	4-1/2	13/16	17-7/16	10-15/16	24-1/16	11-1/32	124
5	1750	184TC	8-5/8	6-1/2	4-1/2	3-3/4	5-1/2	13/16	17-7/16	10-15/16	25-7/16	11-1/32	131
7-1/2	1750	213TC	9-1/2	8	5-1/4	4-1/4	5-1/2	13/32	15-9/16	11-5/16	25-15/16	11-25/32	183
10	1750	215TC	9-1/2	8	5-1/4	4-1/4	7	13/32	15-9/16	11-5/16	27-11/16	11-25/32	193
5	3500	184TC	8-5/8	6-1/2	4-1/2	3-3/4	5-1/2	13/32	14-7/16	10-15/16	25-7/16	11-1/32	126
7-1/2	3500	184TC	8-5/8	6-1/2	4-1/2	3-3/4	5-1/2	13/32	14-7/16	10-15/16	25-7/16	11-1/32	144
7-1/2	3500	213TC	9-1/2	8	5-1/4	4-1/4	5-1/2	13/32	15-9/16	11-5/16	25-15/16	11-25/32	146
10	3500	215TC	9-1/2	8	5-1/4	4-1/4	7	13/32	15-9/16	11-5/16	27-11/16	11-25/32	179
15	3500	215TC	9-1/2	8	5-1/4	4-1/4	7	13/32	15-9/16	11-5/16	27-11/16	11-25/32	219
20	3500	256TC	11-1/2	11-1/2	6-1/4	5	10	17/32	16-15/16	12-3/16	29-13/16	12-25/32	328
25	3500	284TSC	12-3/4	12-3/4	7	5-1/2	9-1/2	17/32	17-9/16	12-13/16	32-9/16	13-17/32	420
30	3500	286TSC	12-3/4	12-3/4	7	5-1/2	11	17/32	17-9/16	12-13/16	35-15/16	13-17/32	442
40	3500	324TSC	14-1/2	14	8	6-1/4	10-1/2	21/32	18-5/8	13-3/8	35-7/8	14-17/32	549
50	3500	326TSC	14-1/2	14	8	6-1/4	12	21/32	18-5/8	13-3/8	37-1/2	14-17/32	651

MATERIAL SPECIFICATIONS

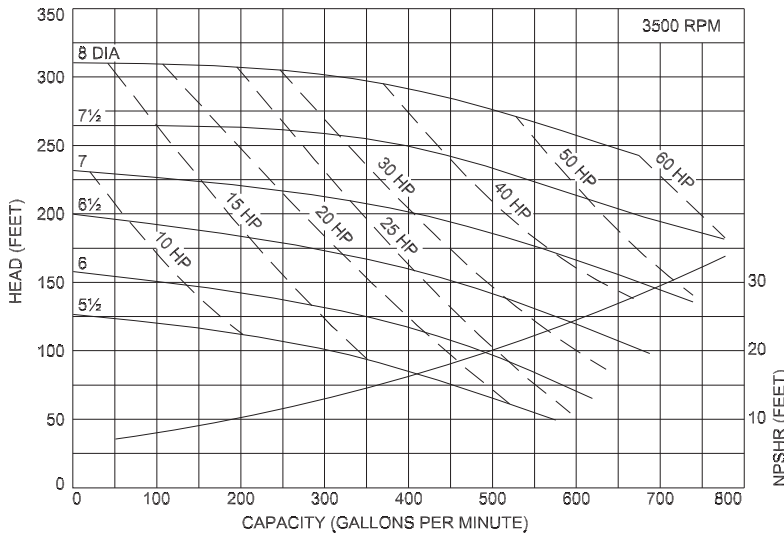
PART NAME	STAINLESS STEEL
Casing	316L Stainless
Backplate, Impeller, Stub Shaft	316 Stainless
Adapter	304 Stainless



Ampco Centrifugal Pumps

MODEL IC+ 328 4X2

Curves show approximate characteristics
based on clear 68° water.
Rated point is guaranteed.



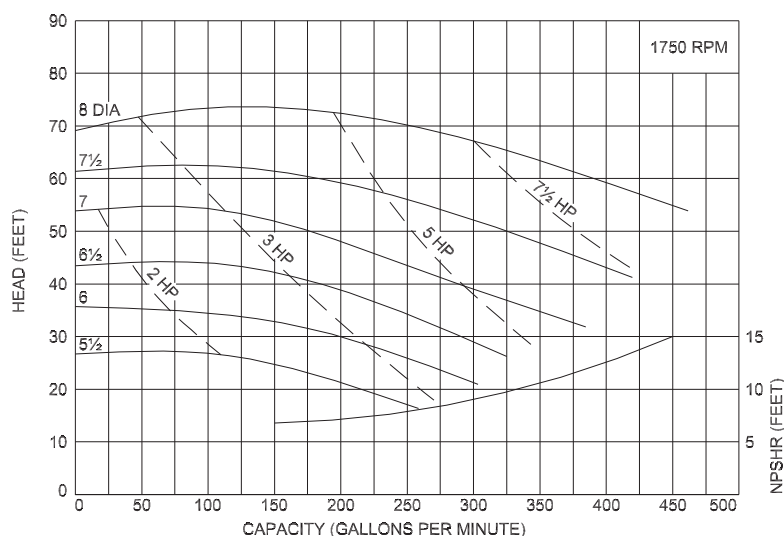
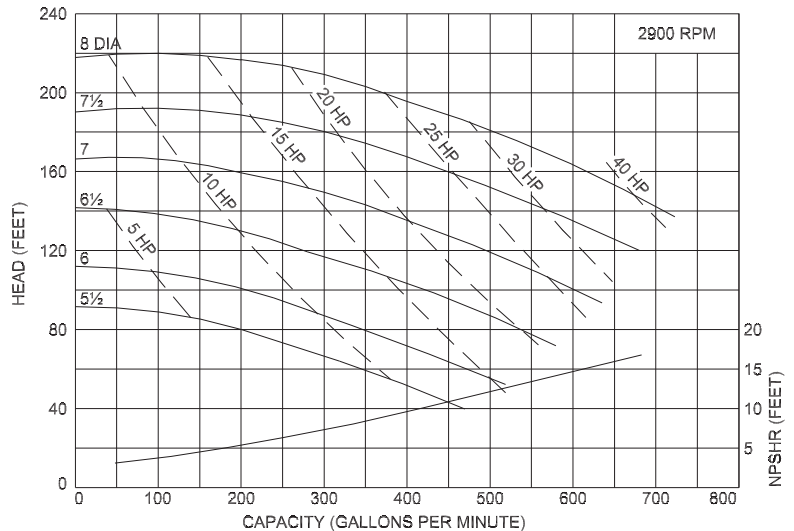
IC+ Series pumps have standard NPT connections.

Flange connections are optional.

IC+ pumps are constructed of 316L stainless steel
with a glass beaded finish.

The standard IC+ mechanical seal is a Type 21
with a ceramic seat, carbon rotating element.
Buna-N elastomers and 316 SS metallics.

Contact the factory for other seal
material options.



Ampco Pumps Company

2045 West Mill Road
Glendale, Wisconsin 53209

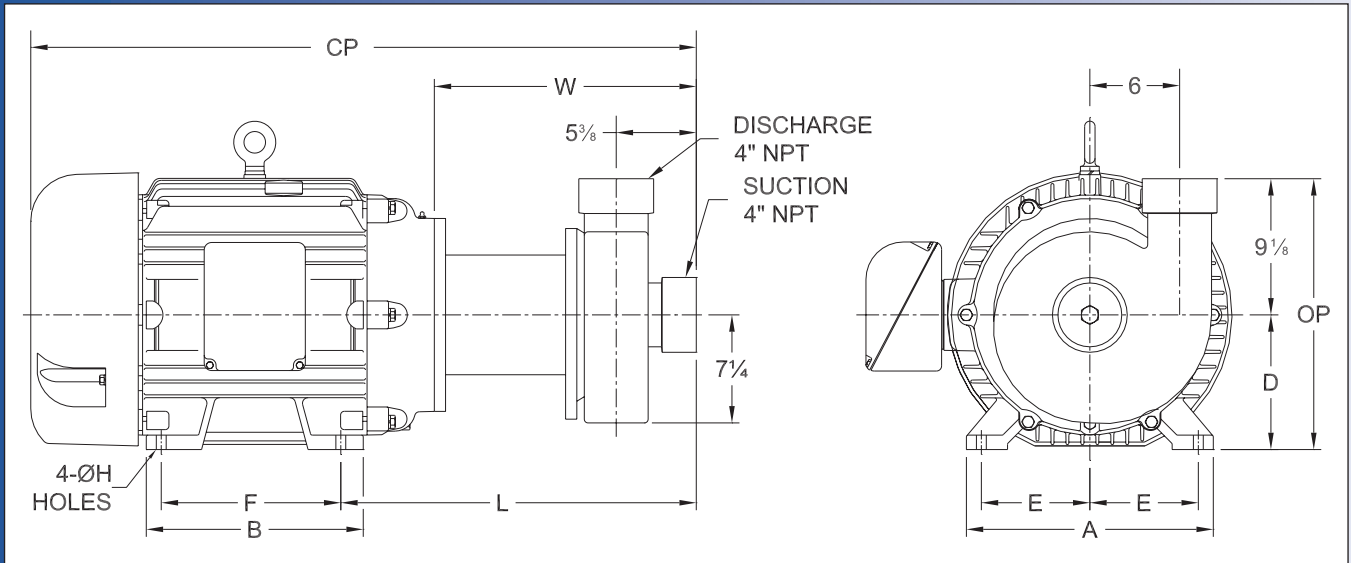
PHONE (414) 643-1852

FAX (414) 643-4452

Ampco Centrifugal Pumps

DATA SHEET

MODEL IC+ 4410 4X4



TEFC MOTOR			DIMENSIONS IN INCHES (For Reference Only)										APPROX WEIGHT (LBS)
HP	RPM	FRAME	A (typ)	B (typ)	D	E	F	ØH	L	W	CP	OP	
7-1/2	1750	213TC	9-1/2	8	5-1/4	4-1/4	5-1/2	13/32	19-3/8	15-1/8	30-3/8	14-3/8	230
10	1750	215TC	9-1/2	8	5-1/4	4-1/4	7	13/32	19-3/8	15-1/8	32-1/8	14-3/8	240
15	1750	254TC	11-1/2	11-1/2	6-1/4	5	8-1/4	17/32	19-7/8	15-1/8	32-3/4	15-3/8	358
20	1750	256TC	11-1/2	11-1/2	6-1/4	5	10	17/32	19-7/8	15-1/8	34-7/8	15-3/8	381
25	1750	284TC	12-3/4	12-3/4	7	5-1/2	9-1/2	17/32	20-1/2	15-3/4	38-9/16	16-1/8	514
30	1750	286TC	12-3/4	12-3/4	7	5-1/2	11	17/32	20-1/2	15-3/4	38-9/16	16-1/8	525
20	3500	256TC	11-1/2	11-1/2	6-1/4	5	10	17/32	19-7/8	15-1/8	34-7/8	15-3/8	375
25	3500	284TSC	12-3/4	12-3/4	7	5-1/2	9-1/2	17/32	20-1/2	15-3/4	38-9/16	16-1/8	474
30	3500	286TSC	12-3/4	12-3/4	7	5-1/2	11	17/32	20-1/2	15-3/4	38-9/16	16-1/8	496
40	3500	324TSC	14-1/2	14	8	6-1/4	10-1/2	21/32	22-3/4	17-1/2	40-5/16	17-1/8	617
50	3500	326TSC	14-1/2	14	8	6-1/4	12	21/32	22-3/4	17-1/2	40-5/16	17-1/8	726
60	3500	364TSC	16-1/2	14-1/2	9	7	11-1/4	21/32	23-3/8	17-1/2	42-9/16	18-1/8	867
75	3500	365TSC	16-1/2	14-1/2	9	7	12-1/4	21/32	23-3/8	17-1/2	42-9/16	18-1/8	893

MATERIAL SPECIFICATIONS

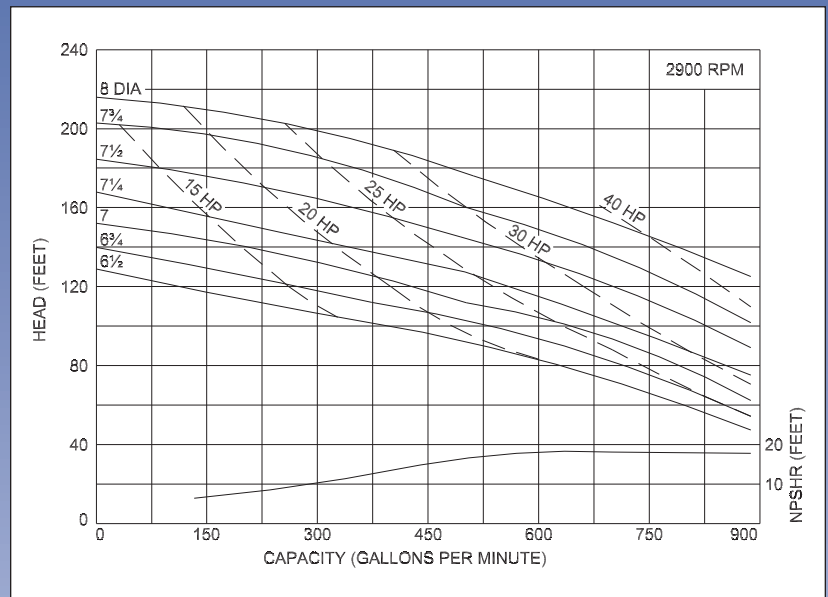
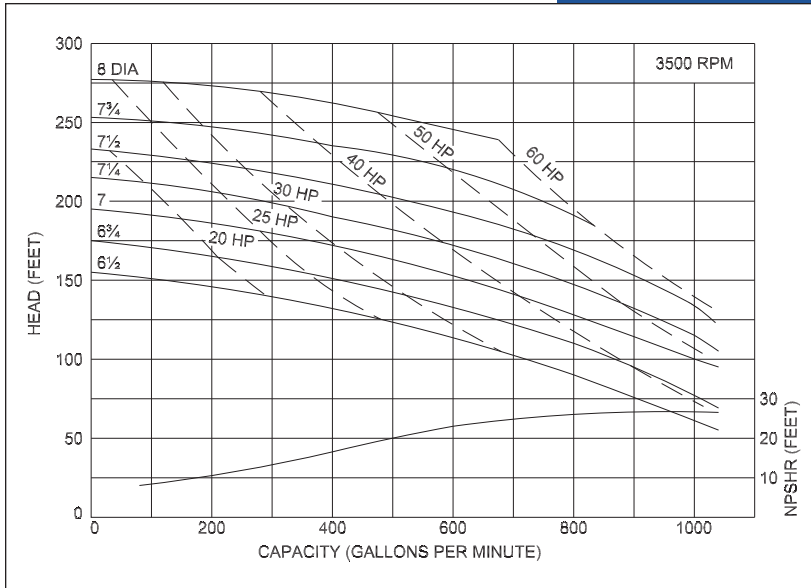
PART NAME	STAINLESS STEEL
Casing	316L Stainless
Backplate, Impeller, Stub Shaft	316 Stainless
Adapter	304 Stainless



Ampco Centrifugal Pumps

MODEL IC+ 4410 4X4

Curves show approximate characteristics
based on clear 68° water.
Rated point is guaranteed.



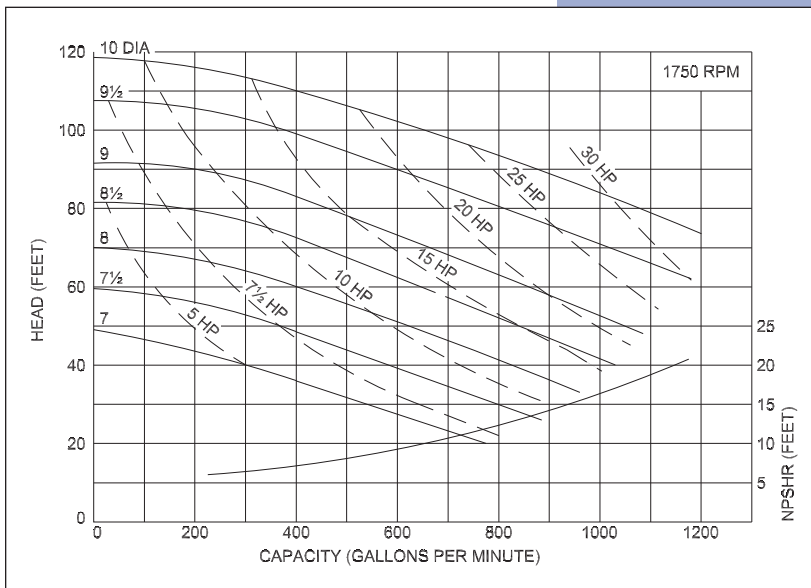
IC+ Series pumps have standard NPT connections.

Flange connections are optional.

IC+ pumps are constructed of 316L stainless steel
with a glass beaded finish.

The standard IC+ mechanical seal is a Type 21
with a ceramic seat, carbon rotating element.
Buna-N elastomers and 316 SS metallics.

Contact the factory for other seal
material options.



Ampco Pumps Company

2045 West Mill Road
Glendale, Wisconsin 53209

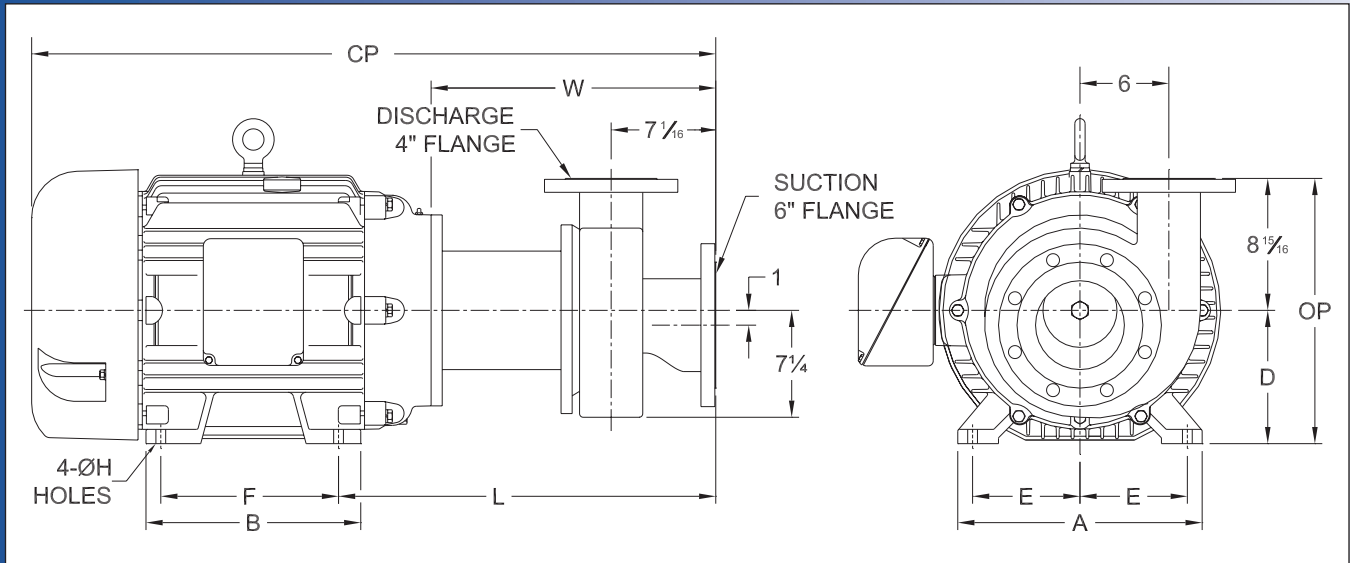
PHONE (414) 643-1852

FAX (414) 643-4452

Ampco Centrifugal Pumps

DATA SHEET

MODEL IC+ 4410 6X4



TEFC MOTOR			DIMENSIONS IN INCHES (For Reference Only)										APPROX WEIGHT (LBS)
HP	RPM	FRAME	A (typ)	B (typ)	D	E	F	ØH	L	W	CP	OP	
7-1/2	1750	213TC	9-1/2	8	5-1/4	4-1/4	5-1/2	13/32	21-1/16	16-13/16	32-13/16	14-3/16	230
10	1750	215TC	9-1/2	8	5-1/4	4-1/4	7	13/32	21-1/16	16-13/16	33-13/16	14-3/16	240
15	1750	254TC	11-1/2	11-1/2	6-1/4	5	8-1/4	17/32	21-9/16	16-13/16	34-7/16	15-3/16	358
20	1750	256TC	11-1/2	11-1/2	6-1/4	5	10	17/32	21-9/16	16-13/16	36-9/16	15-3/16	381
25	1750	284TC	12-3/4	12-3/4	7	5-1/2	9-1/2	17/32	22-3/16	17-7/16	40-1/4	15-15/16	514
30	1750	286TC	12-3/4	12-3/4	7	5-1/2	11	17/32	22-3/16	17-7/16	40-1/4	15-15/16	525
20	3500	256TC	11-1/2	11-1/2	6-1/4	5	10	17/32	21-9/16	16-13/16	36-9/16	15-3/16	375
25	3500	284TSC	12-3/4	12-3/4	7	5-1/2	9-1/2	17/32	22-3/16	17-7/16	40-1/4	15-15/16	474
30	3500	286TSC	12-3/4	12-3/4	7	5-1/2	11	17/32	22-3/16	17-7/16	40-1/4	15-15/16	496
40	3500	324TSC	14-1/2	14	8	6-1/4	10-1/2	21/32	24-7/16	19-3/16	42	16-15/16	617
50	3500	326TSC	14-1/2	14	8	6-1/4	12	21/32	24-7/16	19-3/16	42	16-15/16	726
60	3500	364TSC	16-1/2	14-1/2	9	7	11-1/4	21/32	25-1/16	19-3/16	44-1/4	17-15/16	867
75	3500	365TSC	16-1/2	14-1/2	9	7	12-1/4	21/32	25-1/16	19-3/16	44-1/4	17-15/16	893

MATERIAL SPECIFICATIONS

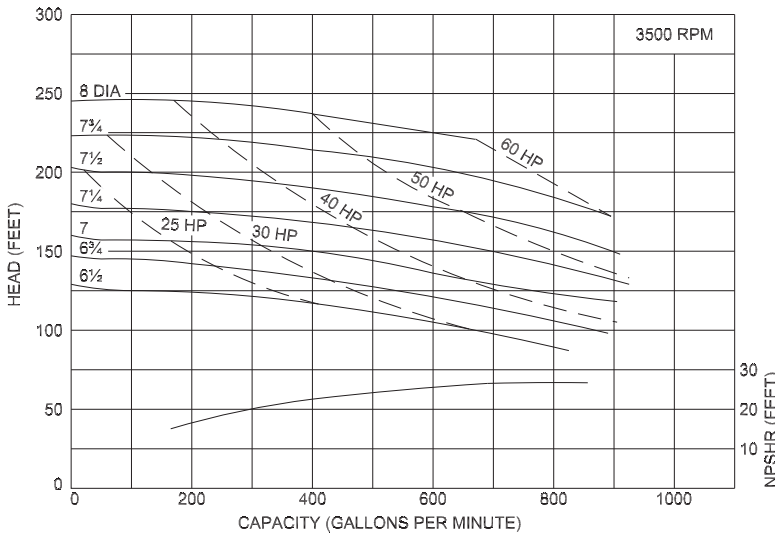
PART NAME	STAINLESS STEEL
Casing	316L Stainless
Backplate, Impeller, Stub Shaft	316 Stainless
Adapter	304 Stainless



Ampco Centrifugal Pumps

MODEL IC+ 4410 6X4

Curves show approximate characteristics
based on clear 68° water.
Rated point is guaranteed.



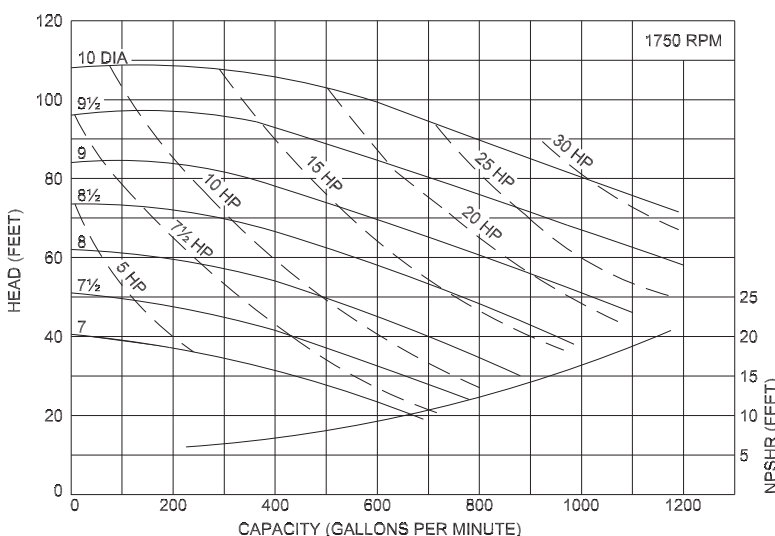
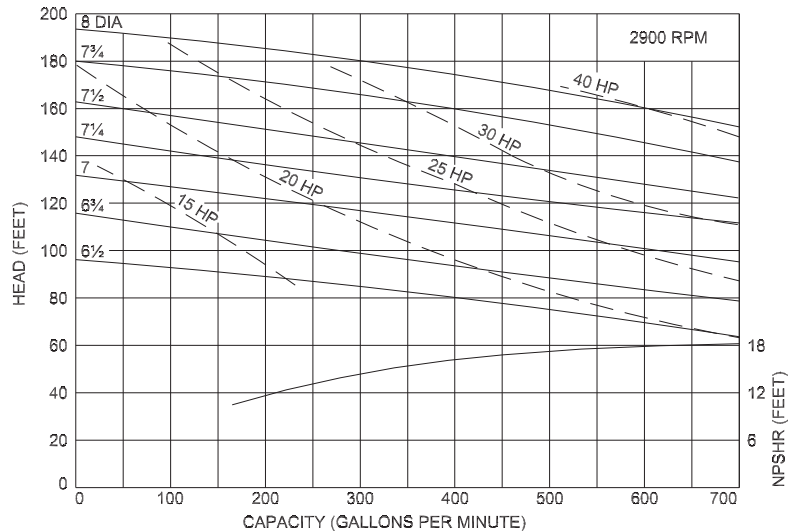
IC+ Series pumps have standard NPT connections.

Flange connections are optional.

IC+ pumps are constructed of 316L stainless steel
with a glass beaded finish.

The standard IC+ mechanical seal is a Type 21
with a ceramic seat, carbon rotating element.
Buna-N elastomers and 316 SS metalics.

Contact the factory for other seal
material options.



Ampco Pumps Company

2045 West Mill Road
Glendale, Wisconsin 53209

PHONE (414) 643-1852

FAX (414) 643-4452