

Fluid-o-Tech pump-motor unit TSFR series



The TMFR series and its innovative concept of a completely integrated unit evolves into a larger flow rate unit: the TSFR series. Especially designed for those applications where many hours of operation are required, the TSFR is designed to handle up to 1000 l/h on a continuous duty base. The electro-magnetic drive grants absence of friction and high efficiency.

The evolution of the electronic controller into an intelligent unit, allows the option of a continuous ramp speed control between 1100 and 3500 rpm where the speed of acceleration may be precisely varied. External feedback loop allows to choose a

constant pressure or flow rate values independently from the variations of the hydraulic conditions.

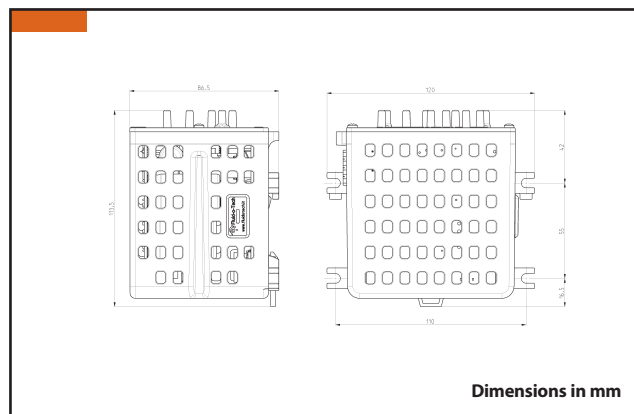
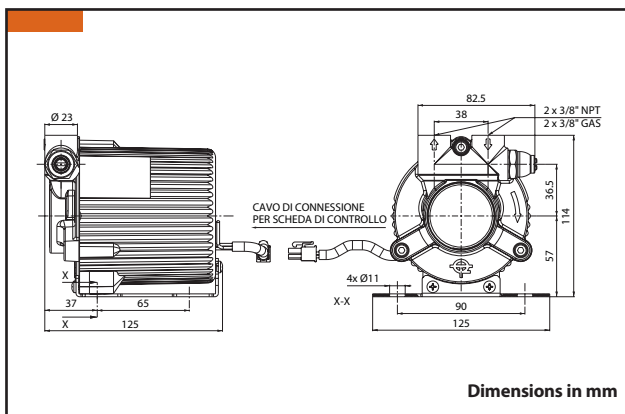
The versatility of this product opens new horizons to high technology systems.

The housing and the rotor are in AISI 303 stainless steel, while the pumping chamber is in graphite. Elastomers are available in NBR, Viton® or EPDM.



Main characteristics

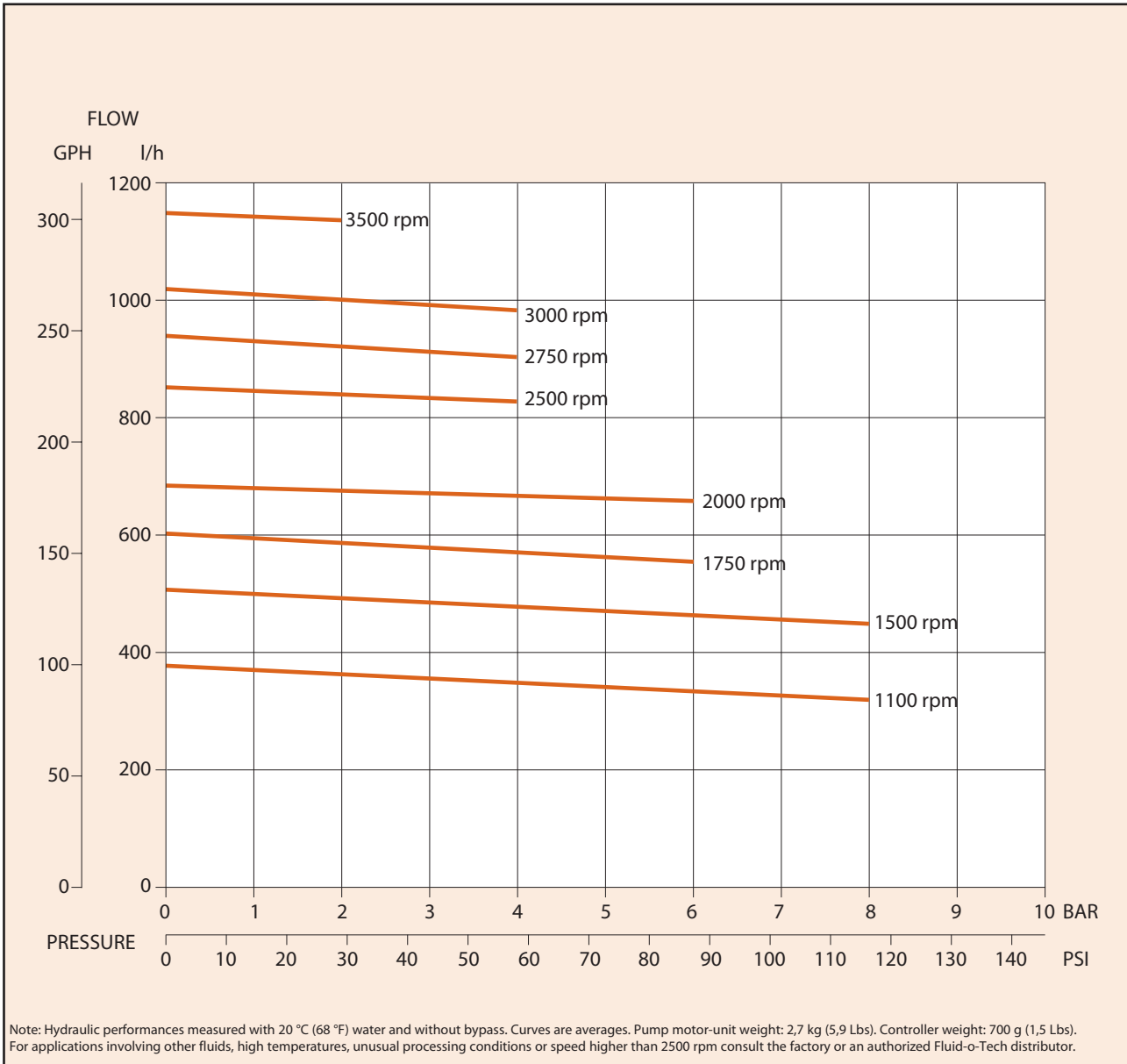
- Compact size
- Electro-magnetic drive
- No wear on the motor
- High efficiency
- Analogue input for continuous speed control
- 49 dB (A) at 1100 rpm
- Available in 230 V; 110 V; 50/60 Hz
- Speed Control by opto-coupled technology available
- Continuous duty
- Low operative temperature



Main applications		
• Post mix	• Solar heating	
• Welding	• Circuit washing	
• Cooling	• Refrigerating gas transfer	

Electrical characteristics	
Voltage [VAC]	108-120/208-240 at 50/60 Hz
Speed range [rpm]	500 - 3500
Absorbed power [W]	400 max
Actual power [W]	250 max
Motor IP Protection	IP33 (Upon request IP44)
Controller IP Protection	IP20

MODEL TSFRSS (Stainless Steel)	400	401
Bypass	NO	STD



Fluid-o-Tech reserves the right to alter the specifications indicated in this catalogue at any time and without prior notice.

TSFR – 04/10 Ed.

Fluid-o-Tech srl
Via Leonardo da Vinci, 40
20094 Corsico, Milano, Italy
Tel. +39 02 8917071
Fax +39 02 89170799

Fluid-o-Tech Int'l Inc.
161 Atwater St.,
Plantsville CT (USA) 06479
Tel. +1 (860) 276-9270
Fax +1 (860) 620-0193

Fluid-o-Tech Int'l Inc. Japan
203, 2-17-19, Ebara, Shinagawa
Tokyo 142-0063, Japan
Tel. +81 (0) (3) 3783-9660
Fax +81 (0) (3) 3783-9661

Fluid-o-Tech Asia (Beijing) Co., Ltd
Jingwei Industrial Zone,
Beifang Huairou, Beijing, 101400, PRC
Tel. +86 (0) (10) 61684650
Fax +86 (0) (10) 61684651