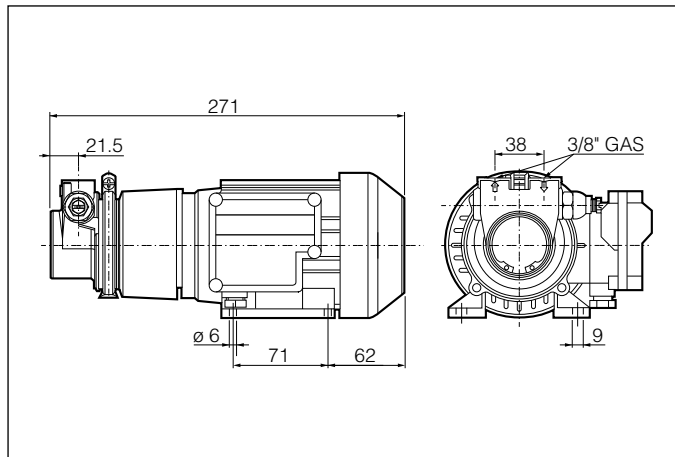


Fluid-o-Tech magnetic drive rotary vane pumps TMC3-TMC4 AC pump/motor units

TMC3



The Fluid-o-Tech magnetic drive rotary vane pumps combine the established range of pumps with the added advantage of an indirect magnetic coupling:

- longer service life
- no mechanical seals
- totally sealed body
- low maintenance
- less power consumption
- smooth transmission
- self priming

The principle of the magnetic drive comprises an inner magnet embodied in the pump and connected to the rotor, and an outer magnet which is connected to the motor shaft.

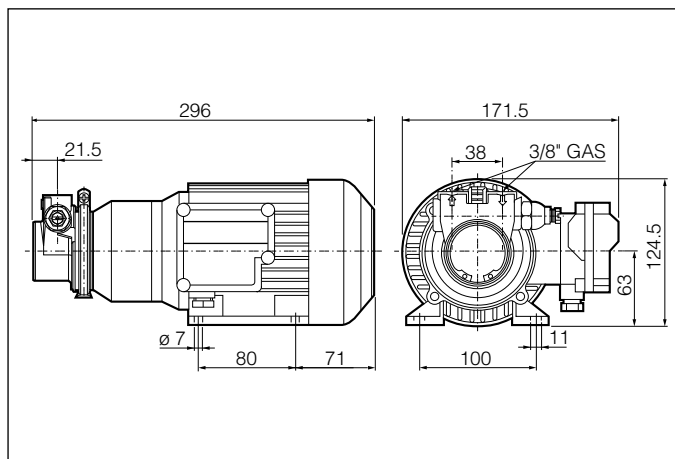
The pole-to-pole alignment of the two magnets provides the driving motion to the pump.

Decoupling occurs when the pump load exceeds the coupling torque between the magnets.

The Rotoflow TM Series magnetic drive rotary vane pumps are housed in stainless steel AISI 303 or brass bodies, with carbon graphite internal components.

- 3/8" GAS or NPT threaded ports
- Standard or balanced relief valve
- NBR, EPDM or Viton seals

TMC4



Electrical motor characteristics

Drive type	6910000	6910160
Voltage (V)	230 AC	230 AC
Frequency (Hz)	50	50
Poles	2	2
Rated speed (rpm)	2610	2840
Current consumption (A)	1.22	1.40
Output power	110	180



NSF listed pumps available for potable water.
Add suffix "A" after the last character.

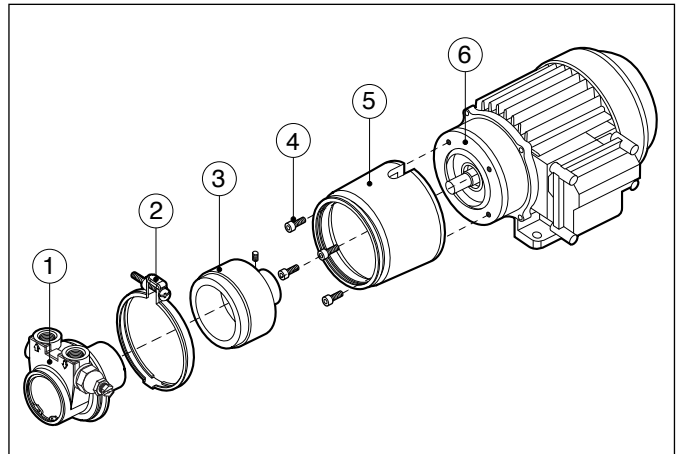
- Max size solid particles: 20 μ
- Max system pressure: 18 Bar (260 psi)
- Max temperature: 60° C (140 F)



Fluid-o-Tech magnetic drive rotary vane pumps

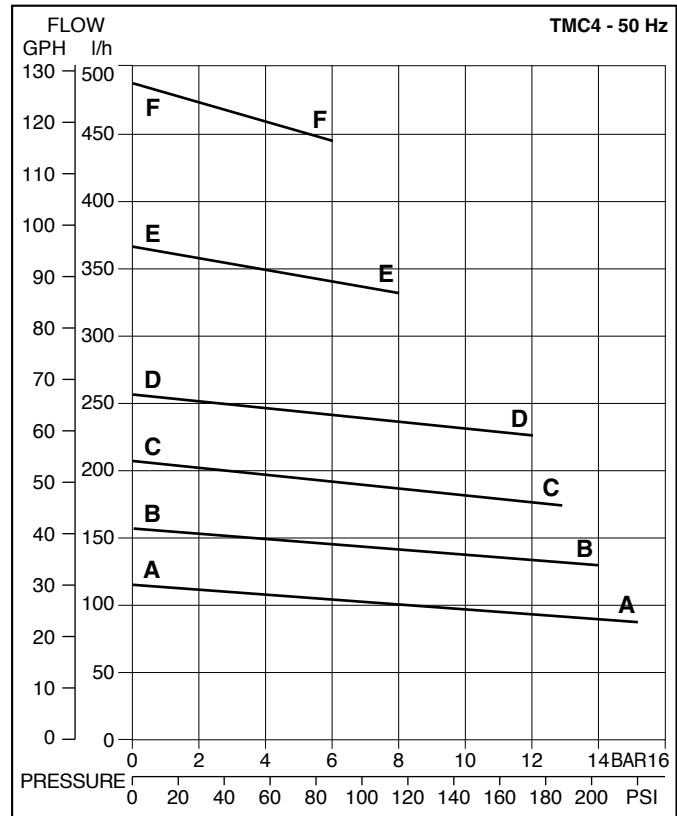
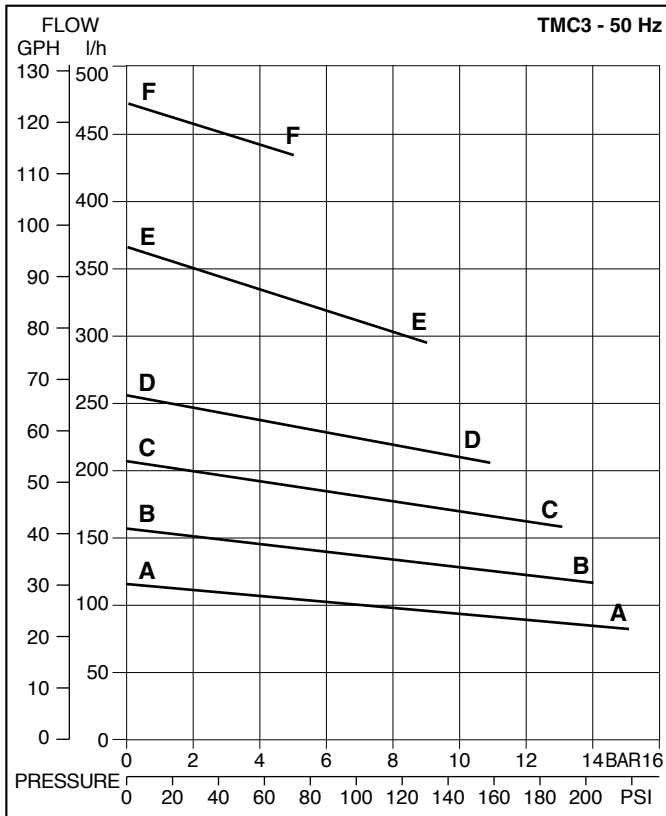
TMC3-TMC4 AC pump/motor units

MODEL	By-Pass	Body	Figure
TMSS030	NO	STAINLESS STEEL	A-A
TMSS050			B-B
TMSS070			C-C
TMSS100			D-D
TMSS150			E-E
TMSS200			F-F
TMSS031	STANDARD	STAINLESS STEEL	A-A
TMSS051			B-B
TMSS071			C-C
TMSS101			D-D
TMSS151			E-E
TMSS201			F-F
TMOT030	NO	BRASS	A-A
TMOT050			B-B
TMOT070			C-C
TMOT100			D-D
TMOT150			E-E
TMOT200			F-F
TMOT031	STANDARD	BRASS	A-A
TMOT051			B-B
TMOT071			C-C
TMOT101			D-D
TMOT151			E-E
TMOT201			F-F
TMOT034	BALANCED	BRASS	A-A
TMOT054			B-B
TMOT074			C-C
TMOT104			D-D
TMOT154			E-E
TMOT204			F-F



Pos.	Description	TMC3 (3350060)	TMC4 (3350070)
1	TM series pump	-	-
2	Clamp	3350270	3350270
3	Driving magnet (includes 1 set screw)	3350000	3350010
4	Screw M5x12	6350230	6350230
5	Adapter	6350110	6350160
6	Driver	6910000	6910160

Specify pump model when ordering the unit



Note: Characteristics with water at 20°C and without by-pass - Use filter before pump inlet not larger than 20 microns



Fluid-o-Tech srl

20143 Milano - Via Morimondo, 23 - Tel. (39) 02 8917071 - Fax 02 89170799 - <http://www.fluidotech.it>

TMC3-4 - 02 00 ED