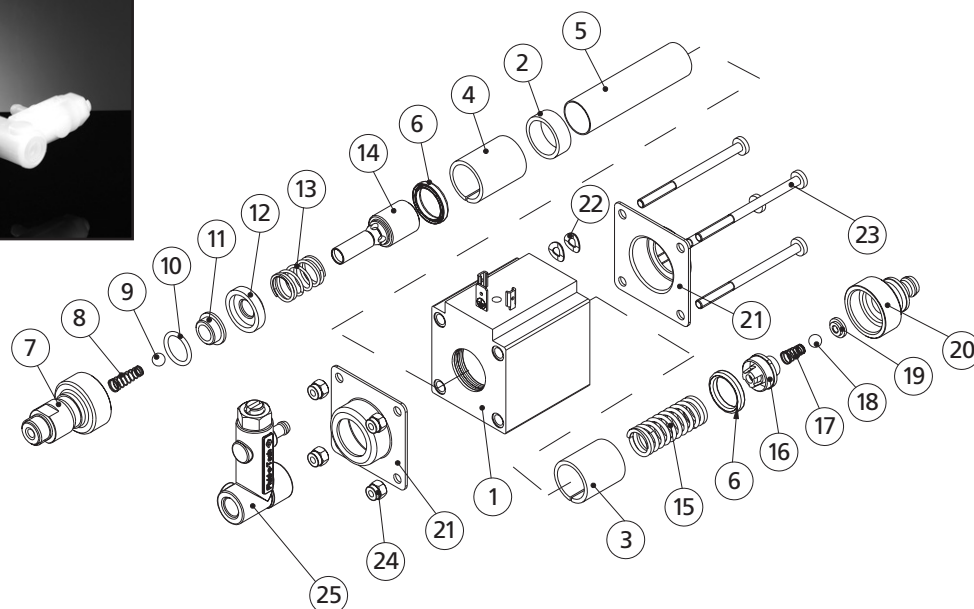


Syrup oscillating piston pumps spare parts list



POS.	DESCRIPTION	MATERIAL	CODE	NOTES
1	TYPE B COIL		23037	BL assembly 220 V - 50 Hz
			23078	BF assembly 110 V - 50/60 Hz
2	SPACE	PLASTIC	23046	
3	POLAR EXPANSION	IRON	23499	
4	POLAR EXPANSION	IRON	23502	
5	PISTON GUIDE	PLASTIC	23354	
6	PISTON GUIDE GASKET	EPDM	23319	
7	PRESSURE OUTLET	PLASTIC	23560	
8	PISTON SPRING	S.S.	23541	
9	BALL VALVE	EPDM	23460	7/32"
10	O-RING	NBR	23563	
11	PISTON GUIDE INSERT	PTFE	22562	
12	INSERT	PLASTIC	23323	
13	BUMPER SPRING	S.S.	23539	
14	PISTON	S.S.	23569	
15	MAIN SPRING	S.S.	23542	
16	BALL HOUSING	PLASTIC	23149	
17	SPRING	S.S.	23540	
18	BALL VALVE	GLASS	23097	7/32"
19	ANTI BACK-FEEDING SEAL	SILICONE	23294	
20	INLET HOSE FITTING	PLASTIC	23366	Barbed int. Ø 8 mm tube
21	FLANGE	S.S.	23336	
22	WASHER	S.S.	23584	4.3 UNI 8840/B
23	SCREW	S.S.	23345	M4x60 UNI 7687
24	NUT	IRON	23074	M4 UNI 7474
25	FLOW REGULATOR	PLASTIC	R1N	

Fluid-o-Tech reserves the right to alter the specifications indicated in this catalogue at any time and without prior notice.

SPARES - SYRUP - 12/08 Ed.