

Fluid-o-Tech Duplex oscillating piston pumps



The Duplex oscillating piston pump is one of a range of oscillating pumps of compact size which embodies design excellence coupled with outstanding performances and reliability.

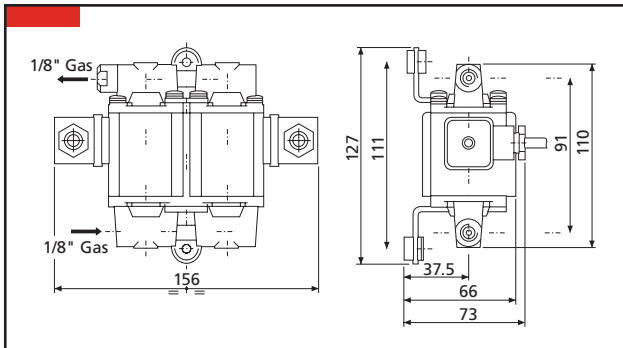
The Duplex pump designed for pumping liquids, operates on the oscillating piston principle.

Motion occurs when the coil is energized with unidirectional impulses created by an alternating current passing through a diode.

Technical features and manufacturing characteristics

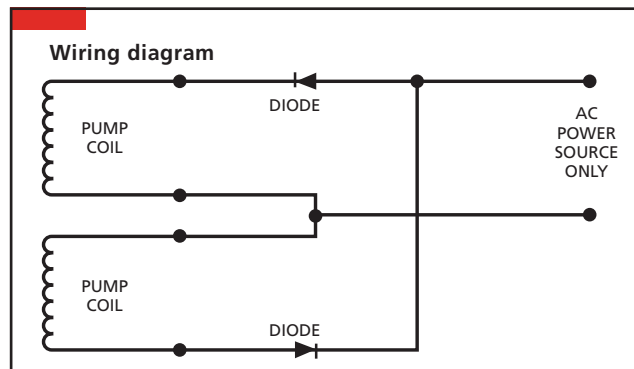
The Duplex pump is brass made with threaded female 1/8" inlet and outlet ports, while the ball valves are in glass/EPDM. The piston working inside a brass tube is in stainless steel.

The pump may be mounted in any orientation on shock absorbing supports for the quieter operation.



Electrical characteristics		
Voltage	220/240 V	100/110 V
Frequency	50 Hz	50/60 Hz
Power	140 W	
Current	1.6 A at 220 V/50 Hz	2.7 A at 110 V/60 Hz

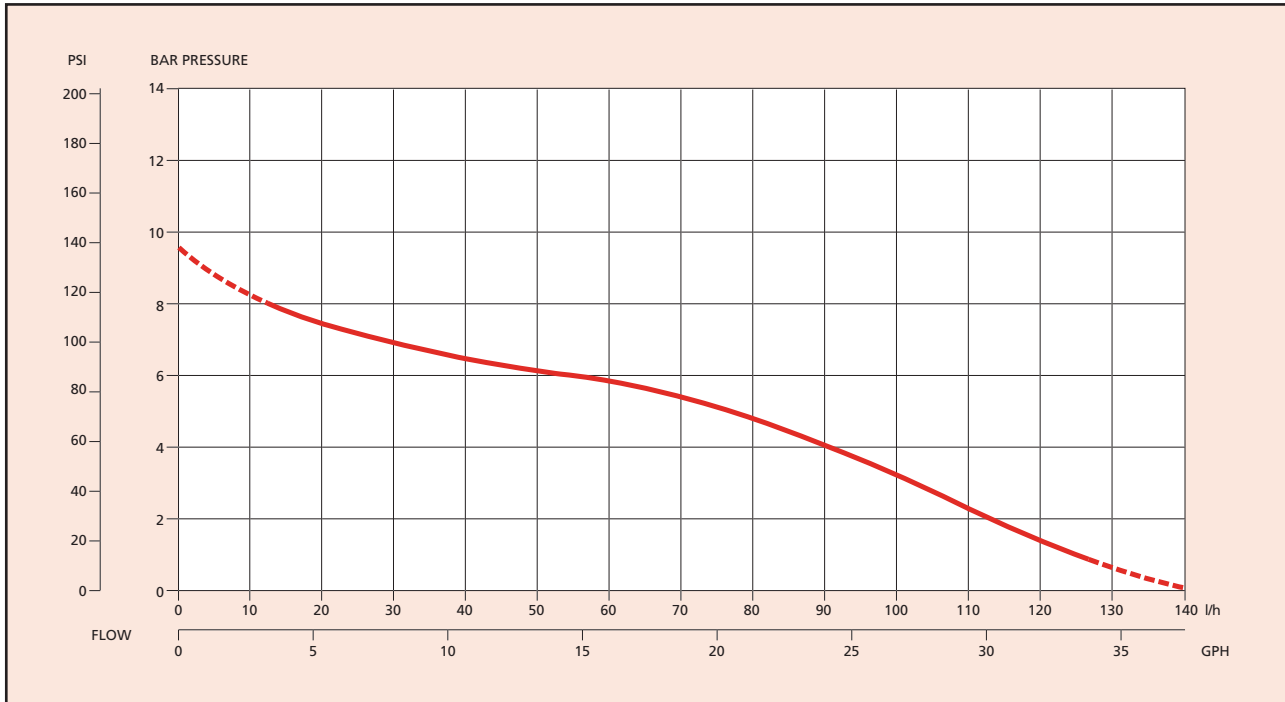
Main applications	
• Beverage vending machines	• Water carbonators
• Post-mix drink dispensers	• Ultra-filtration
• Reverse osmosis	



Diode wiring diagram to follow when the pump is supplied without plug

Fluid-o-Tech Duplex oscillating piston pumps

MODEL	VOLTAGE (V)	FREQUENCY (Hz)	CURRENT CONSUMPTION (A)
4008 PAAL M3N 00C1	220/240	50	1.6
4008 PAAF M3N 00C1	100/110	50/60	2.7



Note: Pump weight: 1,7 kg (3,8 Lbs).

Fluid-o-Tech reserves the right to alter the specifications indicated in this catalogue at any time and without prior notice.

VIP-DUPLEX – 03/09 Ed.

Fluid-o-Tech srl
Via Leonardo da Vinci, 40
20094 Corsico, Milano, Italy
Tel. +39 02 8917071
Fax +39 02 89170799

Fluid-o-Tech Int'l Inc.
161 Atwater St.,
Plantsville CT (USA) 06479
Tel. +1 (860) 276-9270
Fax +1 (860) 620-0193

Fluid-o-Tech Int'l Inc. Japan
203, 2-17-19, Ebara, Shinagawa
Tokyo 142-0063, Japan
Tel. +81 (0) (3) 3783-9660
Fax +81 (0) (3) 3783-9661

Fluid-o-Tech Asia (Beijing) Co., Ltd
Jingwei Industrial Zone,
Beifang Huairou, Beijing, 101400, PRC
Tel. +86 (0) (10) 61684650
Fax +86 (0) (10) 61684651