

Fluid-o-Tech Magnet Drive Gear Pumps MGK200-MGK300 series



to complete the existing MG200 series with improved performances in terms of flow rate, pressure, capability to handle high viscosity fluids and a wider offer of materials to suit most applications, from the food to the industrial and chemical markets. The housing of the pump and the internal metal parts are available in AISI 303, AISI 316L or SAF 2205. The gears are available in PTFE or Peek™. The driving magnet, available in Ferrite or in rare earths, is capable to drive the pump at high pressure. The quality of the materials of the assembled components allows handling of fluids with temperatures up to 120 °C (248 °F).

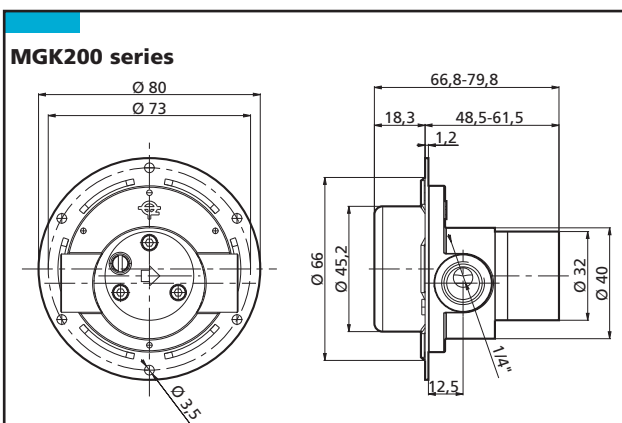
The pulsation-free and noiseless operation is the result of precision gears accurately assembled and balanced within the housing combined with the magnetic coupling which grants the perfect alignment. The Sanitary design makes this pump series the preferred candidate for use in medical applications where trouble-free products are needed.

Main Applications

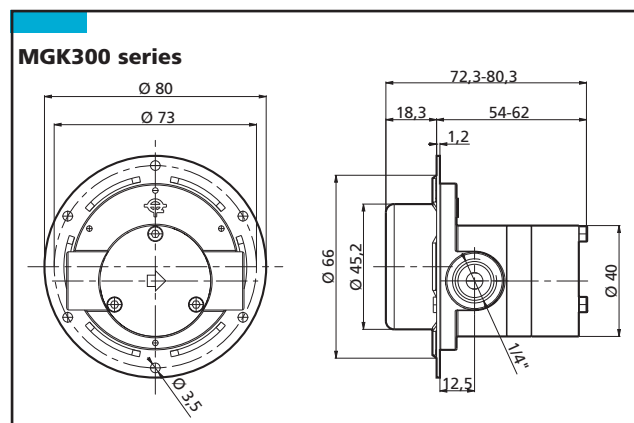
- Medical and surgical equipment
- Hemodialysis apparatus
- Seal flush
- Laser apparatus
- Lubrication
- Ink-jet printing systems
- Cooling systems
- Laboratory instrumentation
- Water purification and ultra-filtration
- Sampling
- Food processing equipment

The MGK200, MGK300 and MGK300 High Viscosity series pumps are designed

- Self priming
- 1/4" F GAS or NPT ports
- Temperature range:
PTFE -45 to 50 °C / -49 to 122 °F
peek™ -45 to 120 °C / -49 to 248 °F
- Max system pressure: 20 bar/290 psi
- Relief valve available for MGK200 series only



Max pump weight: 720 g



Fluid-o-Tech reserves the right to alter the specifications indicated in this catalogue at any time and without prior notice

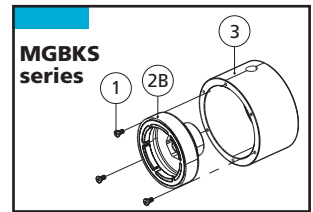
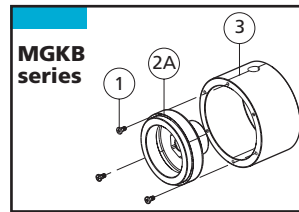
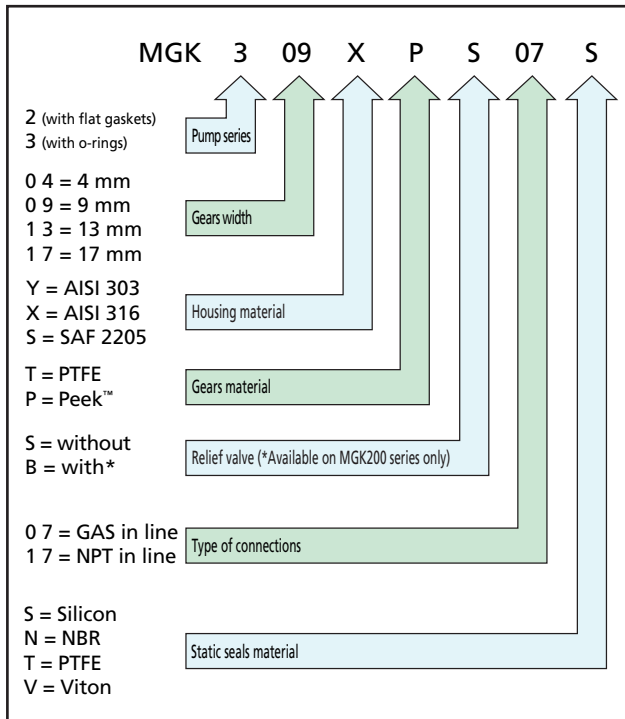


Via Morimondo, 23
20143 Milano - Italy
Tel. (39) (02) 8917071
Fax (39) (02) 89170799

161 Atwater St.,
Plantsville CT (USA) 06479
Tel. (1) (860) 276-9270
Fax (1) (860) 620-0193

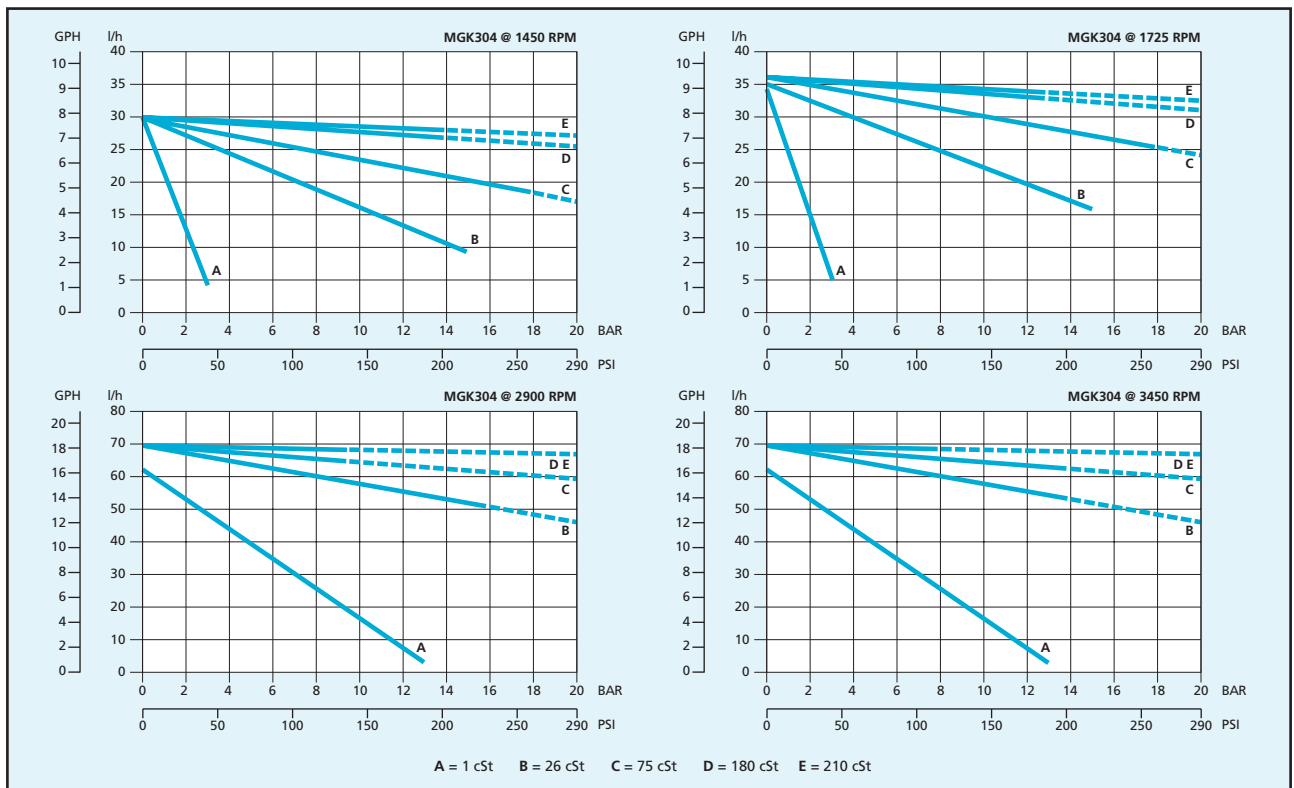
203, 2-17-19, Ebara, Shinagawa
Tokyo 142-0063, Japan
Tel. (81) (0) 3-3783-9660
Fax (81) (0) 3-3783-9661

Fluid-o-Tech Magnet Drive Gear Pumps MGK200-MGK300 series



Pos.	Model	Description	Code
1	-	M3 X 6 AISI 304 Screw	6210030
2A (ferrite)	MGKA09	9 mm bore	1250150
	MGKA11	11 mm bore	1250110
	MGKA5/8"	5/8" bore	1250230
2B (rare earth)	MGKAS09	9 mm bore magnet	1250180
	MGKAS11	11 mm bore magnet	1250200
	MGKAS5/8"	5/8" bore magnet	1250240
3	60310	M56 B14 Adapter	6230580
	60326	M63 B14 Adapter	6230590
	60488	Nema 56C Adapter	6230790
1+2A+3	MGKB56-09	Assy M56-B14-LG12/9	3230230
	MGKB63-11	Assy M63-B14-LG12/11	3230240
	MGKB56C-5/8"	Assy Nema 56C-LG12/5/8"	3230620
1+2B+3	MGKB556-09	Assy M56-B14-LGN6/9 6P	3230630
	MGKB563-11	Assy M63-B14-LGN6/11 6P	3230590
	MGKB556C-5/8"	Assy Nema 56C-LGN6/5/8" 6P	3230640

MGK304 - Performance curves at different viscosities



— Operating range with ferrite magnet
- - - Operating range with rare earth magnet

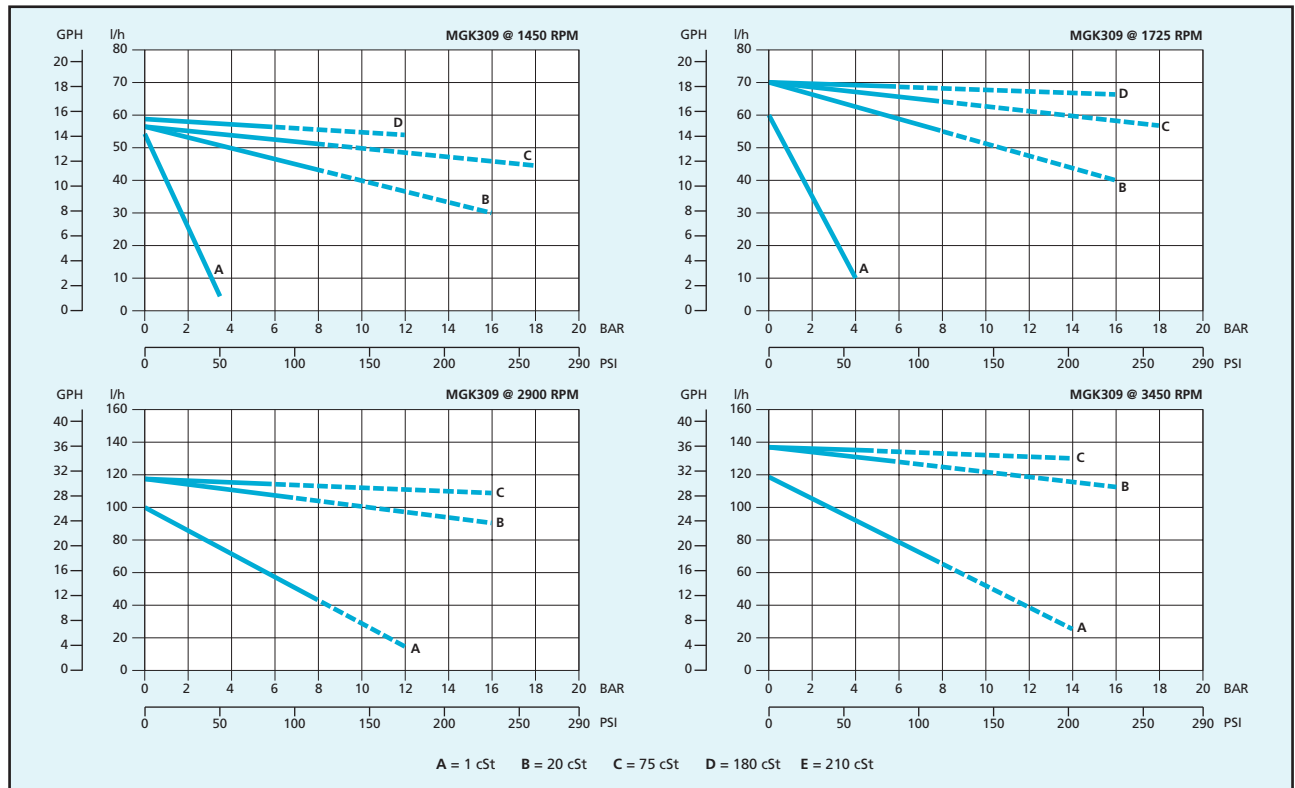


Via Morimondo, 23
20143 Milano - Italy
Tel. (39) (02) 8917071
Fax (39) (02) 89170799

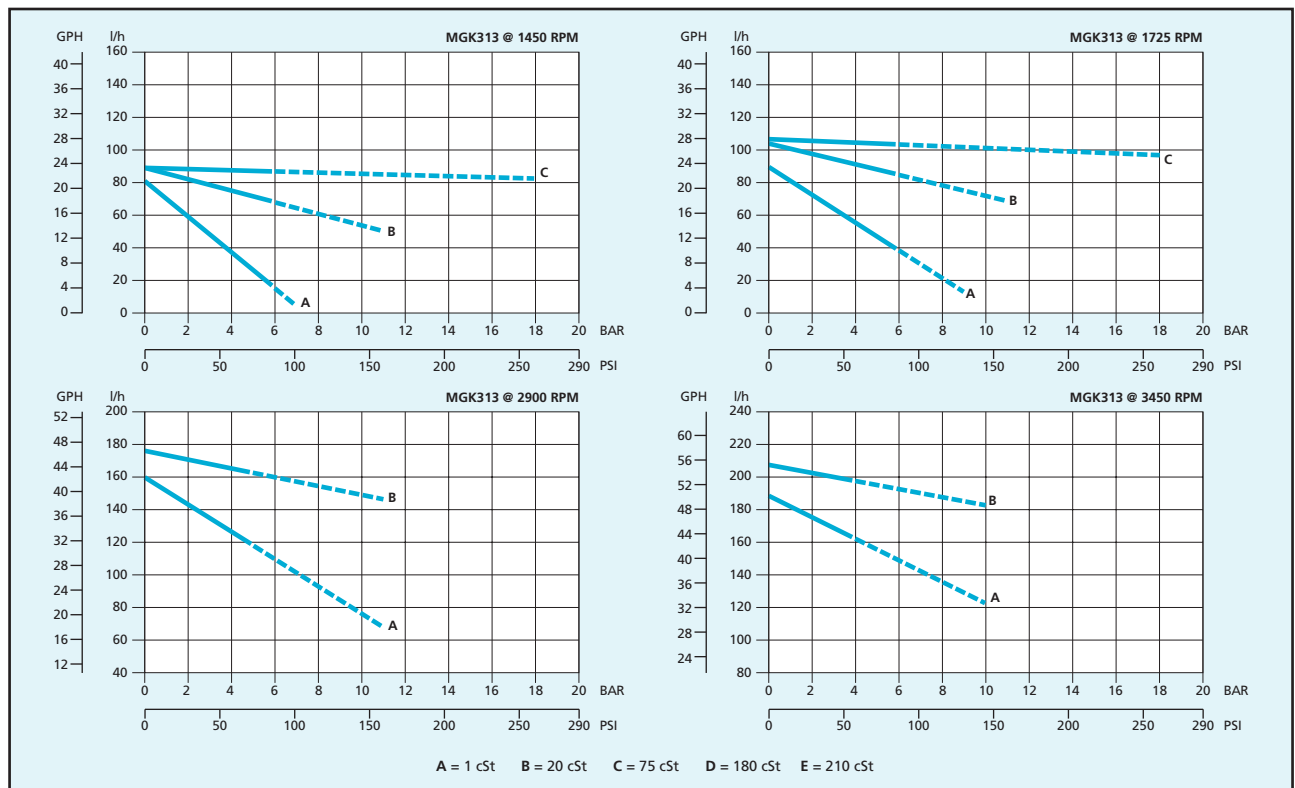
161 Atwater St.,
Plantsville CT (USA) 06479
Tel. (1) (860) 276-9270
Fax (1) (860) 620-0193

203, 2-17-19, Ebara, Shinagawa
Tokyo 142-0063, Japan
Tel. (81) (0) 3-3783-9660
Fax (81) (0) 3-3783-9661

MGK309 - Performance curves at different viscosities

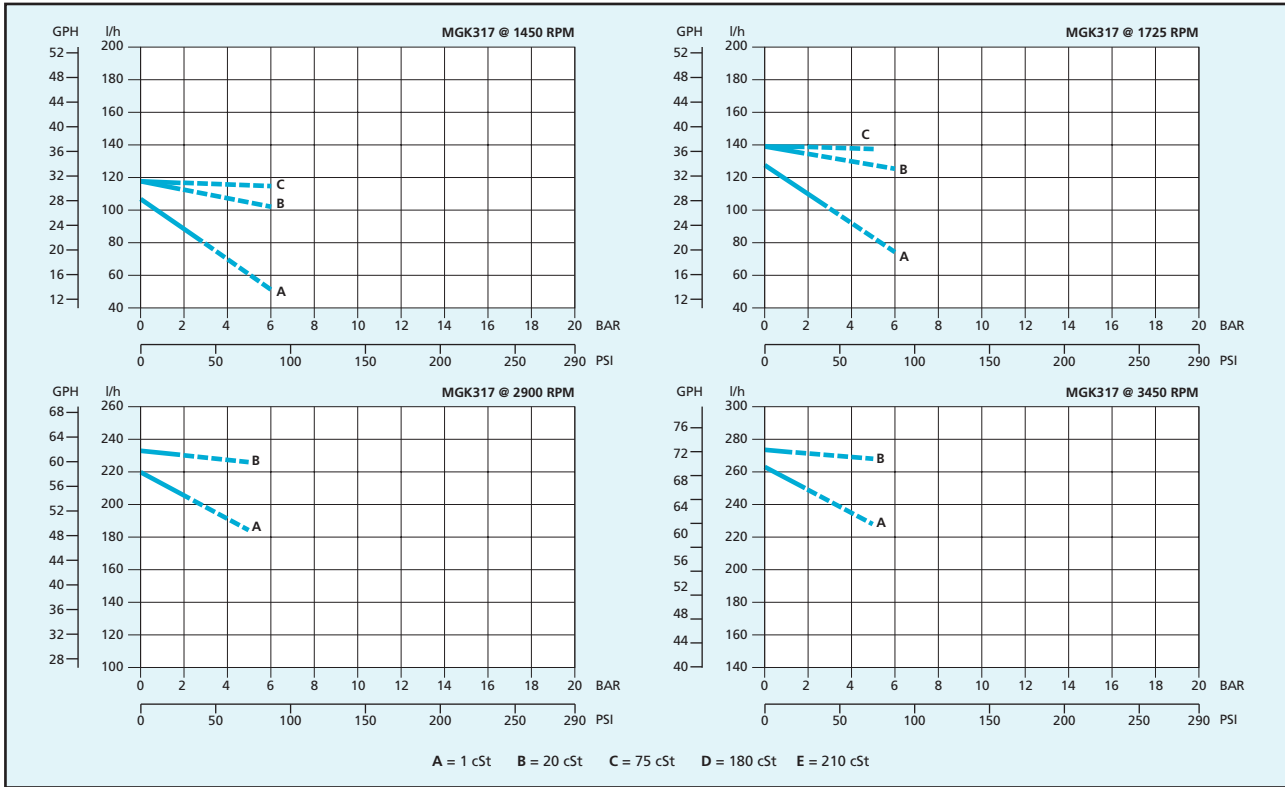


MGK313 - Performance curves at different viscosities

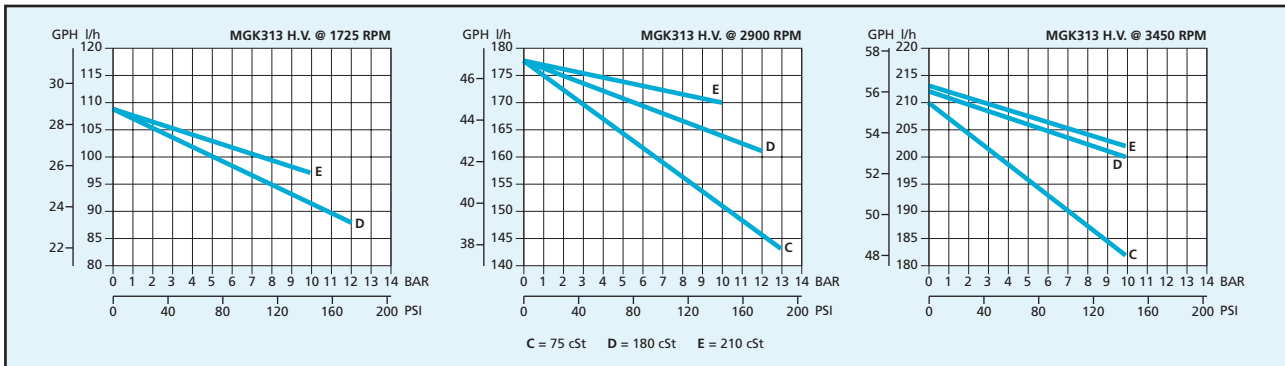


— Operating range with ferrite magnet
 - - - Operating range with rare earth magnet

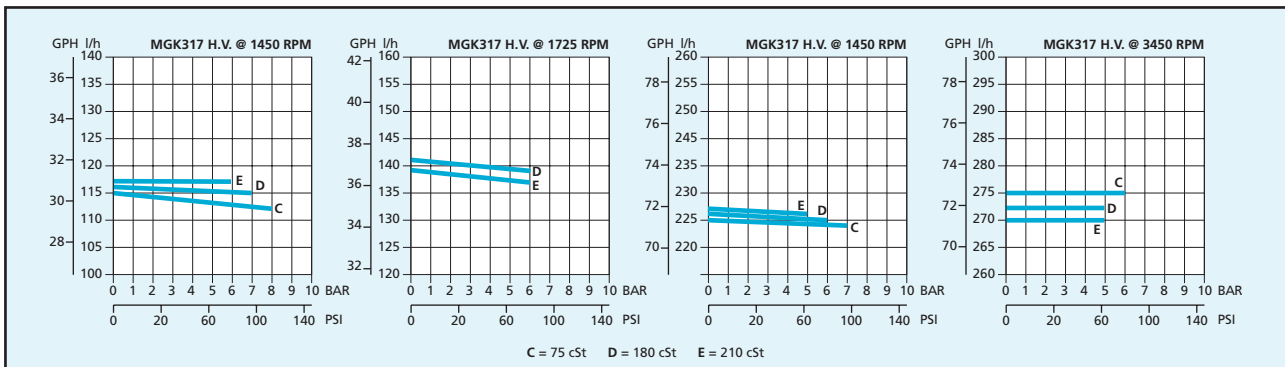
MGK317 - Performance curves at different viscosities



MGK313 High viscosity - Performance curves at different viscosities*



MGK317 High viscosity - Performance curves at different viscosities*



For applications involving fluids different from water, high temperatures or unusual processing conditions, please consult the factory or an authorized Fluid-o-Tech distributor
 *Note: The inlet pipe diameter must be at least 10 mm

MGK - 09/04 Ed.



Via Morimondo, 23
 20143 Milano - Italy
 Tel. (39) (02) 8917071
 Fax (39) (02) 89170799

161 Atwater St.,
 Plantsville CT (USA) 06479
 Tel. (1) (860) 276-9270
 Fax (1) (860) 620-0193

203, 2-17-19, Ebara, Shinagawa
 Tokyo 142-0063, Japan
 Tel. (81) (0) 3-3783-9660
 Fax (81) (0) 3-3783-9661