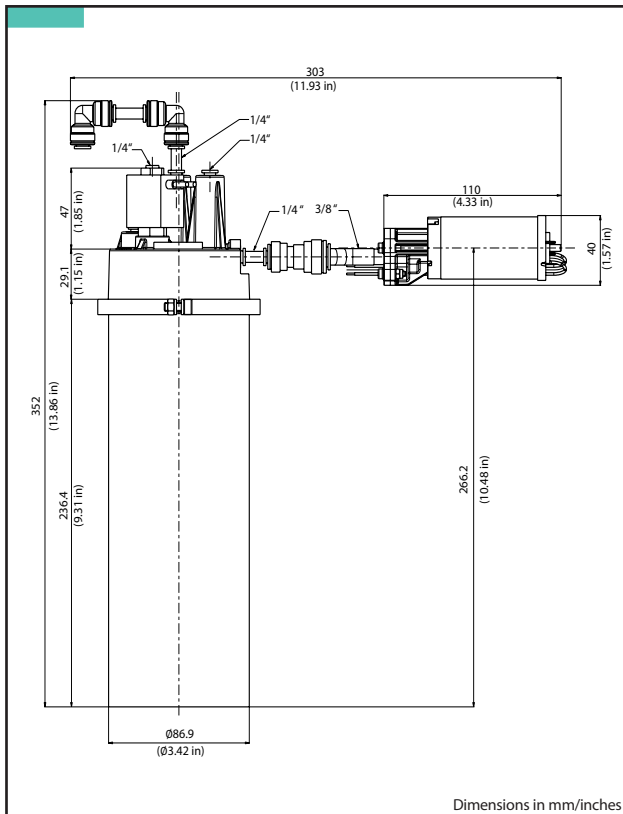


F-Soda water carbonation system



F-Soda is a self contained device designed to carbonate water and to be easily integrated in an appliance not necessarily born for this purpose. The advantage, thanks to the specific design, to work at low pressure, grants higher safety and reliability standards compared to similar products using the existing technology. F-Soda is simple to use and it reaches high levels of carbonation, which is possible to set by using the CO₂ pressure regulator. F-Soda is equipped with an integrated circuit board for controlling the various functions.



Main Applications

- Point of use
- Vending machines
- Post-mix
- Soda dispensers
- Home dispensers

Product Characteristics

Available volume	1 l with the 1.29 l tank
Refill time	90"
Standard saturation level	3.4 V gas with water at 6° C/43° F with ΔP min 1 bar/14 psi

Technical Characteristics

Power supply	24 V DC, absorbed current: 50 W
Water supply	2 to 2.5 bar/29 to 36 psi
CO ₂ supply	3 to 3.5 bar/43 to 51 psi
Overall dimensions	Height 430 mm, width 146 mm for the 1.29 l tank
Water temperature	4 to 8° C/40 to 47° F

F-Soda en – 10/10 Ed.

Fluid-o-Tech srl
 Via Leonardo da Vinci, 40
 20094 Corsico, Milano, Italy
 Tel. +39 02 8917071
 Fax +39 02 89170799

Fluid-o-Tech Int'l Inc.
 161 Atwater St.,
 Plantsville CT (USA) 06479
 Tel. +1 (860) 276-9270
 Fax +1 (860) 620-0193

Fluid-o-Tech Int'l Inc. Japan
 203, 2-17-19, Ebara, Shinagawa
 Tokyo 142-0063, Japan
 Tel. +81 (0) (3) 3783-9660
 Fax +81 (0) (3) 3783-9661

Fluid-o-Tech Asia (Beijing) Co., Ltd
 Jingwei Industrial Zone,
 Beifang Huairou, Beijing, 101400, PRC
 Tel. +86 (0) (10) 61684650
 Fax +86 (0) (10) 61684651