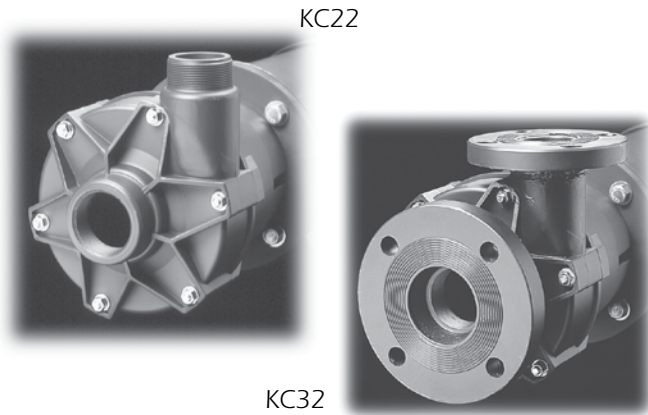


KC Series

MAGNETIC SEALLESS PUMPS

KC22 & 32 Sealless* Centrifugal Pumps 3.0 to 10 HP (1.5 to 7.5 kW)

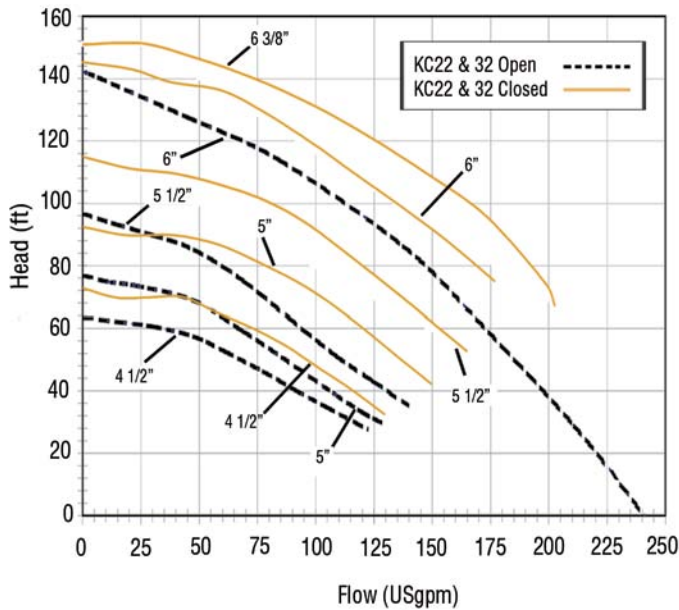


Features

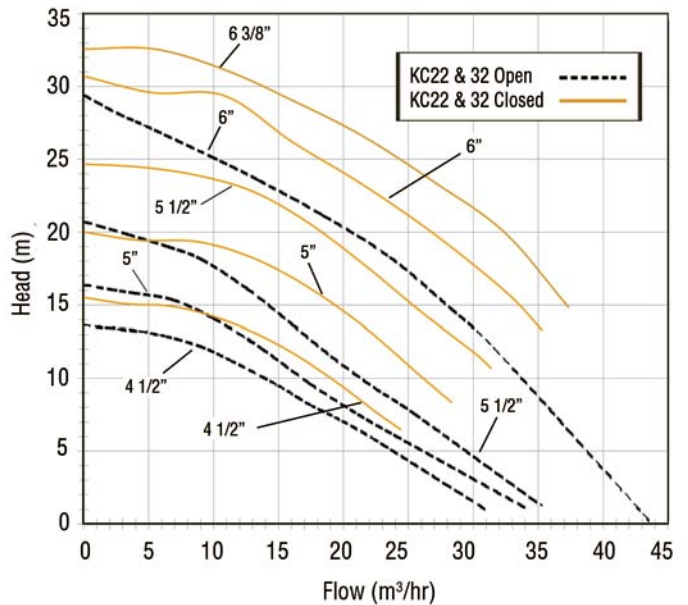
- 10-minute run-dry capability with carbon bushing
- Polypropylene (P) or PVDF (V)
- Excellent chemical resistance
- Accepts standard NEMA 184TC, 213TC or IEC 90, 100, 112 motor frames
- NPT or BSP threads or flanged connections
- Rugged cantilevered ceramic spindle
- Service friendly back pull-out design
- Up to 1.8 specific gravity
- 50 cP maximum viscosity
- Open and closed impeller options

Performance

60 Hz, 3450 rpm - KC22 & 32, Open & Closed Impellers



50 Hz, 2900 rpm - KC22 & 32, Open & Closed Impellers



Specifications

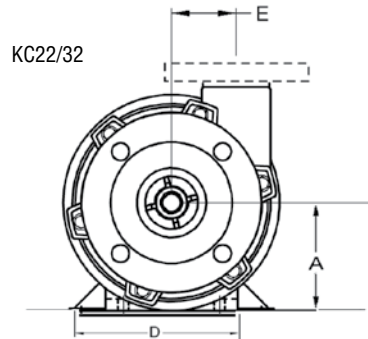
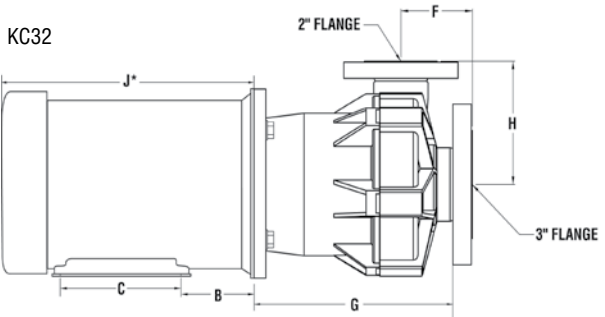
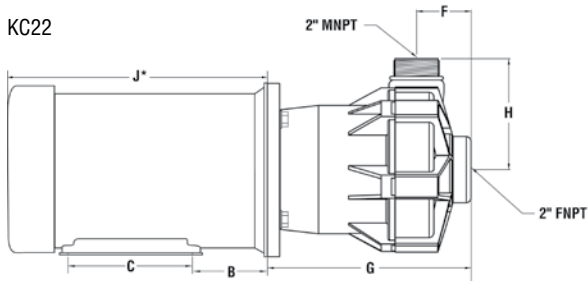
Open Impeller

| MODEL (CONSTRUCTION) | SUCTION DISCHARGE | IMPELLER SIZE | | MAX. FLOW | | MAX. HEAD | | MOTOR DRIVE | | MAX. S.G. @ 50 cps |
|-------------------------|----------------------|---------------|------|-----------------|--------------------------------|----------------|---------------|----------------|----------------|--------------------------|
| | | inch | cm | 3450 rpm gpm | 2900 rpm m ³ /hr | 3450 rpm ft | 2900 rpm m | 3450 rpm hp | 2900 rpm kw | |
| KC22/3245 (P, V) | 2" FNPT | 4.5 | 11.5 | 180 | 32.7 | 63 | 13.6 | 3.0 - 5.0 | 1.5 - 2.2 | 1.8 |
| KC22/3250 (P, V) | 2" MNPT | 5.0 | 12.7 | 200 | 36.2 | 77 | 16.4 | 5.0 - 7.5 | 2.2 - 4.0 | 1.8 |
| KC22/3255 (P, V) | 3" Flange | 5.5 | 14.0 | 205 | 37.1 | 97 | 20.7 | 5.0 - 7.5 | 2.2 - 4.0 | 1.8 |
| KC22/3260 (P, V) | 2" Flange | 6.0 | 15.2 | 241 | 43.8 | 142 | 29.4 | 7.5 - 10.0 | 4.0 - 5.5 | 1.3 |

Closed Impeller

| MODEL (CONSTRUCTION) | SUCTION DISCHARGE | IMPELLER SIZE | | MAX. FLOW | | MAX. HEAD | | MOTOR DRIVE | | MAX. S.G. @ 50 cps |
|-------------------------|----------------------|---------------|------|-----------------|--------------------------------|----------------|---------------|----------------|----------------|--------------------------|
| | | inch | cm | 3450 rpm gpm | 2900 rpm m ³ /hr | 3450 rpm ft | 2900 rpm m | 3450 rpm hp | 2900 rpm kw | |
| KC22/3245 (P, V) | 2" FNPT | 4.5 | 11.5 | 129 | 24.4 | 73.1 | 15.5 | 3.0 - 5.0 | 1.5 - 3.0 | 1.8 |
| KC22/3250 (P, V) | 2" MNPT | 5.0 | 12.7 | 149 | 28.3 | 92.4 | 20.0 | 5.0 - 7.5 | 3.0 - 4.0 | 1.8 |
| KC22/3255 (P, V) | 3" Flange | 5.5 | 14.0 | 165 | 31.4 | 115.1 | 24.7 | 5.0 - 7.5 | 3.0 - 4.0 | 1.8 |
| KC22/3260 (P, V) | 2" Flange | 6.0 | 15.2 | 193 | 35.3 | 141.8 | 30.7 | 7.5 - 10.0 | 4.0 - 5.5 | 1.3 |
| KC22/3263 (P,V) | | 6.375 | 16.2 | 201 | 37.3 | 150.7 | 32.6 | 7.5 - 10.0 | 4.0 - 5.5 | 1.0 |

Dimensions Close Coupled



With NEMA TEFC Motors (Inches)

| MODEL | MOTOR FRAME | A | B | C | D | E | F | G | H | J* |
|-------|-------------|-------|-------|-------|-------|---------|---------|----------|---------|----------|
| KC22 | 184TC | 4-1/2 | 2-3/4 | 5-1/2 | 7-1/2 | 2-11/16 | 2-11/16 | 10-11/16 | 5-15/16 | 13-15/16 |
| | 213TC | 5-1/4 | 3-1/2 | | 8-1/2 | | | 11-3/16 | | 15-9/16 |
| KC32 | 184TC | 4-1/2 | 2-3/4 | 5-1/2 | 7-1/2 | 2-11/16 | 3-5/8 | 11-1/2 | 5-15/16 | 13-15/16 |
| | 213TC | 5-1/4 | 3-1/2 | | 8-1/2 | | | 12-1/32 | | 15-9/16 |

With IEC Motors (Millimeters)

| MODEL | MOTOR FRAME | A | B | C | D | E | F | G | H | J* |
|-------|-------------|-----|----|-----|-----|------|------|-------|-------|-----|
| KC22 | 90 | 90 | 56 | 100 | 140 | 68.3 | 68.3 | 261.2 | 150.8 | 292 |
| | 100 | 100 | 63 | | 160 | 68.3 | 68.3 | 255.6 | | 331 |
| | 112 | 112 | 70 | | 190 | | | | | 366 |
| KC32 | 90 | 90 | 56 | 140 | 140 | 68.3 | 92.1 | 285 | 150.8 | 292 |
| | 100 | 100 | 63 | | 160 | 68.3 | 92.1 | 277 | | 331 |
| | 112 | 112 | 70 | | 190 | | | | | 366 |

*Varies with manufacturer



FINISH THOMPSON INC.

921 Greengarden Road • Erie, PA 16501-1591 U.S.A.
Ph 814-455-4478 • Fax 814-455-8518
Email fti@finishthompson.com • www.finishthompson.com

Toll Free USA & CANADA 1-800-934-9384
Literature I.D. No. - FT98-706G, 10/26/09

