

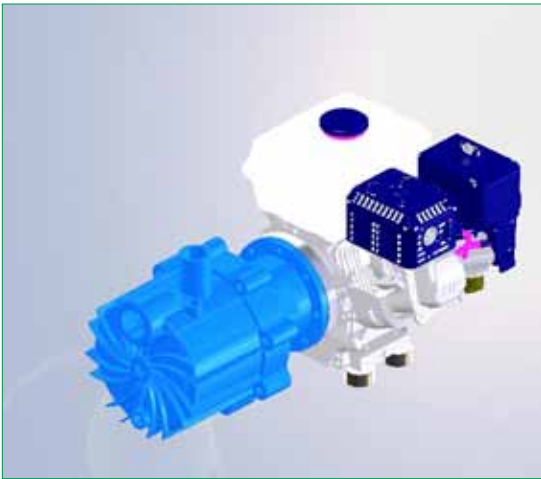


FINISH THOMPSON INC.

DB & SP Series: Gas Engine Option

Available on: DB6-22 & SP10-22

APPLICATIONS - Ideal for environments lacking a traditional source of electricity. The gas engine option powers FTI's high performance DB and SP Series mag drive chemical pumps with a commercial grade Honda gas engine.



SP11 with Gas Engine Option



Gas Engine Option

GAS ENGINE FEATURES

- Honda commercial grade for the ultimate in durability and reliability
- Air cooled, four stroke OHV (overhead valve) single cylinder design
- OHV enhances combustion efficiency and reduces fuel and oil consumption
- Cast iron cylinder
- Electronic ignition, automatic decompression system, and finely tuned carburetor ensures low effort, easy starting
- EPA/CARB compliant
- Oil Alert feature prevents engine damage if oil is low
- 3600 rpm ensures high level of pump performance
- Operates about two hours on a tank of gas
- Three engines make appropriate model selection easy:
 - 2.8 hp (2.1 kW) engine fits DB6-10 and SP 10 models
 - 3.5 hp (2.6 kW) engine fits DB11 and SP11 models
 - 5.5 hp (4.1 kW) engine fits DB15 and SP15 models
 - 11 hp (8.2 kW) engine fits DB22 and SP22 models

PUMP FEATURES:

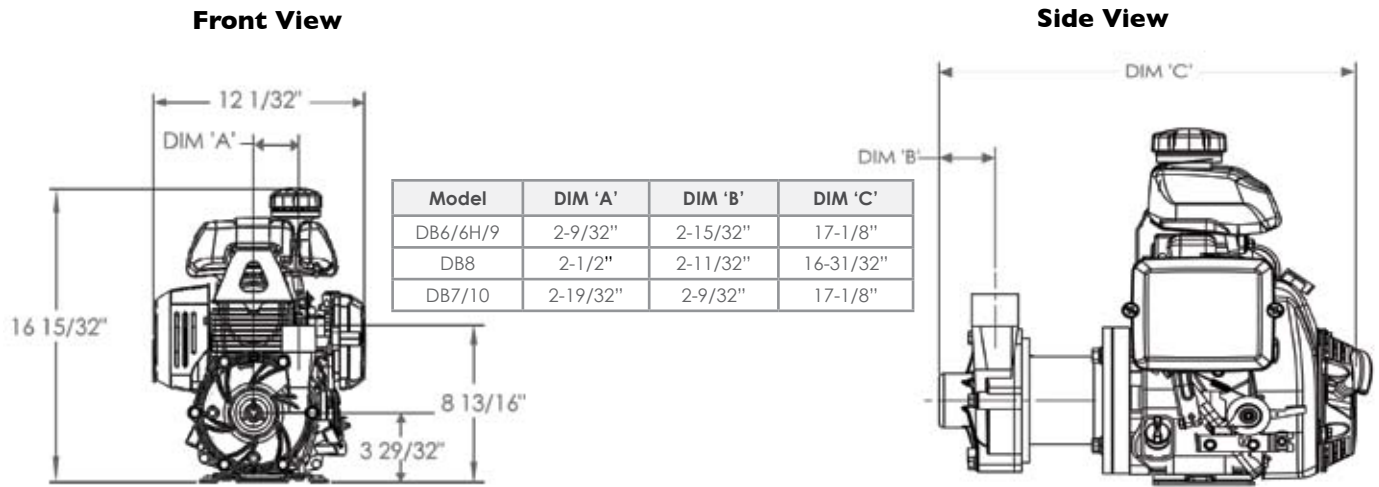
- Sealless mag drive construction
- Five-year warranty
- Corrosion resistant polypropylene or PVDF
- FKM or EPDM elastomers options
- Horizontal (DB Series) or self-priming horizontal (SP Series) models
- Self-priming version provides lift up to 25 feet (7.6 meters) of lift
- Use 3450 rpm curves for impeller selection
- Refer to DB and SP Series technical fliers for additional information

APPLICATIONS:

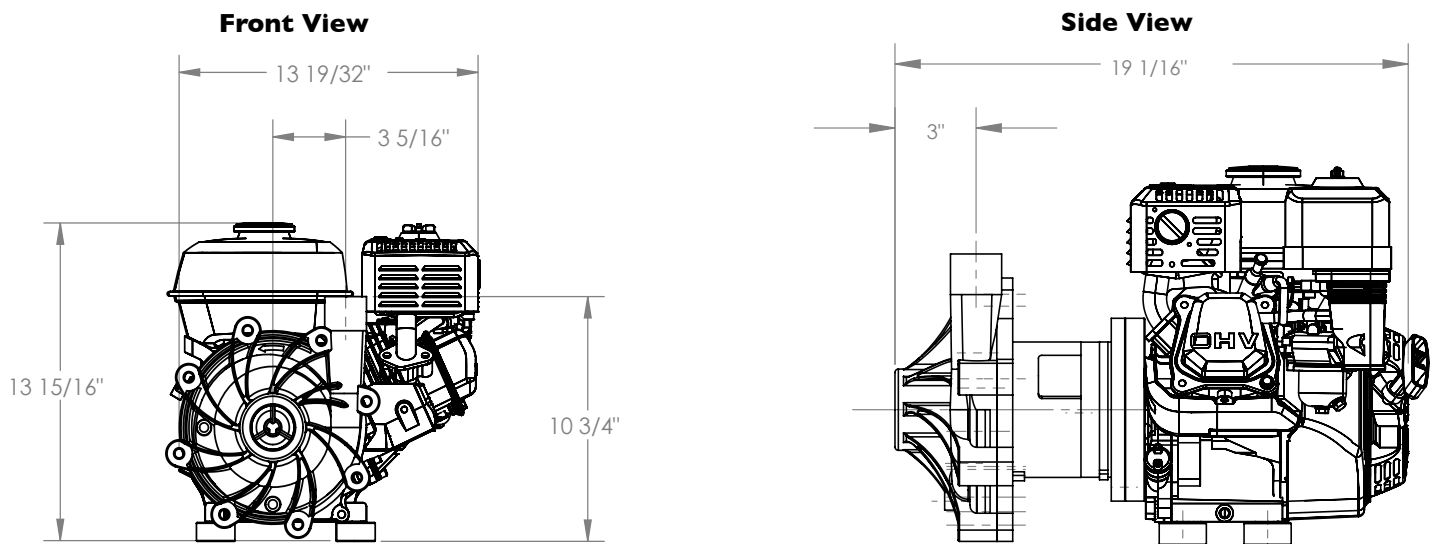
- Chemical delivery trucks
- Emergency backup for containment pits
- Remote railcar unloading
- Chemical transfer in areas with no ready access to electrical power
- Hazmat trucks

DIMENSIONS:

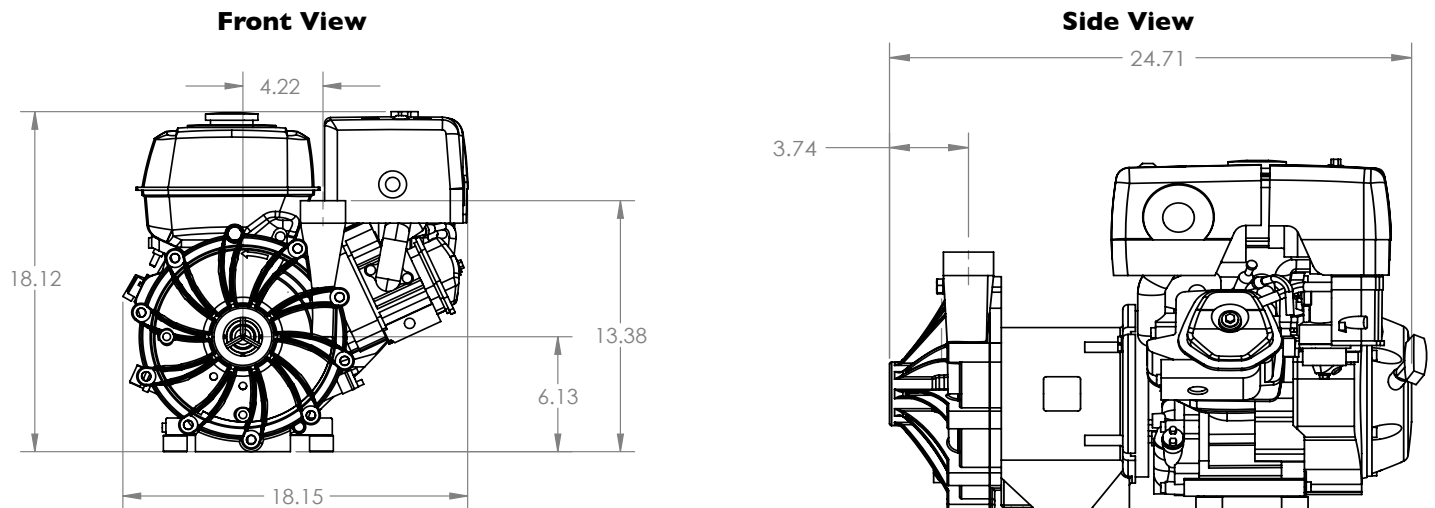
DB10 Installation



DB11/15 Installation



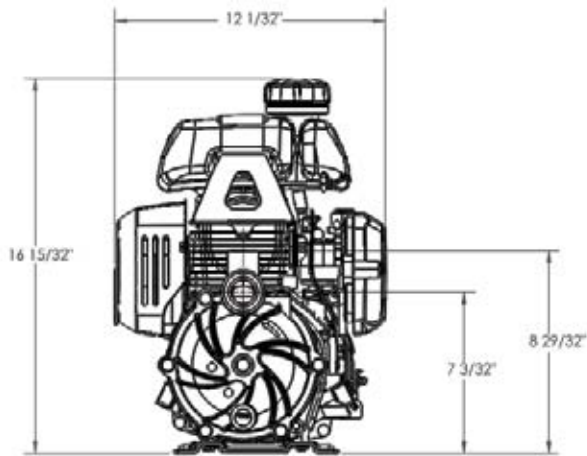
DB22 Installation



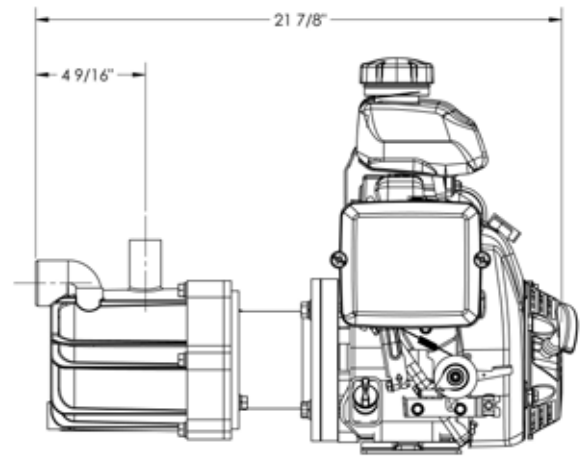
DIMENSIONS:

SP10 Installation

Front View

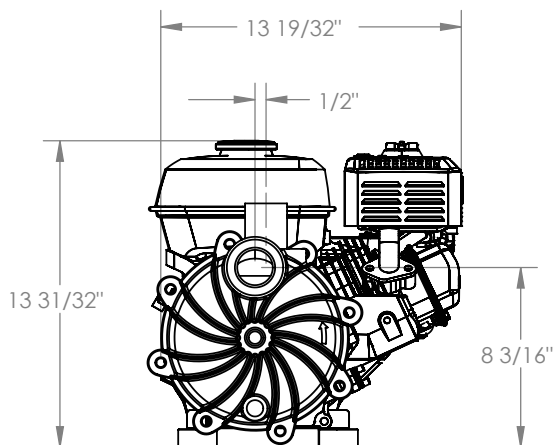


Side View

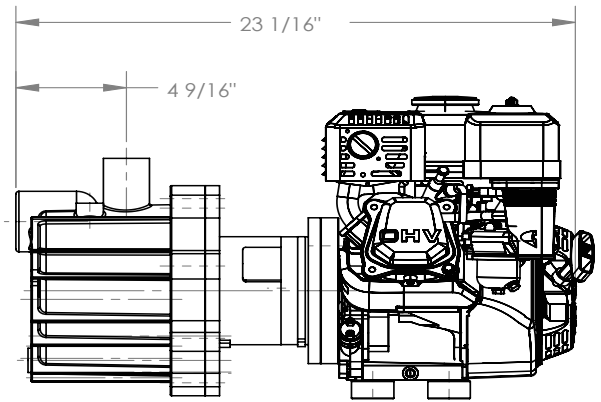


SP11/15 Installation

Front View

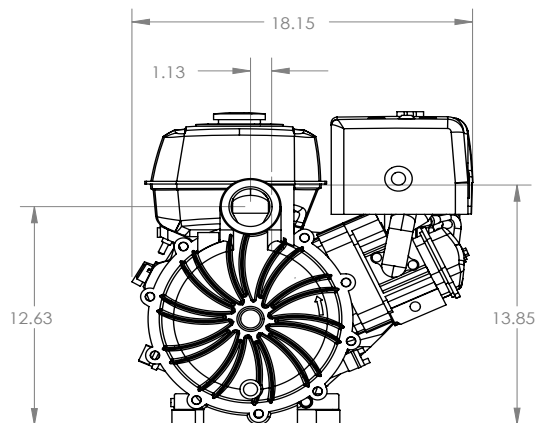


Side View



SP22 Installation

Front View



Side View

